



US00D721906S

(12) **United States Design Patent**
Carver

(10) **Patent No.:** **US D721,906 S**

(45) **Date of Patent:** **** Feb. 3, 2015**

(54) **TABLE WITH POCKET LEGS**

D583,590 S * 12/2008 Ellouz D6/484
2012/0227638 A1* 9/2012 Boda et al. 108/28

(71) Applicant: **Norman L. Carver**, China, MI (US)

* cited by examiner

(72) Inventor: **Norman L. Carver**, China, MI (US)

Primary Examiner — Janice Seeger

(**) Term: **14 Years**

(74) *Attorney, Agent, or Firm* — Reising Ethington P.C.

(21) Appl. No.: **29/447,647**

(57) **CLAIM**

The ornamental design for a table with pocket legs, as shown.

(22) Filed: **Mar. 5, 2013**

DESCRIPTION

(51) **LOC (10) Cl.** **06-03**

(52) **U.S. Cl.**

USPC **D6/691**

(58) **Field of Classification Search**

USPC D6/685, 691, 691.5, 708, 709, 691.8,
D6/688, 688.1; 108/65, 83, 153.1, 156,
108/157.1, 161; 248/188, 188.1

See application file for complete search history.

FIG. 1 is a perspective view of a table;
FIG. 2 is a view that represents each of the four sides of the
table;

FIG. 3 is a top side view of the table;

FIG. 4 is an underside view of the table; and,

FIG. 5 is a sectional view taken along 5-5 on FIG. 2.

In the drawings, portions shown by broken lines form no part
of the claimed design. The front, back, left, and right sides of
the claimed design are identical and represented by FIG. 2.

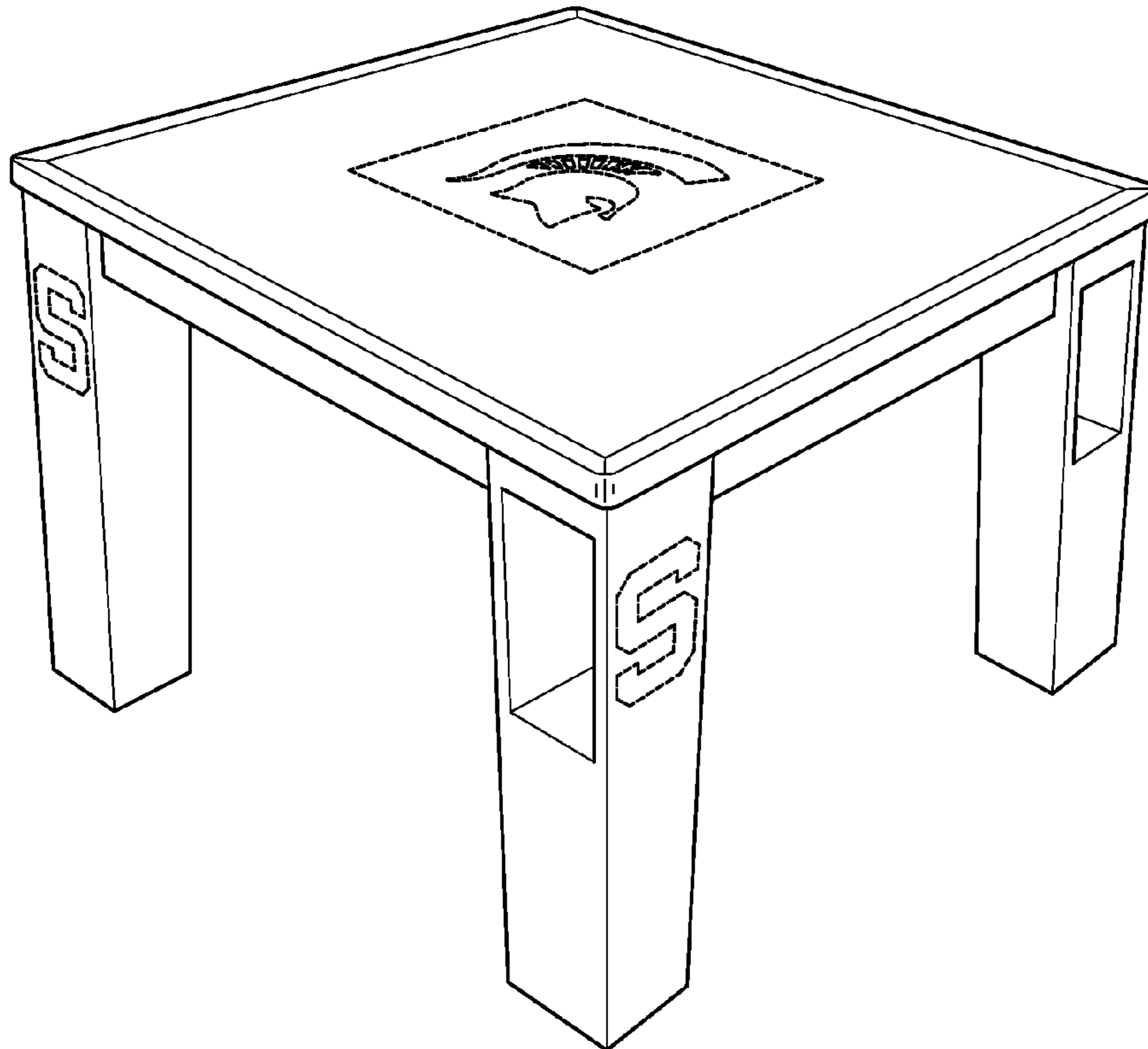
Accordingly, FIG. 5 is a representative view of each of the
four table legs.

(56) **References Cited**

U.S. PATENT DOCUMENTS

D238,133 S * 12/1975 Uebele D6/455
D389,346 S * 1/1998 Schefcik D6/484

1 Claim, 2 Drawing Sheets



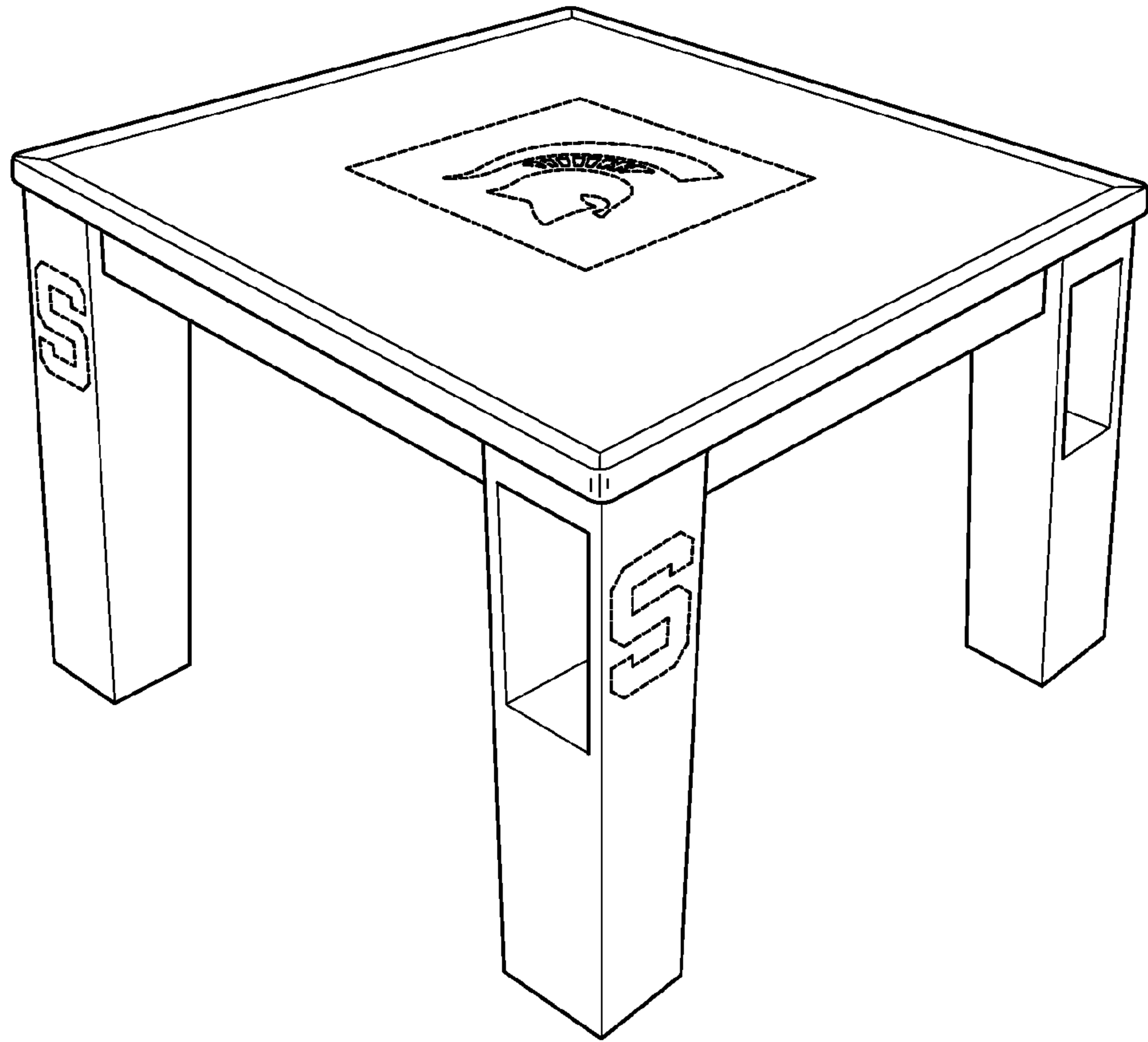


Figure 1

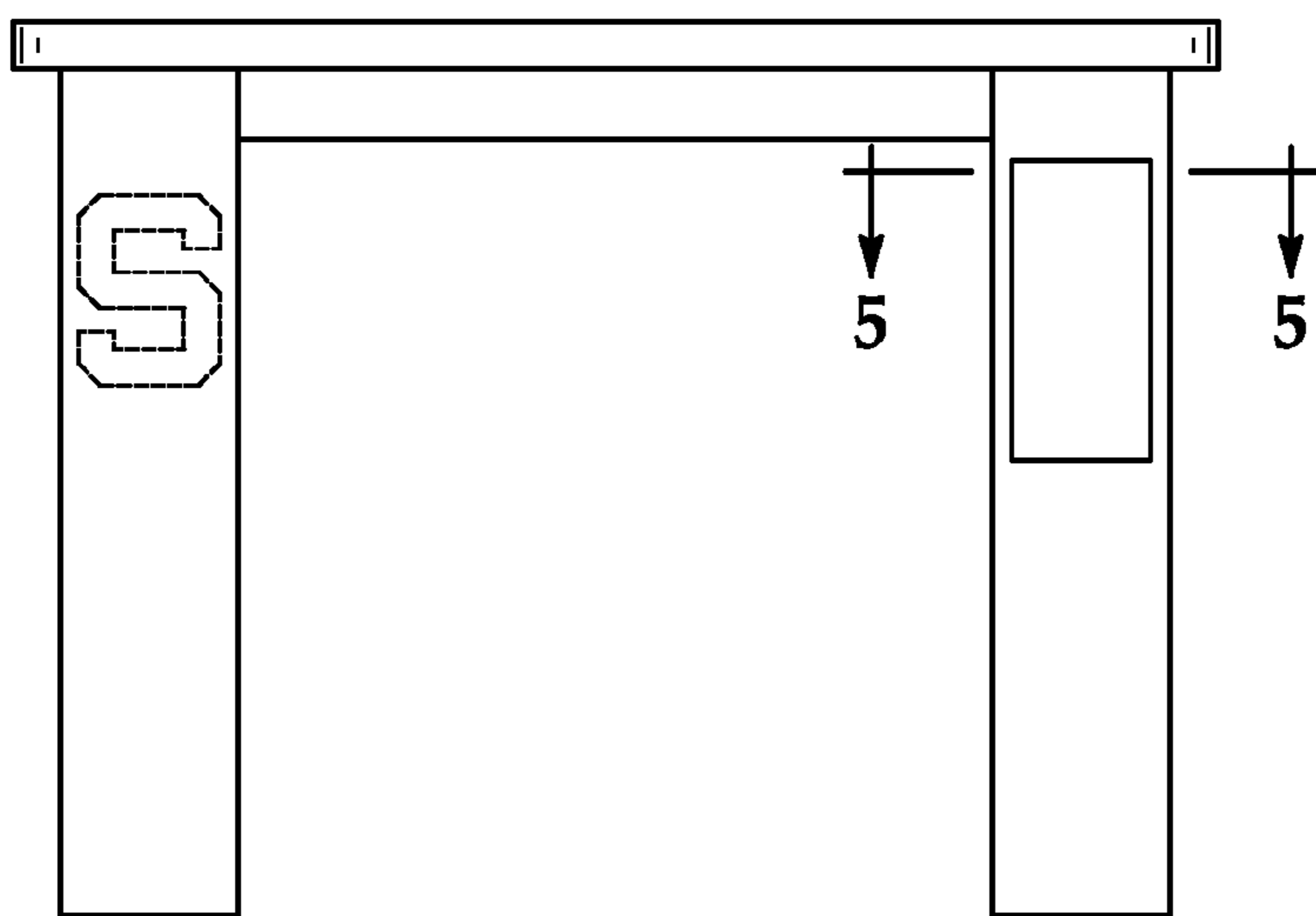


Figure 2

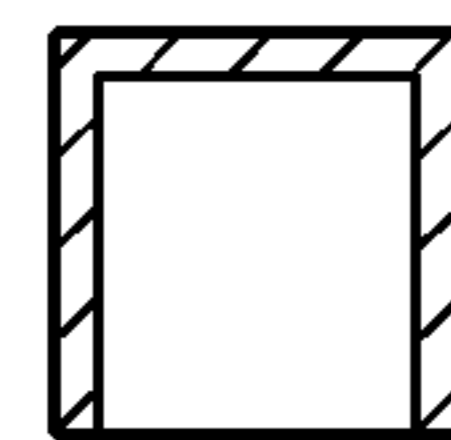


Figure 5

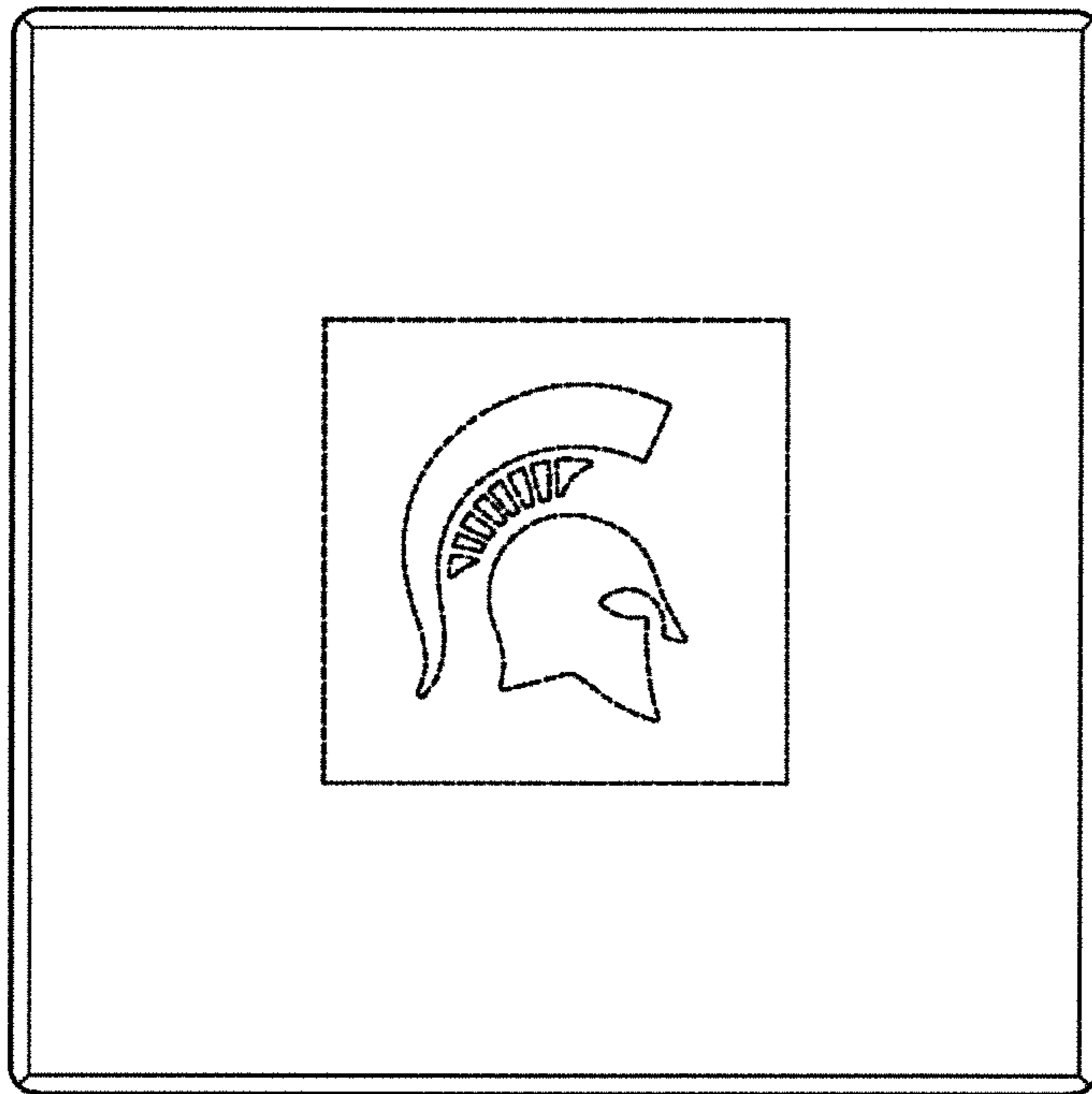


Figure 3

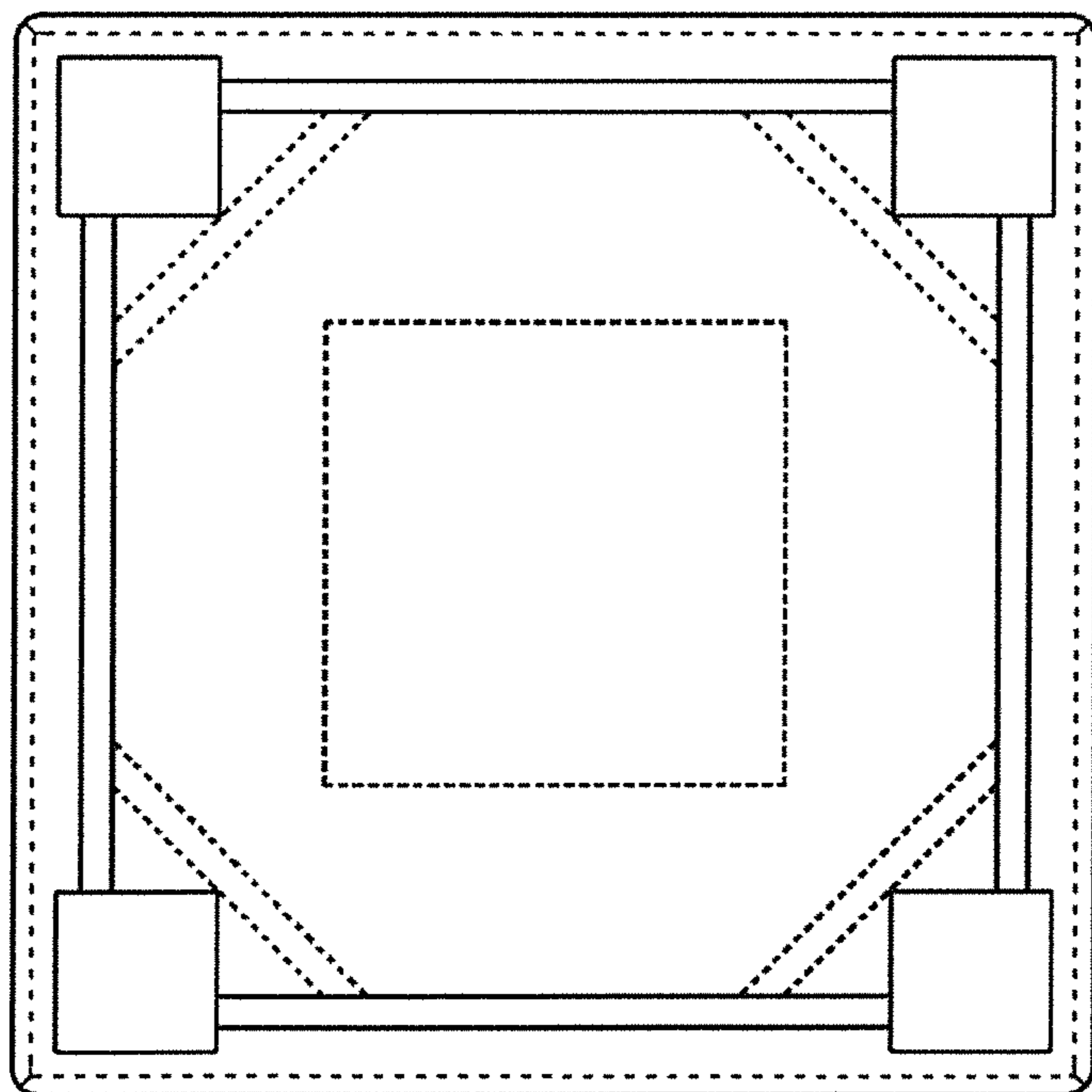


Figure 4