



US00D721900S

(12) **United States Design Patent**
Hildebrant

(10) **Patent No.:** **US D721,900 S**
(45) **Date of Patent:** **** Feb. 3, 2015**

(54) **PORTABLE POTTED PLANT-HANGING TREE**

(71) Applicant: **Roger Hildebrant**, Dunedin, FL (US)

(72) Inventor: **Roger Hildebrant**, Dunedin, FL (US)

(**) Term: **14 Years**

(21) Appl. No.: **29/466,026**

(22) Filed: **Sep. 4, 2013**

(51) **LOC (10) Cl.** **06-06**

(52) **U.S. Cl.**
USPC **D6/405**

(58) **Field of Classification Search**
CPC A47F 7/19; A47F 7/24; A47F 5/0006;
A47F 5/0815; A47F 5/103; A47G 25/0685;
A47G 25/0664; A47G 25/10; A47G 25/0607;
A47G 25/0692

USPC D6/403-405, 556-559, 570;
D11/143-156, 164; D19/77, 80, 81,
D19/84; D25/15, 100, 105, 113; D26/9, 10,
D26/11, 16, 19; D34/1, 2, 4-6; 47/17, 32.4,
47/32.5, 32.7, 33, 39, 41.01, 41.1,
47/41.11-41.15, 44-47, 63, 65.5, 65.9,
47/66.6, 66.7, 67-71; 211/85.3

See application file for complete search history.

(56) **References Cited**

U.S. PATENT DOCUMENTS

D257,709	S	*	12/1980	Lewis	D8/381
D346,922	S	*	5/1994	Lewis	D6/570
D367,574	S	*	3/1996	Werner	D6/514
D384,231	S	*	9/1997	Burns	D6/514
D485,106	S	*	1/2004	Dion	D6/553
D486,021	S	*	2/2004	Dion	D6/553
D535,843	S	*	1/2007	Miller	D6/570
7,681,355	B2	*	3/2010	Brown et al.	47/47
D653,048	S	*	1/2012	Barr et al.	D6/403
8,777,168	B2	*	7/2014	Hassid	248/125.8
2012/0055893	A1	*	3/2012	Wisniewski	211/85.3

* cited by examiner

Primary Examiner — Robert M Spear
Assistant Examiner — Marissa J Cash

(57) **CLAIM**

I claim the ornamental design for the portable potted plant-hanging tree, as shown and described.

DESCRIPTION

FIG. 1 is a front view of the portable potted plant-hanging tree.

FIG. 2 is a side view of the claimed design.

FIG. 3 is a top view of the claimed design.

FIG. 4 is a bottom view of the claimed design; and,

FIG. 5 is a perspective view of the claimed design.

1 Claim, 3 Drawing Sheets

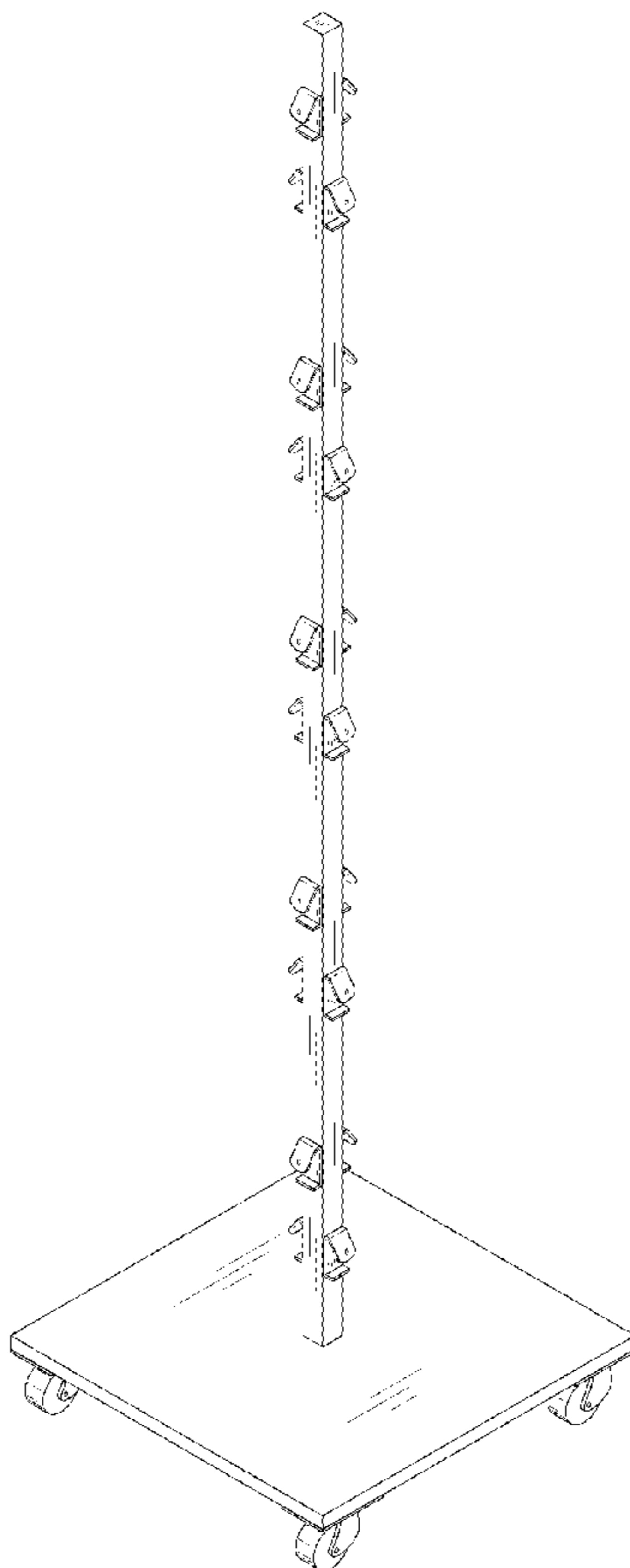


FIG. 1

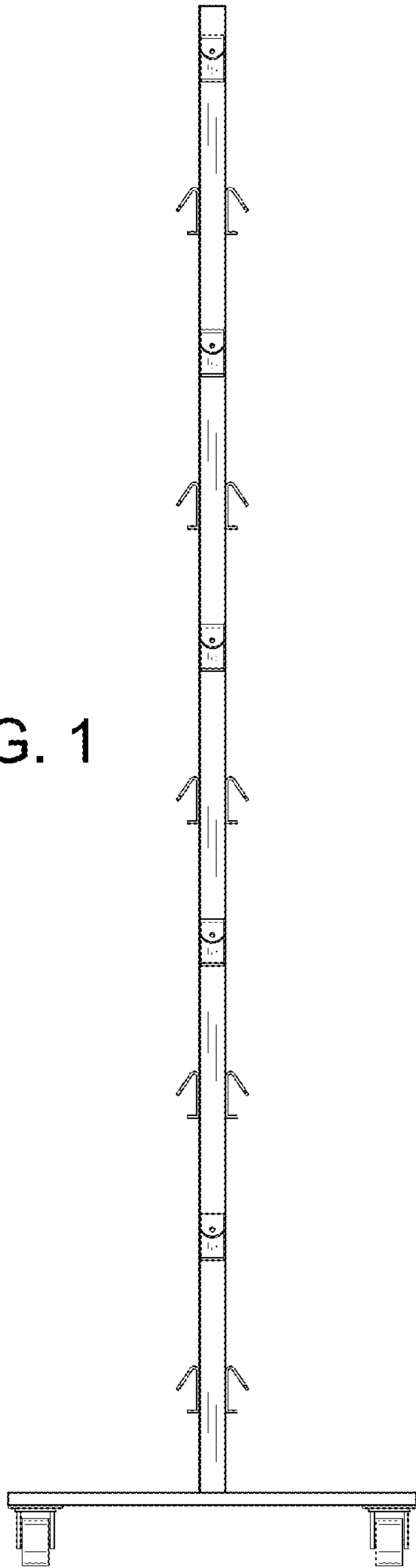
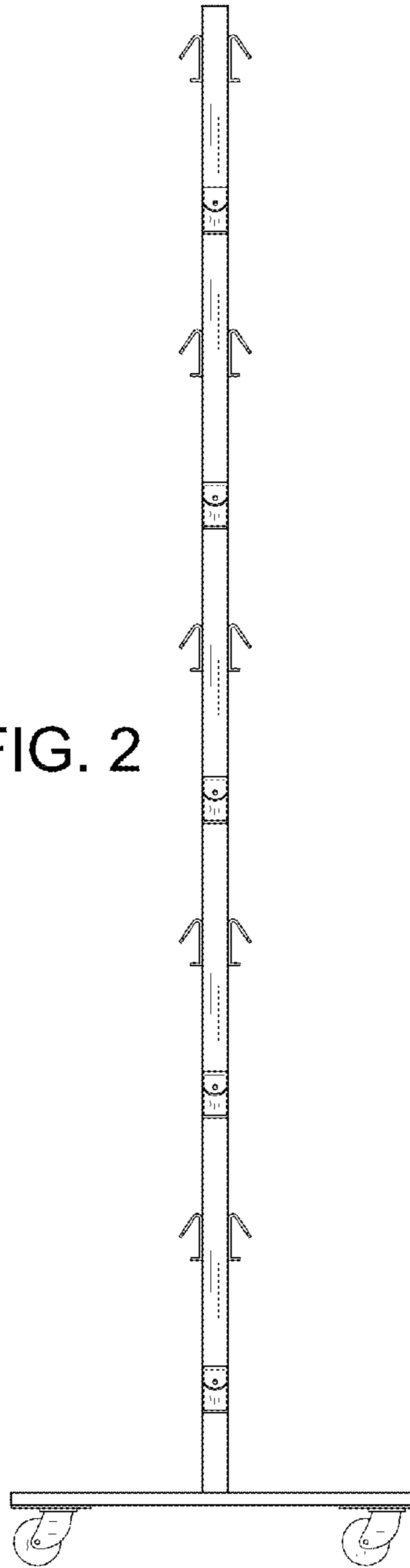


FIG. 2



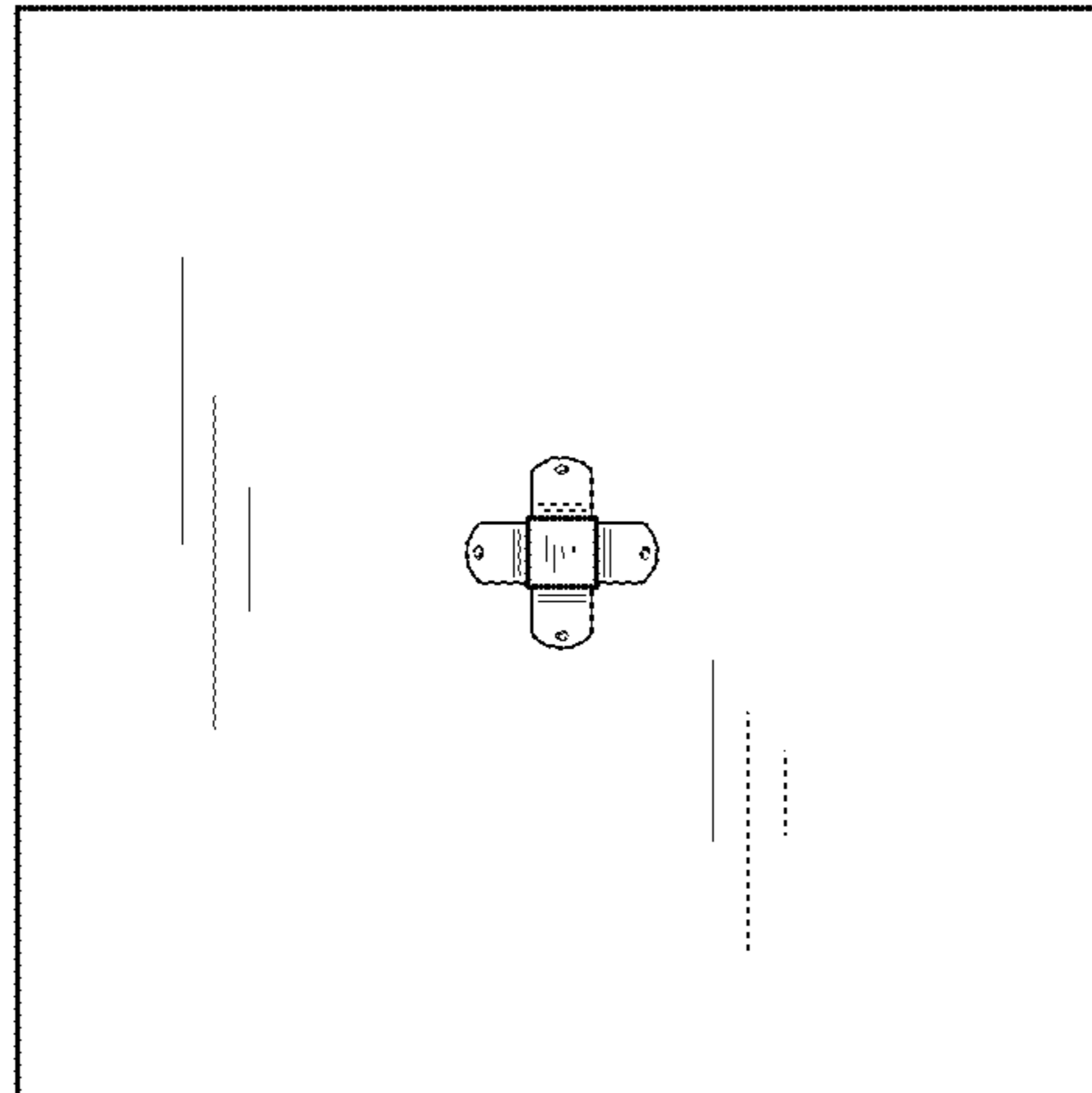


FIG. 3

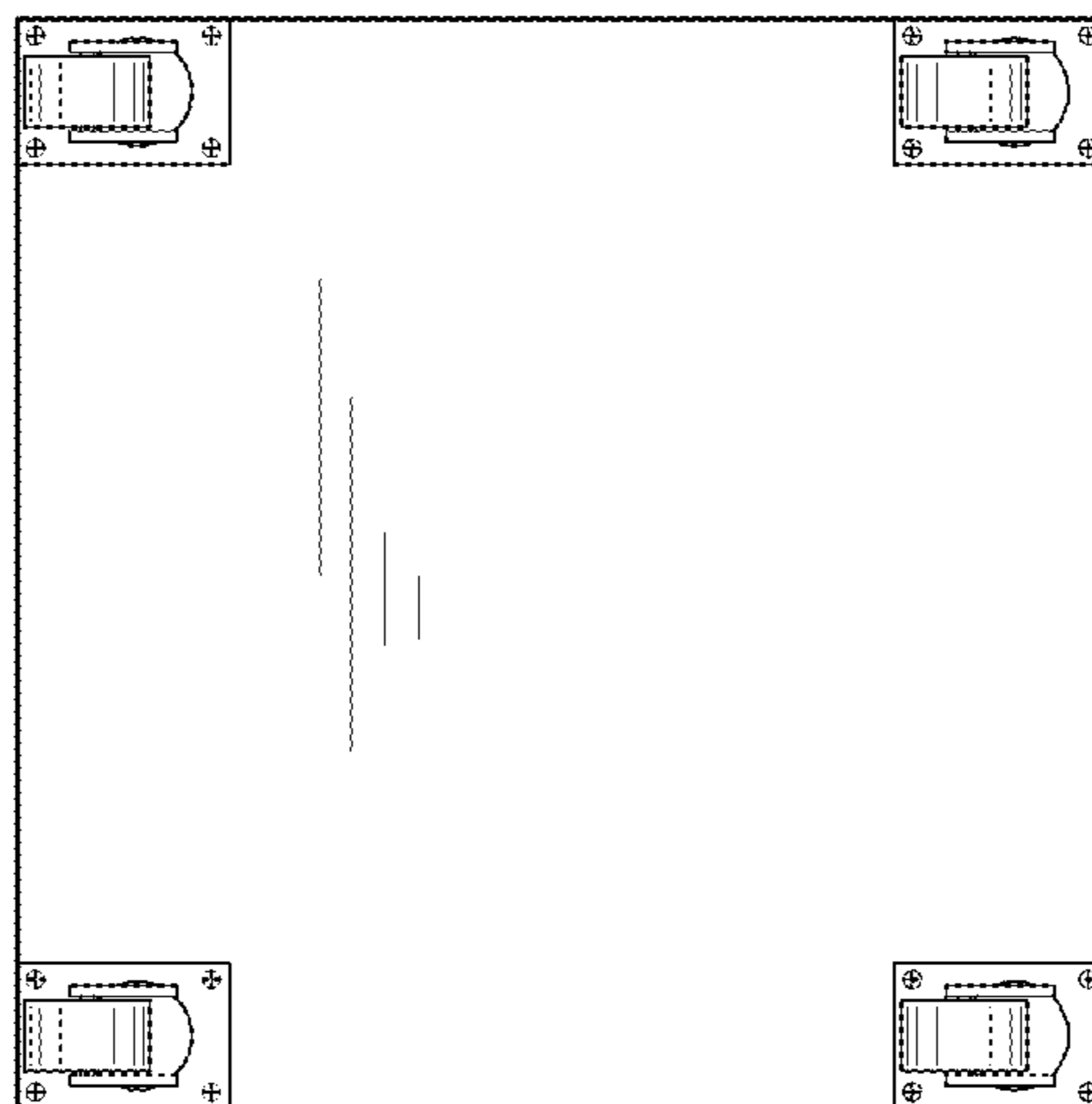


FIG. 4

FIG. 5

