



US00D721898S

(12) **United States Design Patent**  
**Palumbo**

(10) **Patent No.:** **US D721,898 S**  
(45) **Date of Patent:** **\*\* Feb. 3, 2015**

(54) **CHAIR**  
(71) Applicant: **Nicole Palumbo**, Kansas City, MO (US)  
(72) Inventor: **Nicole Palumbo**, Kansas City, MO (US)  
(\*\*) Term: **14 Years**  
(21) Appl. No.: **29/472,428**

D249,305 S *	9/1978	Henninger	.....	D6/336
D253,142 S *	10/1979	Herman	.....	D6/370
4,235,473 A *	11/1980	Aginar	.....	297/452.63
D275,050 S *	8/1984	Aronowitz et al.	.....	D6/366
D275,158 S *	8/1984	Aronowitz et al.	.....	D6/366
D329,149 S *	9/1992	Swope	.....	D6/370
D462,191 S *	9/2002	Lovell	.....	D6/379
D619,385 S *	7/2010	Schultz	.....	D6/370
D619,386 S *	7/2010	Schultz	.....	D6/370
D700,449 S *	3/2014	Romans	.....	D6/370

(22) Filed: **Nov. 12, 2013**  
(51) **LOC (10) Cl.** ..... **06-01**  
(52) **U.S. Cl.**  
USPC ..... **D6/370**  
(58) **Field of Classification Search**  
CPC ..... A47C 4/03; A47C 4/021; A47C 7/16  
USPC ..... D6/334-336, 366, 370, 374, 375, 376,  
D6/379, 380, 716, 716.1, 716.2, 716.3,  
D6/716.4; 297/445.1, 446.1, 440.1,  
297/440.13, 452.63  
See application file for complete search history.

\* cited by examiner

*Primary Examiner* — Mimosa De  
(74) *Attorney, Agent, or Firm* — Shook, Hardy & Bacon  
L.L.P.

(57) **CLAIM**  
The ornamental design for a chair, as shown and described.

**DESCRIPTION**

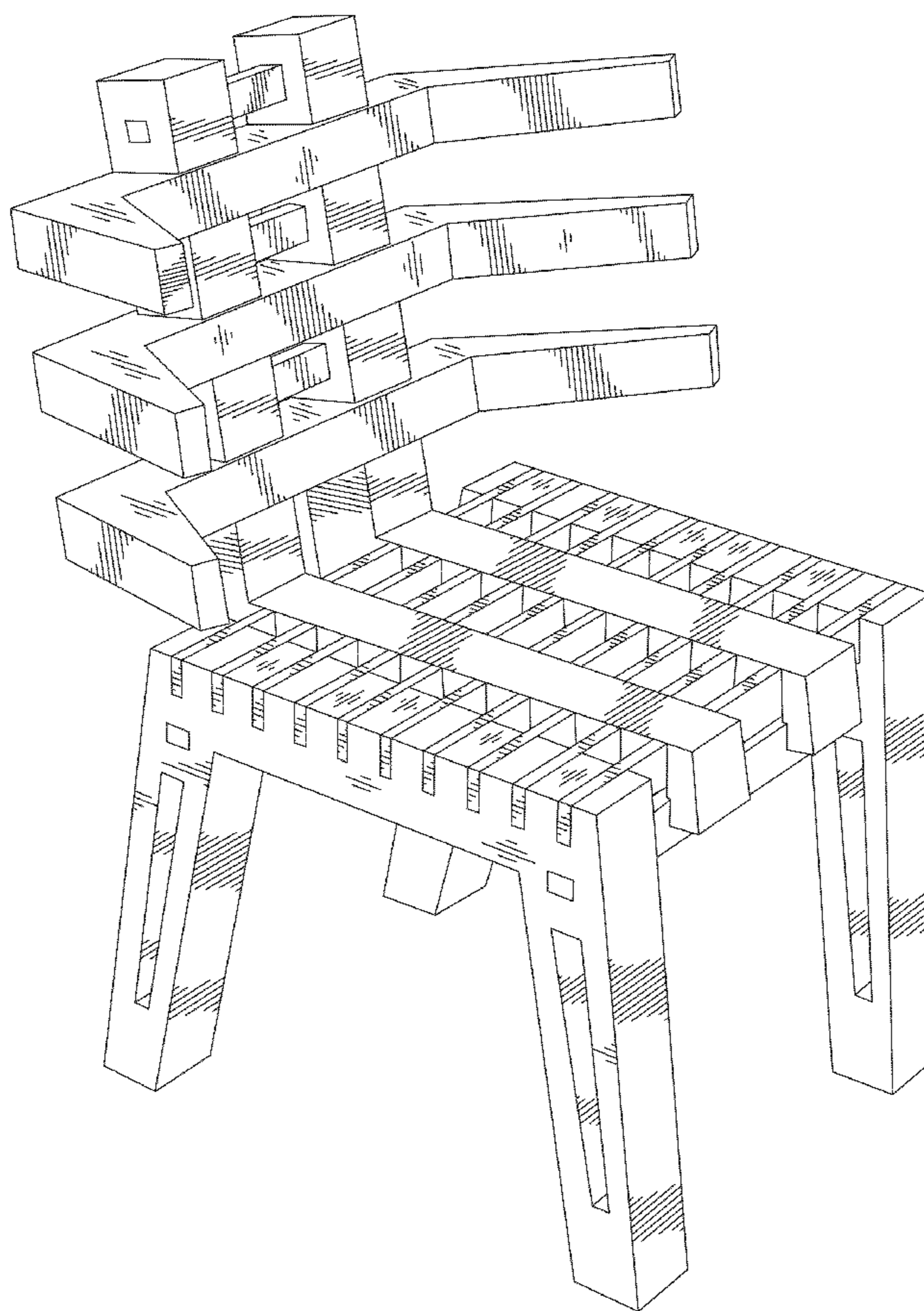
FIG. 1 is a perspective view of the chair of the present invention;  
FIG. 2 is a front elevation view thereof;  
FIG. 3 is a left side elevation view thereof;  
FIG. 4 is a right side elevation view thereof;  
FIG. 5 is a rear elevation view thereof;  
FIG. 6 is a top plan view thereof; and,  
FIG. 7 is a bottom plan view thereof.

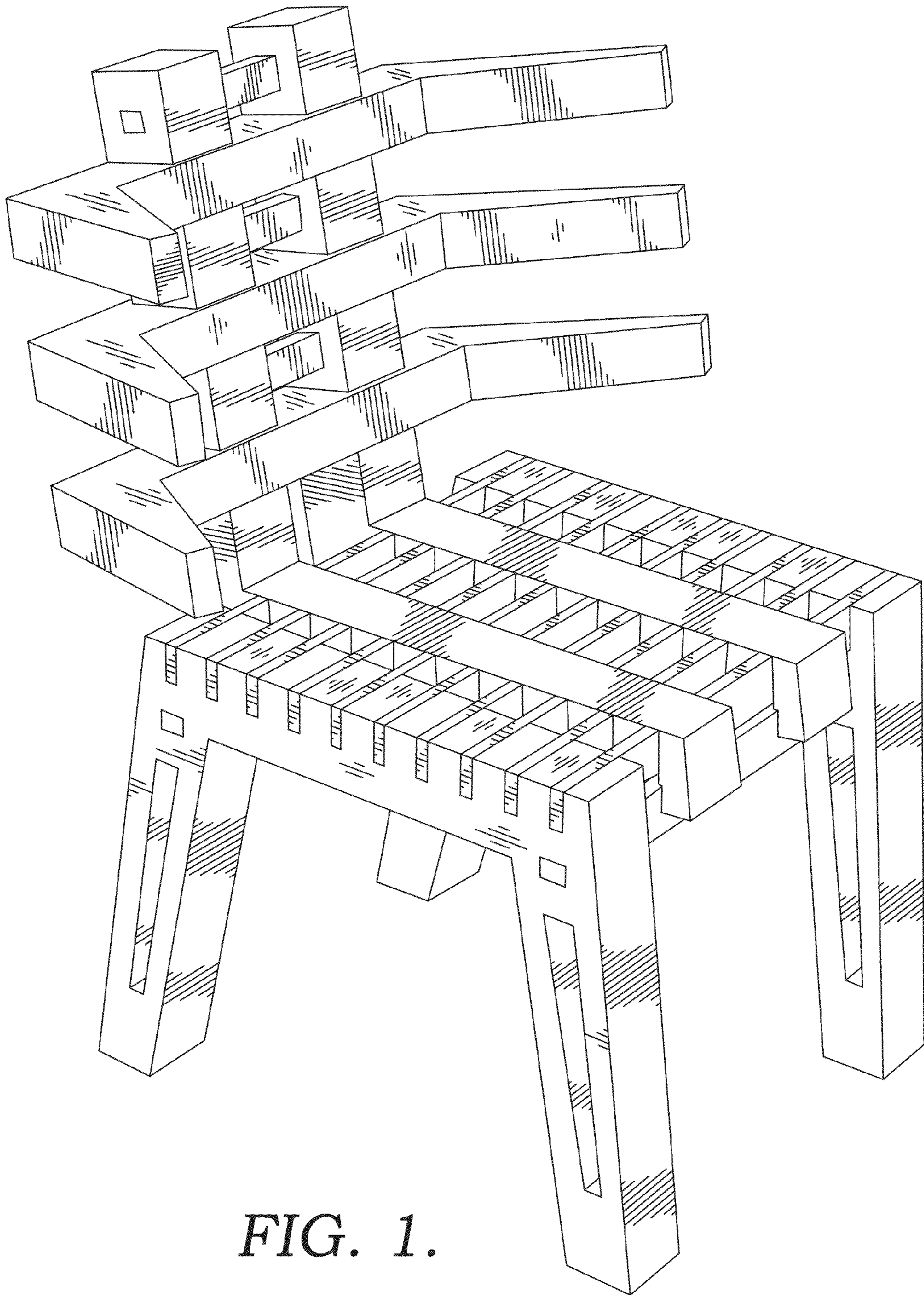
(56) **References Cited**

U.S. PATENT DOCUMENTS

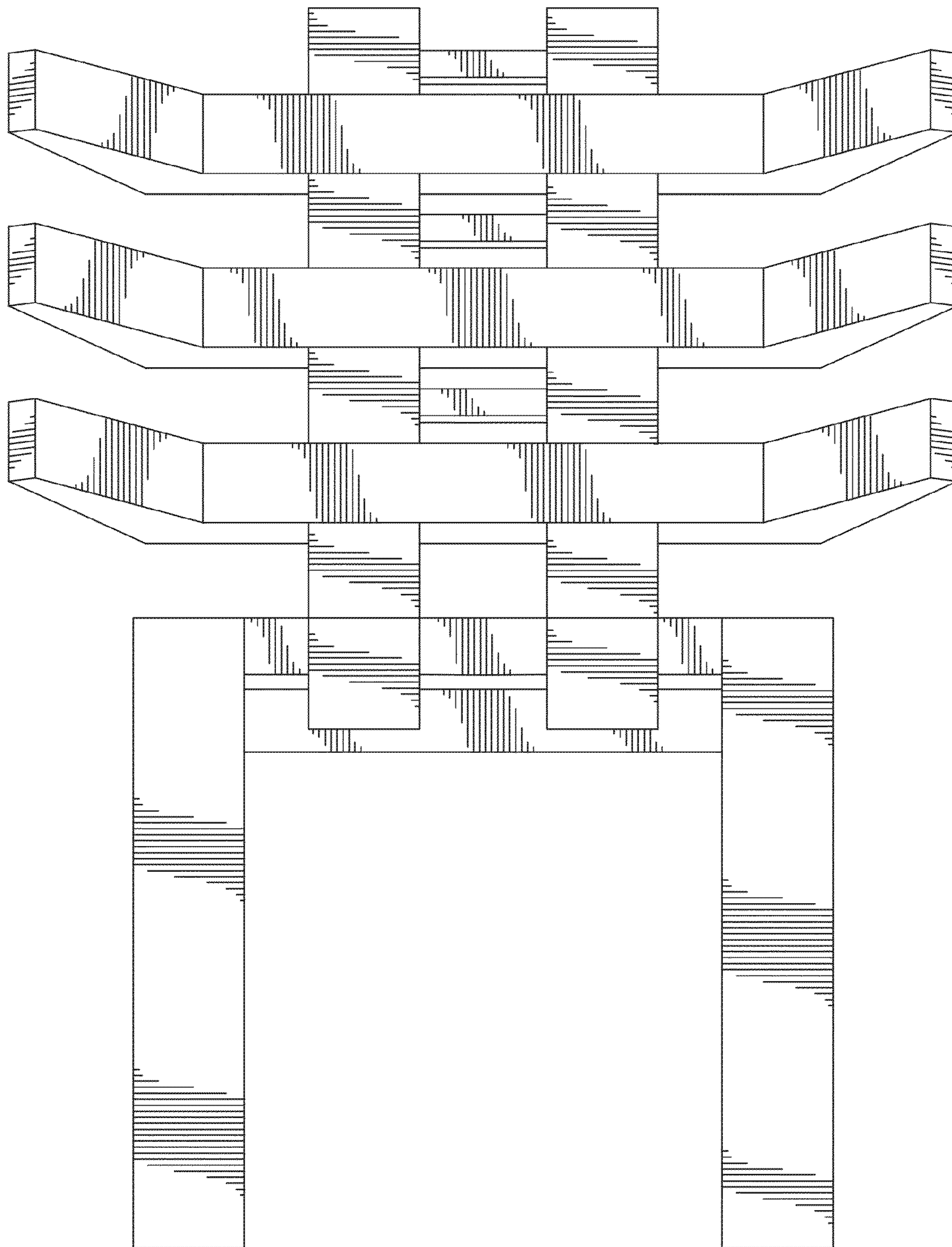
2,784,774 A *	3/1957	Andreef	.....	A47C 4/021
3,001,750 A *	9/1961	Hedlund	.....	A47C 4/021
D193,708 S *	10/1962	Keown	.....	D6/375

**1 Claim, 7 Drawing Sheets**





*FIG. 1.*



*FIG. 2.*

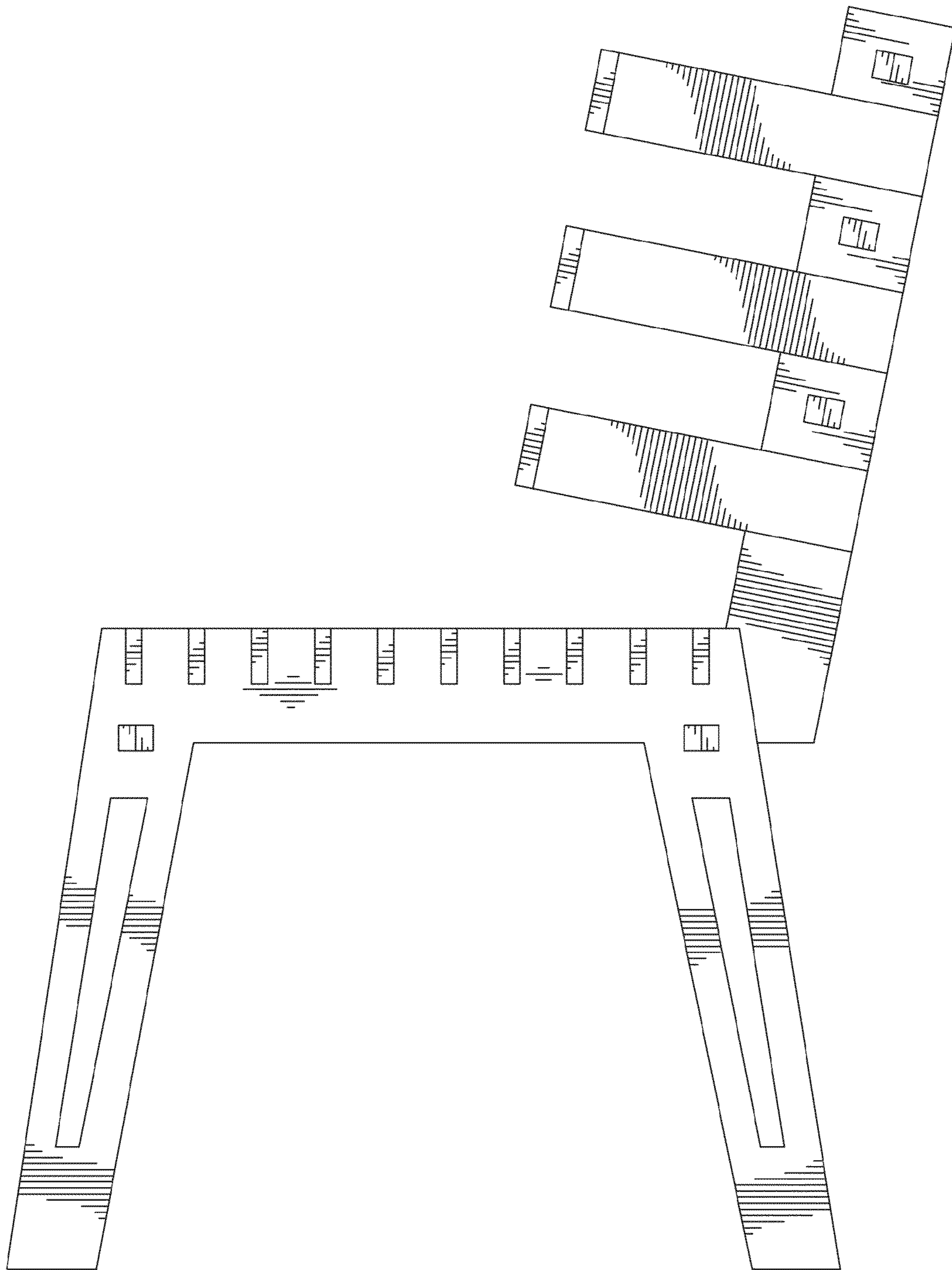


FIG. 3.

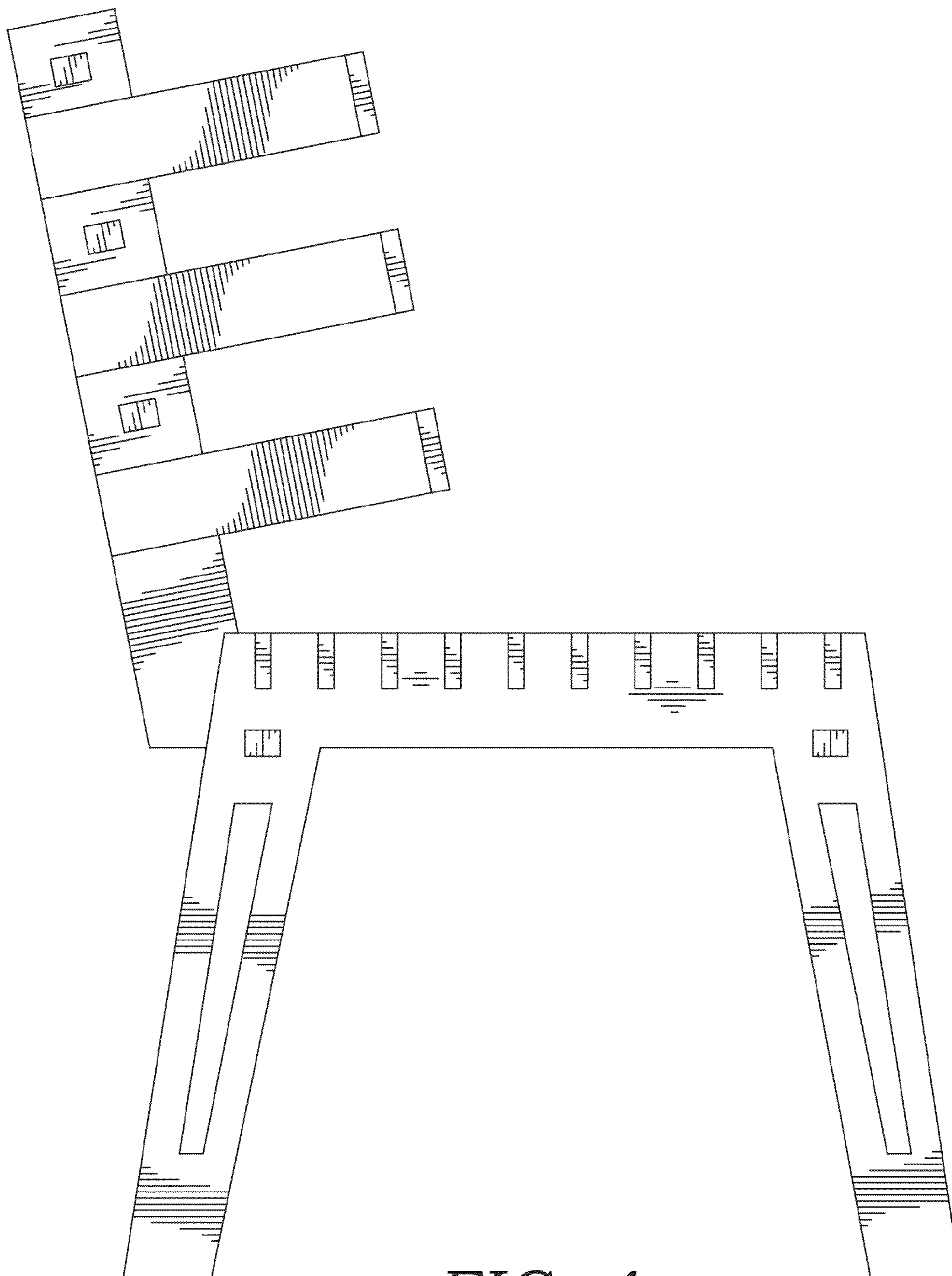


FIG. 4.

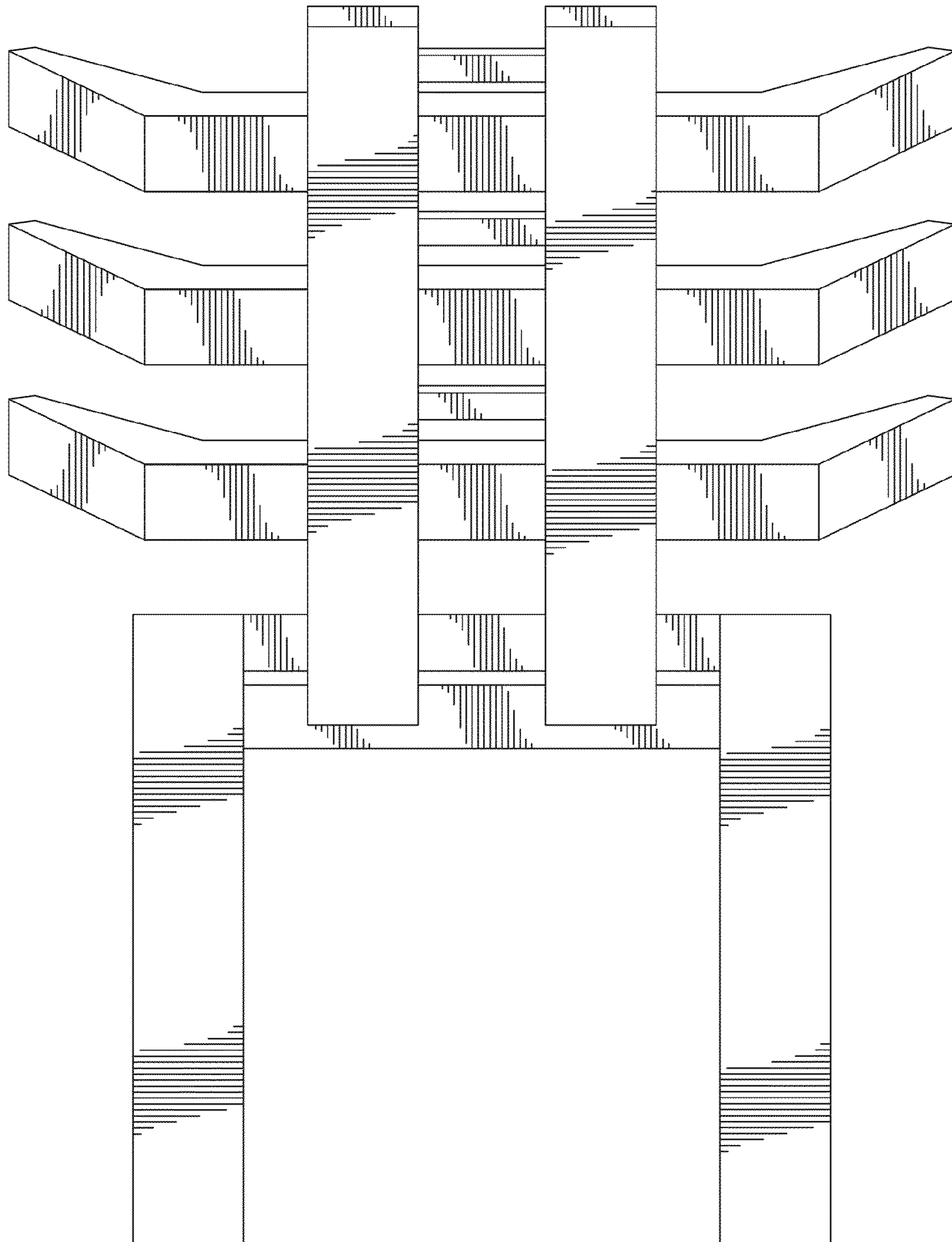


FIG. 5.

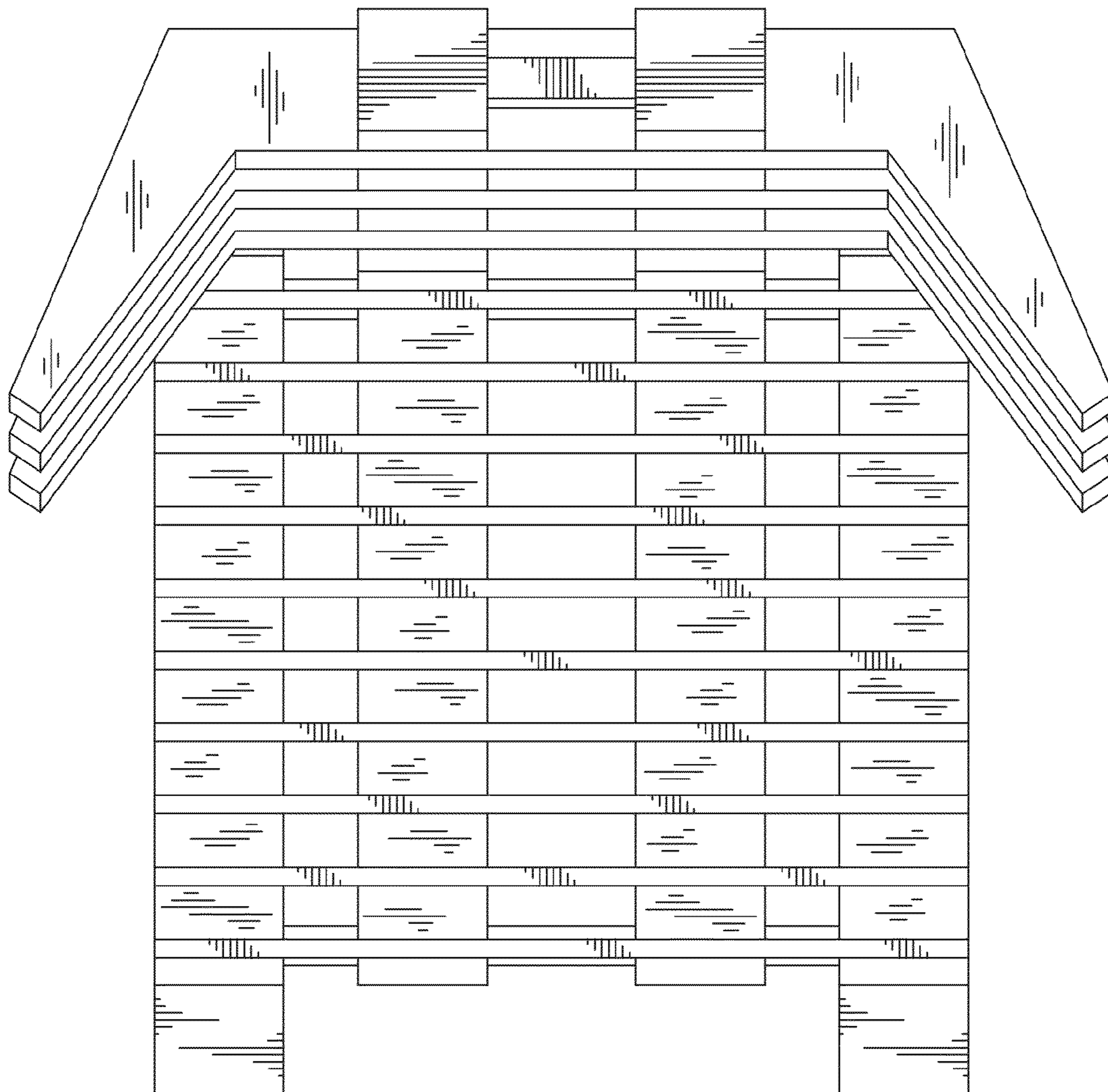
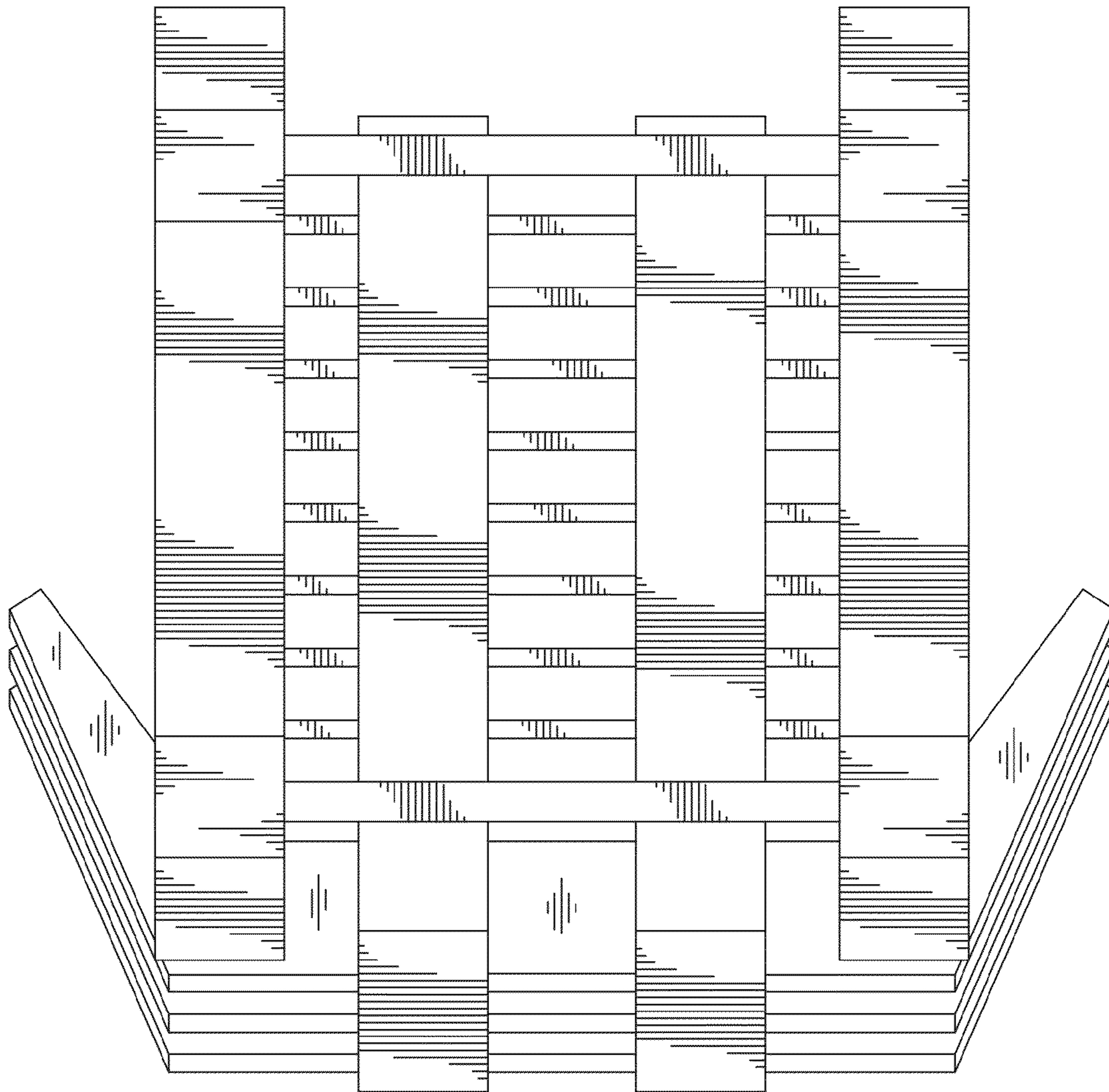


FIG. 6.



*FIG. 7.*