



US00D721894S

(12) **United States Design Patent**  
**Cohen**

(10) **Patent No.:** **US D721,894 S**  
(45) **Date of Patent:** **\*\* Feb. 3, 2015**

(54) **DECORATIVE BENCH**

(71) Applicant: **Howard Cohen**, Indialantic, FL (US)

(72) Inventor: **Howard Cohen**, Indialantic, FL (US)

(\*\*) Term: **14 Years**

(21) Appl. No.: **29/460,011**

(22) Filed: **Jul. 6, 2013**

(51) **LOC (10) Cl.** ..... **06-01**

(52) **U.S. Cl.**  
USPC ..... **D6/349; D6/370**

(58) **Field of Classification Search**

CPC ..... A47C 3/18-3/20; A47C 5/02; A47C 9/00;  
A47C 11/00; A47C 13/00; A47C 9/06;  
A47C 7/16

USPC ..... D6/330, 337, 341, 346, 349-355, 357,  
D6/362, 364-373, 376, 377, 381, 645, 656,  
D6/658, 665, 674, 675.5, 676, 682.4,  
D6/685-692, 694, 694.2, 704, 705, 707,  
D6/707.8, 707.19, 708, 716.1-716.6, 717,  
D6/717.2; 297/423.12, 423.13, 423.37,  
297/461, 462, 115, 116, 135, 160-162

See application file for complete search history.

(56) **References Cited**

**U.S. PATENT DOCUMENTS**

D134,359 S	*	11/1942	Warth, Sr.	.....	D6/336
D159,947 S	*	9/1950	Bell	.....	D6/349
4,191,113 A	*	3/1980	Hogberg	.....	108/157.16
D303,877 S	*	10/1989	Norton	.....	D6/349
D438,024 S	*	2/2001	Catalano et al.	.....	D6/349
D555,919 S	*	11/2007	Baade et al.	.....	D6/349
D583,577 S	*	12/2008	Wicha	.....	D6/349
D586,572 S	*	2/2009	Collette	.....	D6/349
D614,877 S	*	5/2010	Garzon	.....	D6/349
D624,335 S	*	9/2010	Lutz et al.	.....	D6/480

**OTHER PUBLICATIONS**

24" Asia Teak & Stainless Shower Bench—From the Asia Collection 412. [online] Retrieved Mar. 9, 2014 from URL: <http://www.

aquateak.com/bath-and-shower-seating/24-teak-shower-benches/24-asia-teak-stainless-shower-bench-from-the-asia-collection-412/>.\*  
Serenity Teak Asian Design Shower Bench—29" Extended Length. [online] Retrieved Sep. 5, 2013 from URL: <http://www.decoteak.com/teak/shower/bench/asia/29>.\*  
AquaTeak, 380 Asia Teak Shower Bench 24", Date Published Apr. 29, 2013, www.aquateak.com.  
AquaTeak, 380 Asia Teak Shower Bench 24", Date Downloaded Jun. 24, 2013, www.aquateak.com.  
Deco Teak, Fully Assembled—Serenity Teak Shower Bench with Shelf, Published prior to Jul. 6, 2013, www.decoteak.com.

\* cited by examiner

*Primary Examiner* — Susan Bennett Hattan

*Assistant Examiner* — Vy Koenig

(74) *Attorney, Agent, or Firm* — Stephen C. Thomas

(57) **CLAIM**

The ornamental design for a decorative bench, as shown and described.

**DESCRIPTION**

FIG. 1 depicts a perspective view of the decorative bench of the invention.

FIG. 2 depicts a front view of the decorative bench of the invention.

FIG. 3 depicts a perspective left side view of the decorative bench of the invention.

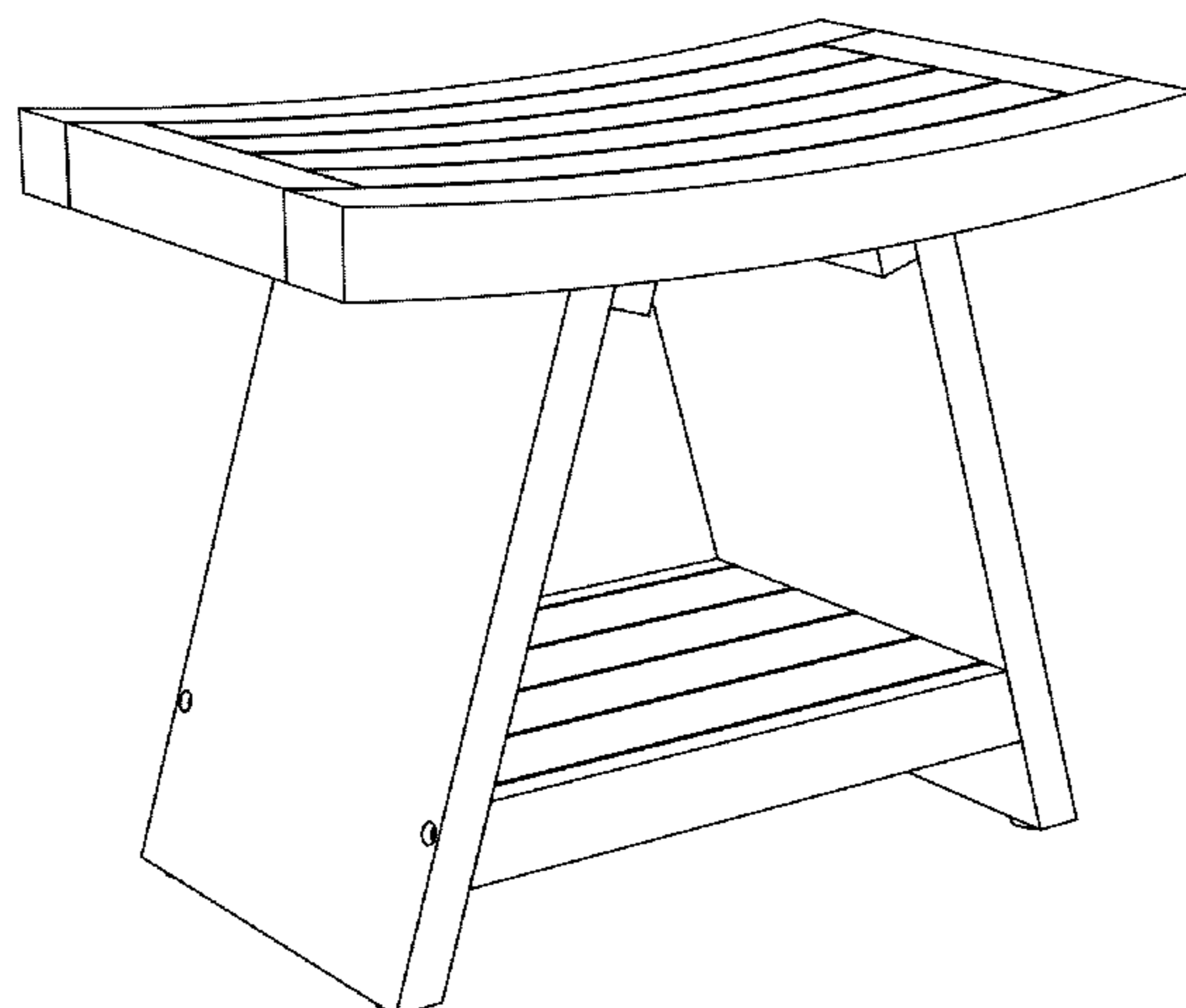
FIG. 4 depicts a perspective right side view of the decorative bench of the invention.

FIG. 5 depicts a top view of the decorative bench of the invention; and,

FIG. 6 depicts a bottom view of the decorative bench of the invention.

The broken lines depicted in the drawings depict environmental features that form no part of the claimed design.

**1 Claim, 6 Drawing Sheets**



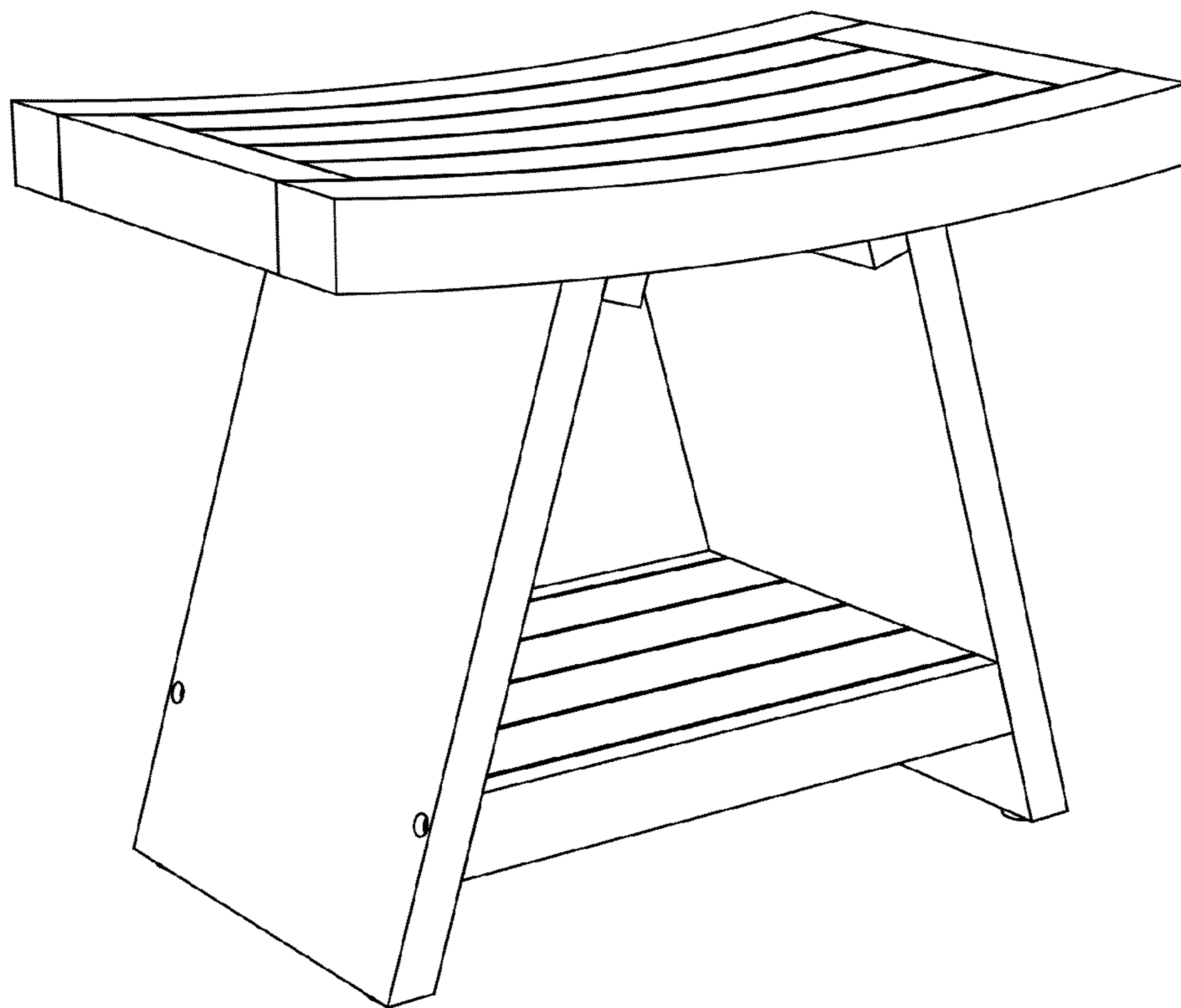


Fig. 1

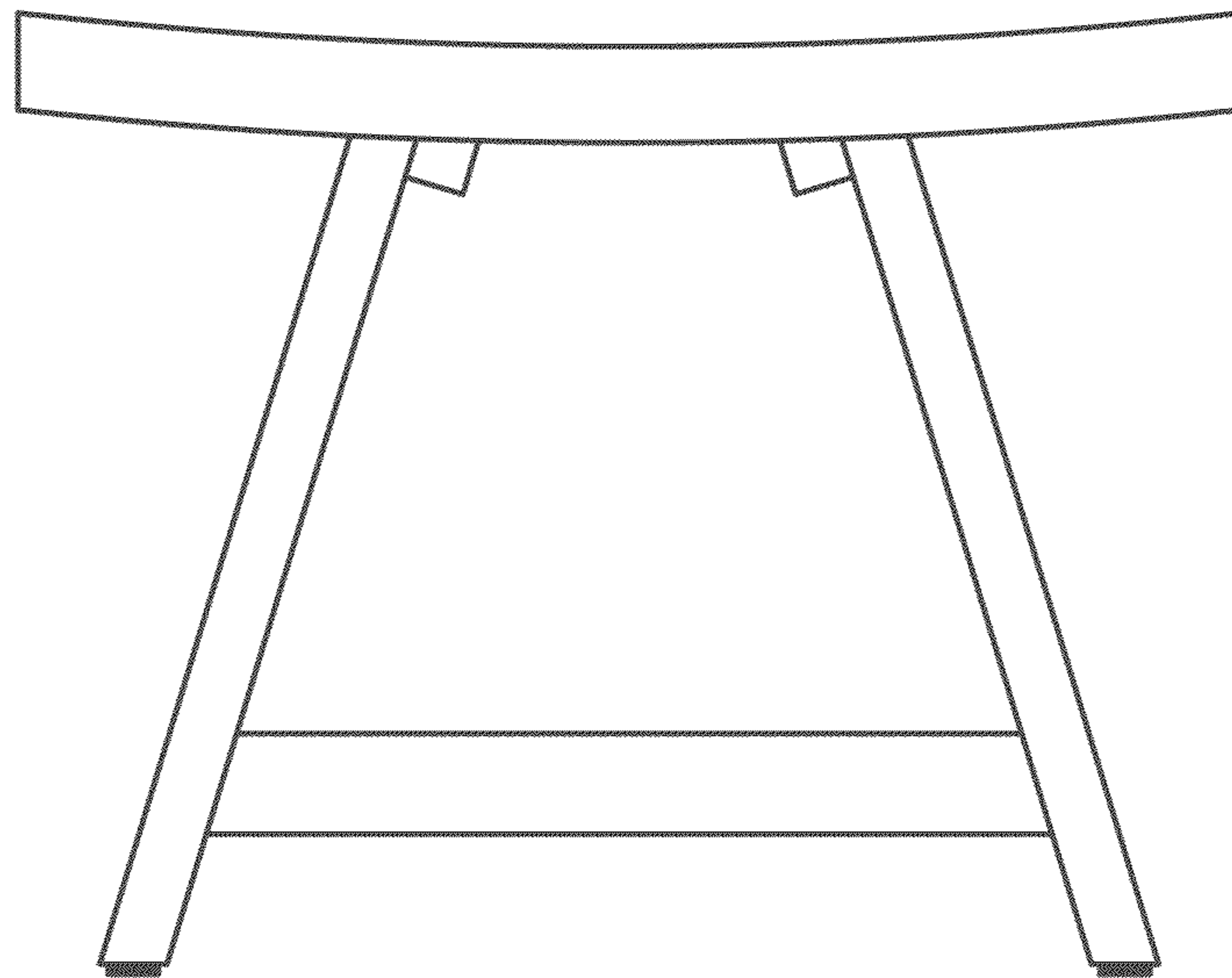


Fig. 2

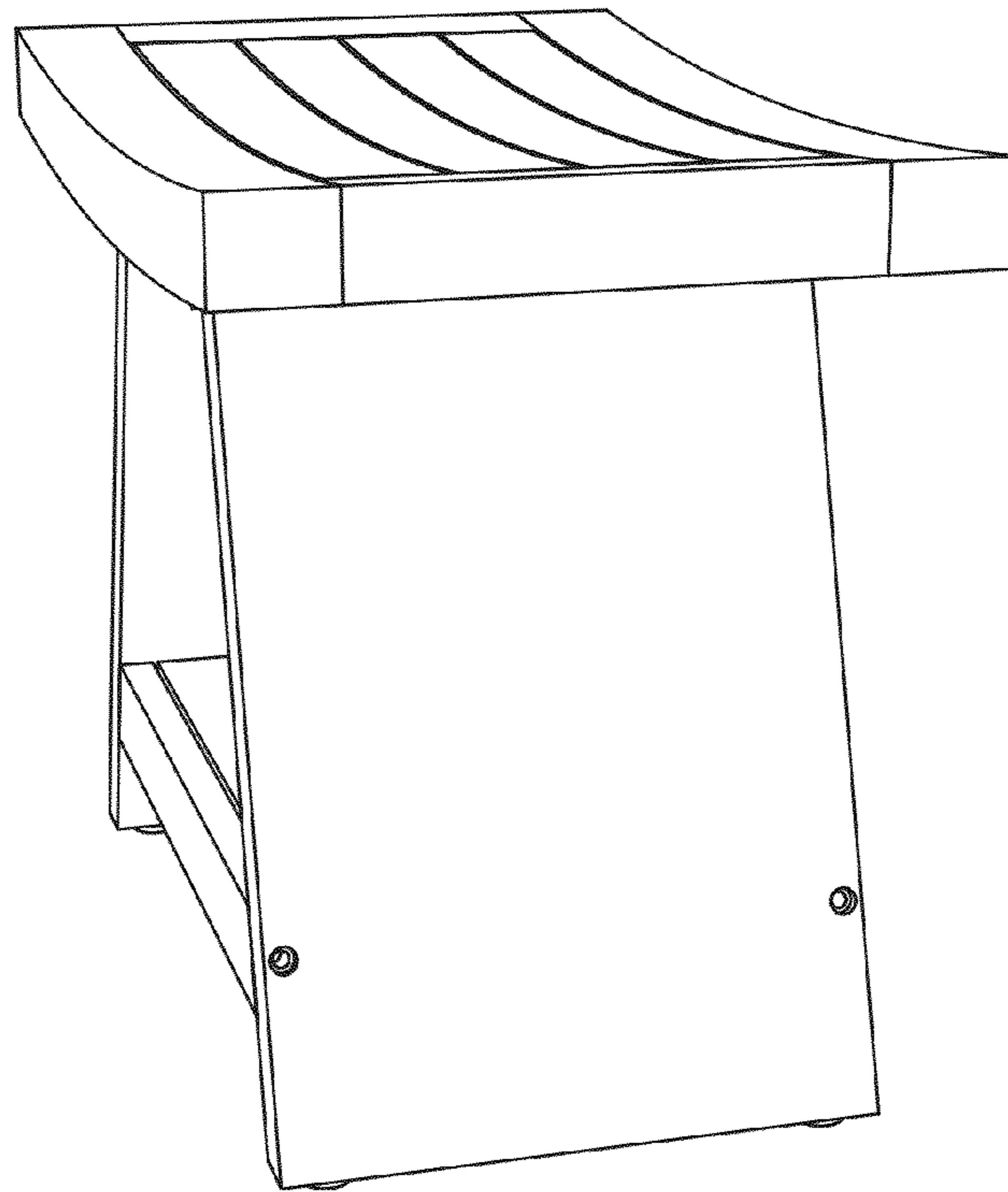


Fig. 3

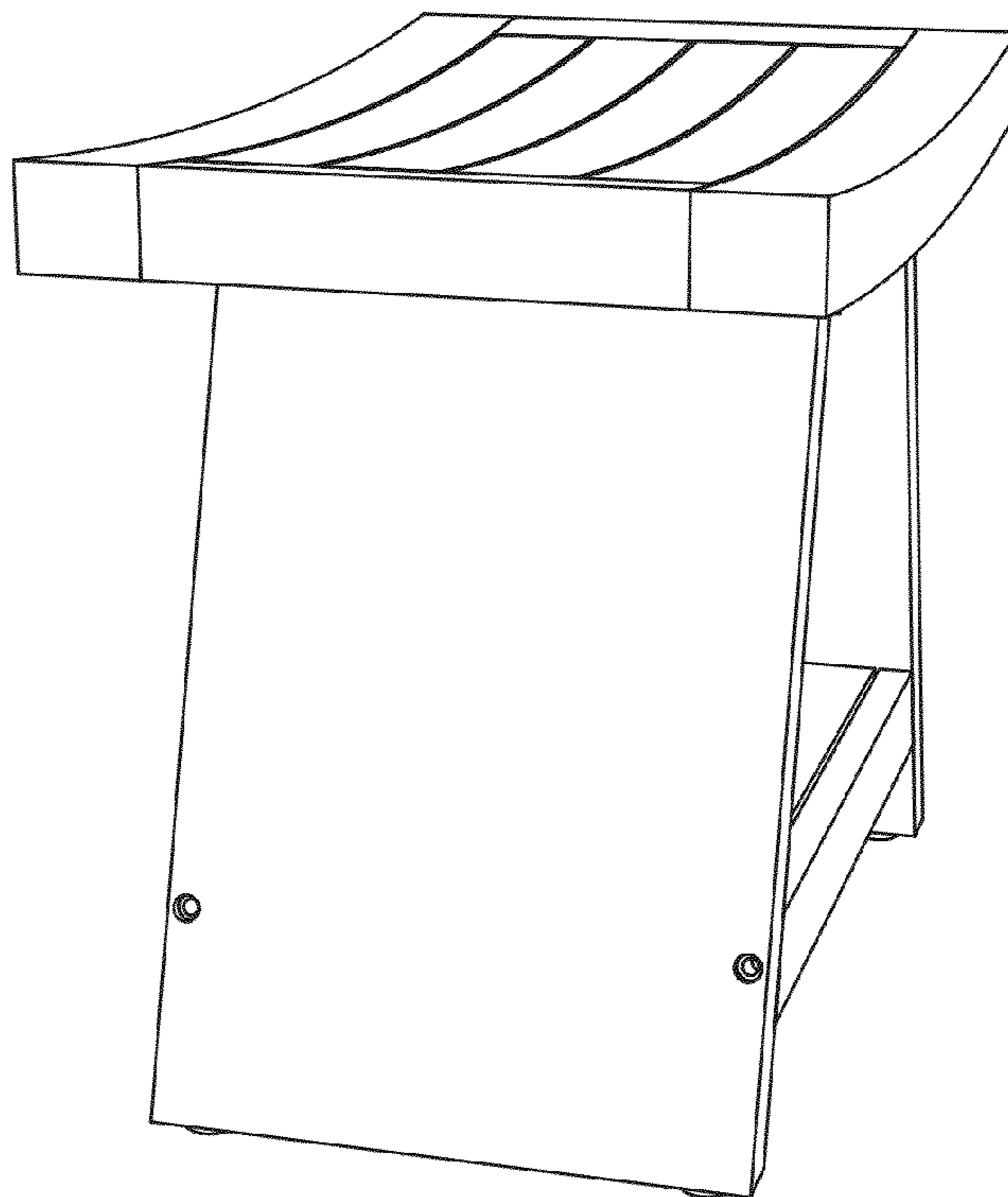


Fig. 4

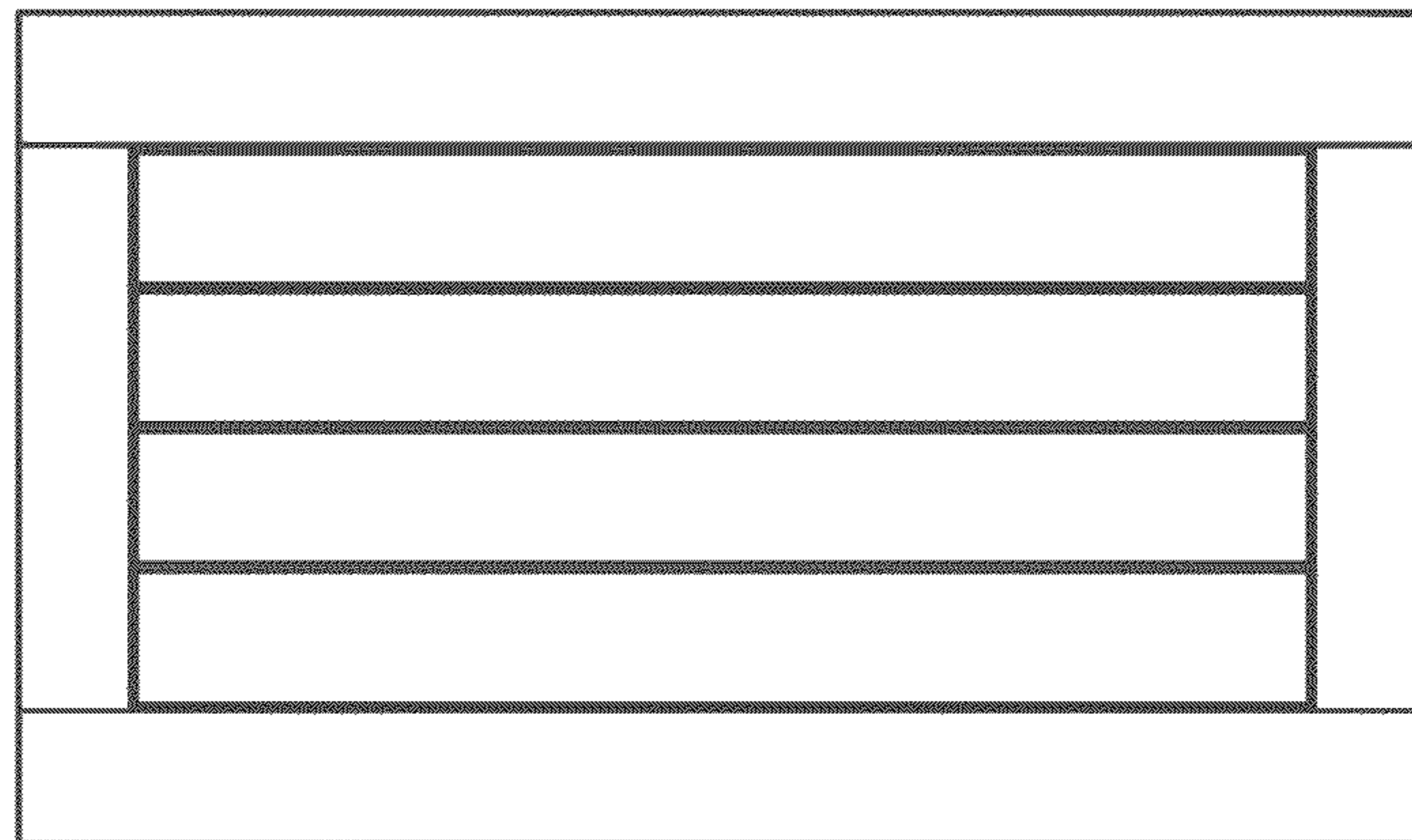


Fig. 5

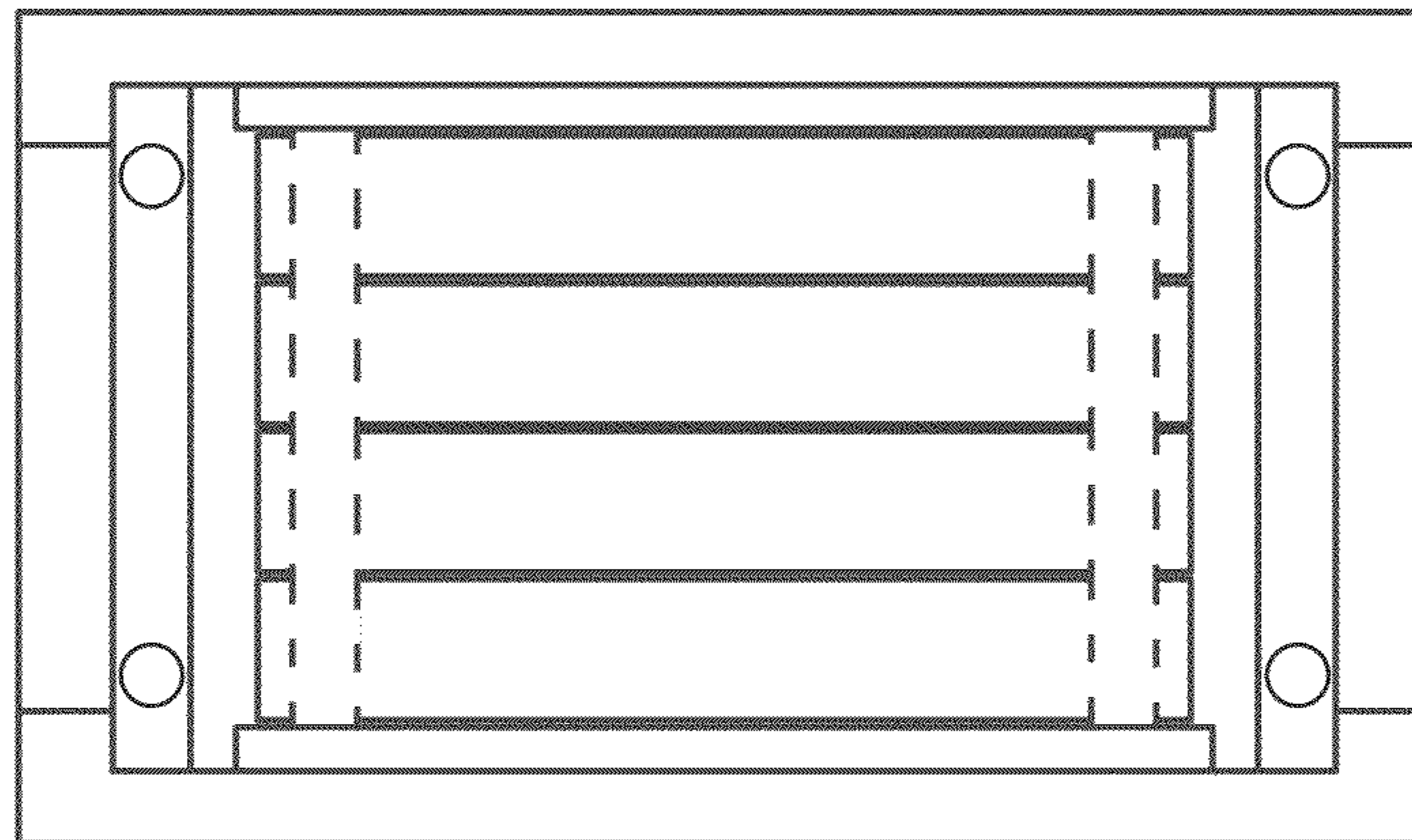


Fig. 6