



US00D721890S

(12) **United States Design Patent**  
**Heil et al.**

(10) **Patent No.:** **US D721,890 S**

(45) **Date of Patent:** **\*\* Feb. 3, 2015**

(54) **SHIPPING CUBE**

(71) Applicant: **Compadre LLC**, Austin, TX (US)

(72) Inventors: **Henry J. Heil**, Austin, TX (US); **Alex J. Ahrens**, Austin, TX (US)

(73) Assignee: **Compadre LLC**, Austin, TX (US)

(\*\*) Term: **14 Years**

(21) Appl. No.: **29/459,485**

(22) Filed: **Jun. 30, 2013**

(51) **LOC (10) Cl.** ..... **03-01**

(52) **U.S. Cl.**

USPC ..... **D3/272**

(58) **Field of Classification Search**

USPC ..... D3/260, 272, 273, 288, 282, 201, 294,  
D3/295, 304; 206/386, 503, 508, 509, 571,  
206/595, 596, 597, 598, 599, 600, 511;  
222/92, 93, 94, 95, 96, 97, 98, 99, 100,  
222/101, 102, 103, 104, 105, 106, 107,  
222/220; 220/1.5, 1.6, 6, 4.28, 4.29, 4.3,  
220/4.31; D9/433; D6/663, 665; 190/19,  
190/24, 37

See application file for complete search history.

(56) **References Cited**

**U.S. PATENT DOCUMENTS**

519,528 A \* 5/1894 Clifton ..... 190/18 R  
694,275 A \* 2/1902 Herz ..... 217/16  
1,572,788 A \* 2/1926 Gordon ..... 220/6  
D71,465 S \* 11/1926 Langmuir ..... D3/272  
2,980,285 A \* 4/1961 Parsons ..... 220/668  
3,315,639 A \* 4/1967 Close ..... 118/642  
3,760,970 A \* 9/1973 Lutz ..... 220/4.28  
D237,145 S \* 10/1975 Barr ..... D3/272  
4,078,847 A \* 3/1978 Presnick ..... 312/140

4,214,669 A \* 7/1980 McQuiston ..... 220/6  
5,687,868 A \* 11/1997 Kannegaard ..... 220/1.5  
D529,287 S \* 10/2006 Perella et al. .... D3/294  
D563,692 S \* 3/2008 DeCarlo et al. .... D6/448  
7,703,632 B2 \* 4/2010 Kochanowski ..... 220/666  
D622,959 S \* 9/2010 Zalewski et al. .... D3/273  
8,152,014 B2 \* 4/2012 Elstone et al. .... 220/6  
D672,553 S \* 12/2012 Devillier ..... D3/272  
8,608,003 B2 \* 12/2013 Uno ..... 220/4.33  
2010/0313529 A1 \* 12/2010 Steinhauer ..... 53/492  
2014/0178171 A1 \* 6/2014 Herold ..... 414/802

\* cited by examiner

*Primary Examiner* — Jennifer Rivard

*Assistant Examiner* — April Rivas

(74) *Attorney, Agent, or Firm* — DuBois, Bryant & Campbell LLP; William D. Wiese

(57) **CLAIM**

The ornamental design for a shipping cube, as shown and described.

**DESCRIPTION**

FIG. 1 is a perspective view of the shipping cube shown in an expanded state;

FIG. 2 is a front view thereof;

FIG. 3 is a back view thereof;

FIG. 4 is a right side view thereof;

FIG. 5 is a left side view thereof;

FIG. 6 is a top view thereof;

FIG. 7 is a bottom view thereof; and

FIG. 8 is a collapsed perspective view of the shipping cube;

FIG. 9 is the front view thereof;

FIG. 10 is the back view thereof;

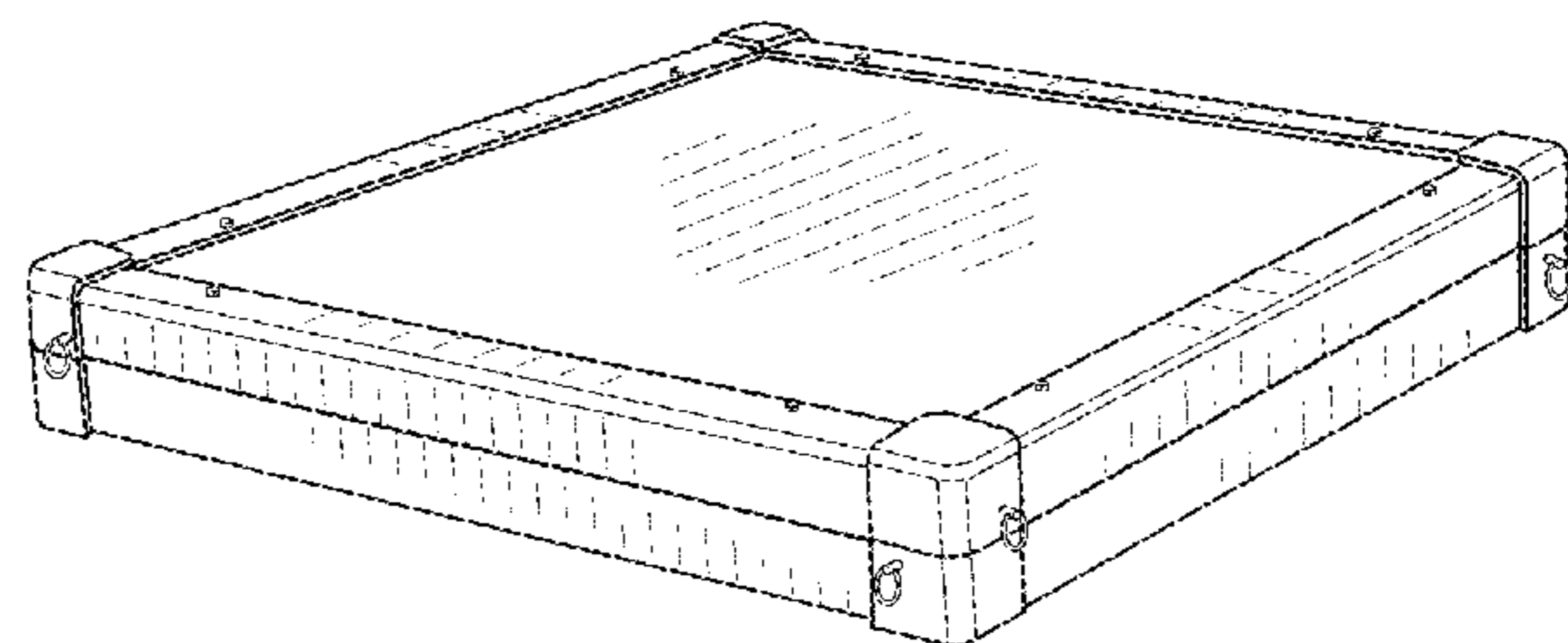
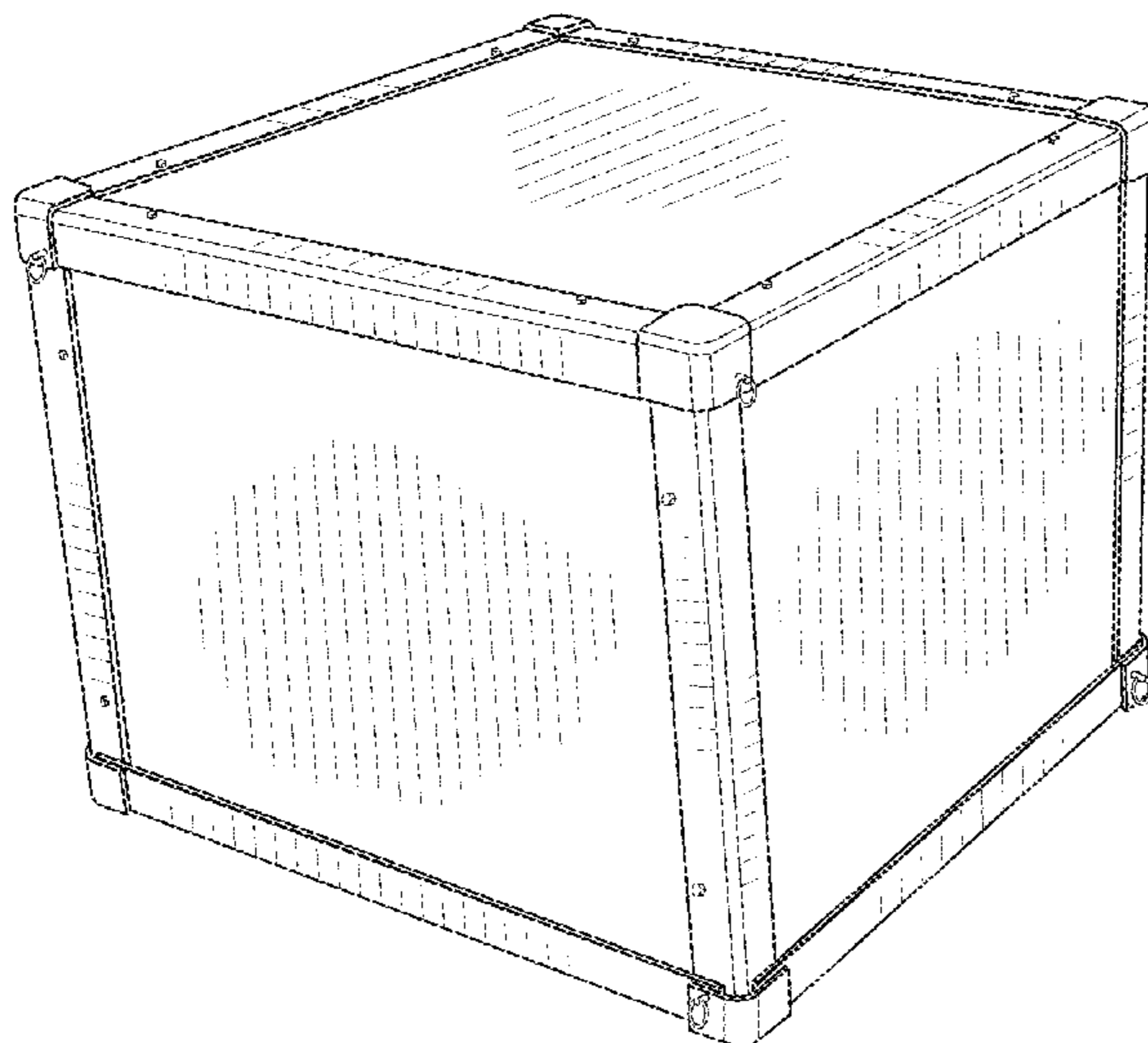
FIG. 11 is the right side view thereof;

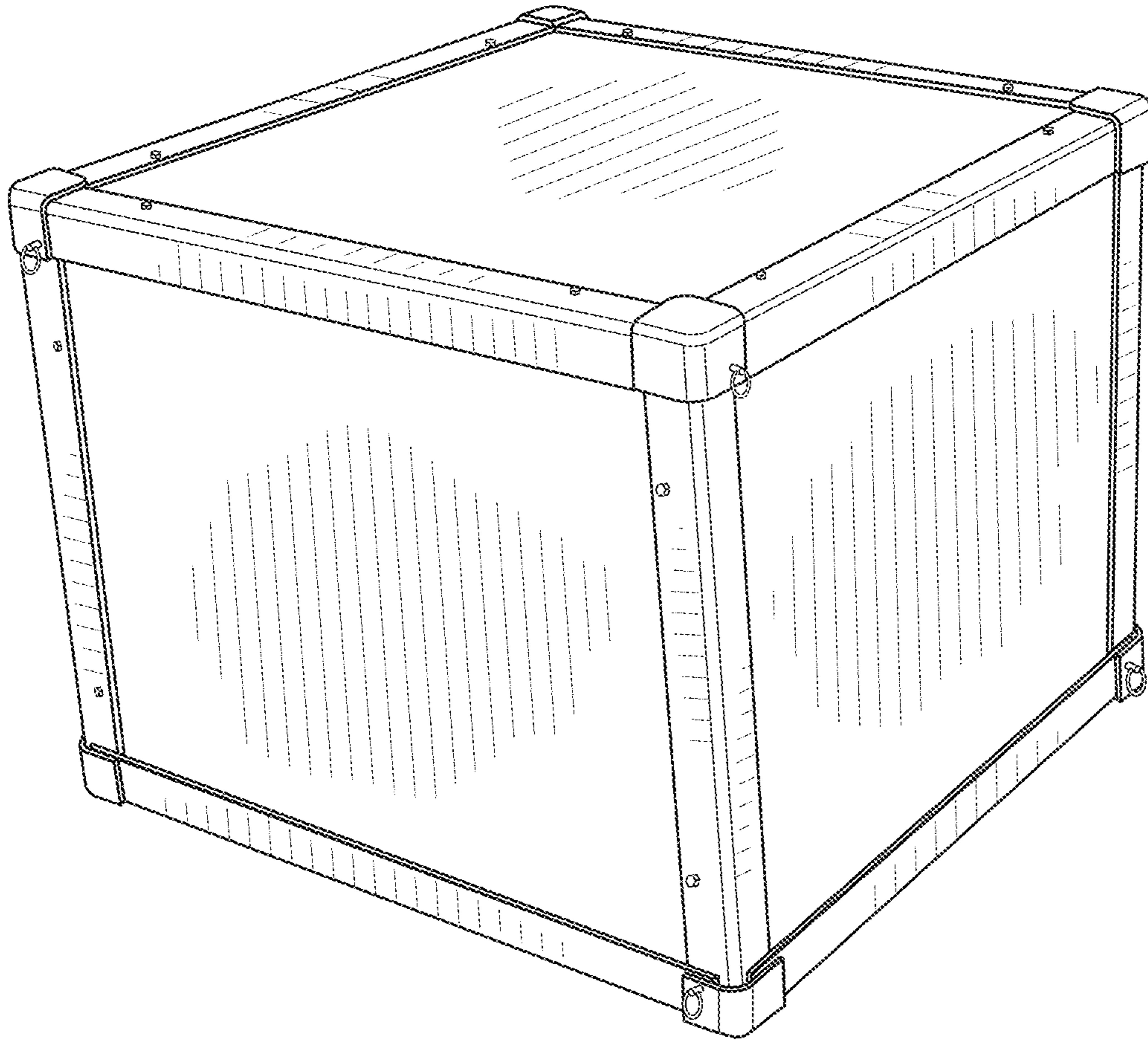
FIG. 12 is the left side view thereof;

FIG. 13 is the top view thereof; and,

FIG. 14 is the bottom view thereof.

**1 Claim, 7 Drawing Sheets**





*FIG. 1*

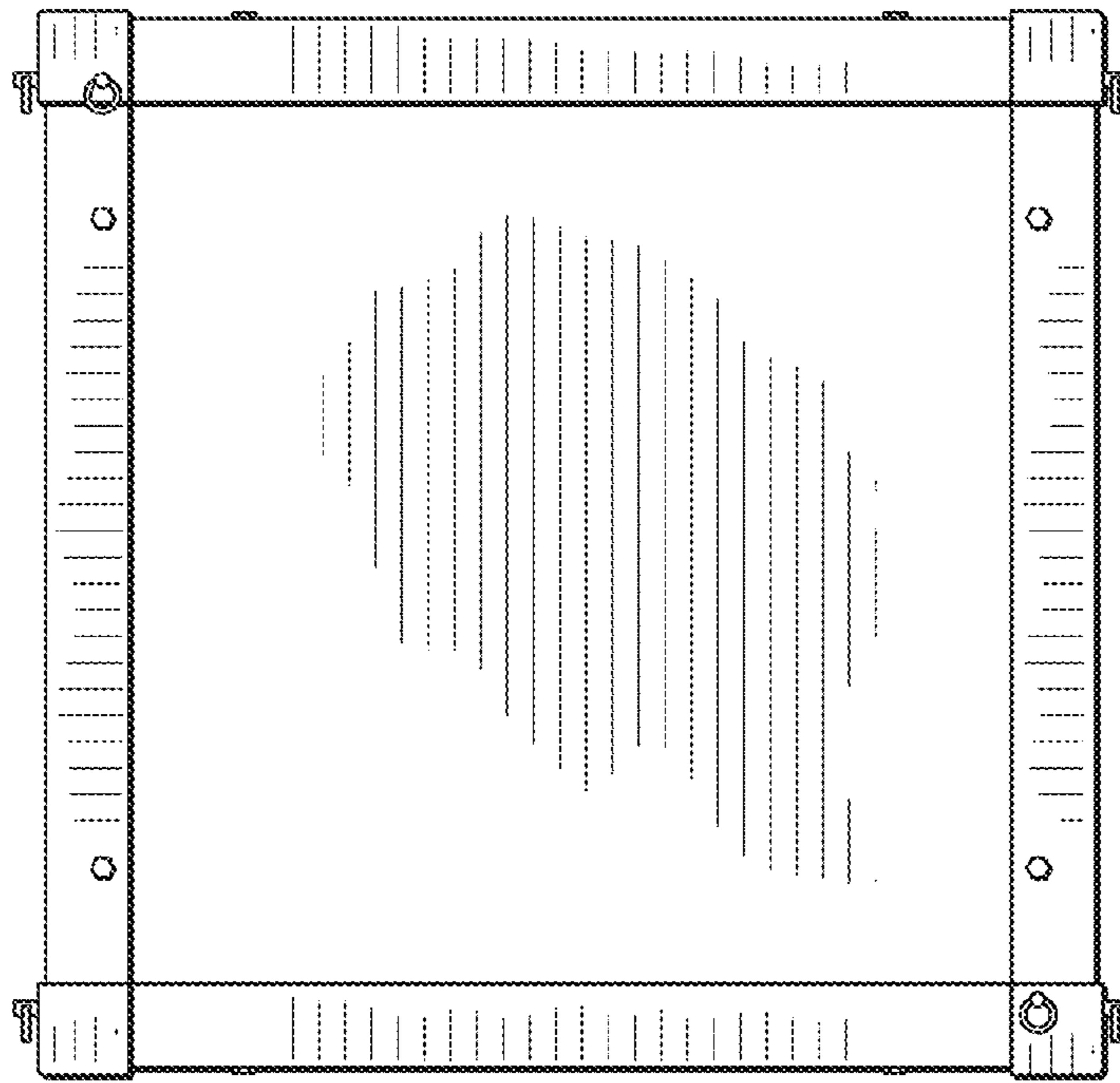


FIG. 2

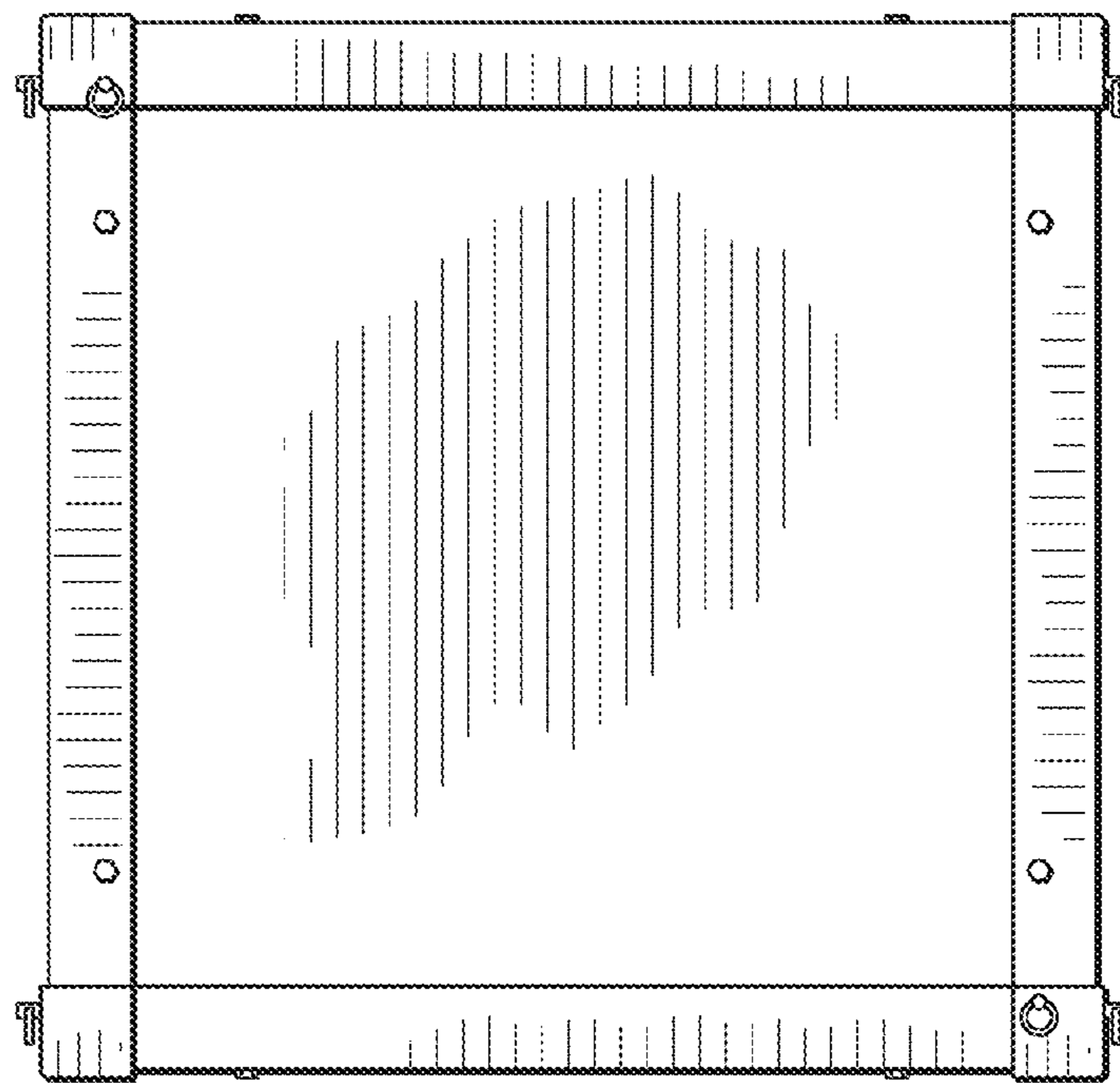


FIG. 3

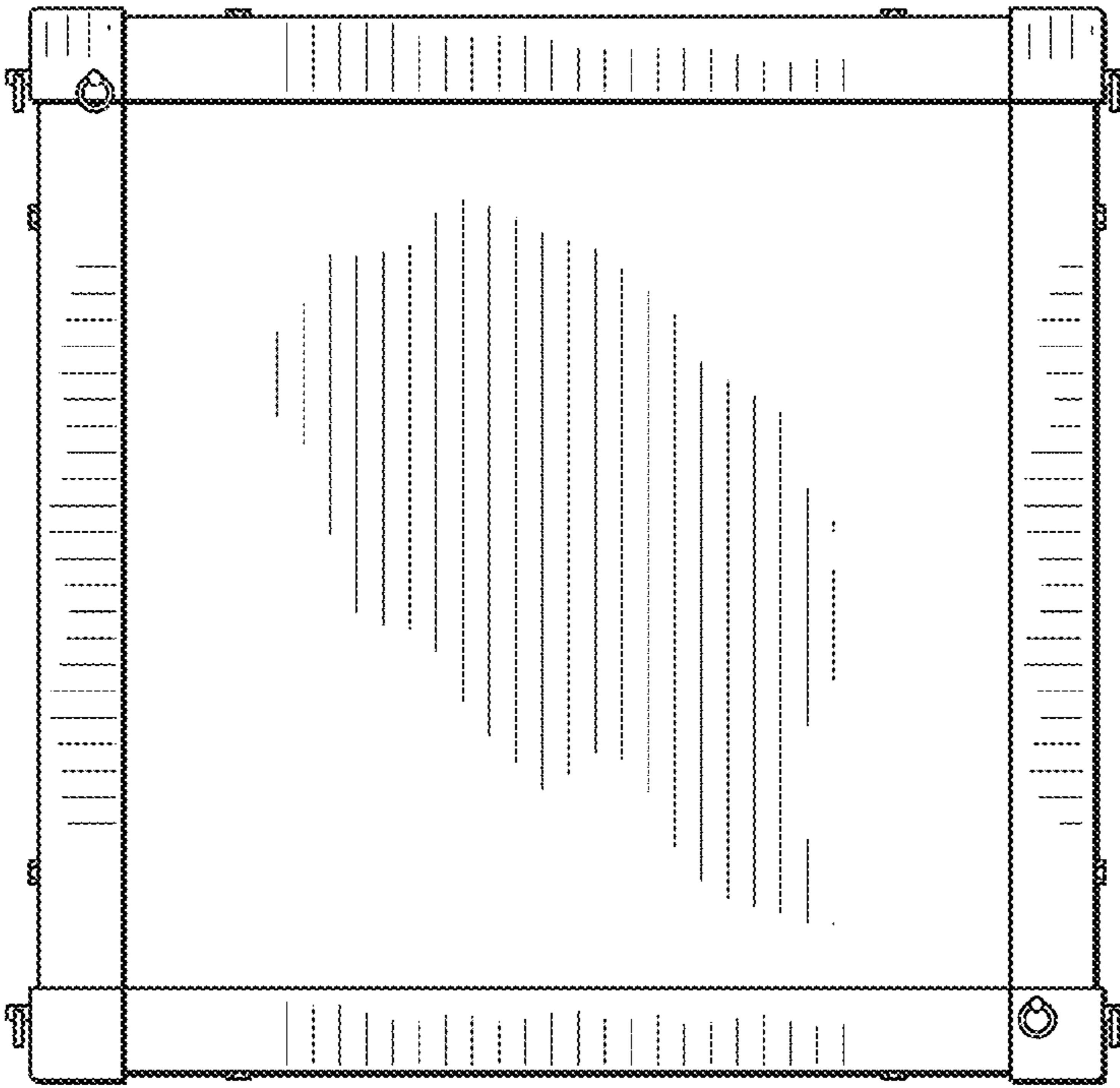


FIG. 4

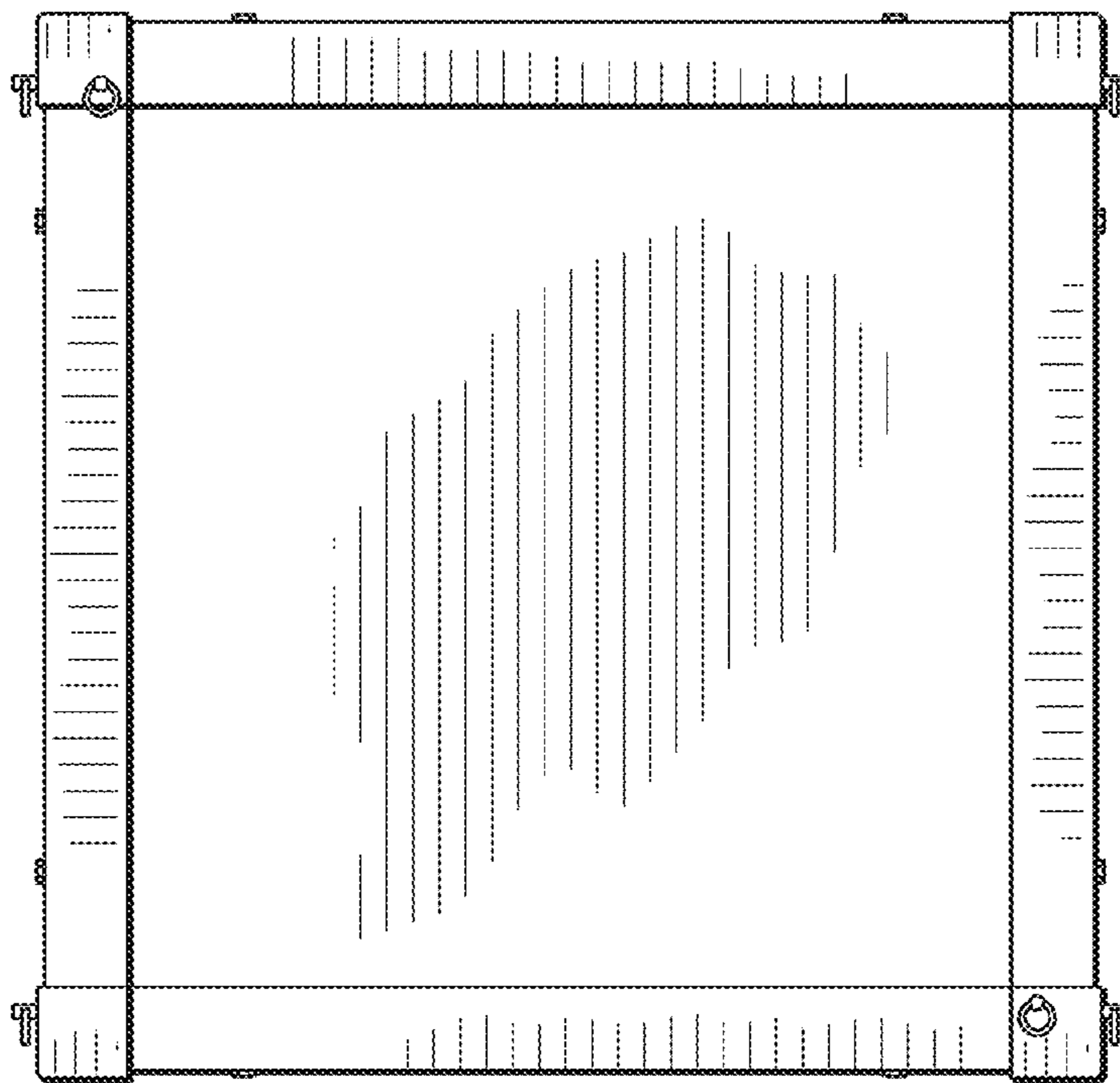


FIG. 5

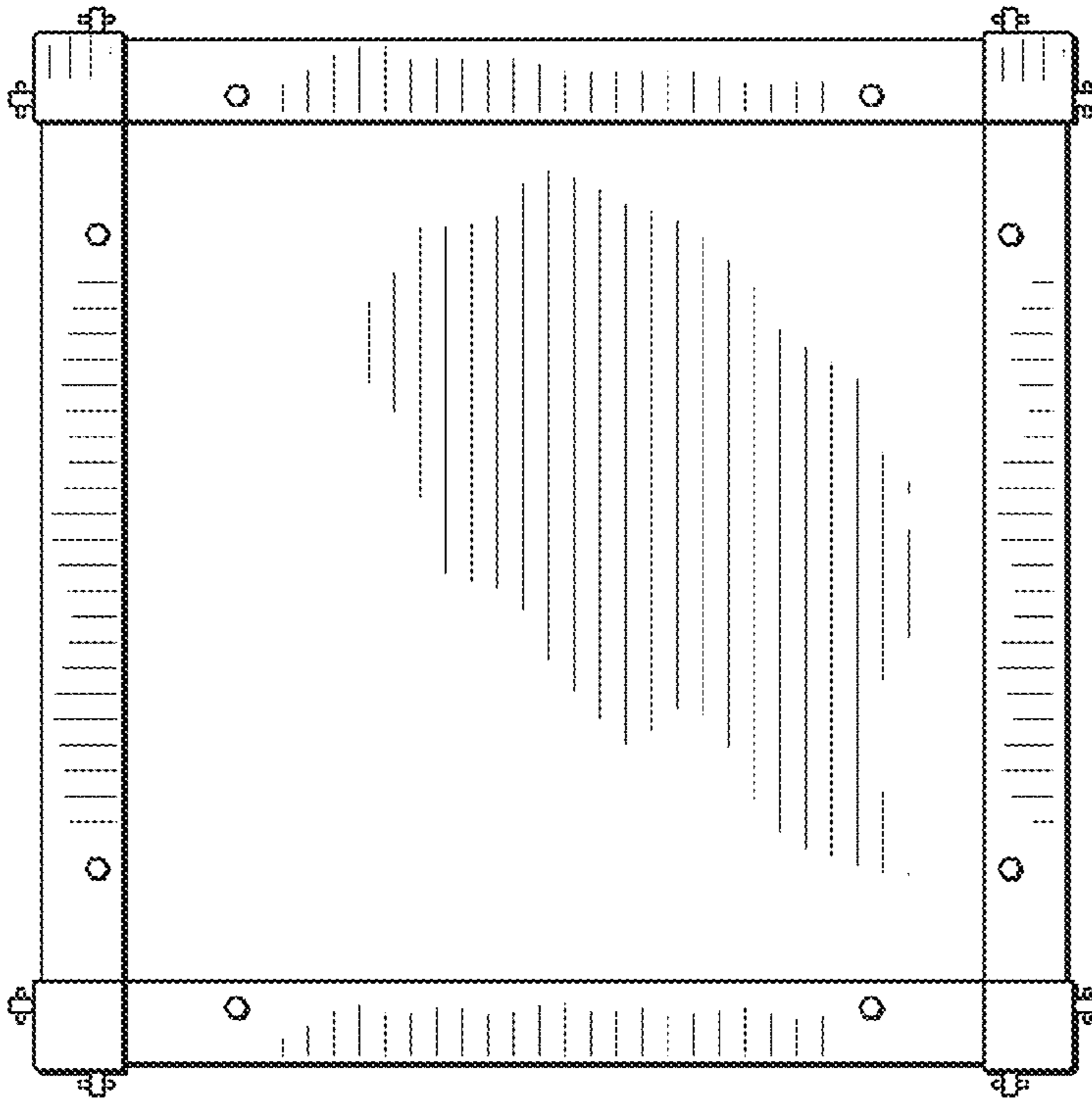


FIG. 6

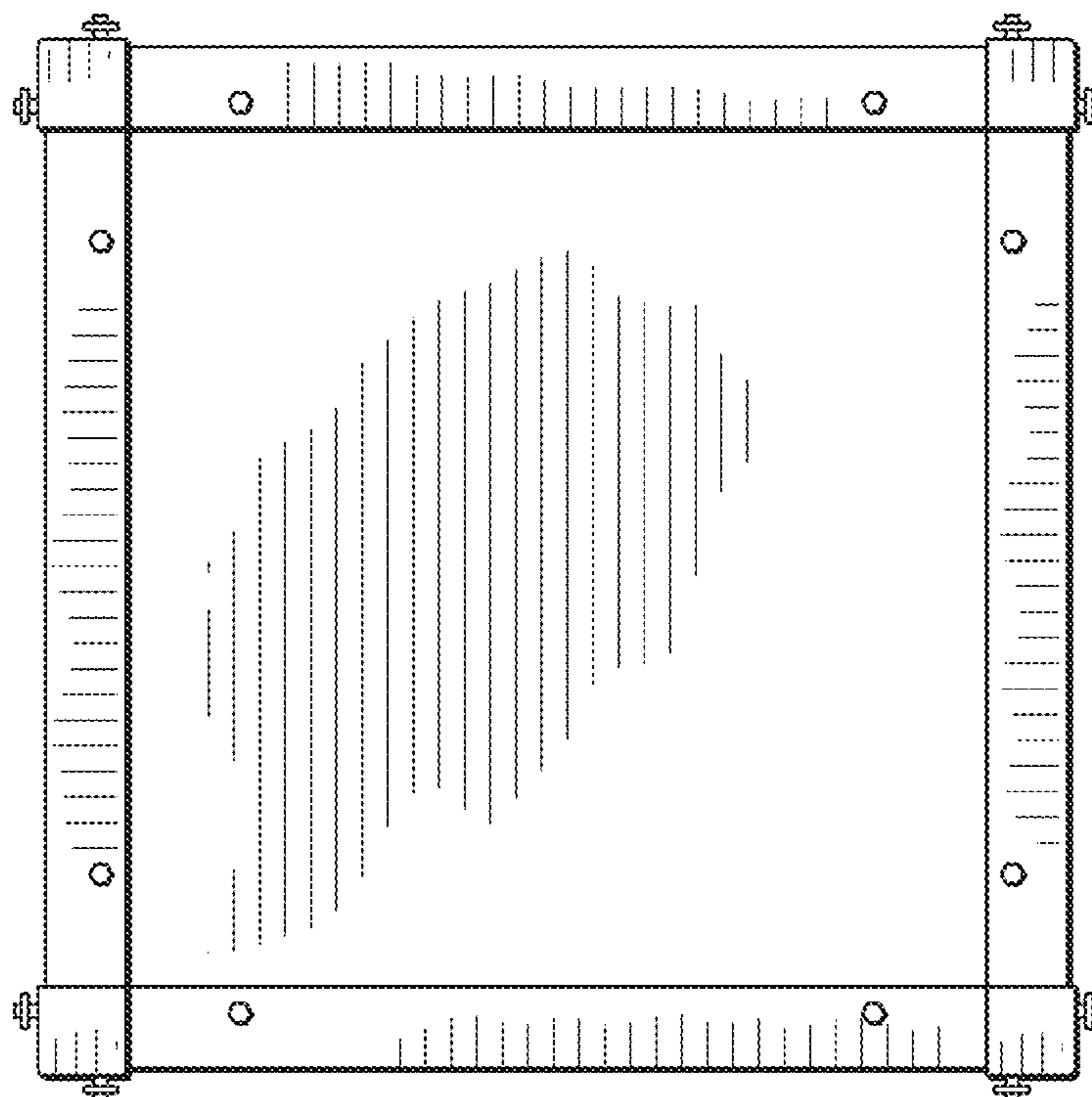
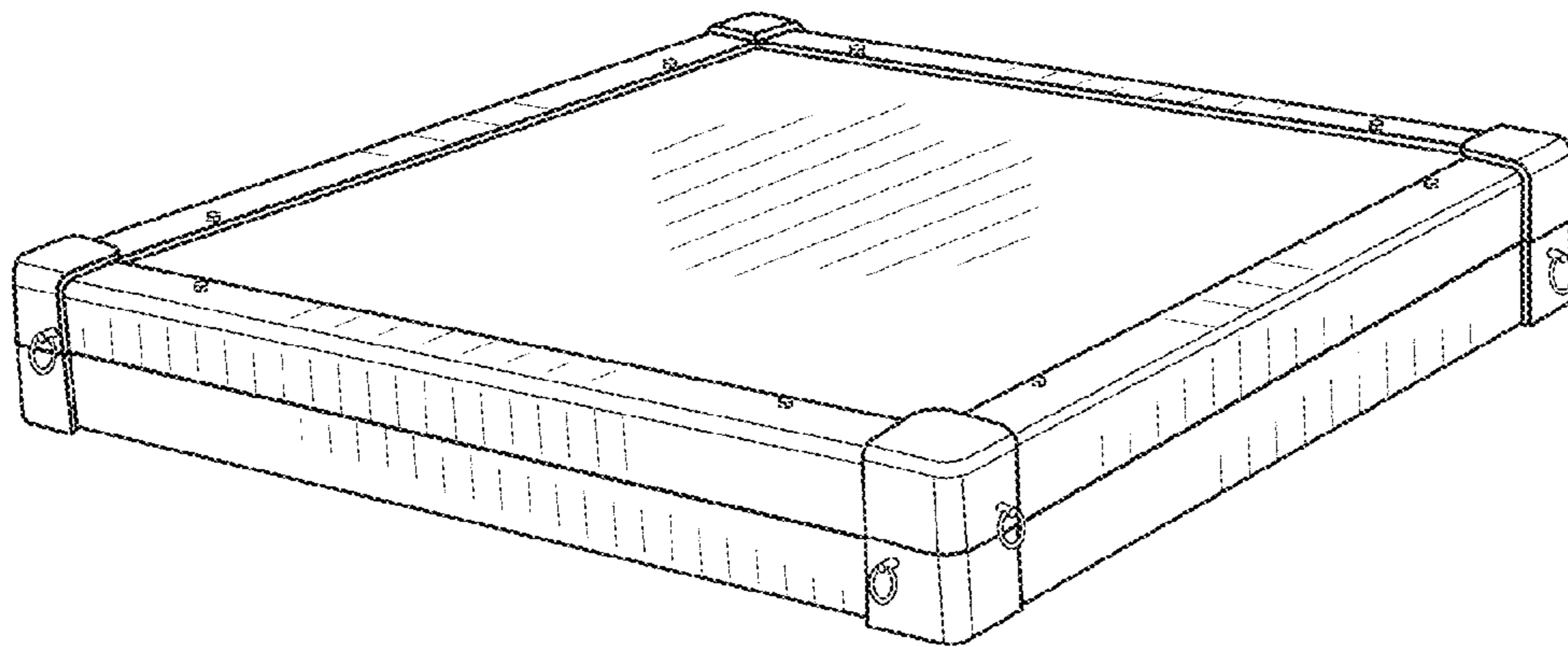


FIG. 7



*FIG. 8*

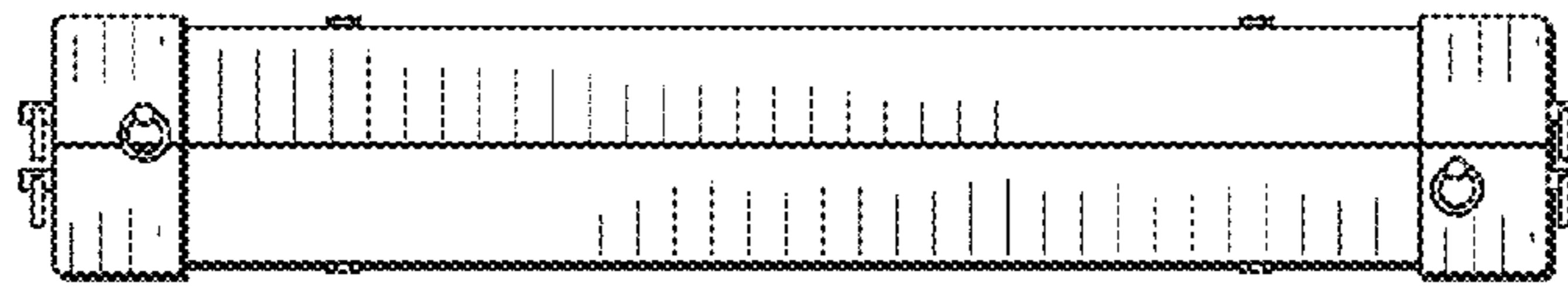


FIG. 9

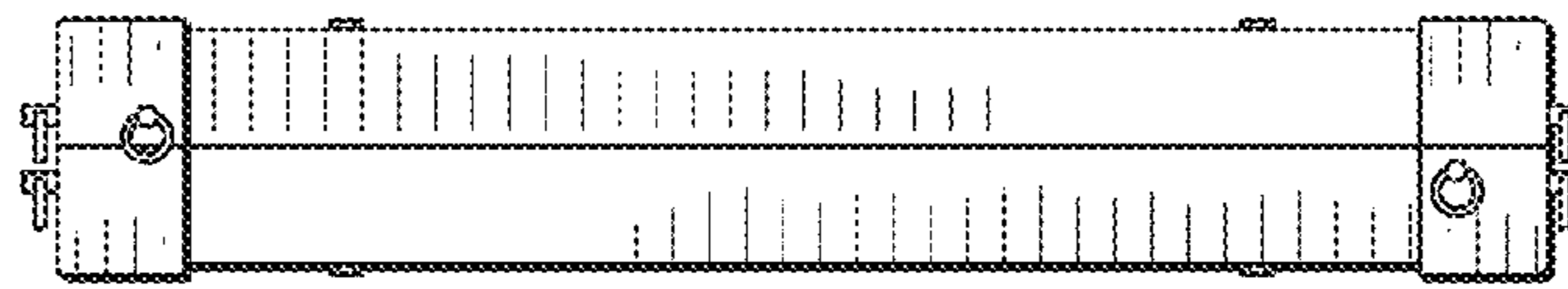


FIG. 10

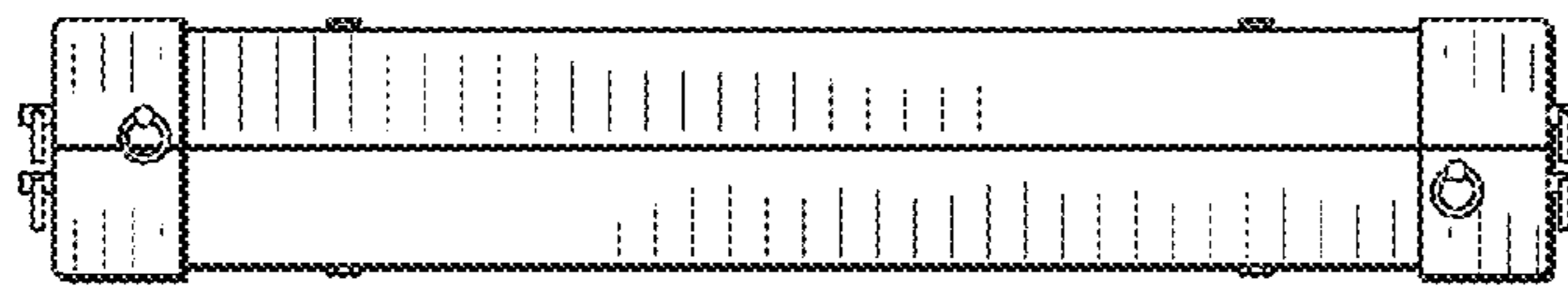


FIG. 11

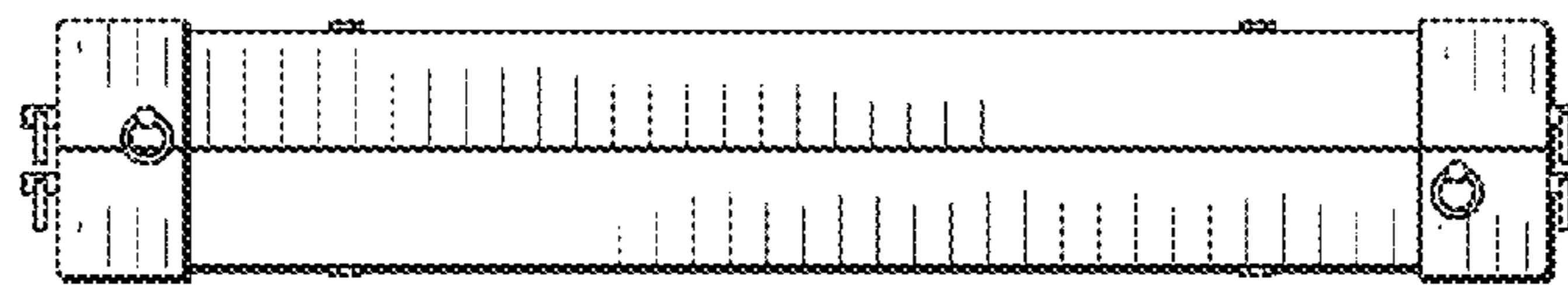


FIG. 12

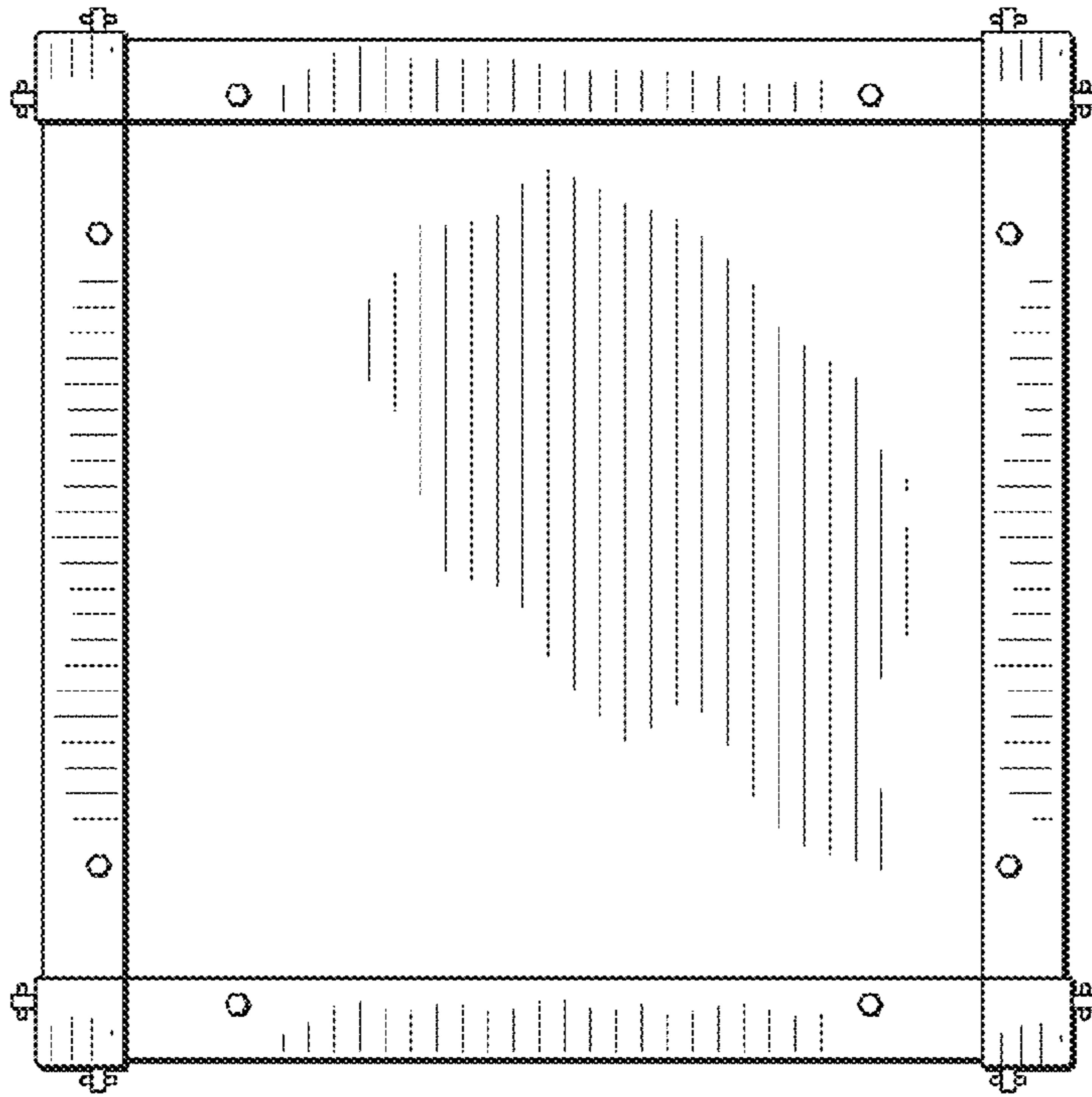


FIG. 13

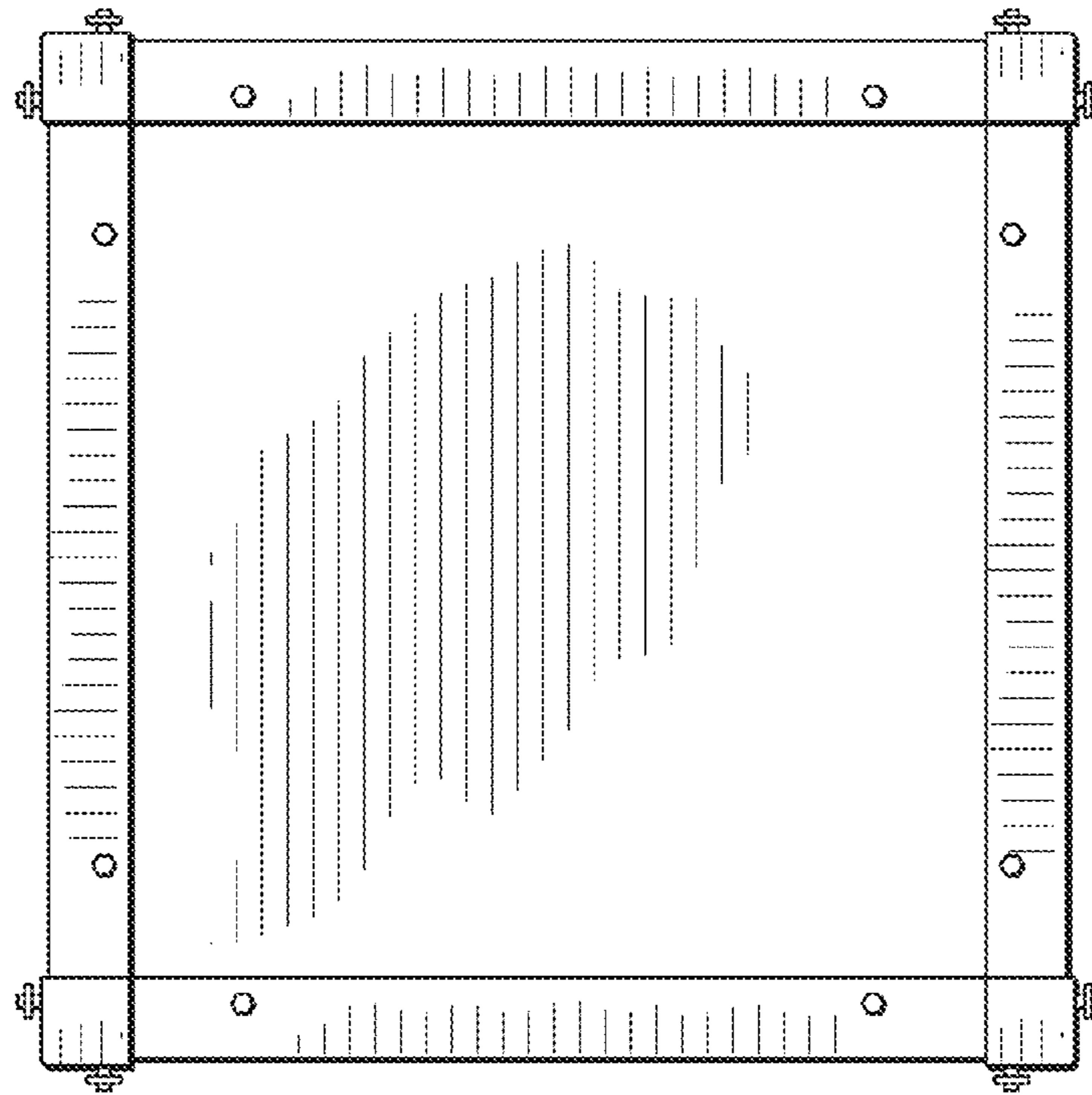


FIG. 14