



US00D721887S

(12) **United States Design Patent**
Romley

(10) **Patent No.:** **US D721,887 S**
(45) **Date of Patent:** **** Feb. 3, 2015**

(54) **KEY CHAIN CHARM**

- (71) Applicant: **Michael Romley**, Phoenix, AZ (US)
 - (72) Inventor: **Michael Romley**, Phoenix, AZ (US)
 - (**) Term: **14 Years**
 - (21) Appl. No.: **29/458,238**
 - (22) Filed: **Jun. 18, 2013**
 - (51) **LOC (10) Cl.** **03-01**
 - (52) **U.S. Cl.**
USPC **D3/211; D7/532**
 - (58) **Field of Classification Search**
USPC D3/207-211; D11/79-86, 1, 2, 7, 8,
D11/125; D7/507, 509, 523, 532, 515, 514,
D7/533, 510, 511, 619.1, 512, 536, 524,
D7/537, 528, 400; D9/429, 502, 538, 524;
215/13.1, 12.1; 220/630
- See application file for complete search history.

(56) **References Cited**

U.S. PATENT DOCUMENTS

D396,776 S *	8/1998	Hughes	D7/507
D405,387 S *	2/1999	Masello	D11/152
D523,587 S *	6/2006	Gill	D28/77
D570,159 S *	6/2008	McGill	D7/532
D639,691 S *	6/2011	James	D11/7
D675,482 S *	2/2013	Heggstad et al.	D7/512
D680,376 S *	4/2013	Romley	D7/528
D680,377 S *	4/2013	Romley	D7/532

OTHER PUBLICATIONS

- [Online] 2 oz shooter cup with lanyard. <http://shop.redcupliving.com/2-oz-shooter-cup-with-lanyard-pink/>. Retrieved Nov. 20, 2014.*
- [Online] ornament. <http://shop.redcupliving.com/ornament/>. Retrieved Nov. 20, 2014.*
- [Online] http://store.artsquest.org/prodimg/keychain_thumb.jpg. Retrieved Nov. 20, 2014.*

* cited by examiner

Primary Examiner — Garth Rademaker
Assistant Examiner — Melanie Pellegrini
(74) *Attorney, Agent, or Firm* — Venjuris, PC

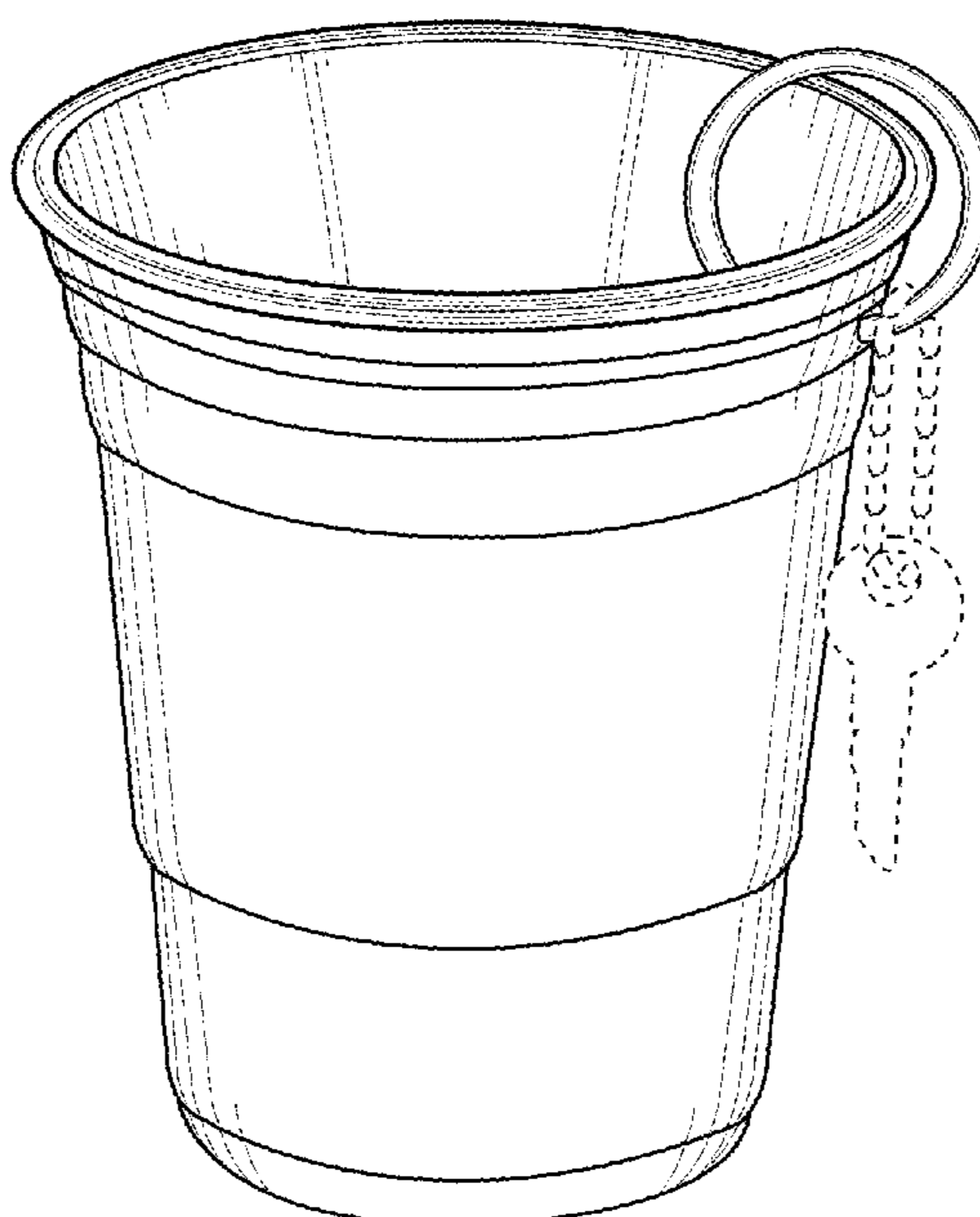
(57) **CLAIM**

The ornamental design for a key chain charm, as shown and described.

DESCRIPTION

FIG. 1 is a top front perspective view of a key chain charm embodying the new design;
FIG. 2 is a side view of the key chain charm of FIG. 1;
FIG. 3 is a side view of the key chain charm of FIG. 1;
FIG. 4 is a side view of the key chain charm of FIG. 1; and,
FIG. 5 is a top view of the key chain charm of FIG. 1.
The broken lines showing a key chain and key represent environmental matter and form no part of the claimed design.

1 Claim, 3 Drawing Sheets



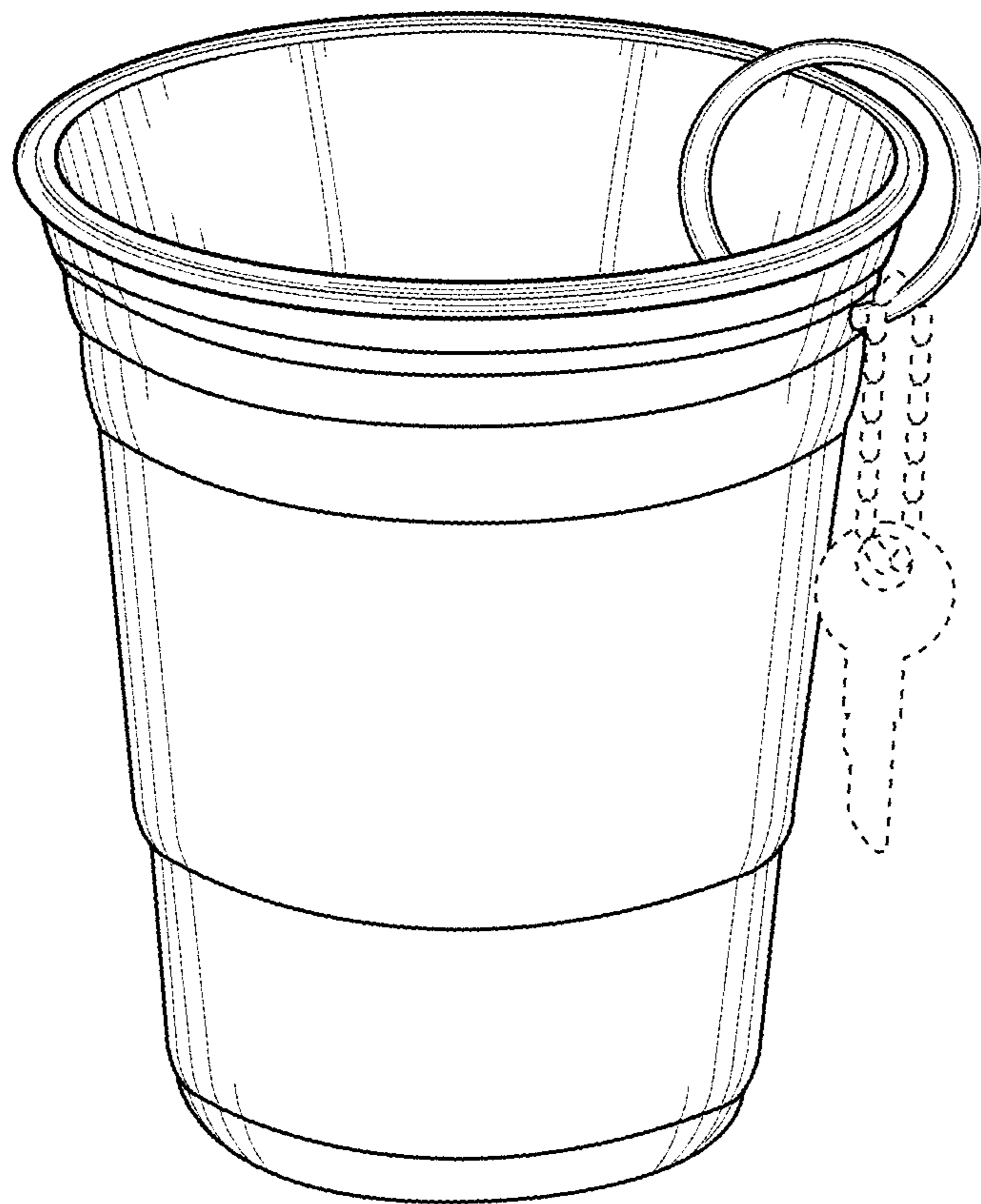


FIG. 1

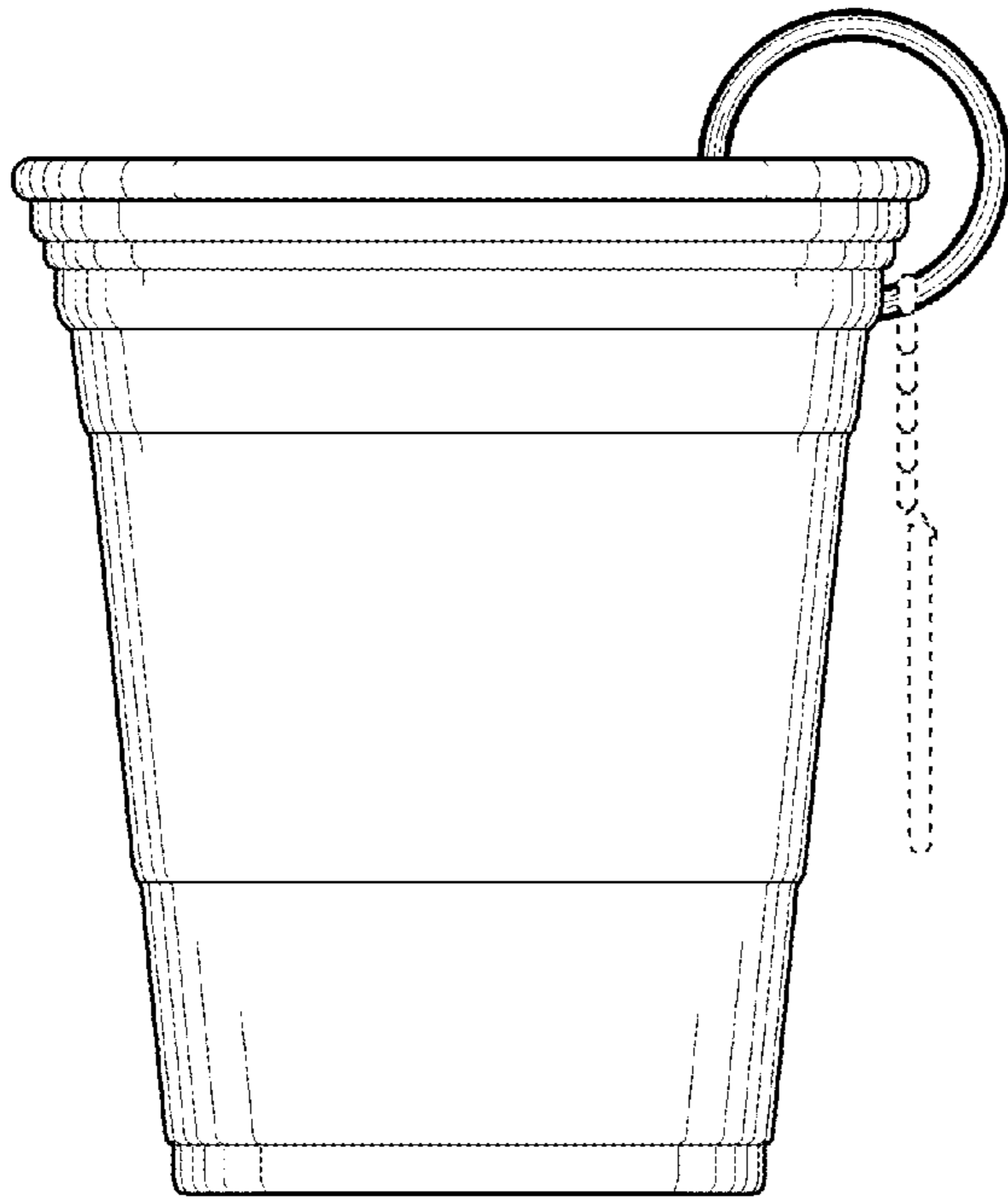


FIG. 2

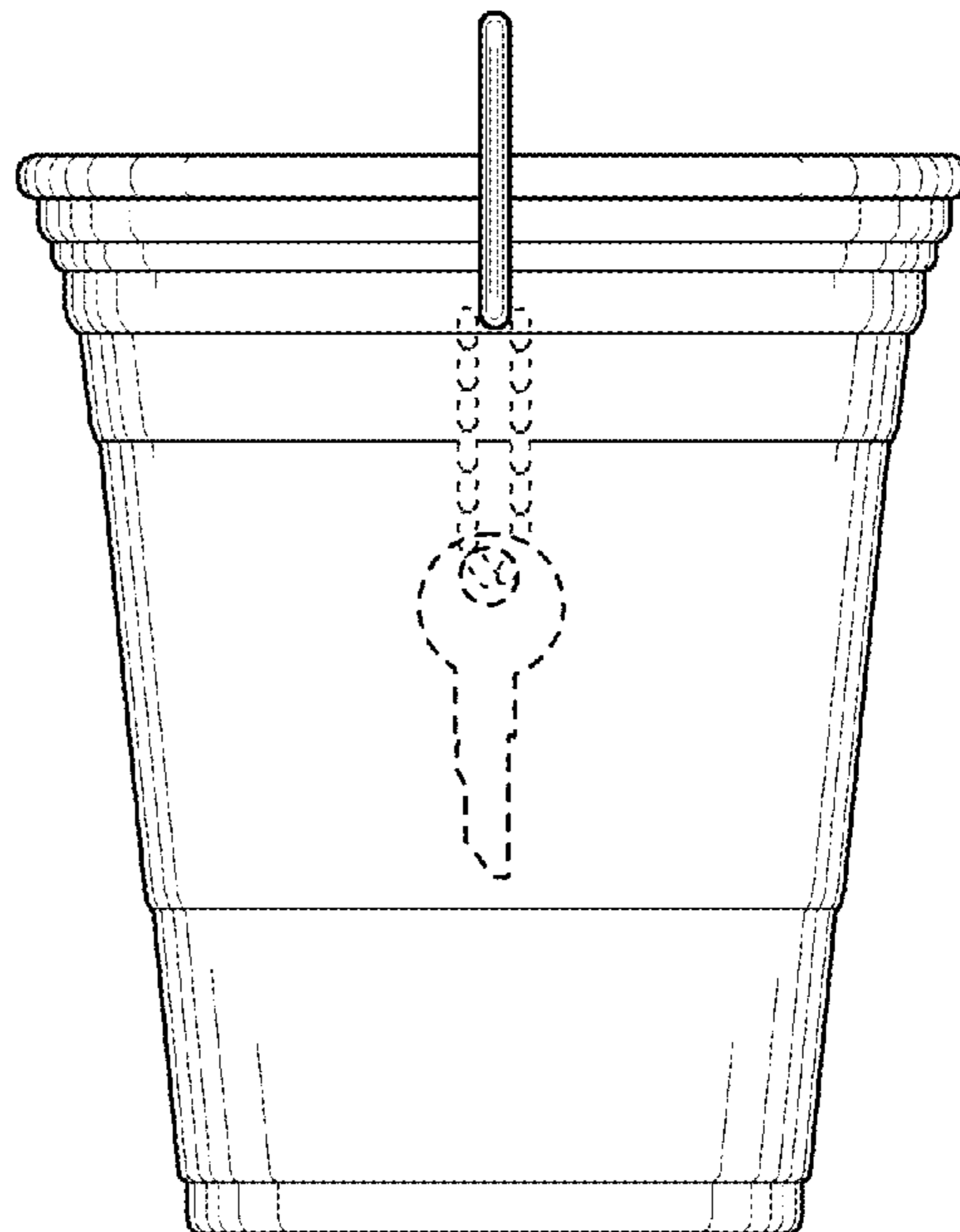


FIG. 3

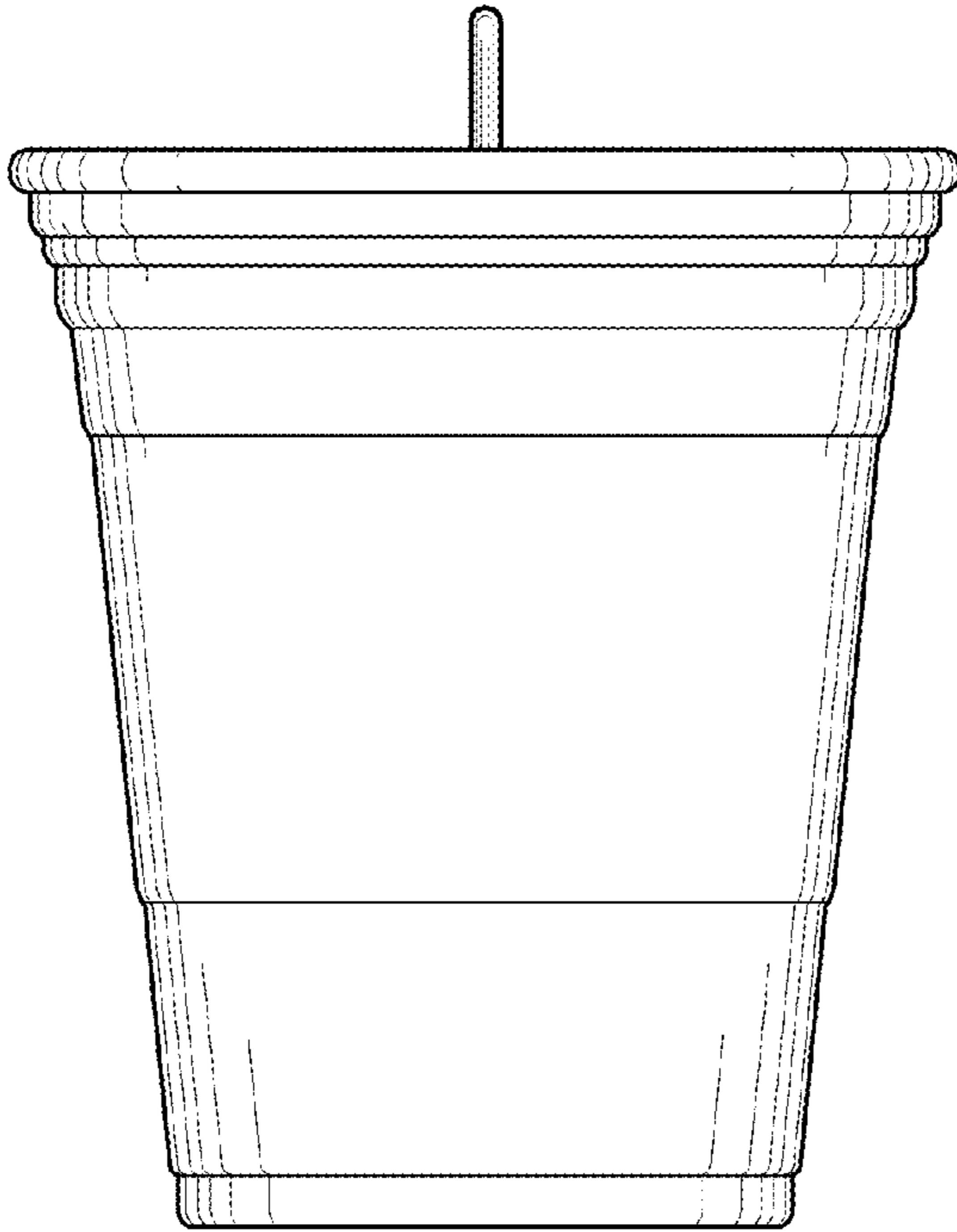


FIG. 4

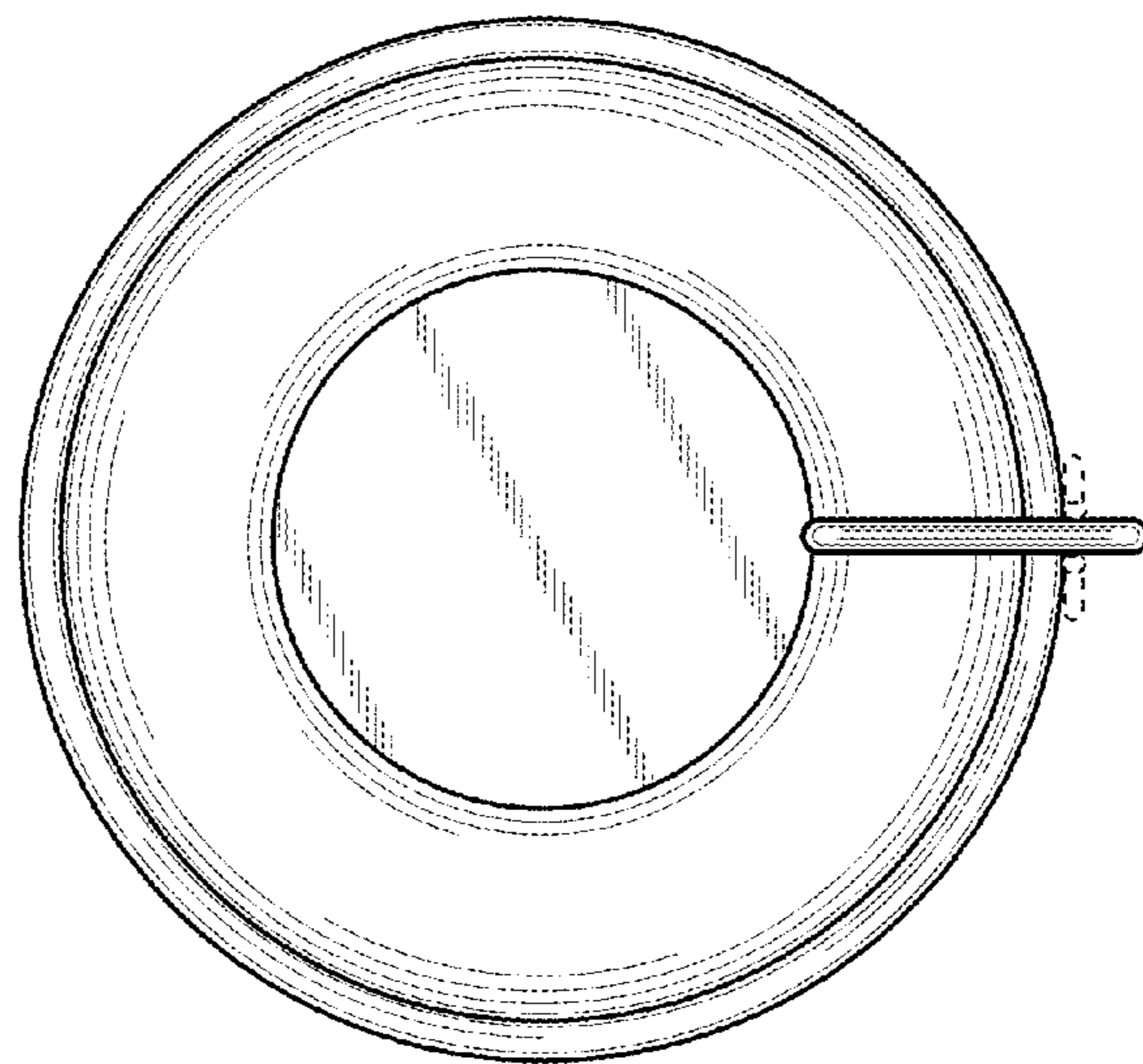


FIG. 5