



US00D721886S

(12) **United States Design Patent**
Elazar

(10) **Patent No.:** **US D721,886 S**

(45) **Date of Patent:** **** Feb. 3, 2015**

(54) **BEACH UMBRELLA BASE**

(71) Applicant: **Abrao Agranionik Elazar**, Moshav Elazar (IL)

(72) Inventor: **Abrao Agranionik Elazar**, Moshav Elazar (IL)

(**) Term: **14 Years**

(21) Appl. No.: **29/466,737**

(22) Filed: **Sep. 11, 2013**

(51) **LOC (10) Cl.** **03-03**

(52) **U.S. Cl.**
USPC **D3/10**

(58) **Field of Classification Search**
USPC D3/5, 10; 135/15.1, 33.2, 20.1; 248/533
See application file for complete search history.

(56) **References Cited**

U.S. PATENT DOCUMENTS

1,636,617	A *	7/1927	Benjiman	52/160
1,844,273	A *	2/1932	Colvin	52/162
2,876,974	A *	3/1959	Liftman	248/533
4,712,762	A *	12/1987	Liedle	248/533
4,714,225	A *	12/1987	Skinner et al.	248/523
4,753,411	A *	6/1988	Lechner et al.	248/533
4,850,564	A *	7/1989	Padin	248/533
5,271,196	A *	12/1993	Fanti	52/166
5,354,031	A *	10/1994	Bilotti	248/519
5,979,844	A *	11/1999	Hopkins	248/158
6,164,613	A *	12/2000	Williams	248/533
6,511,033	B2 *	1/2003	Li	248/519
6,612,320	B2 *	9/2003	Lin et al.	135/33.41
D550,950	S *	9/2007	Vanderminden	D3/10
D574,143	S *	8/2008	Smith et al.	D3/10

7,641,156	B2 *	1/2010	Medders et al.	248/125.8
8,047,217	B1 *	11/2011	Schermerhorn, Jr.	135/118
D655,531	S *	3/2012	Gharst	D6/416
2002/0185167	A1 *	12/2002	Lin et al.	135/16

* cited by examiner

Primary Examiner — John Windmuller

(74) *Attorney, Agent, or Firm* — Blue Filament Law PLLC; Avery N. Goldstein

(57) **CLAIM**

I claim, the ornamental design for a closed beach umbrella base, as shown and described.

DESCRIPTION

FIG. 1 is a top perspective view of a beach umbrella base showing my new design;

FIG. 2 is a bottom perspective view thereof;

FIG. 3 is a rear view thereof;

FIG. 4 is a front view thereof;

FIG. 5 is a side view thereof;

FIG. 6 is a top view thereof; and,

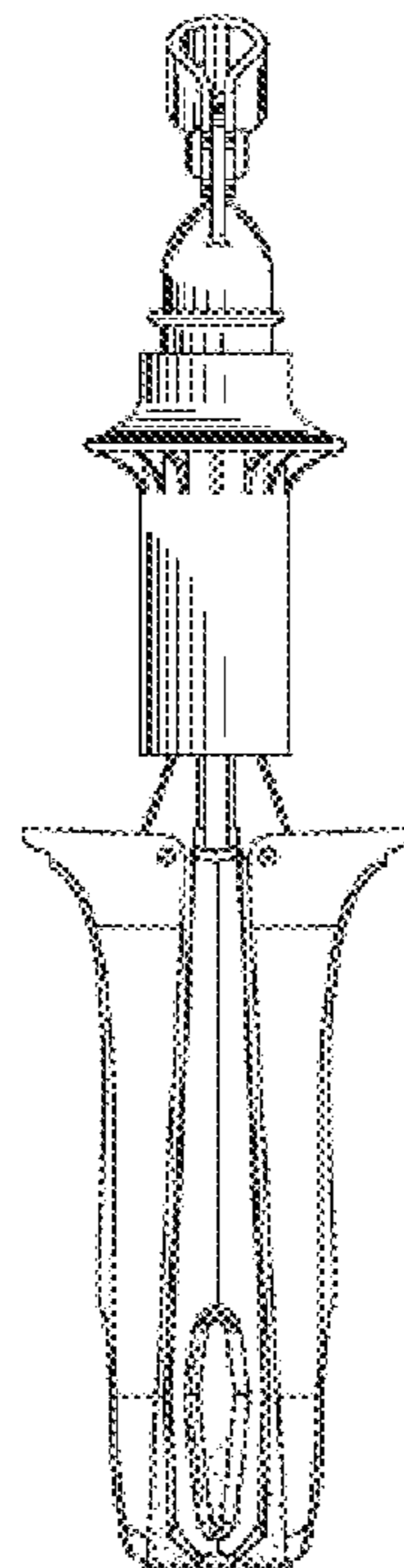
FIG. 7 is a bottom view thereof.

The broken lines in the figures depict portions of the beach umbrella base that form no part of the claimed design.

The surface shading lines (e.g., the vertical and horizontal parallel lines) on the claimed portion are provided only to indicate the character and/or any contour or curvature of the surfaces. They do not indicate color, texture, or markings that actually exist thereon, indicia, graphic representations, surface treatment, or any other ornamentation applied to the beach umbrella base.

The matting of the beach umbrella base in FIGS. 1-5 through the beach umbrella base legs, is shown with stippling, to indicate a soft texture.

1 Claim, 3 Drawing Sheets



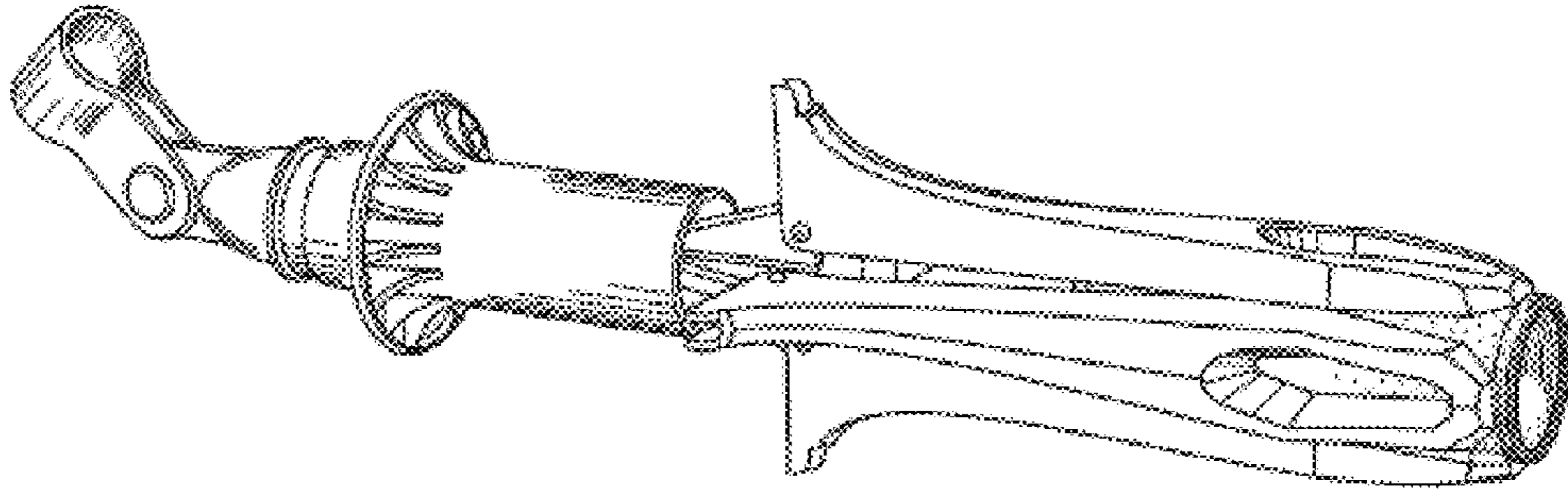


FIGURE 2

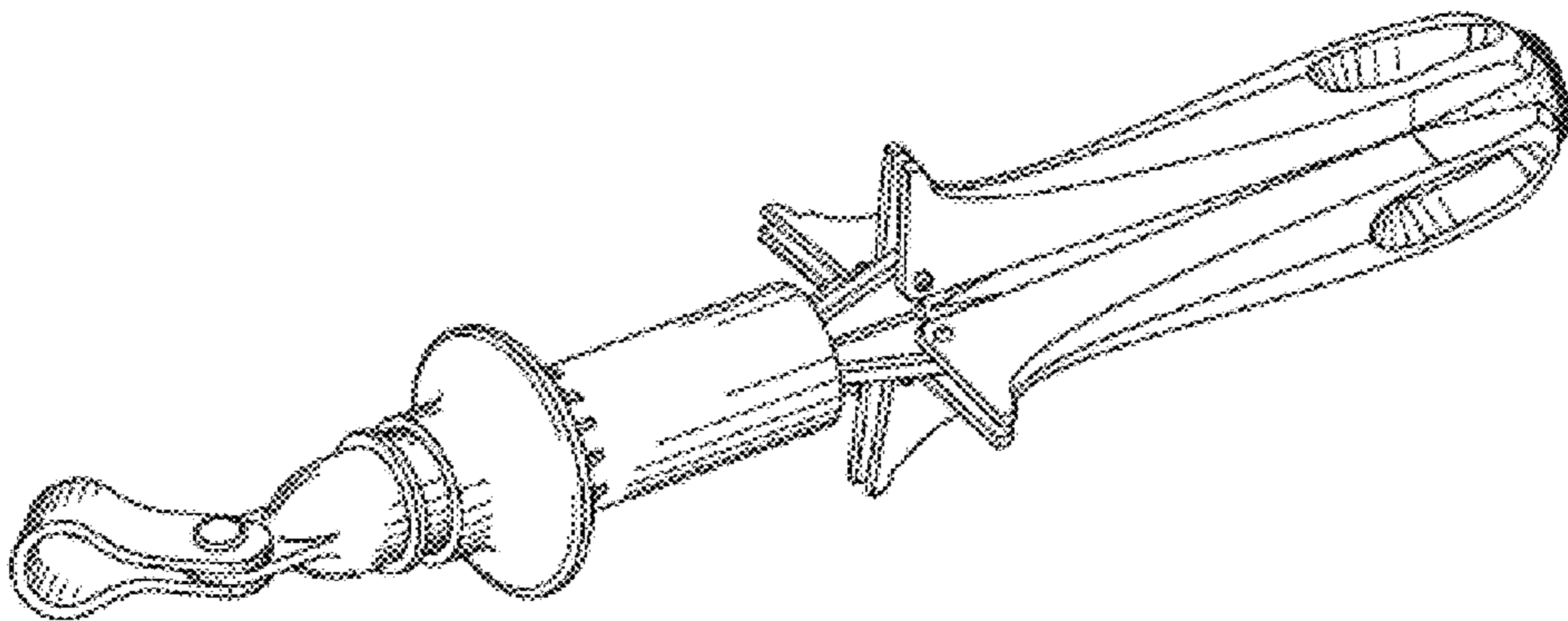


FIGURE 1

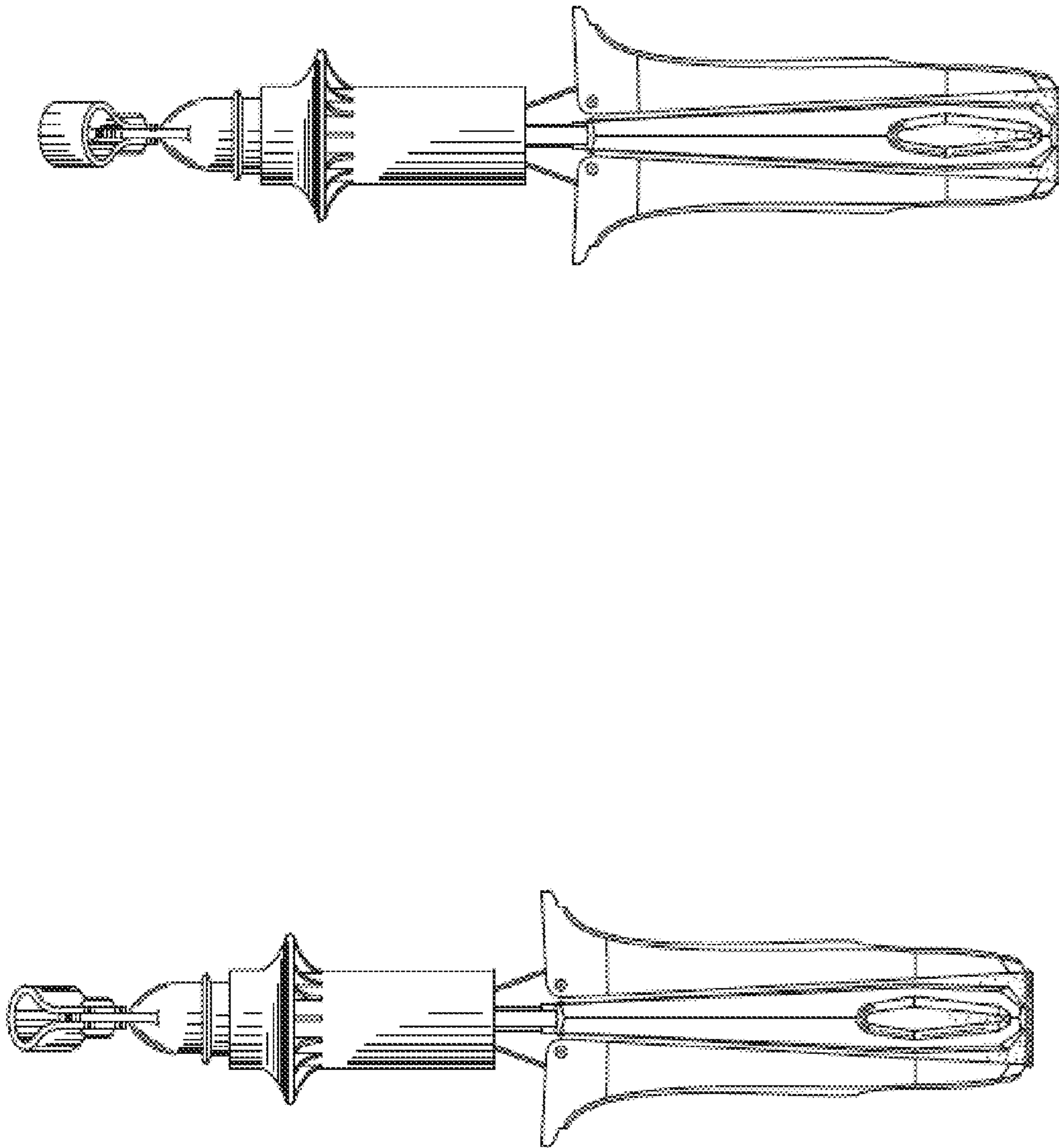


FIGURE 4

FIGURE 3

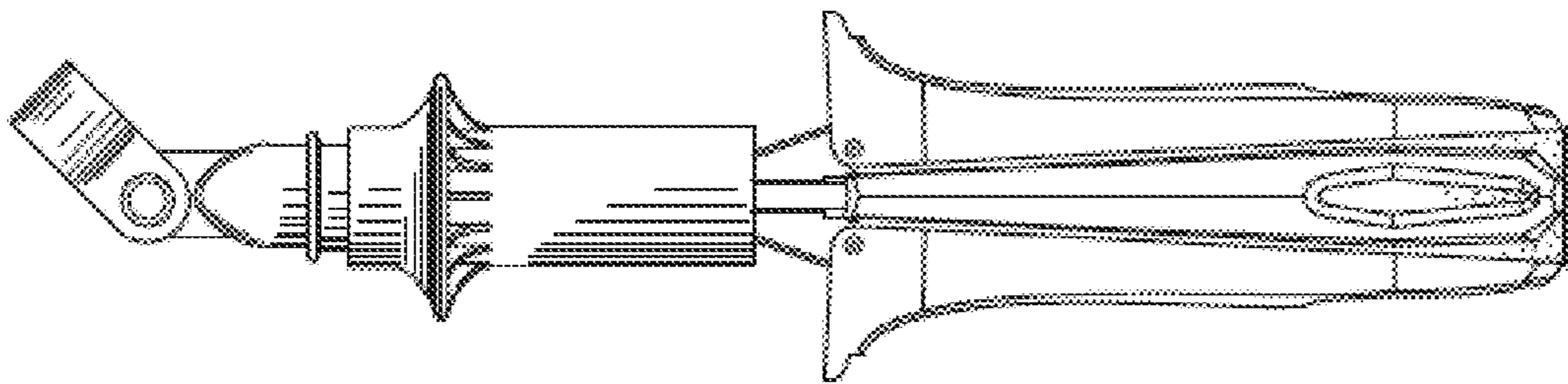


FIGURE 5

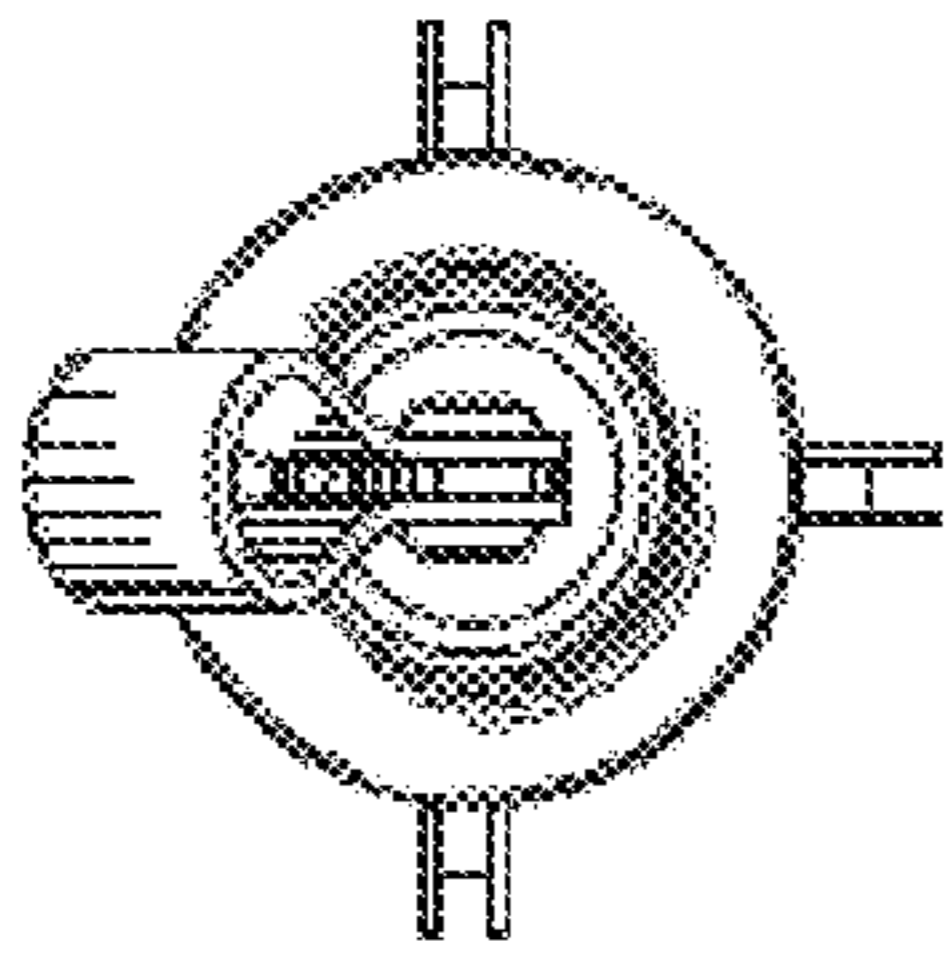


FIGURE 6

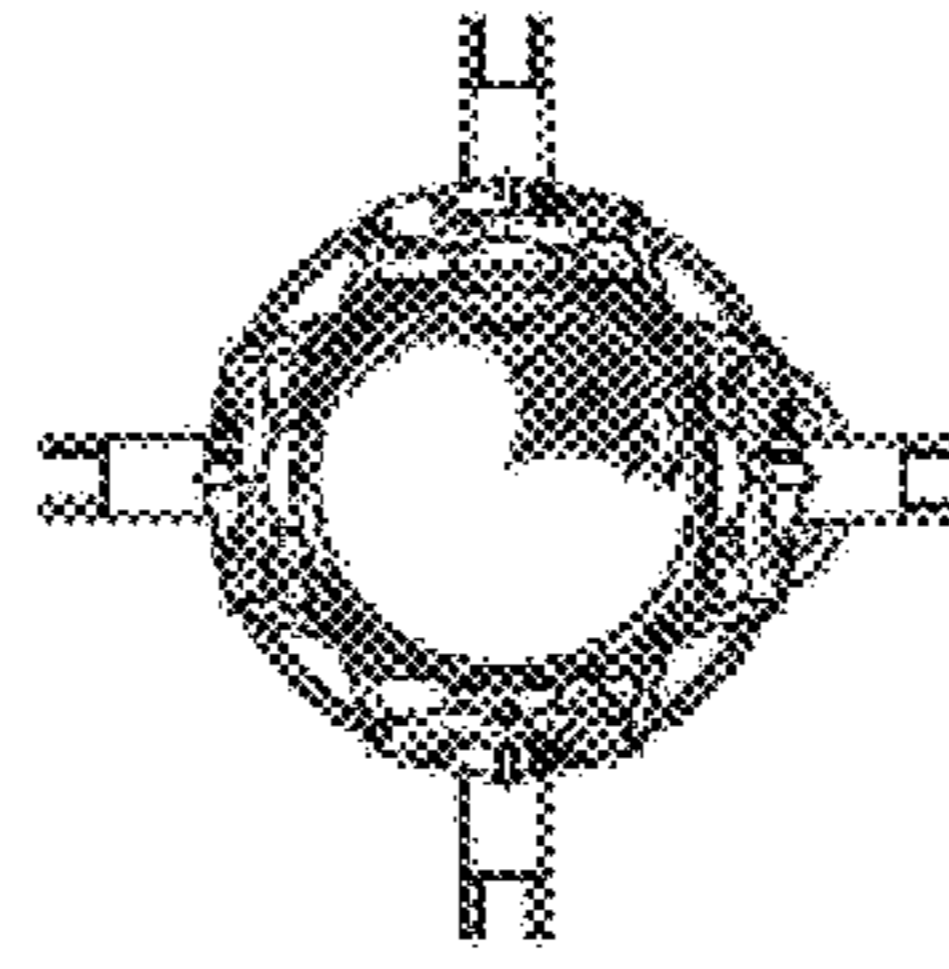


FIGURE 7