



US00D721883S

(12) **United States Design Patent**
Burt et al.

(10) **Patent No.:** **US D721,883 S**

(45) **Date of Patent:** **** Feb. 3, 2015**

(54) **FOOTWEAR CLEAT**

(71) Applicant: **Pride Manufacturing Company, LLC**,
Brentwood, TN (US)

(72) Inventors: **John Robert Burt**, Chandler, AZ (US);
Lee Paul Shuttleworth, Birmingham
(GB)

(73) Assignee: **Pride Manufacturing Company, LLC**,
Brentwood, TN (US)

(**) Term: **14 Years**

(21) Appl. No.: **29/440,268**

(22) Filed: **Dec. 20, 2012**

(51) **LOC (10) Cl.** **02-04**

(52) **U.S. Cl.**
USPC **D2/962**

(58) **Field of Classification Search**
USPC D2/906, 962; 36/59 R, 67 A, 67 D, 134
See application file for complete search history.

(56) **References Cited**

U.S. PATENT DOCUMENTS

5,940,993	A *	8/1999	Ronci	36/134
D450,915	S *	11/2001	McMullin	D2/962
D468,084	S *	1/2003	Lin	D2/962

D510,179	S *	10/2005	McMullin	D2/962
D575,487	S *	8/2008	Carruthers	D2/962
D577,480	S *	9/2008	Ortley et al.	D2/962
2005/0108902	A1 *	5/2005	McMullin	36/127
2007/0277399	A1 *	12/2007	Dow et al.	36/134

* cited by examiner

Primary Examiner — Stella Reid

Assistant Examiner — Janice Lim

(74) *Attorney, Agent, or Firm* — Edell, Shapiro & Finnan,
LLC

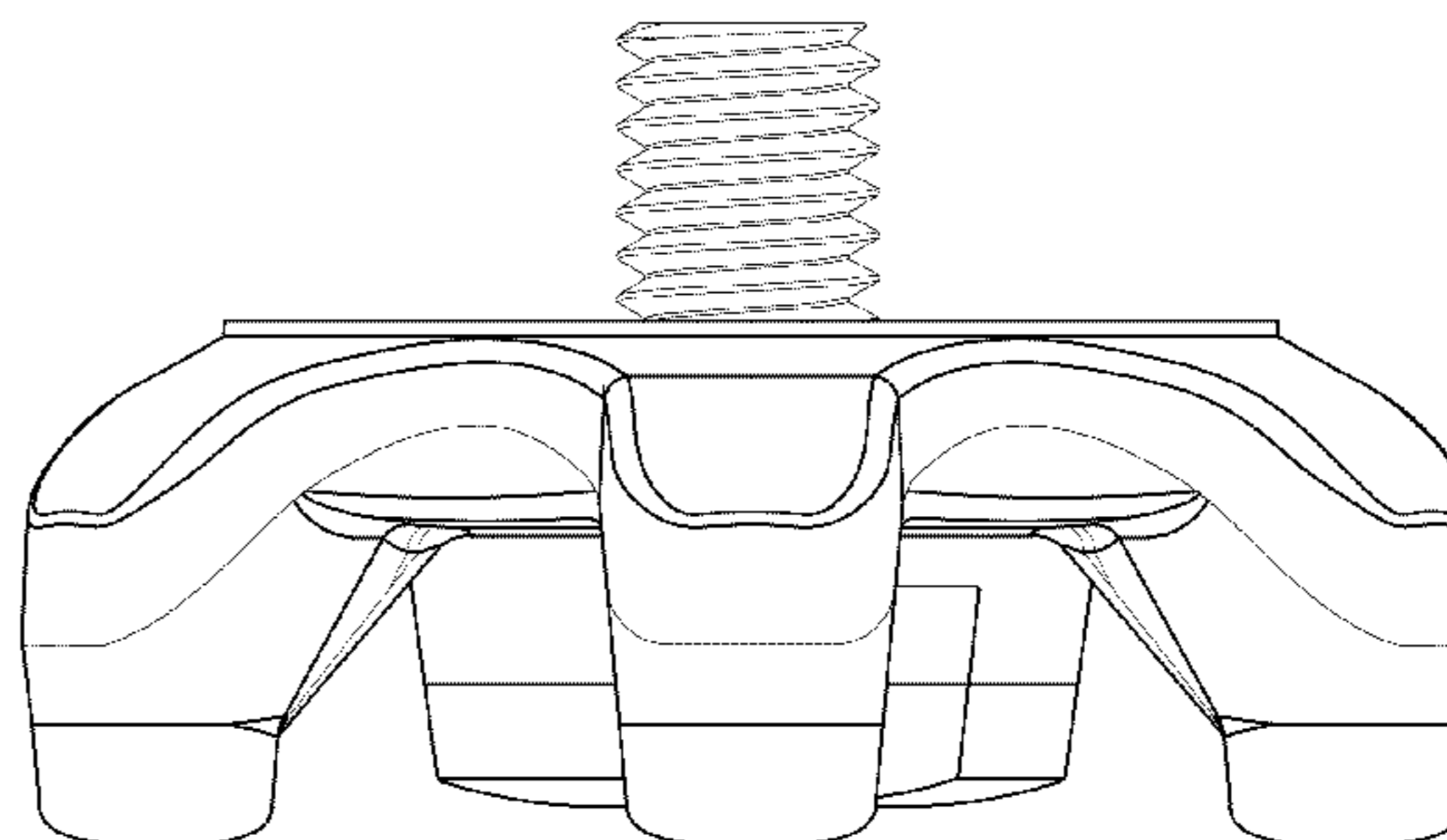
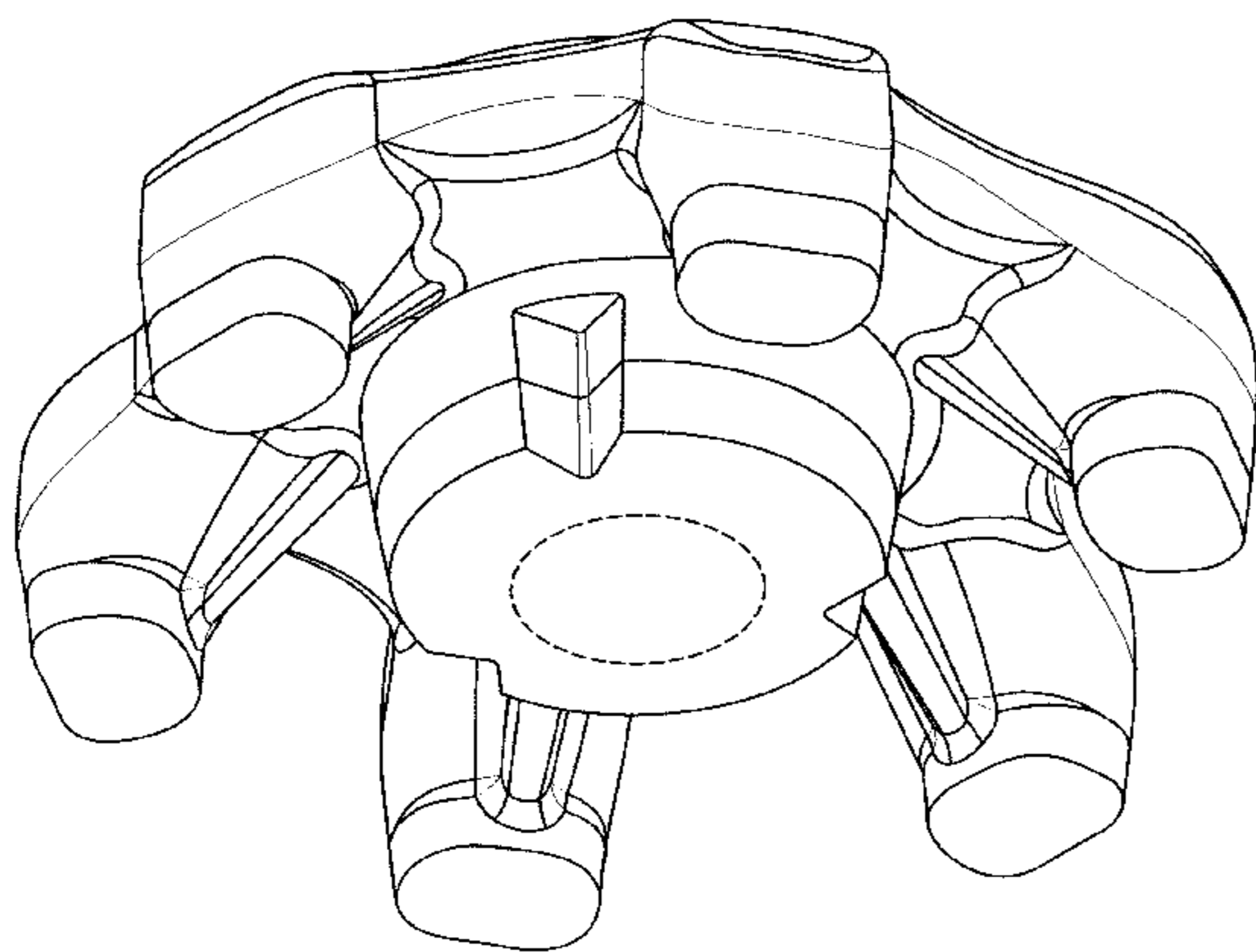
(57) **CLAIM**

The ornamental design for a footwear cleat, as shown and described.

DESCRIPTION

FIG. 1 is a bottom perspective view of a footwear cleat, showing our new design;
FIG. 2 is a bottom plan view thereof;
FIG. 3 is a top plan view thereof;
FIG. 4 is a front elevation view thereof;
FIG. 5 is a rear elevation view thereof;
FIG. 6 is a left side elevation view thereof; and,
FIG. 7 is a right side elevation view thereof.
The broken lines portions of FIGS. 1-3 are included to show unclaimed subject matter only and form no part of the claimed design.

1 Claim, 7 Drawing Sheets



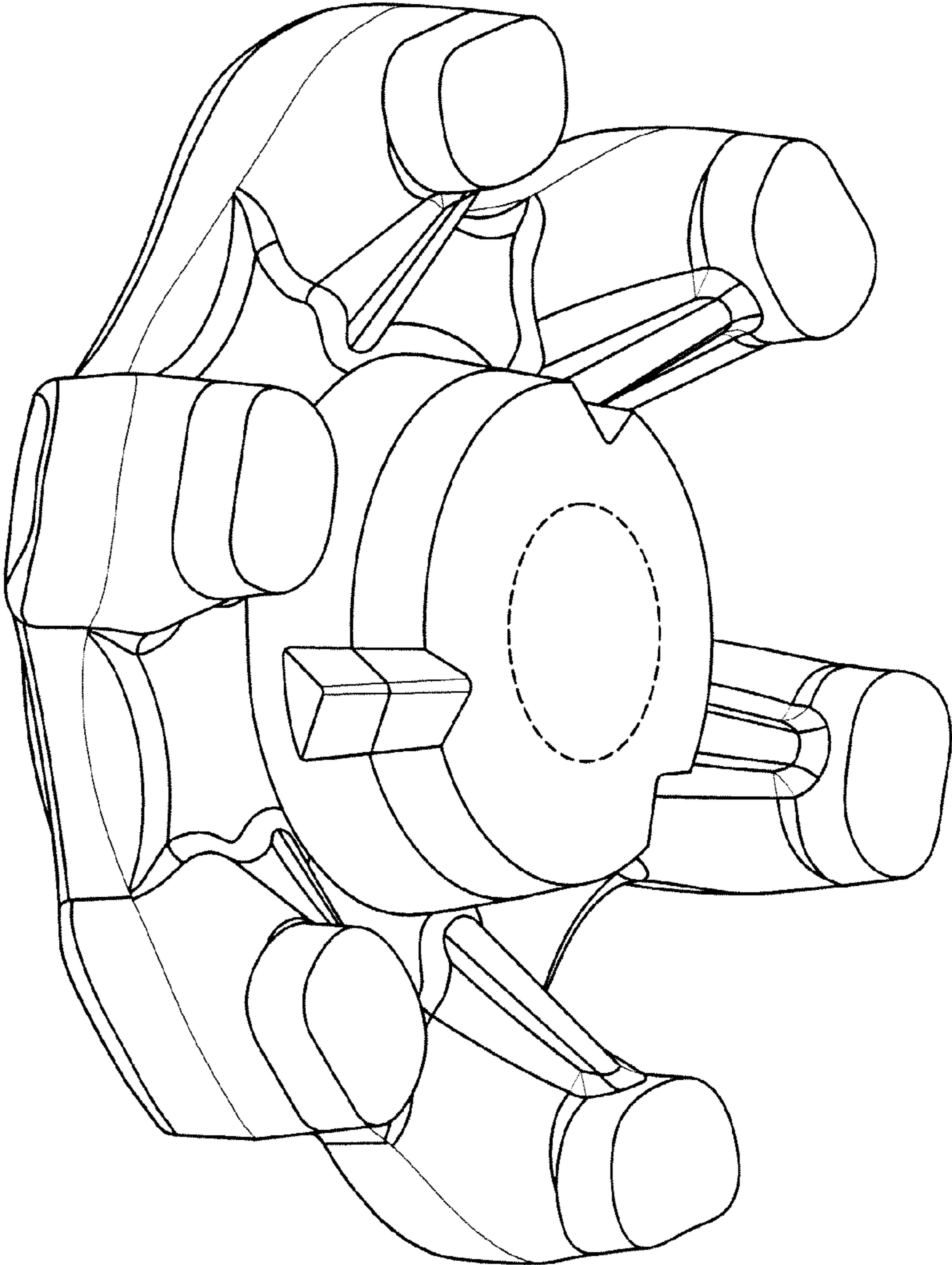


FIG.1

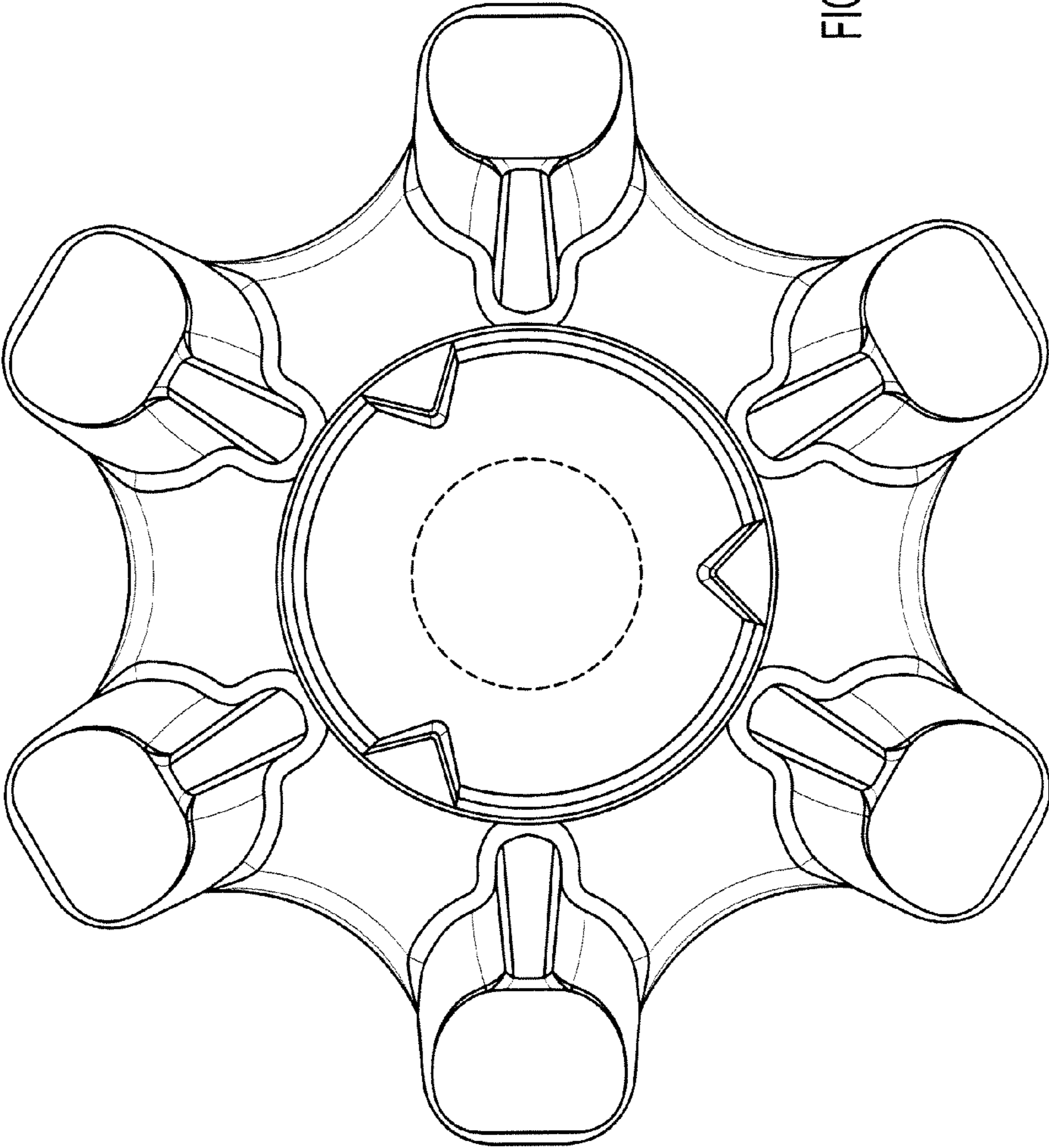
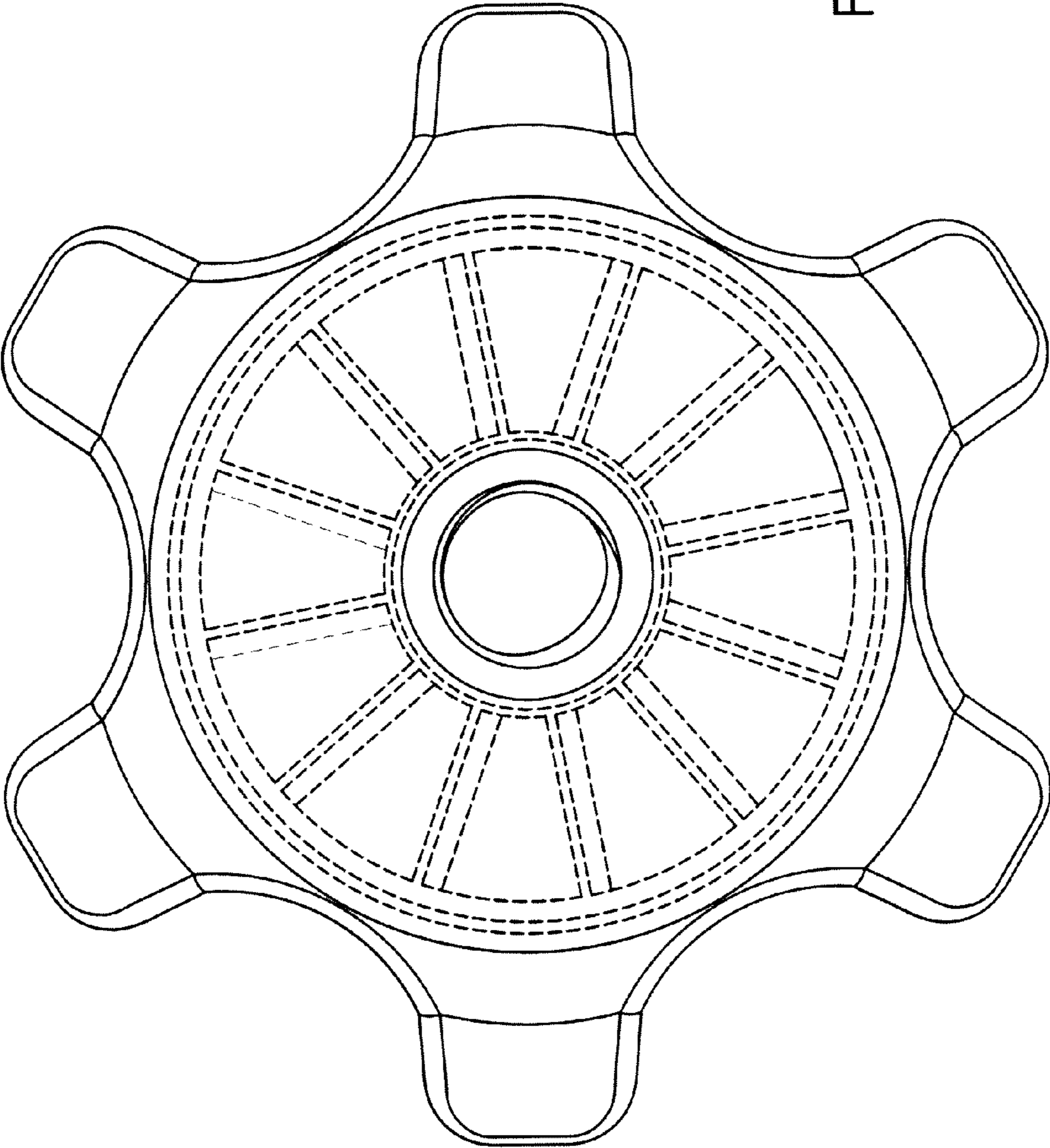


FIG. 2

FIG. 3



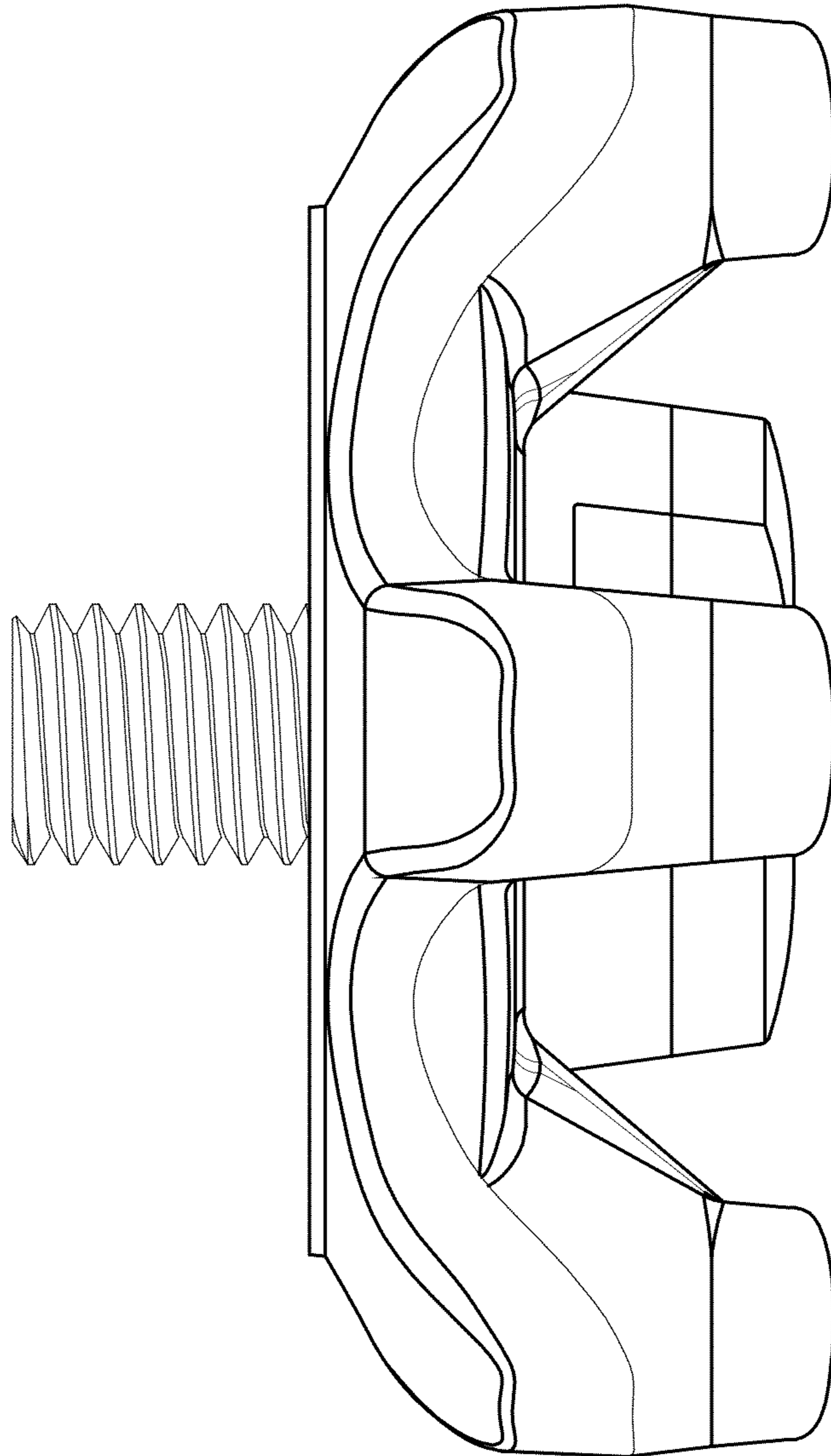


FIG.4

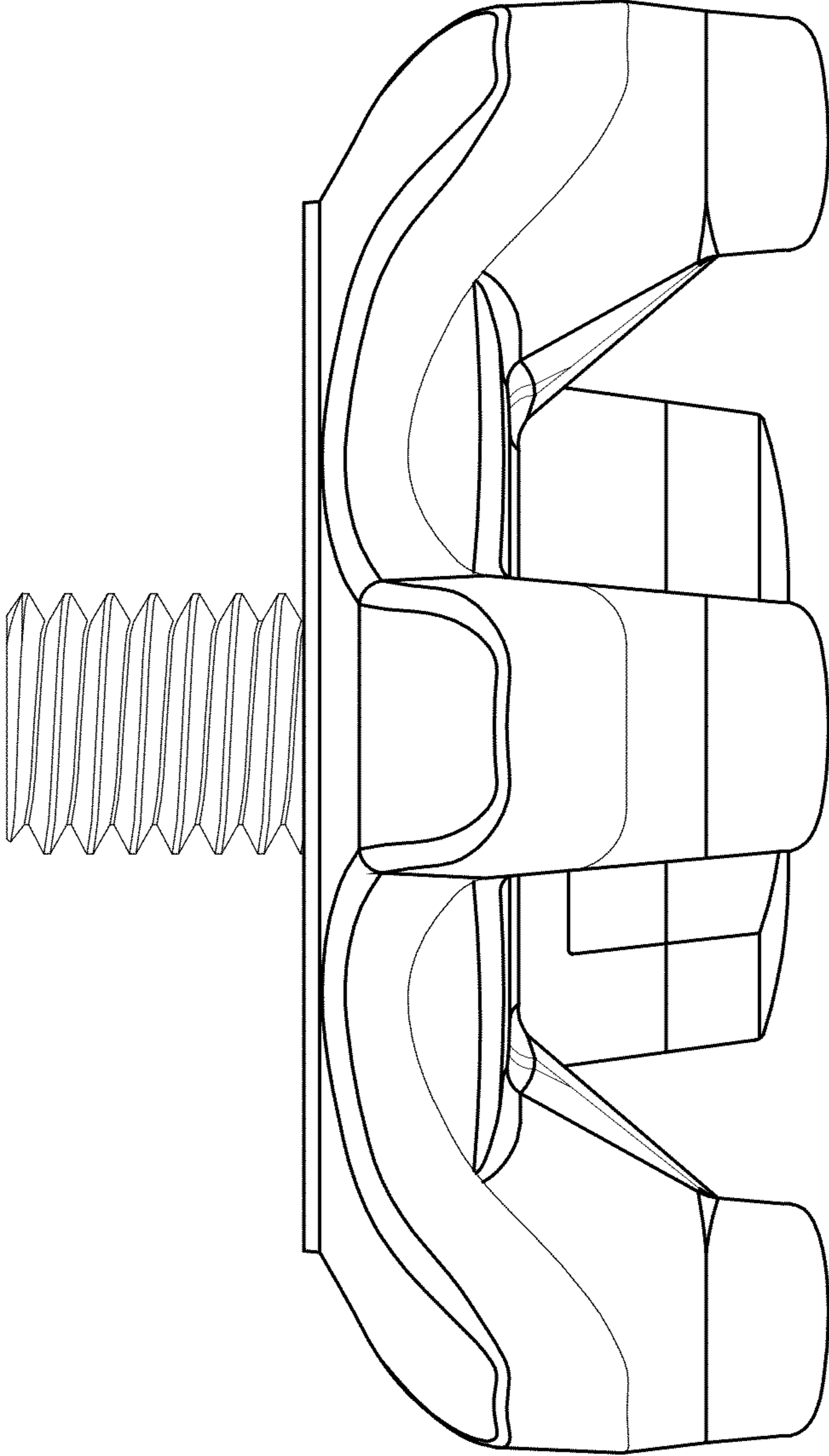


FIG.5

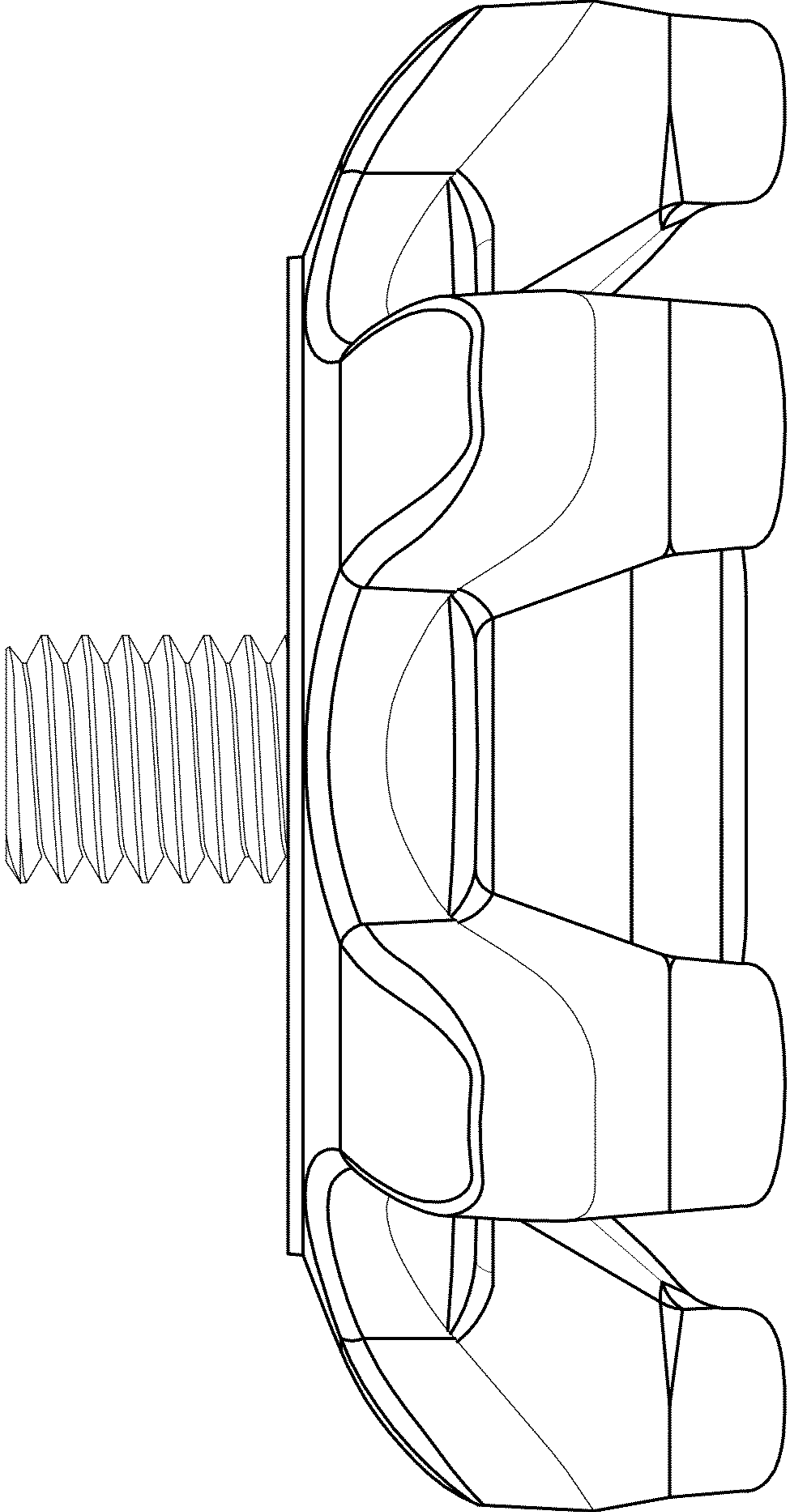


FIG.6

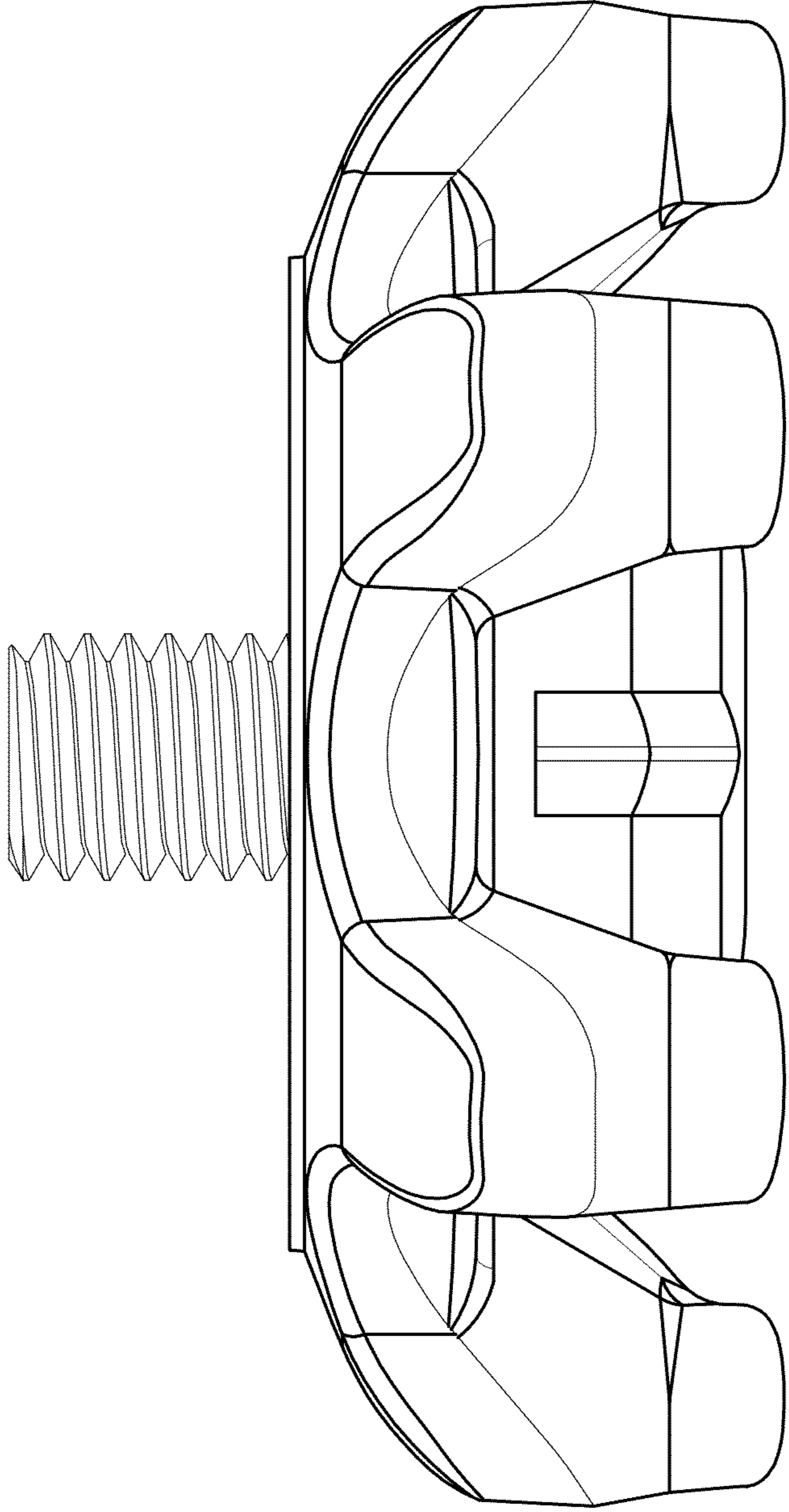


FIG.7