



US00D721875S

(12) **United States Design Patent**
Sarazin

(10) **Patent No.:** **US D721,875 S**

(45) **Date of Patent:** **** Feb. 3, 2015**

(54) **BASEBALL STYLE CAP**

(71) Applicant: **Timothy Philip Sarazin**, Chandler, AZ
(US)

(72) Inventor: **Timothy Philip Sarazin**, Chandler, AZ
(US)

(**) Term: **14 Years**

(21) Appl. No.: **29/441,744**

(22) Filed: **Jan. 9, 2013**

Related U.S. Application Data

(63) Continuation-in-part of application No. 12/912,120,
filed on Oct. 26, 2010, now abandoned.

(51) **LOC (10) Cl.** **02-03**

(52) **U.S. Cl.**
USPC **D2/893**

(58) **Field of Classification Search**

CPC A42B 1/006; A42B 1/02
USPC D2/865, 866, 878, 879, 880, 881, 882,
D2/883, 884, 886, 888, 891, 893, 894,
D2/895; 2/171, 183, 175.1, 175.3, 175.7,
2/195.1, 195.2, 195.3, 195.4, 195.7,
2/200.1, 209.11, 209.12, 209.13, 209.3,
2/209.4, 209.7

See application file for complete search history.

(56) **References Cited**

U.S. PATENT DOCUMENTS

2,827,636 A * 3/1958 Hoeflich 2/195.1
D455,538 S * 4/2002 Rhoden D2/882

D478,709 S * 8/2003 Lee D2/882
D520,214 S * 5/2006 Johnson et al. D2/869
D556,429 S * 12/2007 Saveliev D2/893
D557,881 S * 12/2007 Saveliev D2/893
D584,031 S * 1/2009 Grandfield D2/882
D649,213 S * 11/2011 Rim D21/791
D662,693 S * 7/2012 Becker D2/882
D672,535 S * 12/2012 Phan D2/882
2012/0096625 A1 * 4/2012 Sarazin 2/195.1
2013/0111649 A1 * 5/2013 Sirianni 2/195.1
2013/0298309 A1 * 11/2013 Cunningham 2/195.1

* cited by examiner

Primary Examiner — Karen E Eldridge Powers

(74) *Attorney, Agent, or Firm* — Southeast IP Group, LLC.;
Thomas L. Moses

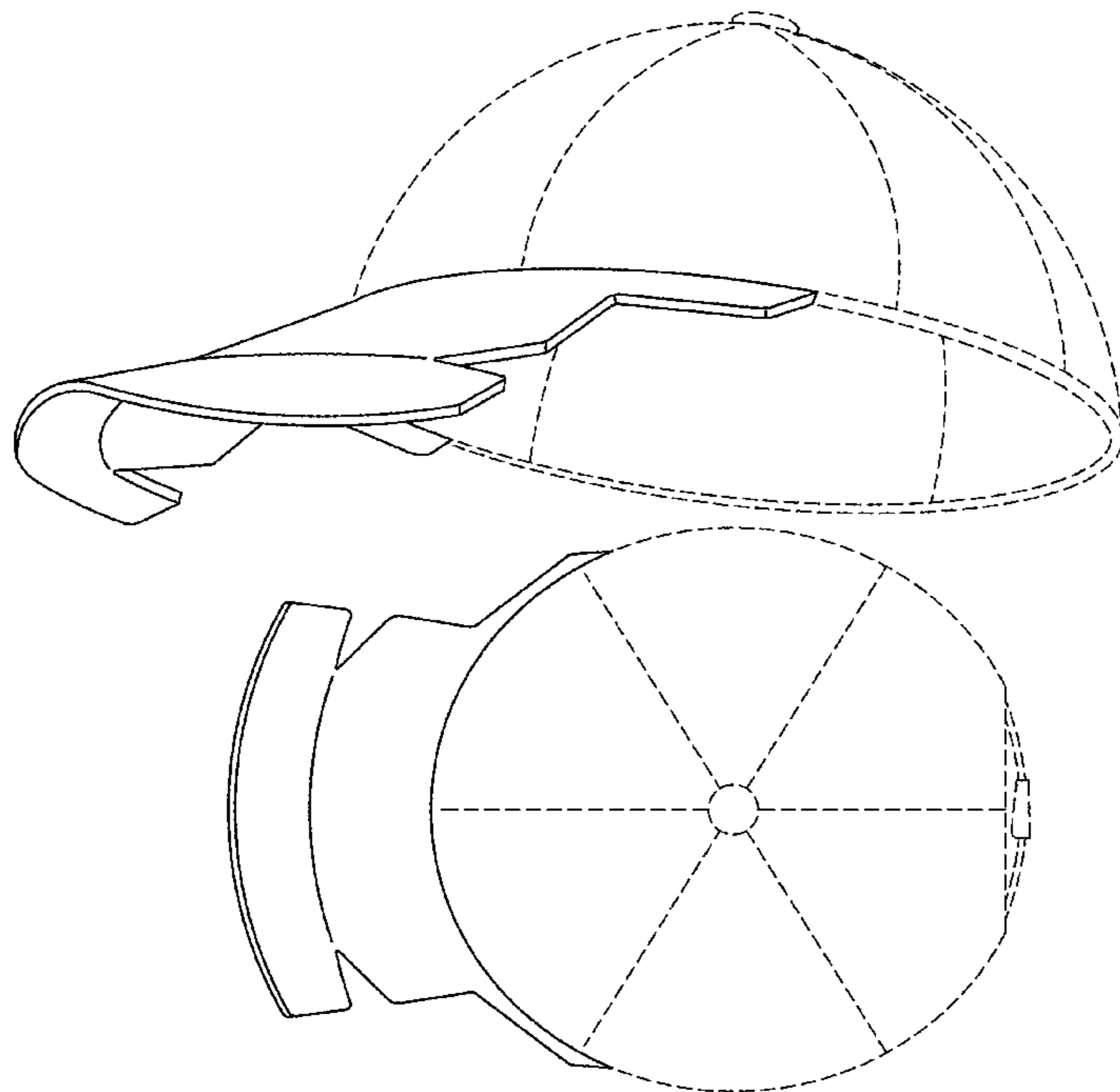
(57) **CLAIM**

I claim the ornamental design for a baseball style cap, as
shown and described.

DESCRIPTION

FIG. 1 is a left side perspective view of my design for a
baseball style cap.
FIG. 2 is a top view thereof.
FIG. 3 is a bottom view thereof.
FIG. 4 is a right side view thereof.
FIG. 5 is a left side view thereof.
FIG. 6 is a front view thereof; and,
FIG. 7 is a rear view thereof.

1 Claim, 4 Drawing Sheets



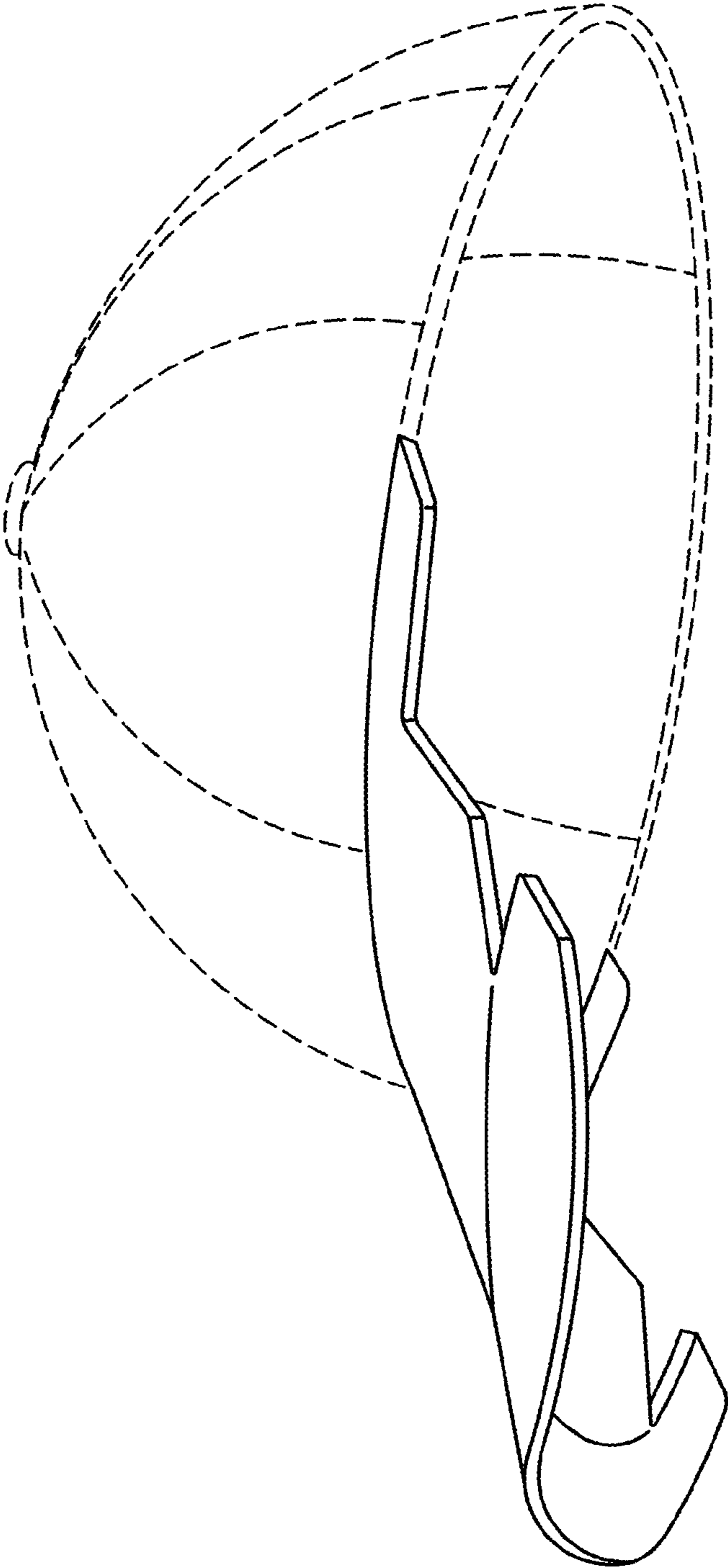


FIG. 1

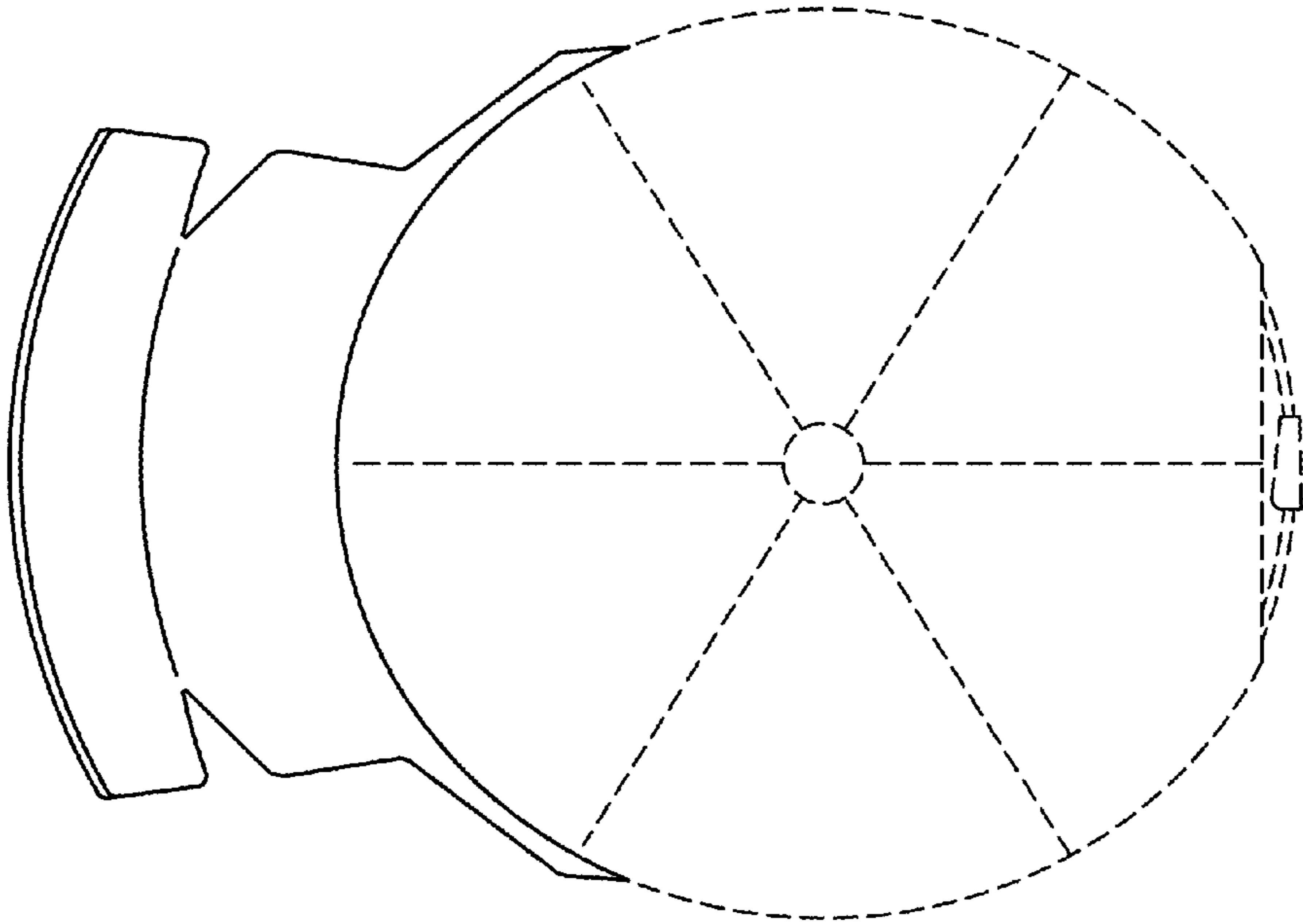


FIG. 2

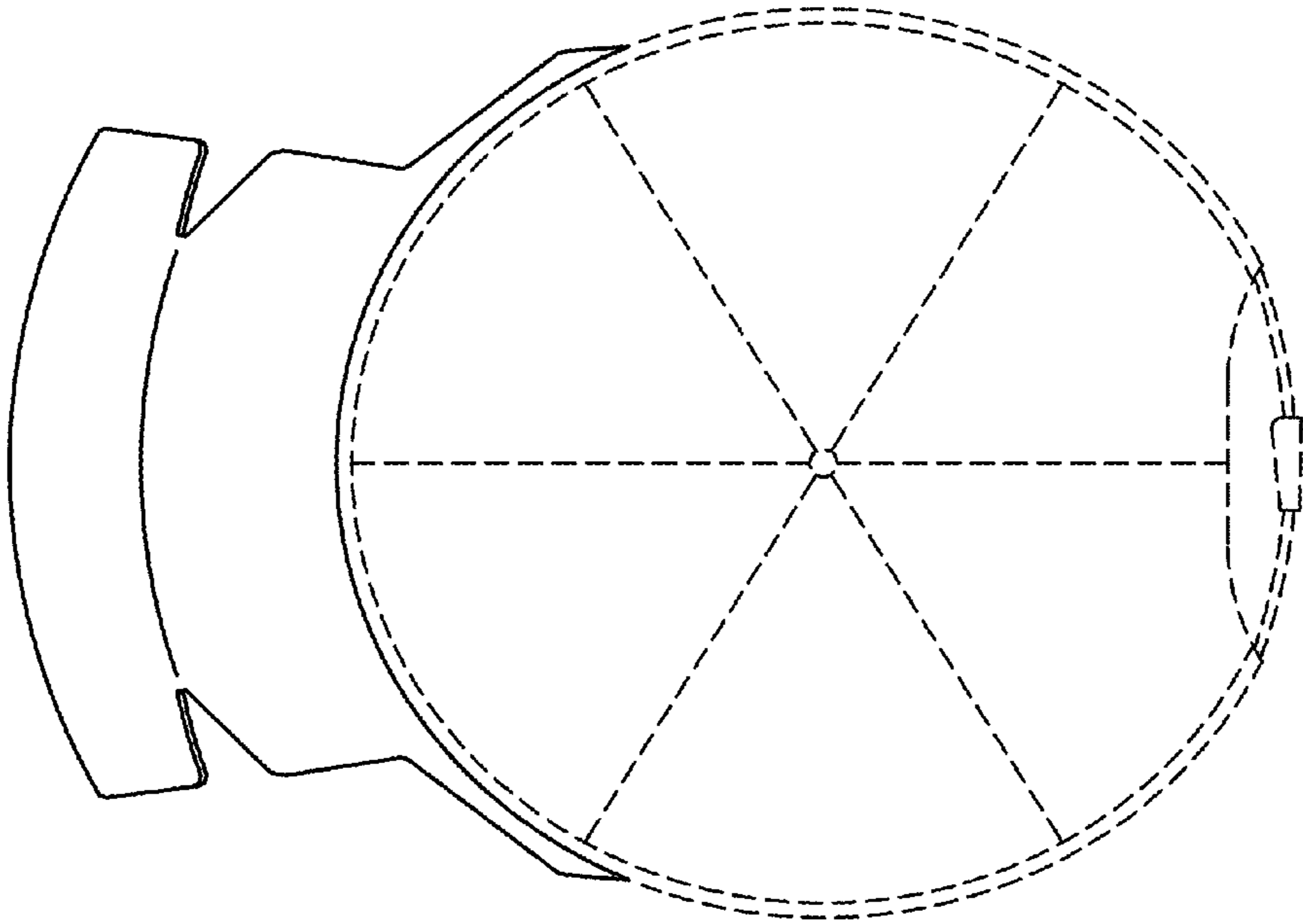


FIG. 3

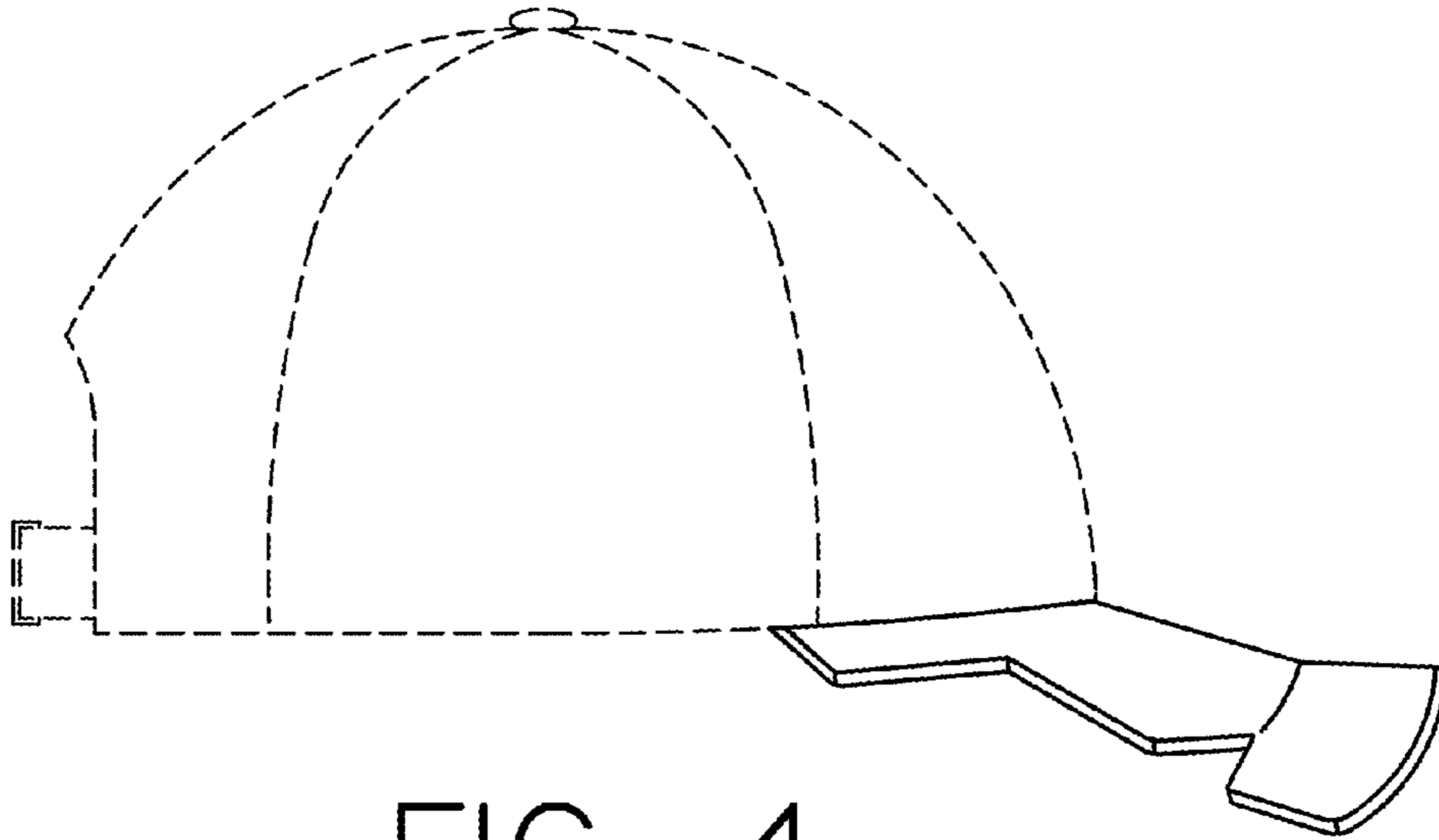


FIG. 4

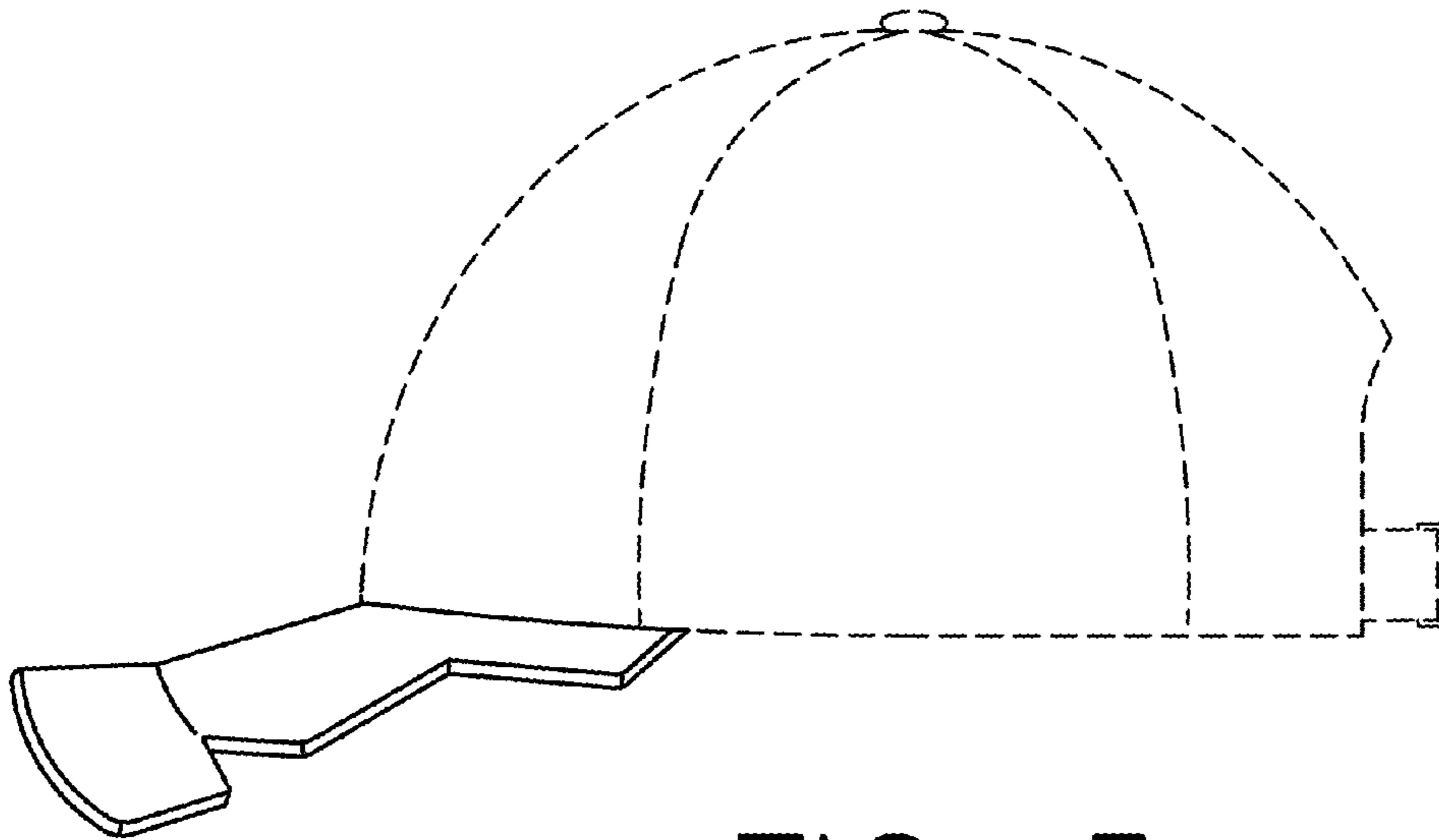


FIG. 5

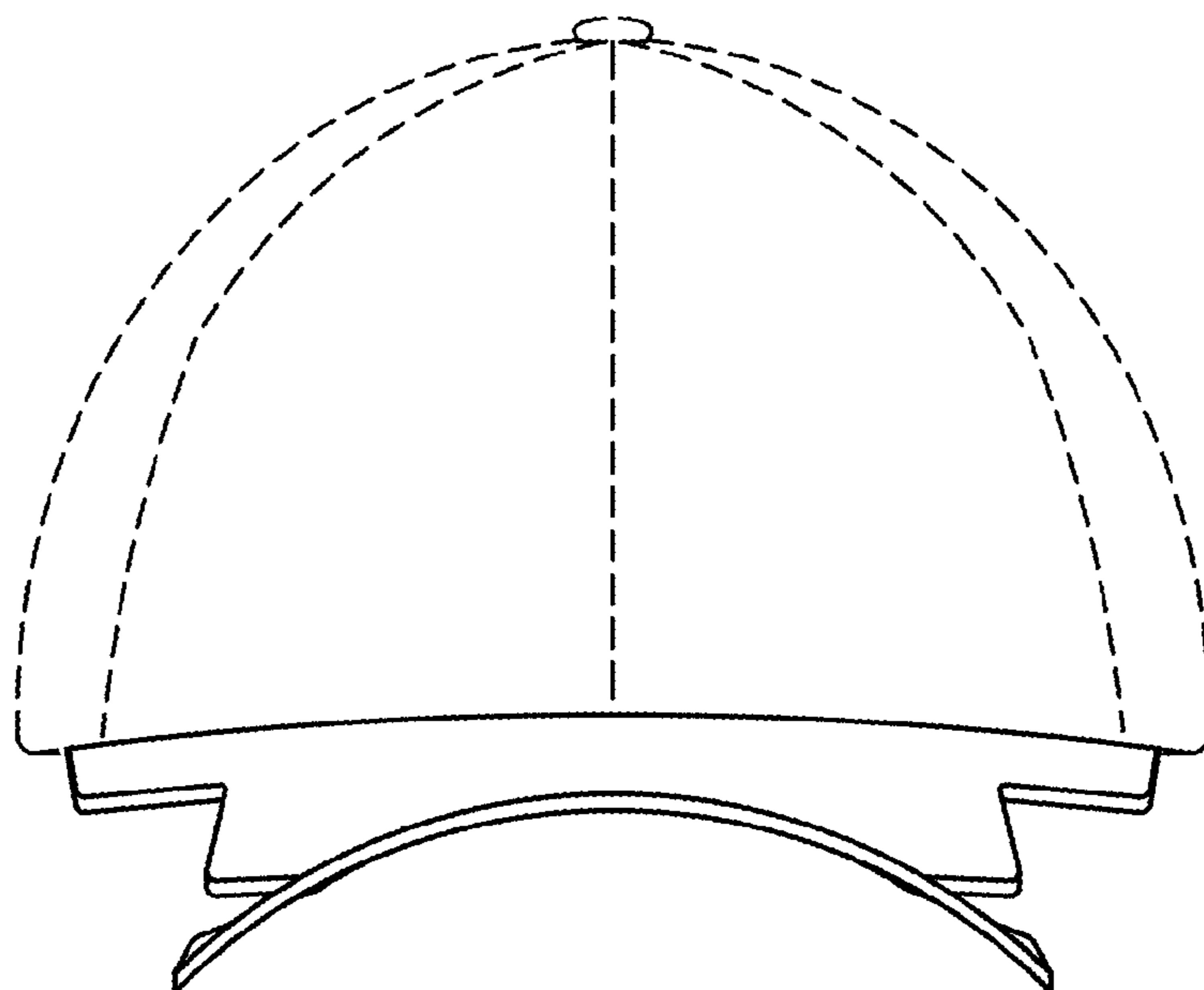


FIG. 6

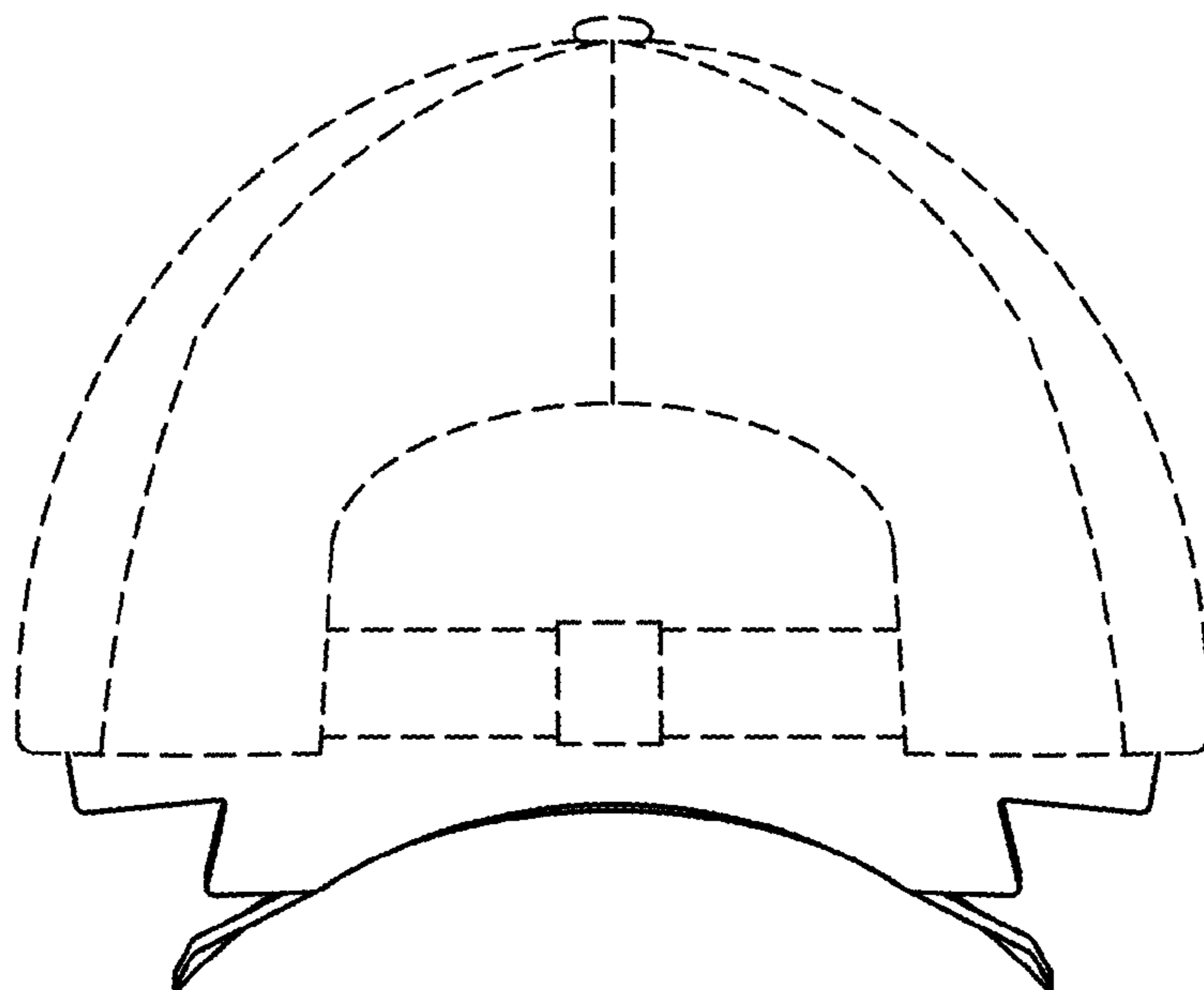


FIG. 7