



US00D721874S

(12) **United States Design Patent**
Robbins et al.

(10) **Patent No.:** **US D721,874 S**
(45) **Date of Patent:** **** Feb. 3, 2015**

(54) **BOONIE HAT**
(75) Inventors: **Travis L. Robbins**, Columbia, SC (US);
Christian Fallaw, Elgin, SC (US)
(73) Assignee: **GCME Apparel, LLC**, Elgin, SC (US)
(**) Term: **14 Years**

8,402,564	B2 *	3/2013	Duwyn-Zylstra	2/175.1
D681,926	S *	5/2013	Votel et al.	D2/886
D688,034	S *	8/2013	Hafif	D2/893
D699,928	S *	2/2014	Tien	D2/882
2008/0295222	A1 *	12/2008	Cunliffe	2/175.2
2009/0313740	A1 *	12/2009	Santos et al.	2/69
2012/0030860	A1 *	2/2012	Lovitz	2/209.13
2014/0047617	A1 *	2/2014	Abers	2/209.13

(21) Appl. No.: **29/416,142**
(22) Filed: **Mar. 19, 2012**
(51) **LOC (10) Cl.** **02-03**
(52) **U.S. Cl.**
USPC **D2/886**
(58) **Field of Classification Search**
USPC D2/865, 866, 869, 870, 873, 878, 883,
D2/886, 887, 890, 892, 893; 2/171, 175.1,
2/175.2, 175.3, 175.4, 175.5, 209.13
See application file for complete search history.

OTHER PUBLICATIONS

Boonie Hats: BDU Boonie Hat, Olive Drab Green [on-line]; available on the Internet as early as Oct. 17, 2009; retrieved from the Internet on May 15, 2014. URL: ><http://web.archive.org/web/20091017081551/http://www.armygear.net/ag/store/01423.html><. (1 page).*

(Continued)

Primary Examiner — Karen E Eldridge Powers
(74) *Attorney, Agent, or Firm* — McNair Law Firm, P.A.;
Douglas W. Kim

(56) **References Cited**

U.S. PATENT DOCUMENTS

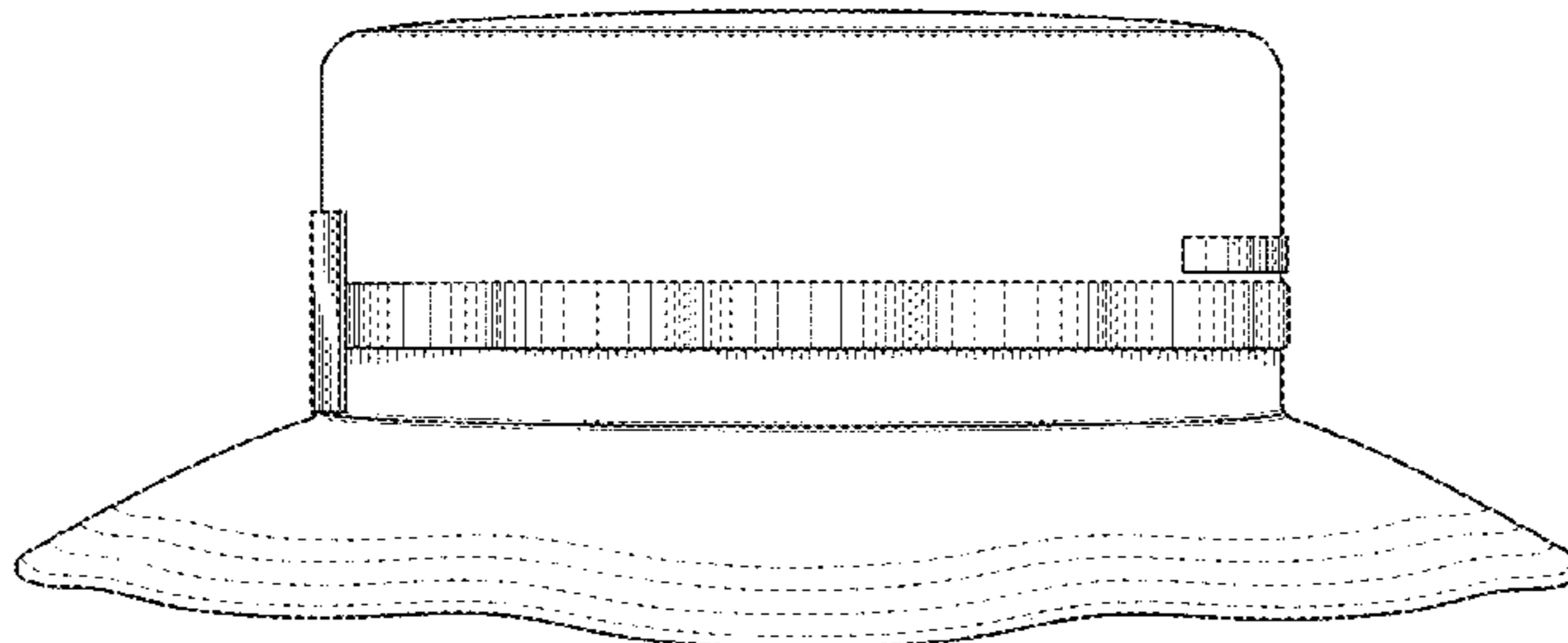
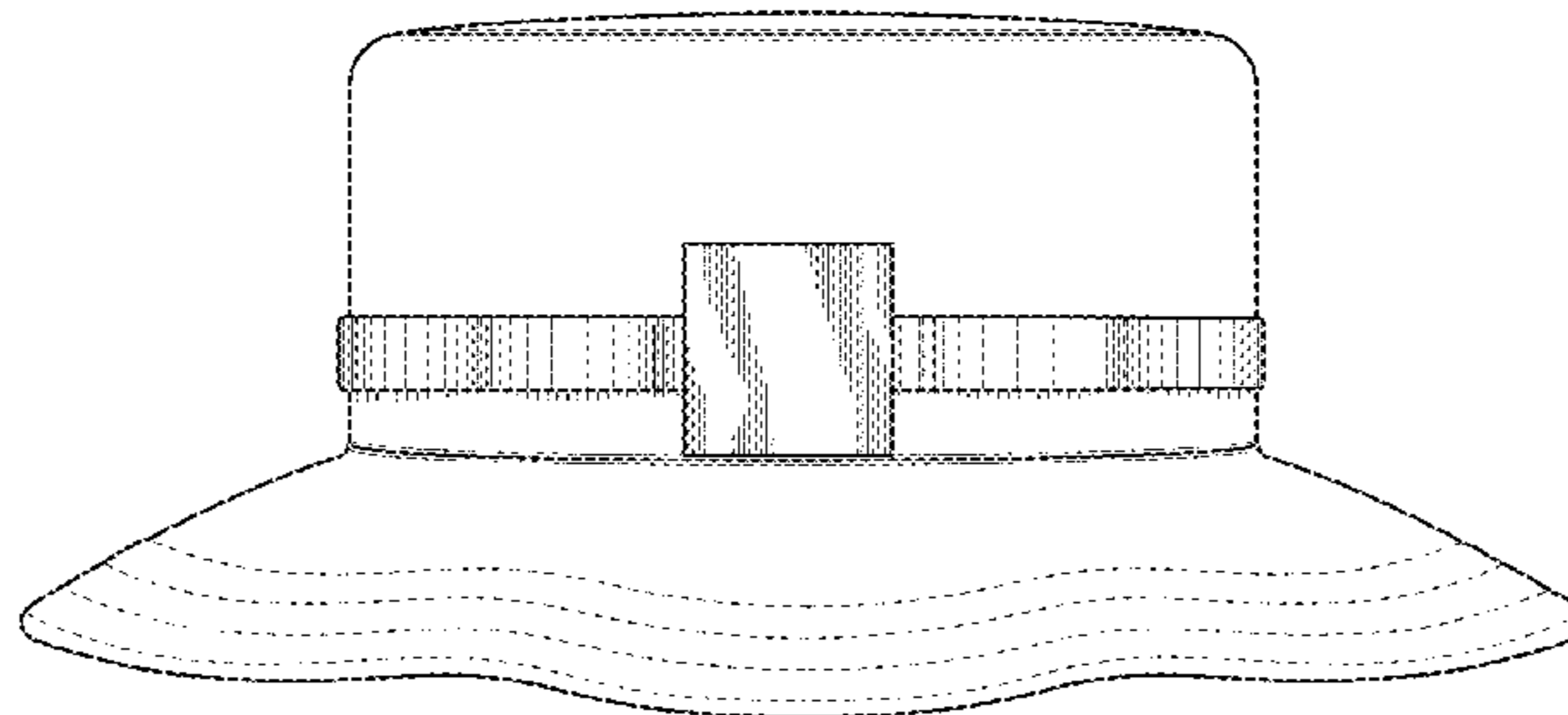
D44,042	S *	5/1913	Tilton	D2/886
D255,840	S *	7/1980	Day	D2/887
4,667,274	A *	5/1987	Daniel	362/106
4,776,043	A *	10/1988	Coleman	2/209.12
5,159,720	A *	11/1992	Scott, Jr.	2/171
D478,409	S *	8/2003	Lesley	D2/873
D487,953	S *	4/2004	Trudeau	D2/886
D532,185	S *	11/2006	St-Germain	D2/866
D538,010	S *	3/2007	Pegula	D2/878
7,240,372	B2 *	7/2007	Larson	2/173
D593,732	S *	6/2009	Tilley et al.	D2/886
D617,083	S *	6/2010	Yun	D2/886
D622,485	S *	8/2010	Bouvier	D2/886

(57) **CLAIM**
The ornamental design for a boonie hat, as shown and described.

DESCRIPTION

FIG. 1 is a side perspective view of the boonie hat design; FIG. 2 is a front elevation view of the boonie hat design; FIG. 3 is a rear elevation view of the boonie hat design; FIG. 4 is a left side elevation view of the boonie hat design; FIG. 5 is a top plan view of the boonie hat design; and, FIG. 6 is a bottom plan view of the boonie hat design. The broken lines shown on the brim of the boonie hat are stitch lines and form a part of the claimed design.

1 Claim, 3 Drawing Sheets



(56)

References Cited

OTHER PUBLICATIONS

US MultiCam Boonie Hat, Mil-Spec [on-line]; available on the Internet as early as May 23, 2012; retrieved from the Internet on May 15, 2014. URL: ><http://web.archive.org/web/20120523132512/http://www.skdtac.com/US-MultiCam-Boonie-Hat-p/skd.202.htm><. (1 page).*

Customizable boonie hats [on-line]; available on the Internet as early as May 4, 2013; retrieved from the Internet on May 15, 2014. URL: ><https://web.archive.org/web/20130504033001/http://www.customboonie.com/><. (1 page).*

* cited by examiner

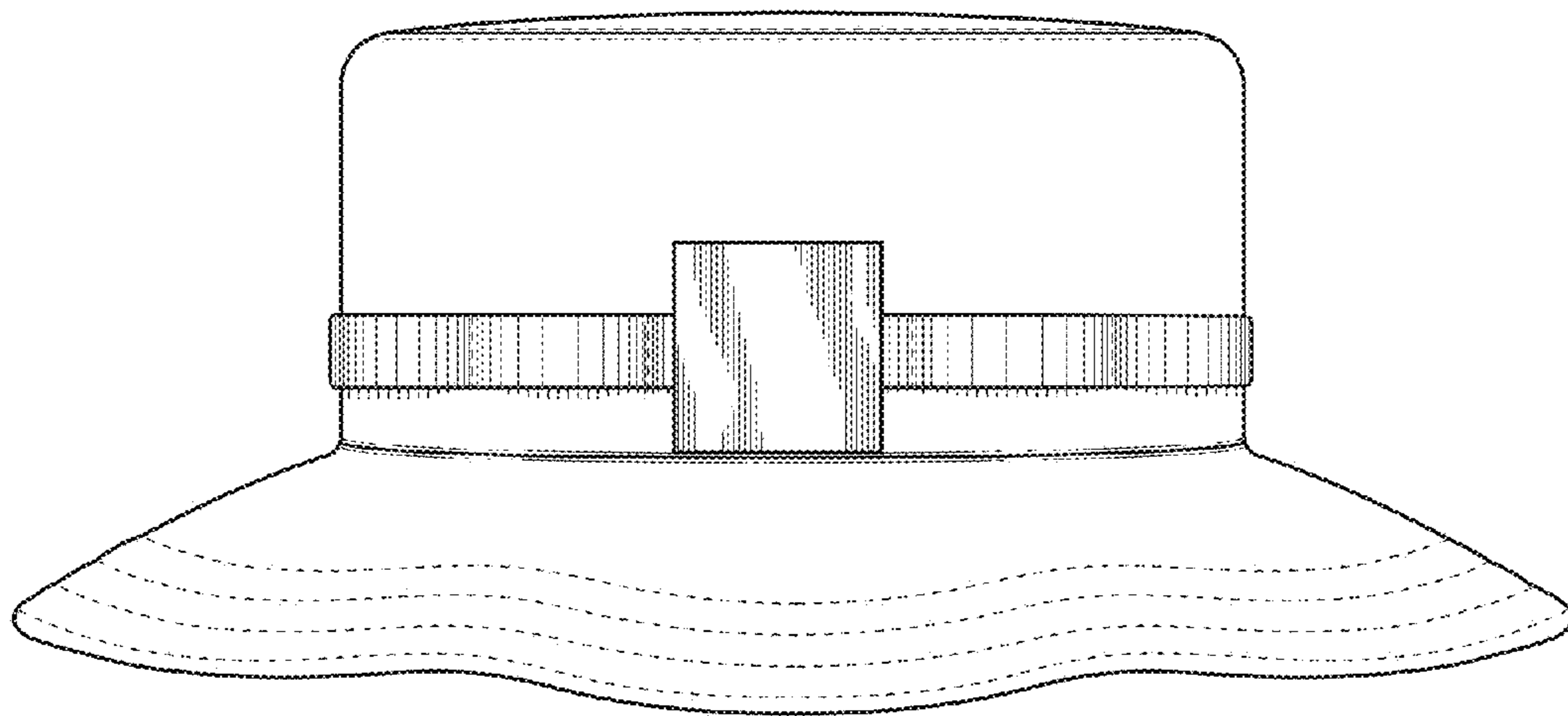
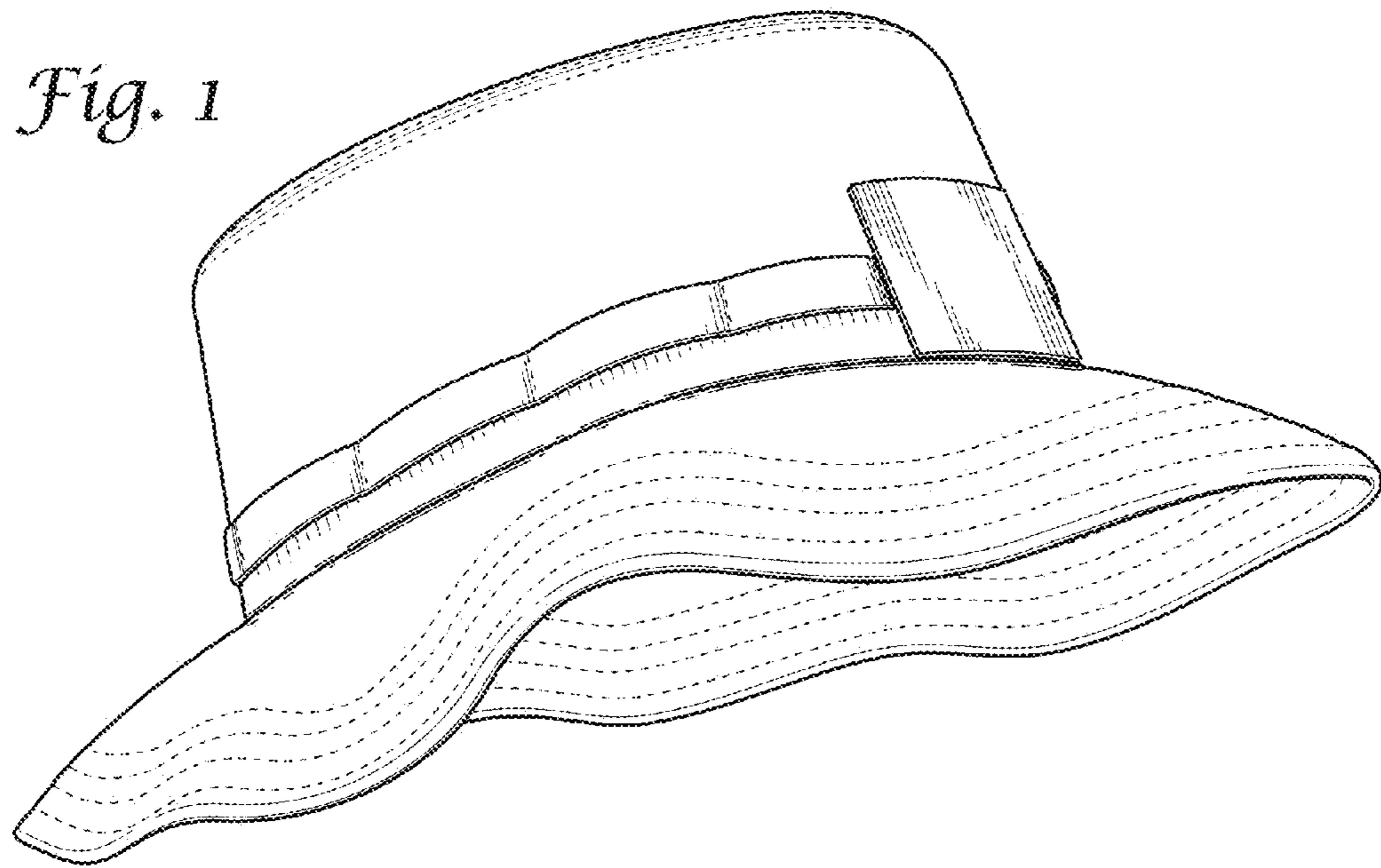


Fig. 2

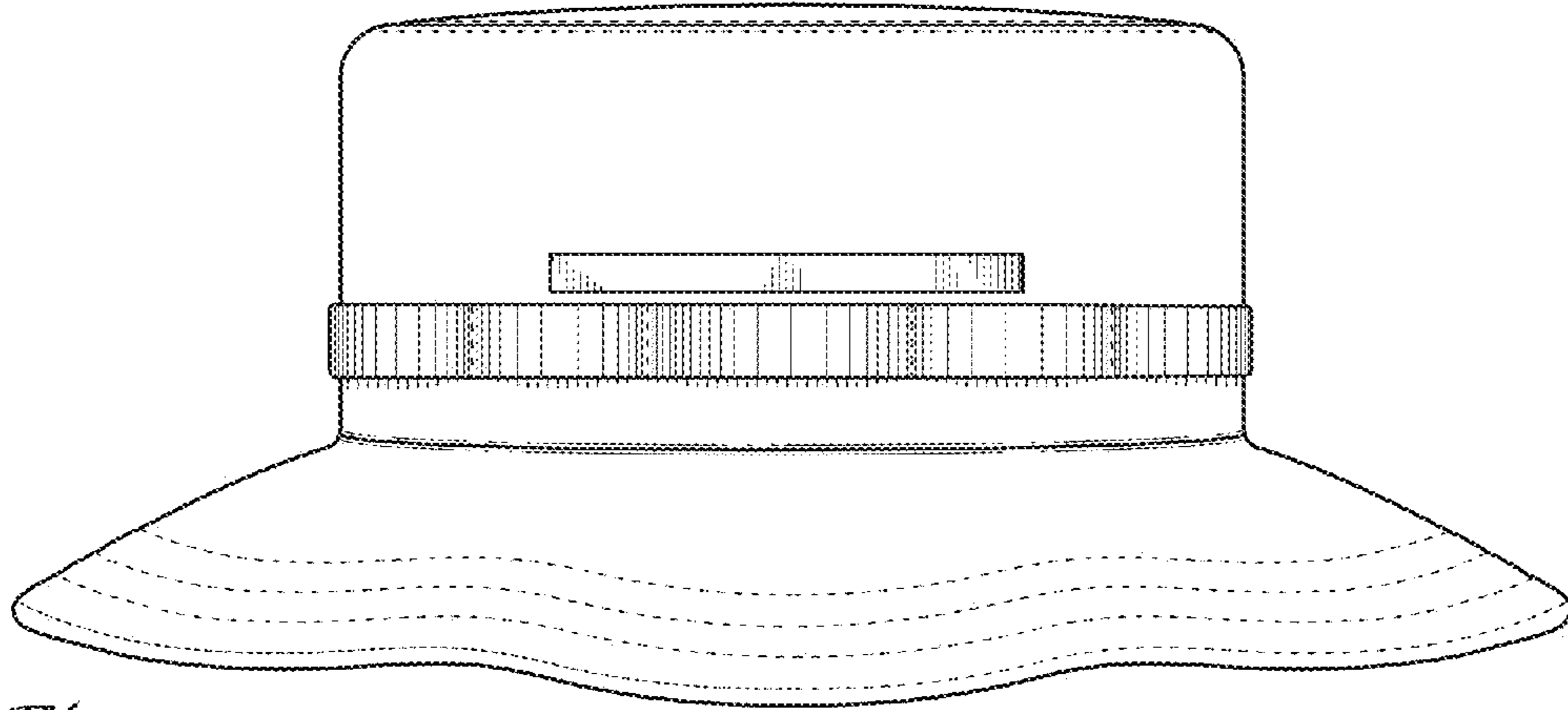


Fig. 3

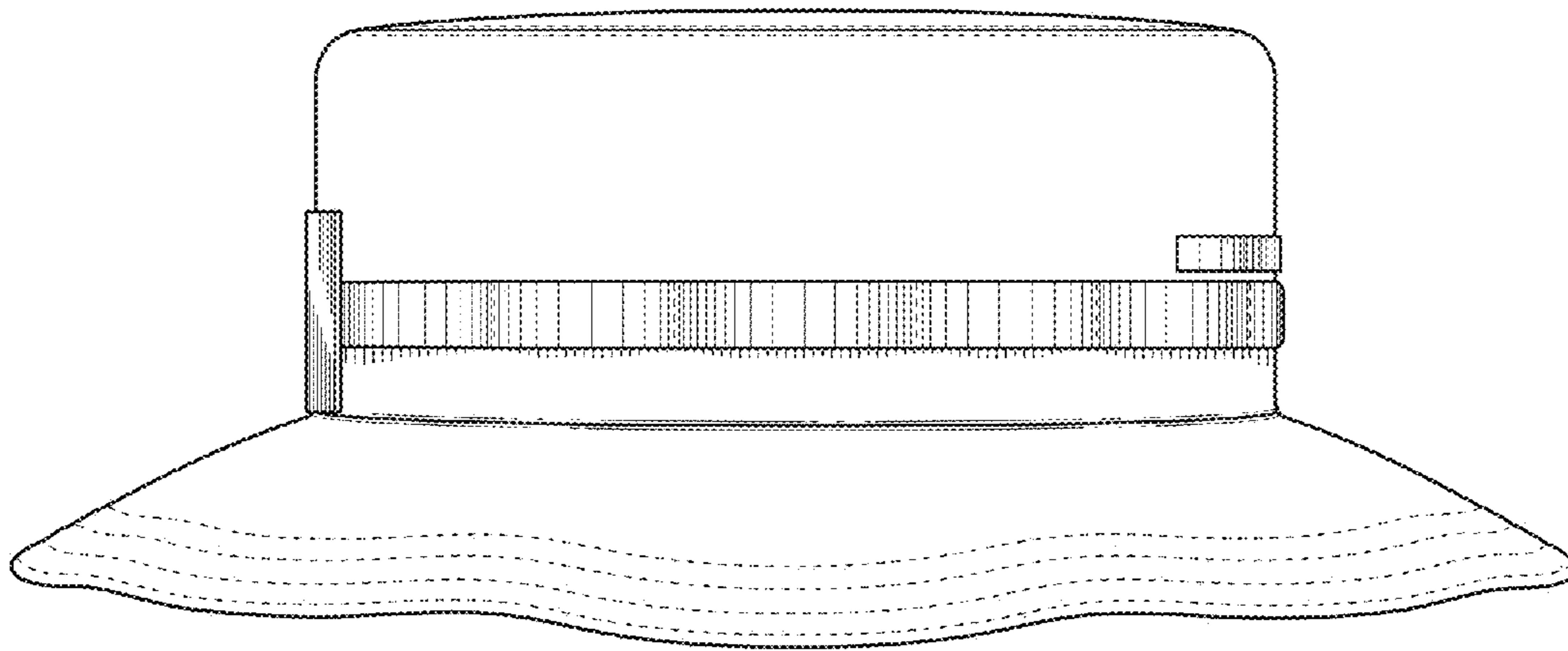


Fig. 4

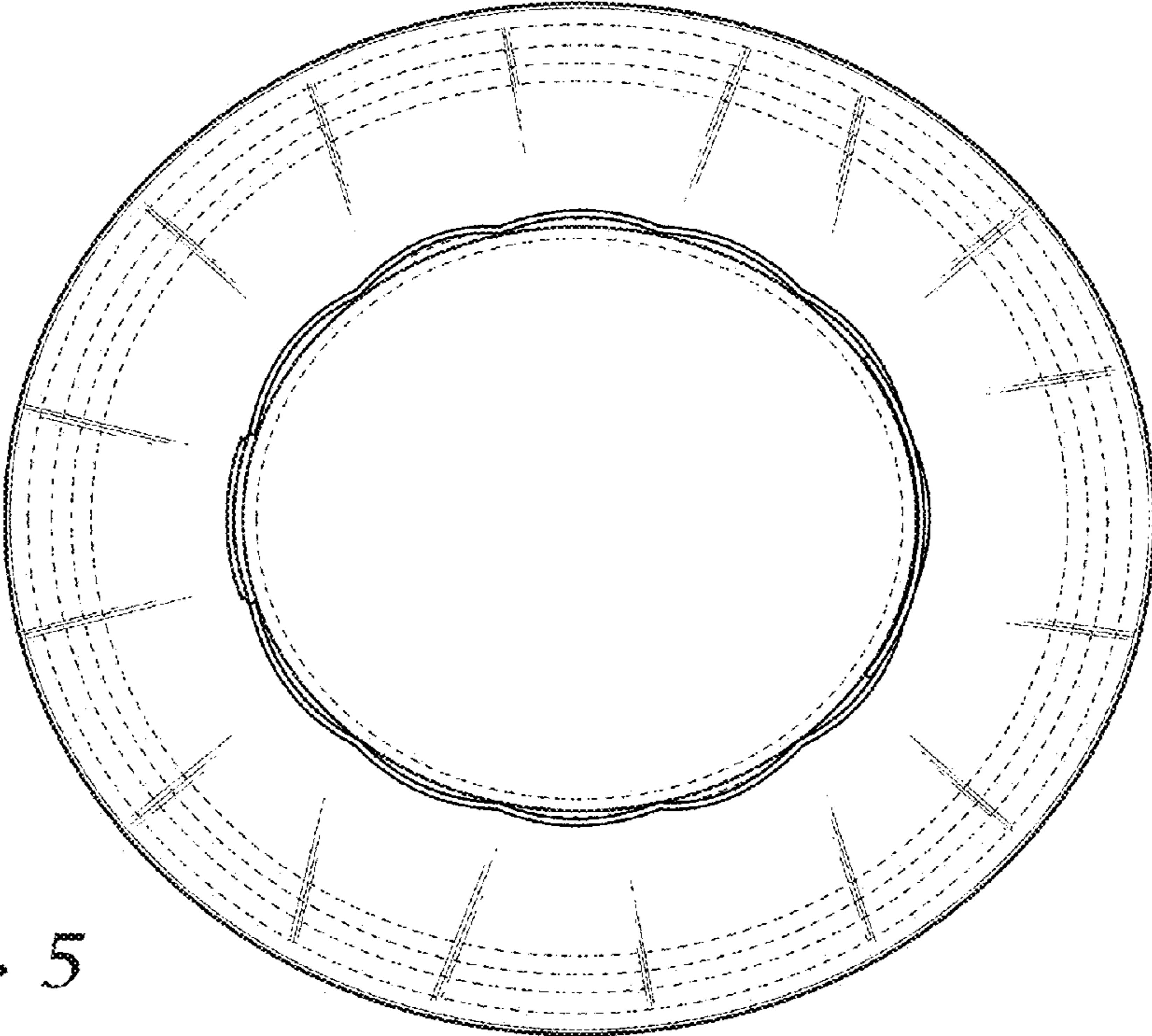


Fig. 5

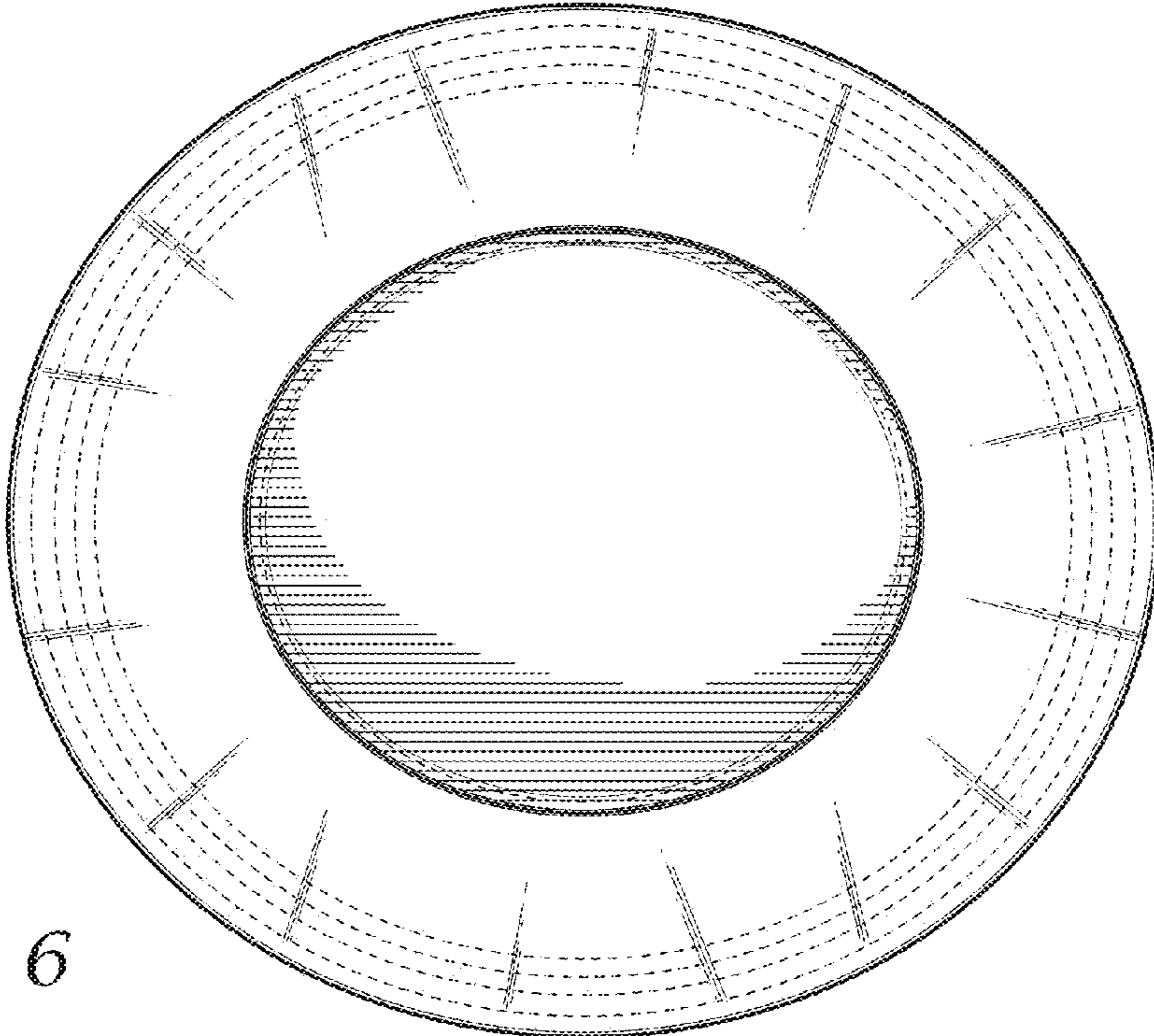


Fig. 6