



US00D721872S

(12) **United States Design Patent**
Cooper

(10) **Patent No.:** **US D721,872 S**

(45) **Date of Patent:** **** Feb. 3, 2015**

(54) **TANK TOP UNDERSHIRT WITH POCKETS**

(71) Applicant: **Everton Cooper**, New York City, NY
(US)

(72) Inventor: **Everton Cooper**, New York City, NY
(US)

(73) Assignee: **Everton G. Cooper**, New York, NY
(US)

(**) Term: **14 Years**

(21) Appl. No.: **29/485,248**

(22) Filed: **Mar. 18, 2014**

(51) **LOC (10) Cl.** **02-02**

(52) **U.S. Cl.**
USPC **D2/840**

(58) **Field of Classification Search**
USPC D2/717, 720, 749-751, 756, 840-842,
D2/847-850, 105, 106, 113, 115, 116
See application file for complete search history.

(56) **References Cited**

U.S. PATENT DOCUMENTS

1,828,310 A * 10/1931 Bergh 2/67
2,310,103 A * 2/1943 McDonald 2/113
2,922,164 A * 1/1960 Liff 2/49.2

D260,445 S * 9/1981 Schreiber et al. D2/700
4,296,498 A * 10/1981 Vinson 2/115
6,766,529 B1 * 7/2004 Nathan 2/2.5
D510,794 S * 10/2005 Rice D2/840
D698,127 S * 1/2014 Cheatham D2/847
2011/0219513 A1 * 9/2011 Hendrickson 2/113

* cited by examiner

Primary Examiner — Rashida Johnson

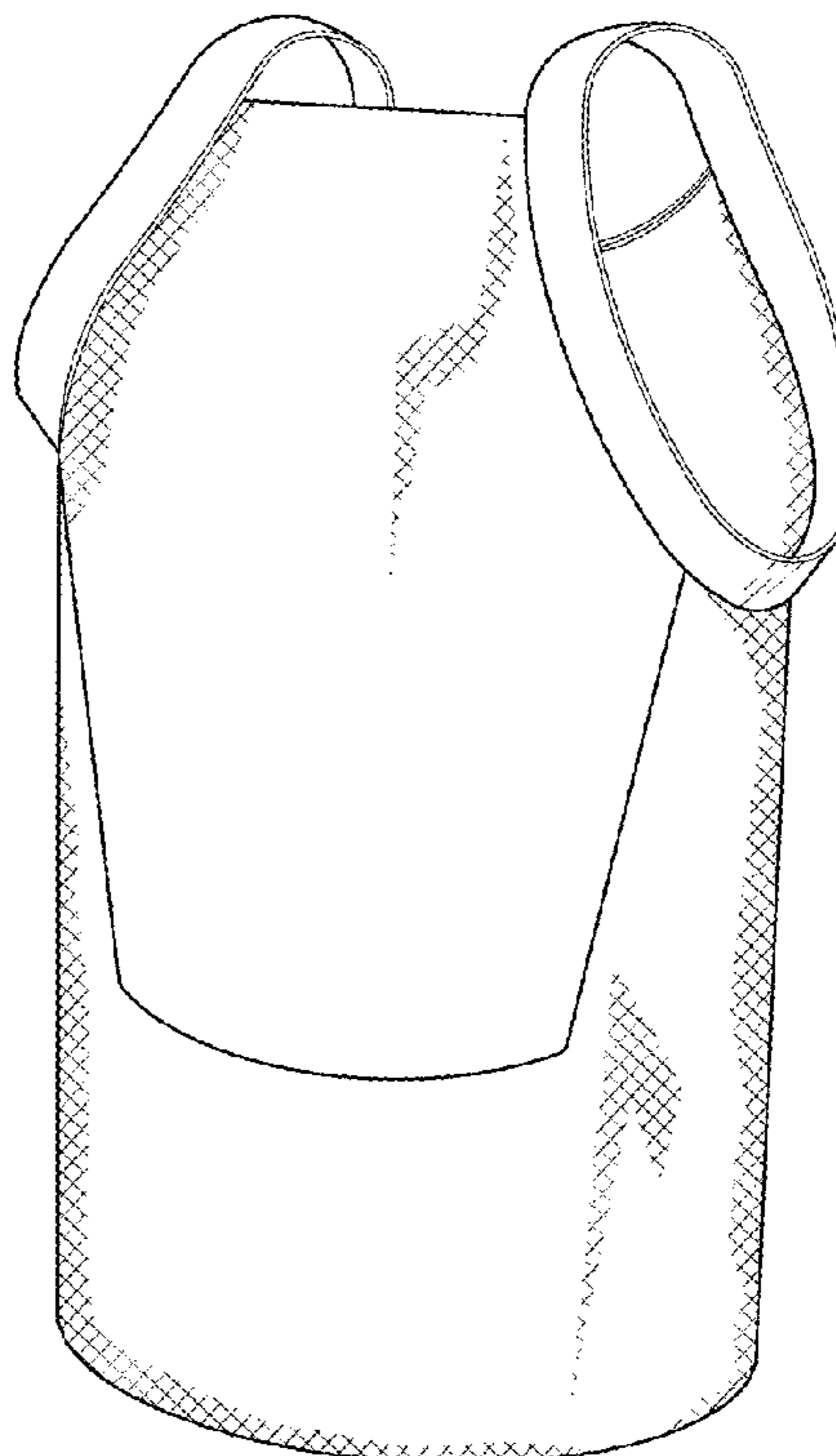
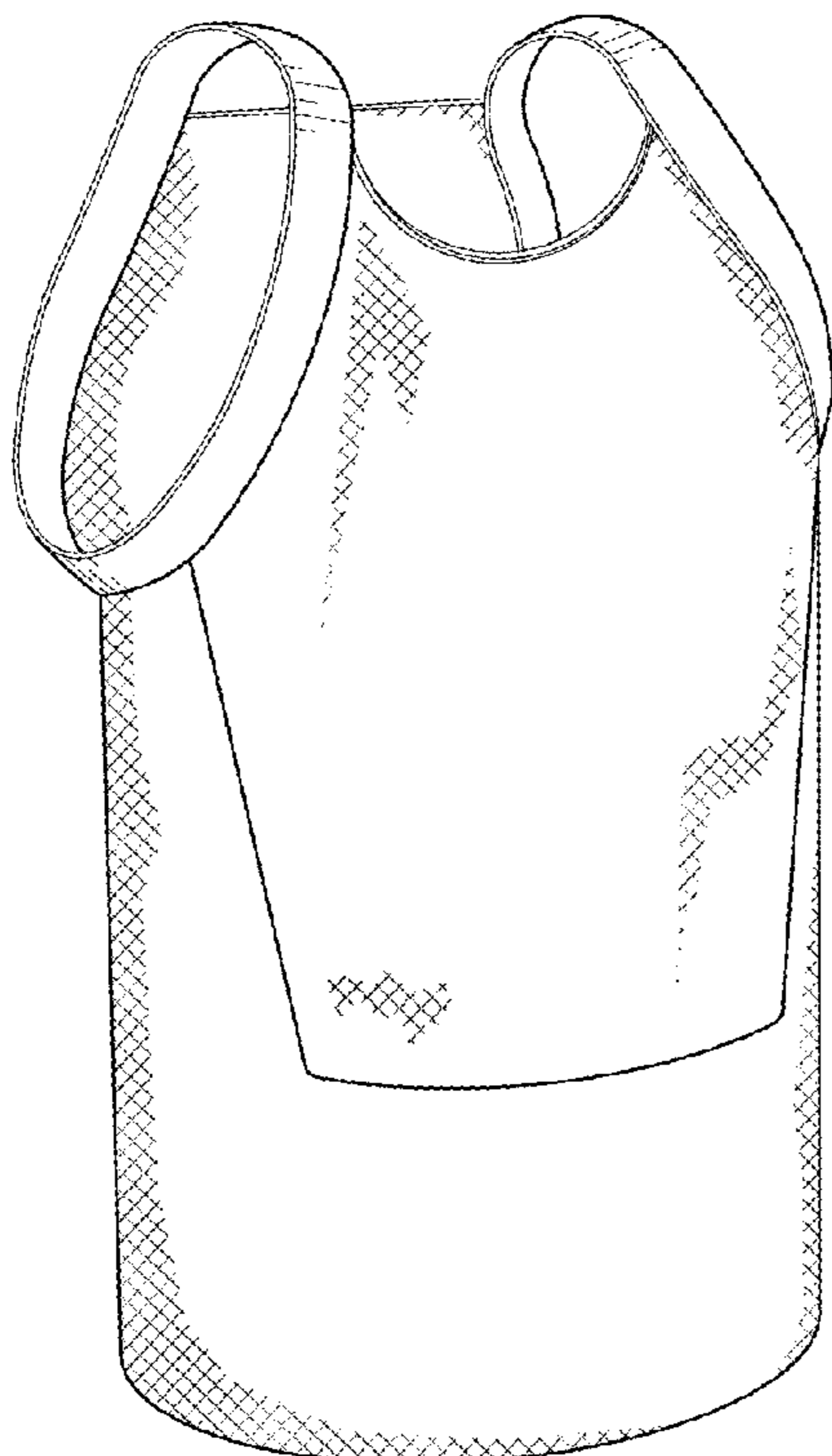
(57) **CLAIM**

The ornamental design for a tank top undershirt with pockets,
as shown and described.

DESCRIPTION

FIG. 1 is a front right perspective view of a tank top undershirt
with pockets showing my new design;
FIG. 2 is a rear right perspective view thereof;
FIG. 3 is a front view thereof;
FIG. 4 is a back view thereof;
FIG. 5 is a top plan view thereof;
FIG. 6 is a bottom plan view thereof;
FIG. 7 is a right side view thereof;
FIG. 8 is a left side view thereof;
FIG. 9 is a front perspective view thereof; the chest and back
pockets shown open; and,
FIG. 10 is a top plan view thereof; the chest and back pockets
shown open.

1 Claim, 6 Drawing Sheets



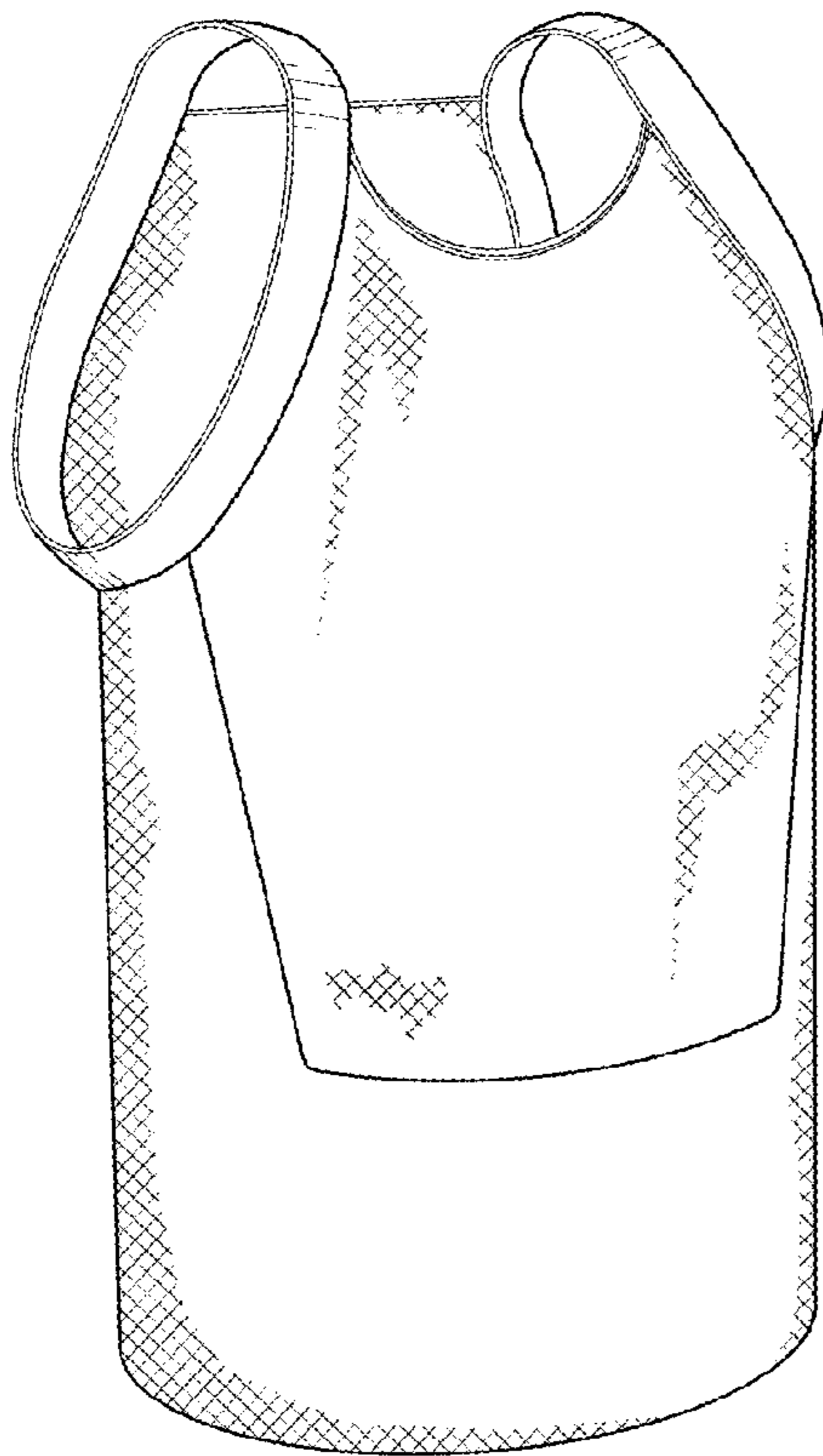


FIG. 1

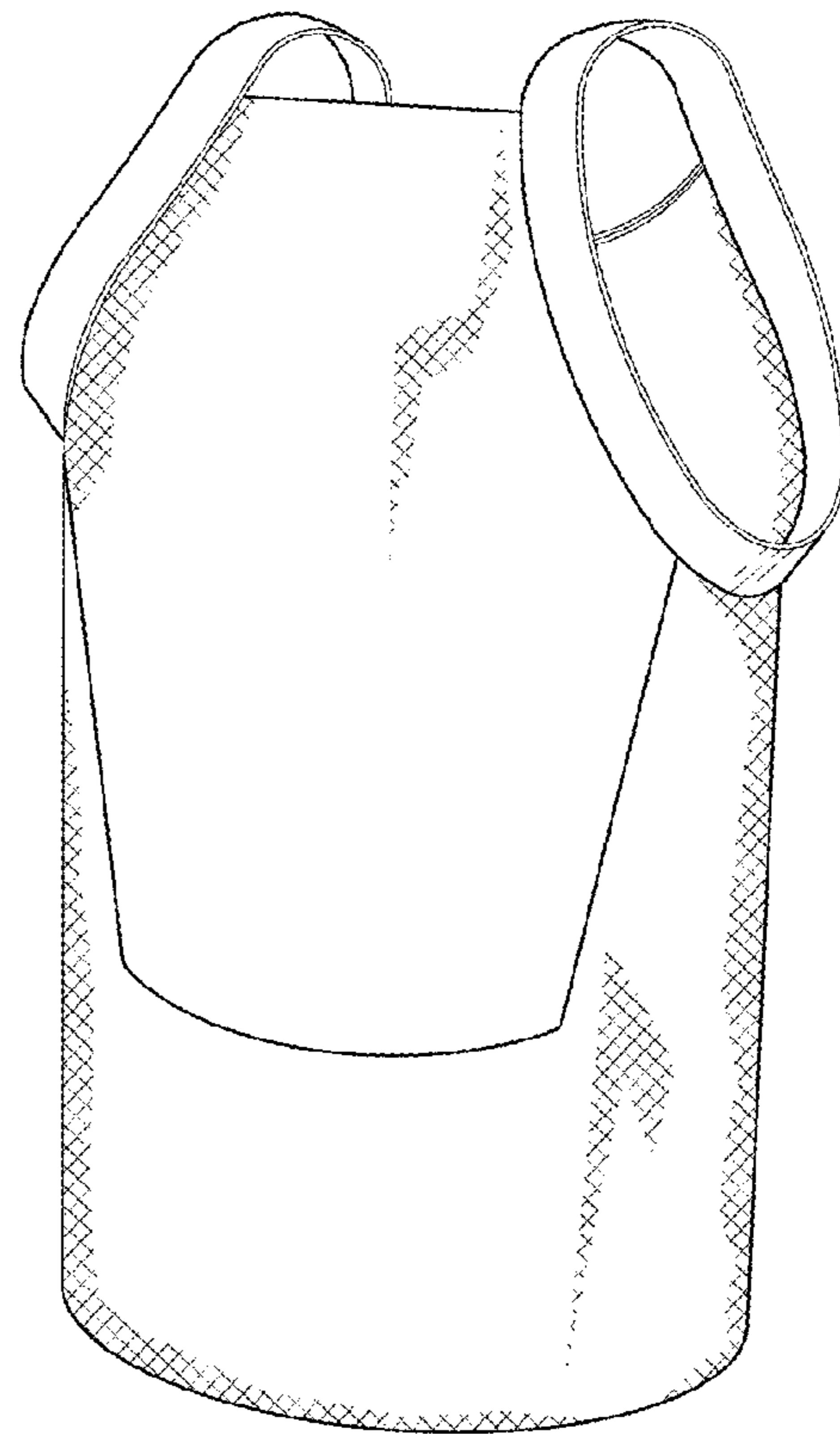


FIG. 2

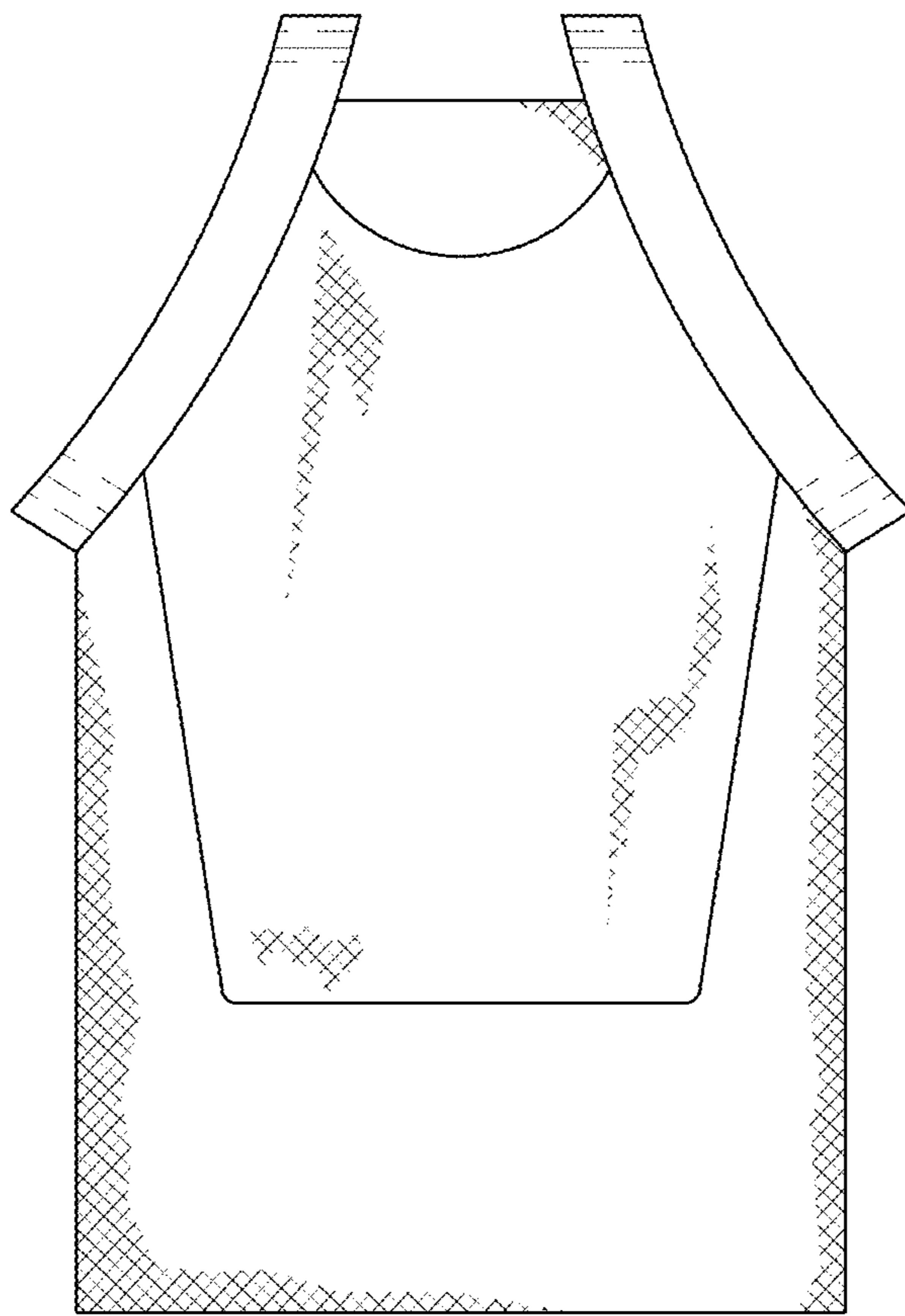


FIG. 3

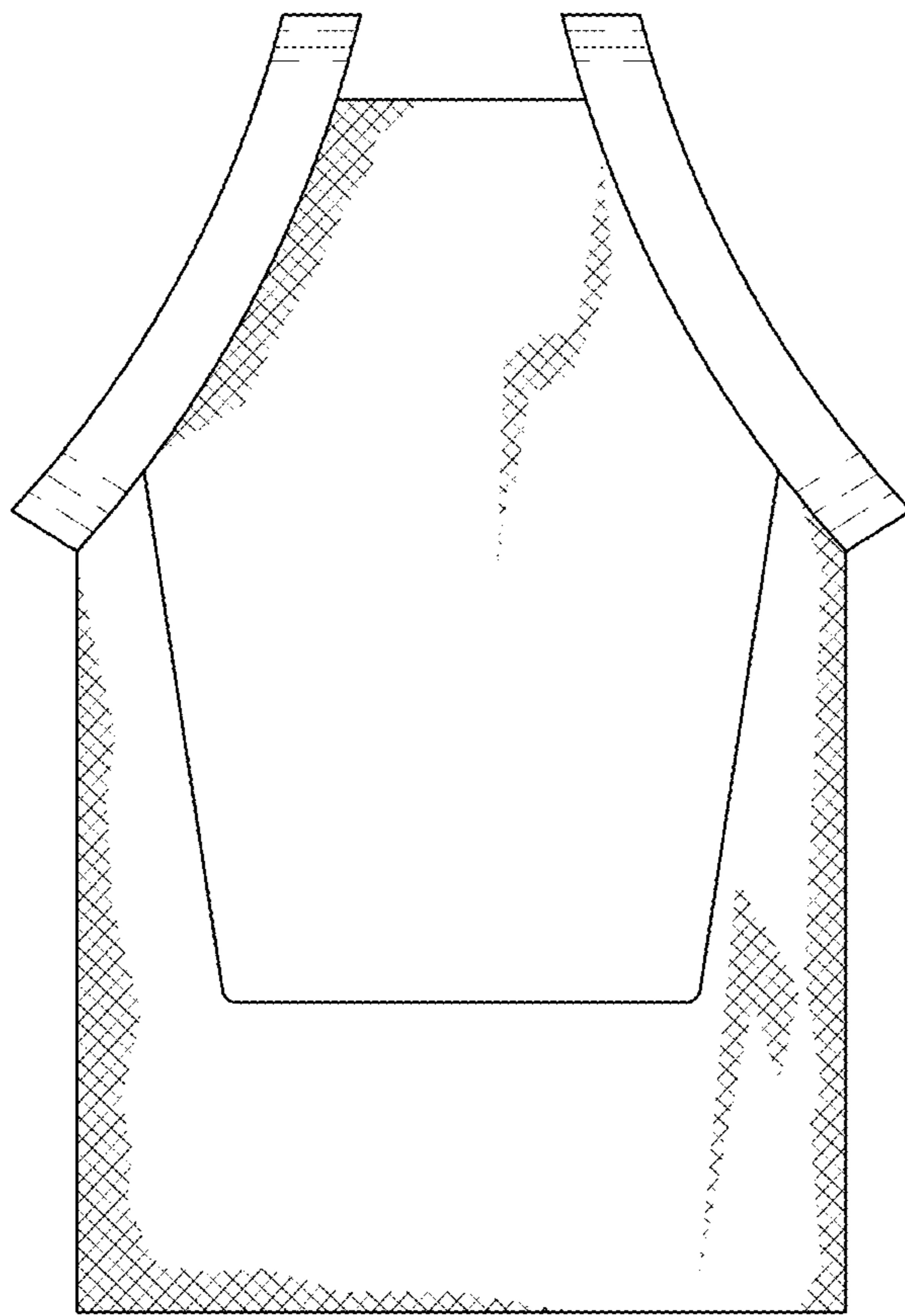


FIG. 4

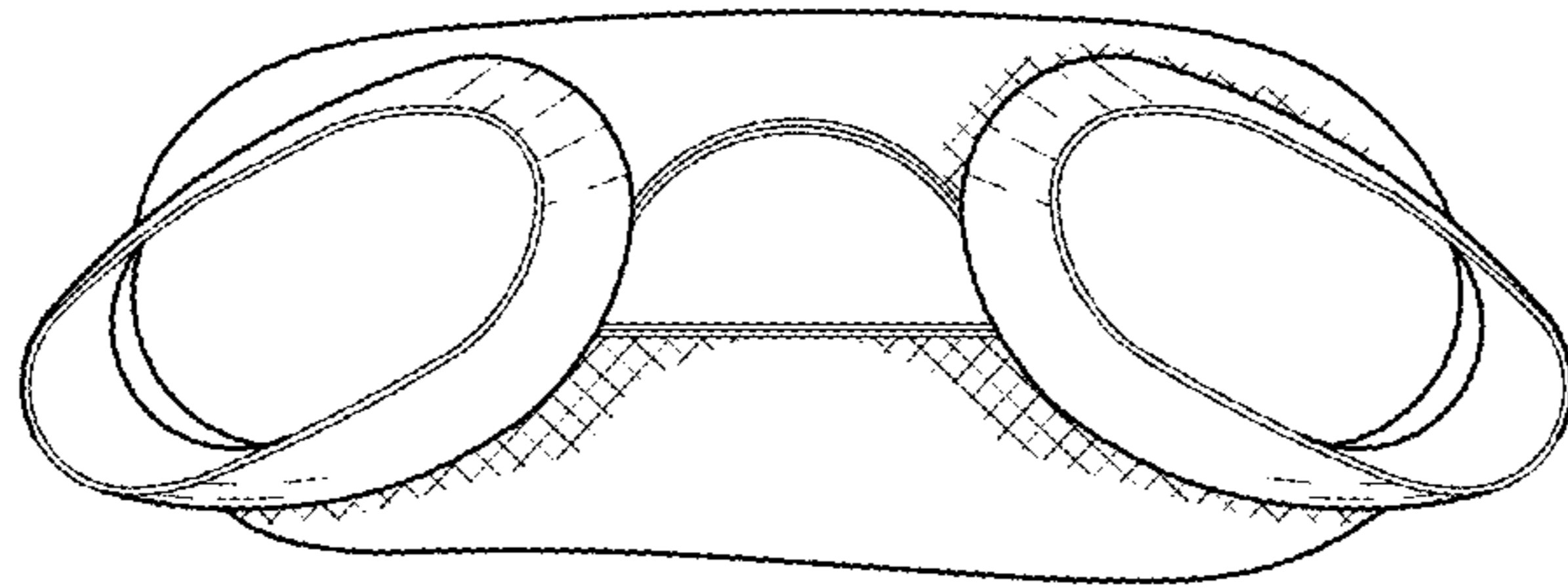


FIG. 5

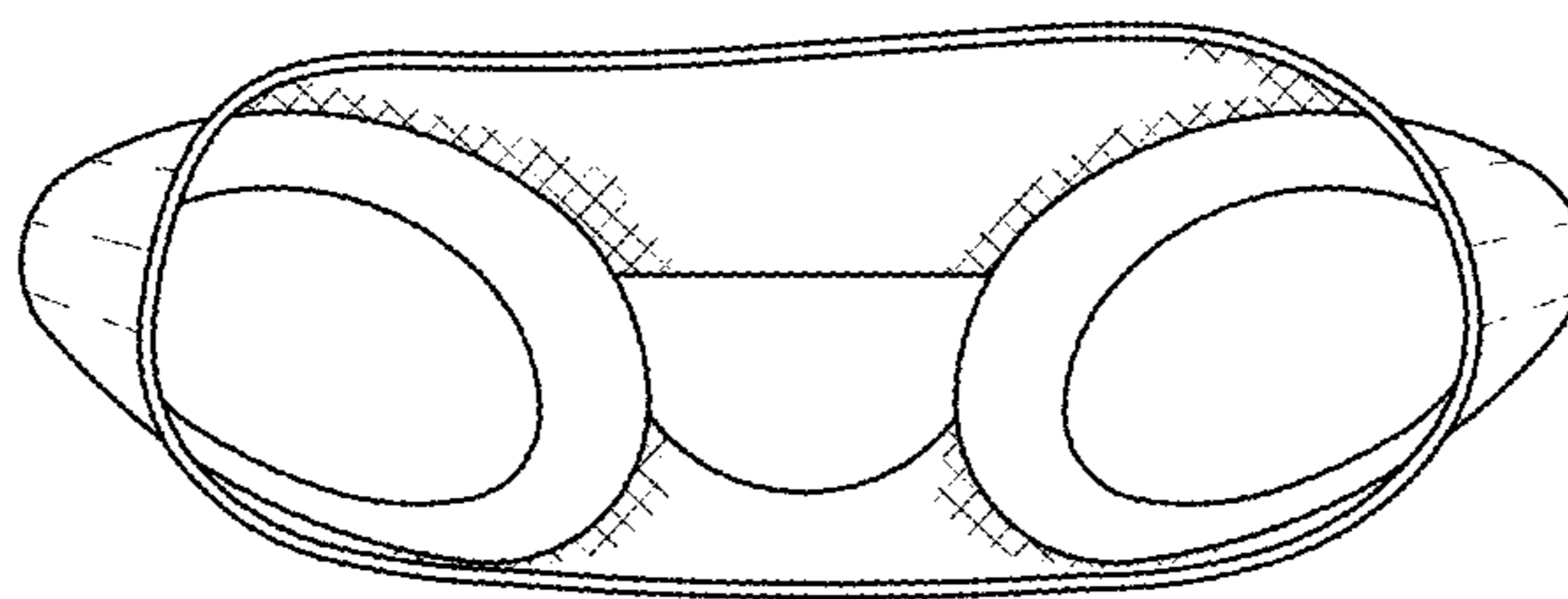


FIG. 6

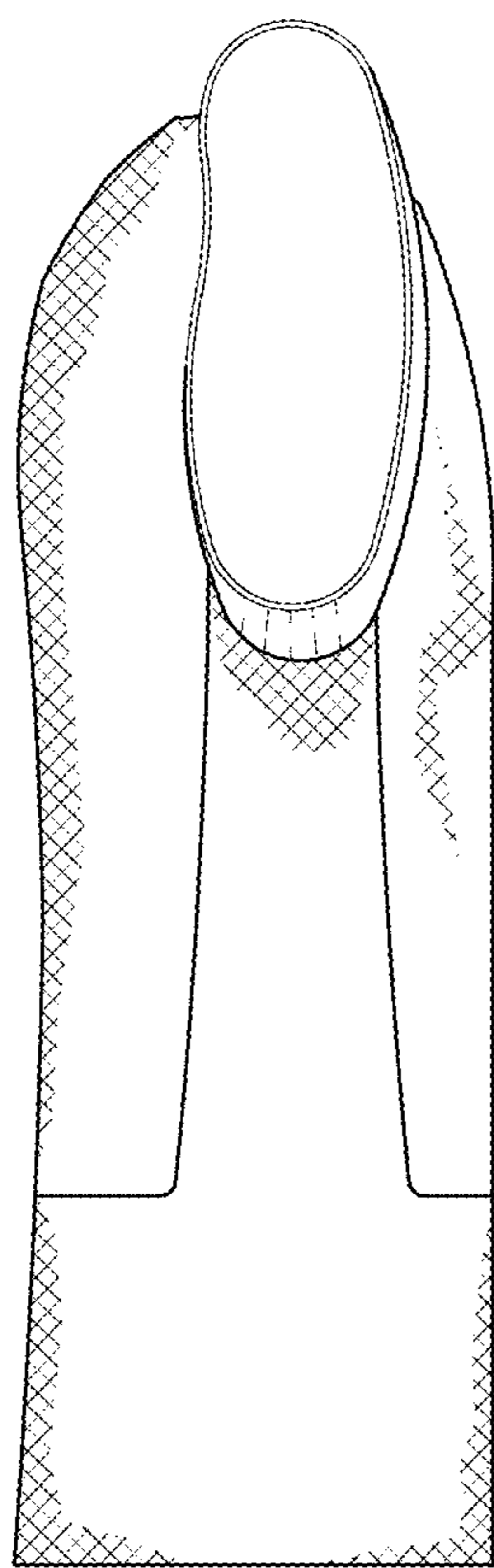


FIG. 7

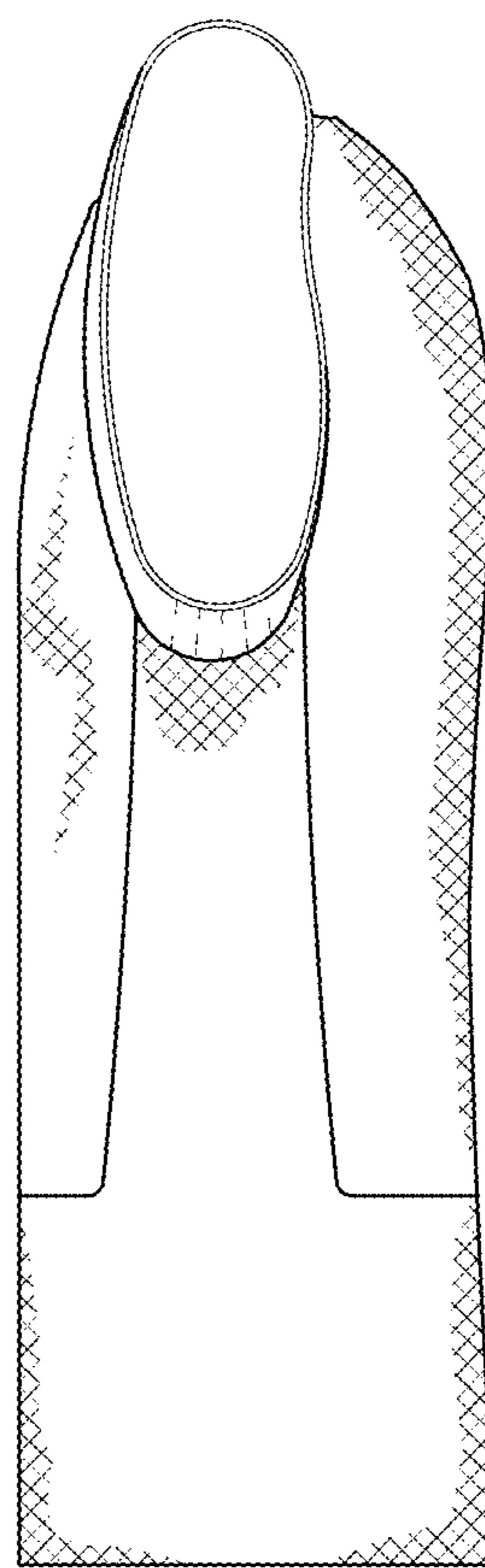


FIG. 8

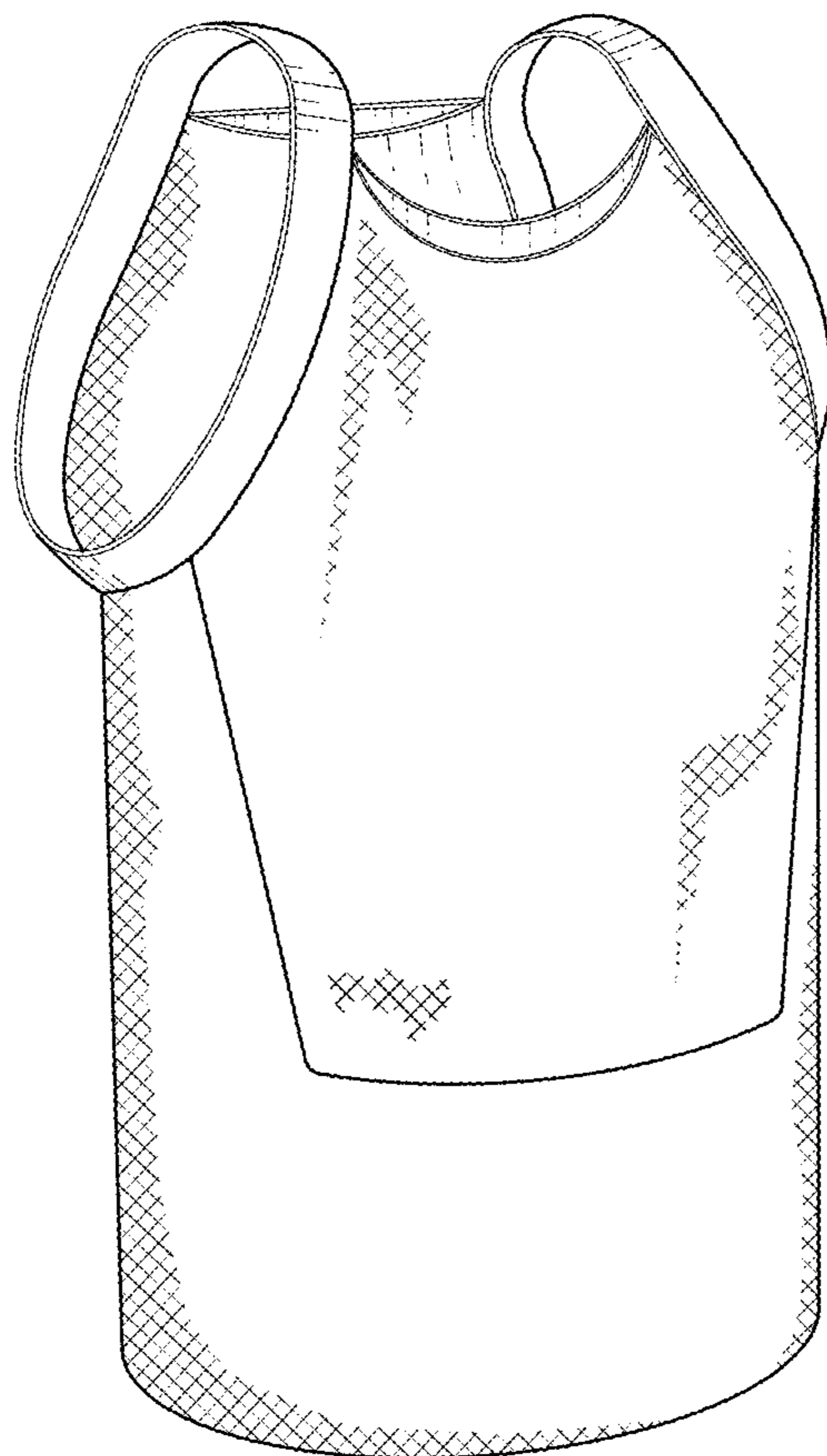


FIG. 9

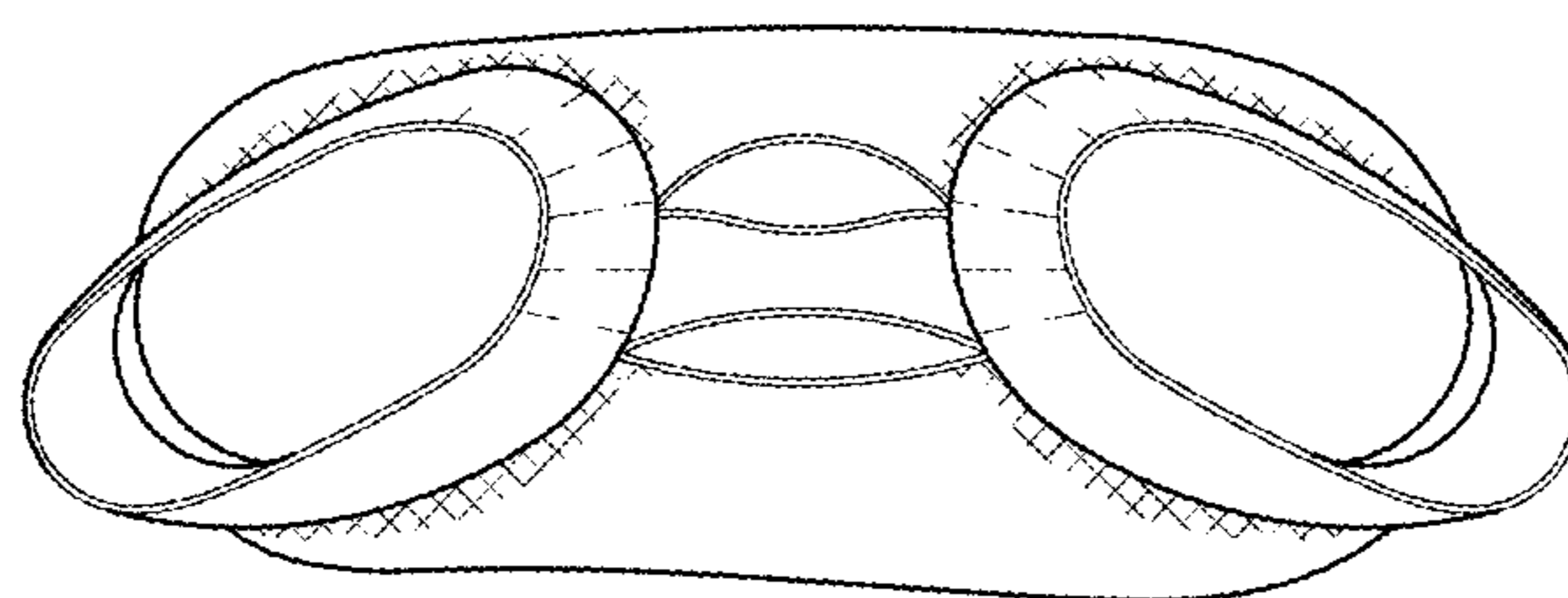


FIG. 10