



US00D721866S

(12) **United States Design Patent**
Giarraffa et al.

(10) **Patent No.:** **US D721,866 S**
(45) **Date of Patent:** **** Feb. 3, 2015**

(54) **PUSH UP POP CONTAINER**

(71) Applicants: **Rhonda Dee Giarraffa**, Cumming, GA (US); **Malek Moussan**, Laguna Niguel, CA (US); **Monique Moussan**, Laguna Niguel, CA (US)

(72) Inventors: **Rhonda Dee Giarraffa**, Cumming, GA (US); **Malek Moussan**, Laguna Niguel, CA (US); **Monique Moussan**, Laguna Niguel, CA (US)

(**) Term: **14 Years**

(21) Appl. No.: **29/461,761**

(22) Filed: **Jul. 26, 2013**

(51) **LOC (10) Cl.** **01-01**

(52) **U.S. Cl.**
USPC **D1/105; D7/672**

(58) **Field of Classification Search**
CPC B65D 3/10; B65D 2543/00092; B43K 21/08; B43K 21/12; B43K 21/14; B43K 21/085; A45D 34/041; A45D 40/04
USPC D1/100–130, 199; D7/672, 602, 612, D7/629, 665–670; 426/143, 275, 277, 279, 426/281–284, 292, 295, 391, 496, 514, 566, 426/572, 660, 94, 138, 92; 249/92; D9/423–424, 431–432, 629, 782; 229/5.5, 103.11; D8/83; D21/487; D28/87; 401/77, 212, 37, 52, 69
See application file for complete search history.

(56) **References Cited**

U.S. PATENT DOCUMENTS

3,459,296	A *	8/1969	Berg	206/229
D250,556	S *	12/1978	Shorin et al.	D1/102
4,355,756	A *	10/1982	Furuya et al.	229/4.5
D283,481	S *	4/1986	Schmidt	D7/609
5,044,502	A *	9/1991	Hale	206/595
D336,017	S *	6/1993	Smith et al.	D7/629
D336,244	S *	6/1993	Arai	D9/782
D368,328	S *	3/1996	Wacker	D28/85

D377,407	S *	1/1997	Margolis	D1/102
D490,704	S *	6/2004	Atkinson et al.	D9/432
D681,906	S *	5/2013	Martellato	D1/105
D681,907	S *	5/2013	Martellato	D1/105
D681,908	S *	5/2013	Martellato	D1/105
D685,976	S *	7/2013	Martellato	D1/105
2013/0195538	A1 *	8/2013	Jones et al.	401/61

OTHER PUBLICATIONS

Push Up Pop Container, Nov. 18, 2011. [online.] [retrieved on Aug. 18, 2014]. Retrieved from internet <URL: <http://www.thepartyanimal-blog.org/the-party-animals-push-up-pops/>>.*

* cited by examiner

Primary Examiner — Deanna L Pratt
Assistant Examiner — Katie Mroczka

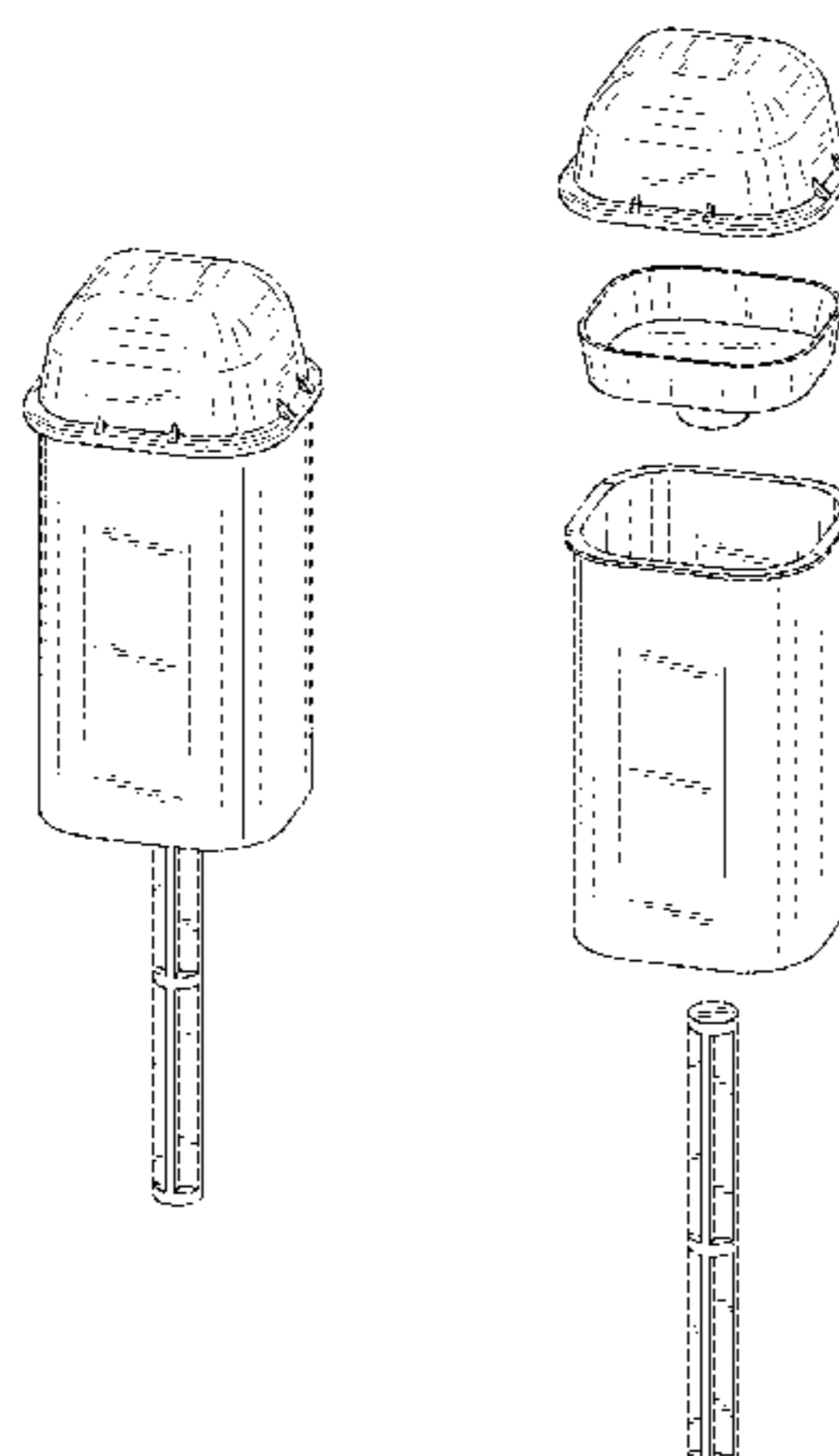
(57) **CLAIM**

The ornamental design for a push up pop container, as shown and described.

DESCRIPTION

FIG. 1 is a perspective front view of an embodiment of a push up pop container;
FIG. 2 is a front elevation view of an embodiment of the push up pop container; the rear elevation, left side view, and right view being identical to the front elevation view;
FIG. 3 is a top plan view of an embodiment of the push up pop container;
FIG. 4 is a bottom plan view of an embodiment of the push up pop container;
FIG. 5 is an exploded perspective view of an embodiment of the push up pop container;
FIG. 6 is a perspective front view of a second embodiment of a push up pop container;
FIG. 7 is a front elevation view of a second embodiment of the push up pop container; the rear elevation, left side view, and right view being identical to the front elevation view;
FIG. 8 is a top plan view of a second embodiment of the push up pop container;
FIG. 9 is a bottom plan view of a second embodiment of the push up pop container; and,
FIG. 10 is an exploded perspective view of a second embodiment of the push up pop container.

1 Claim, 4 Drawing Sheets



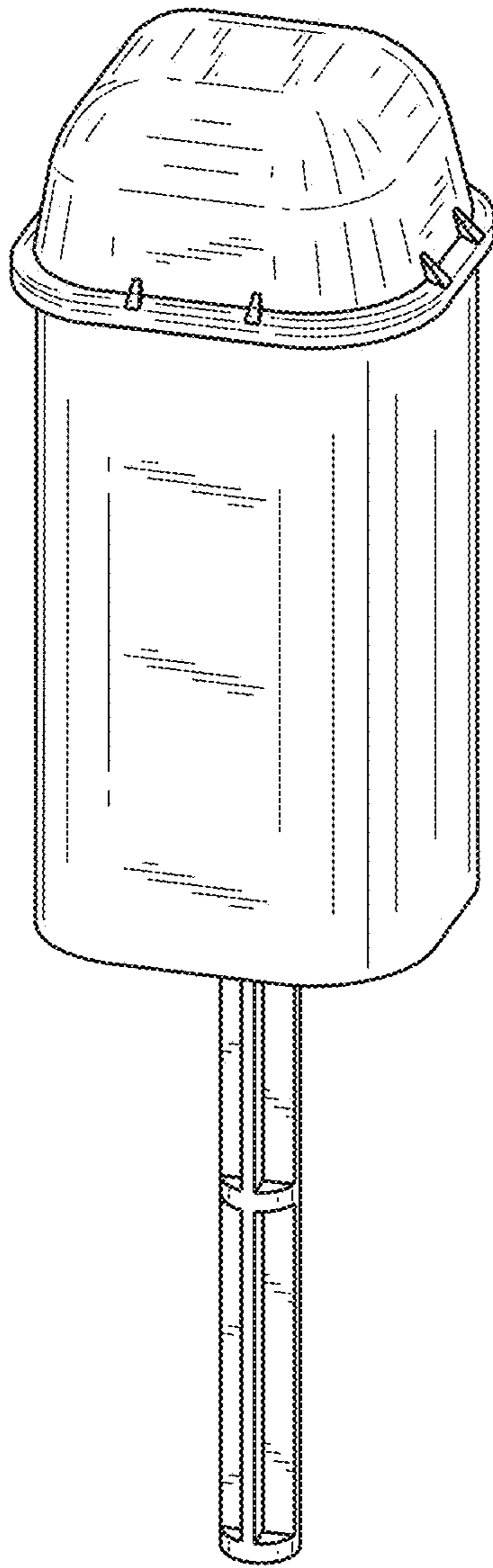


FIG. 1

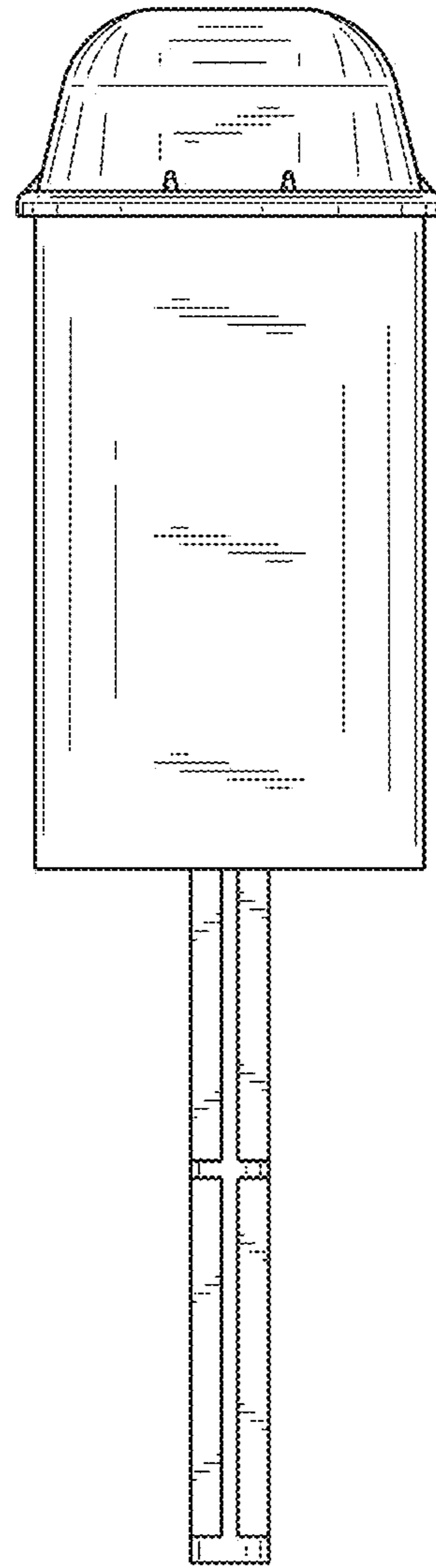


FIG. 2

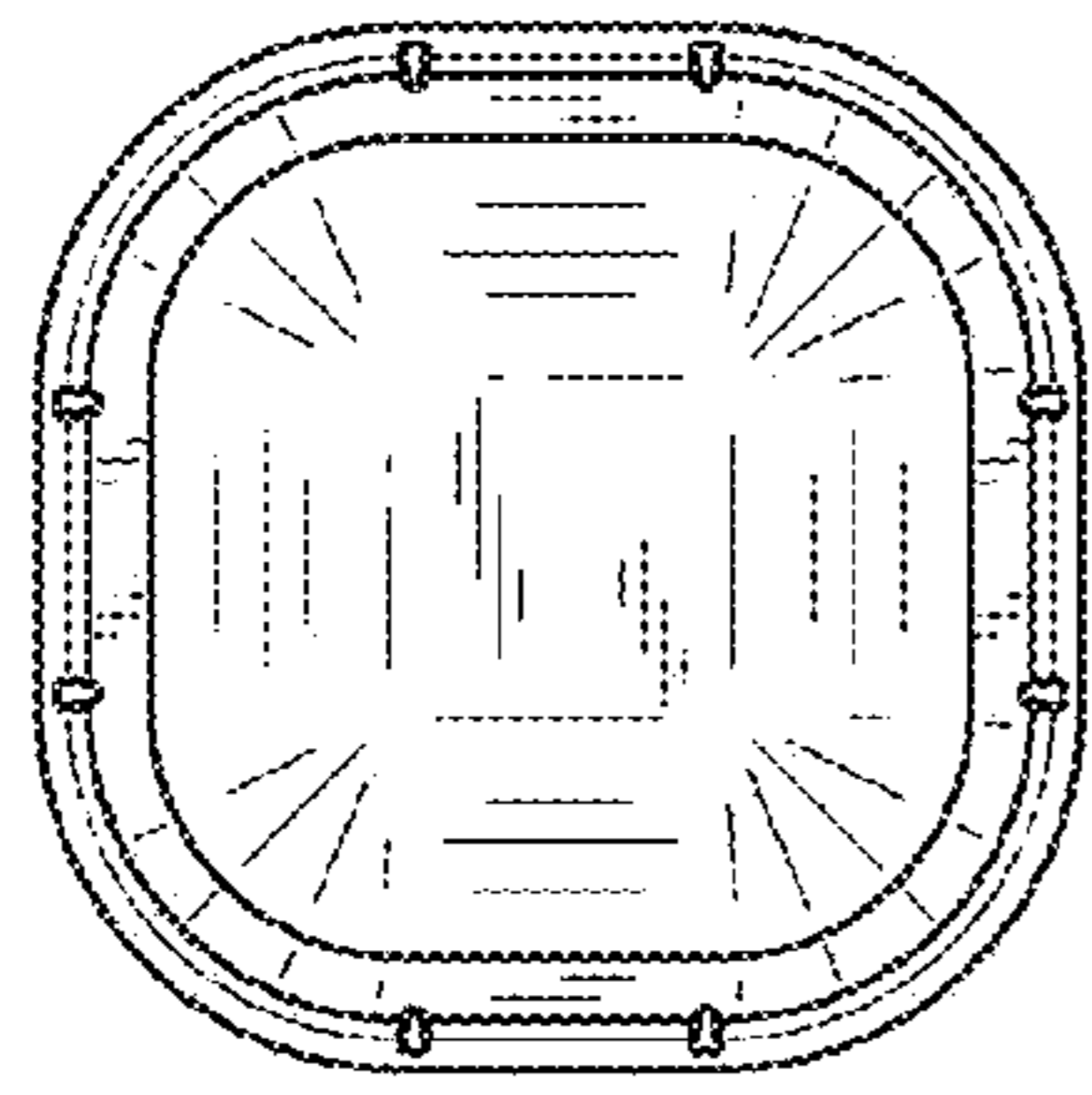


FIG. 3

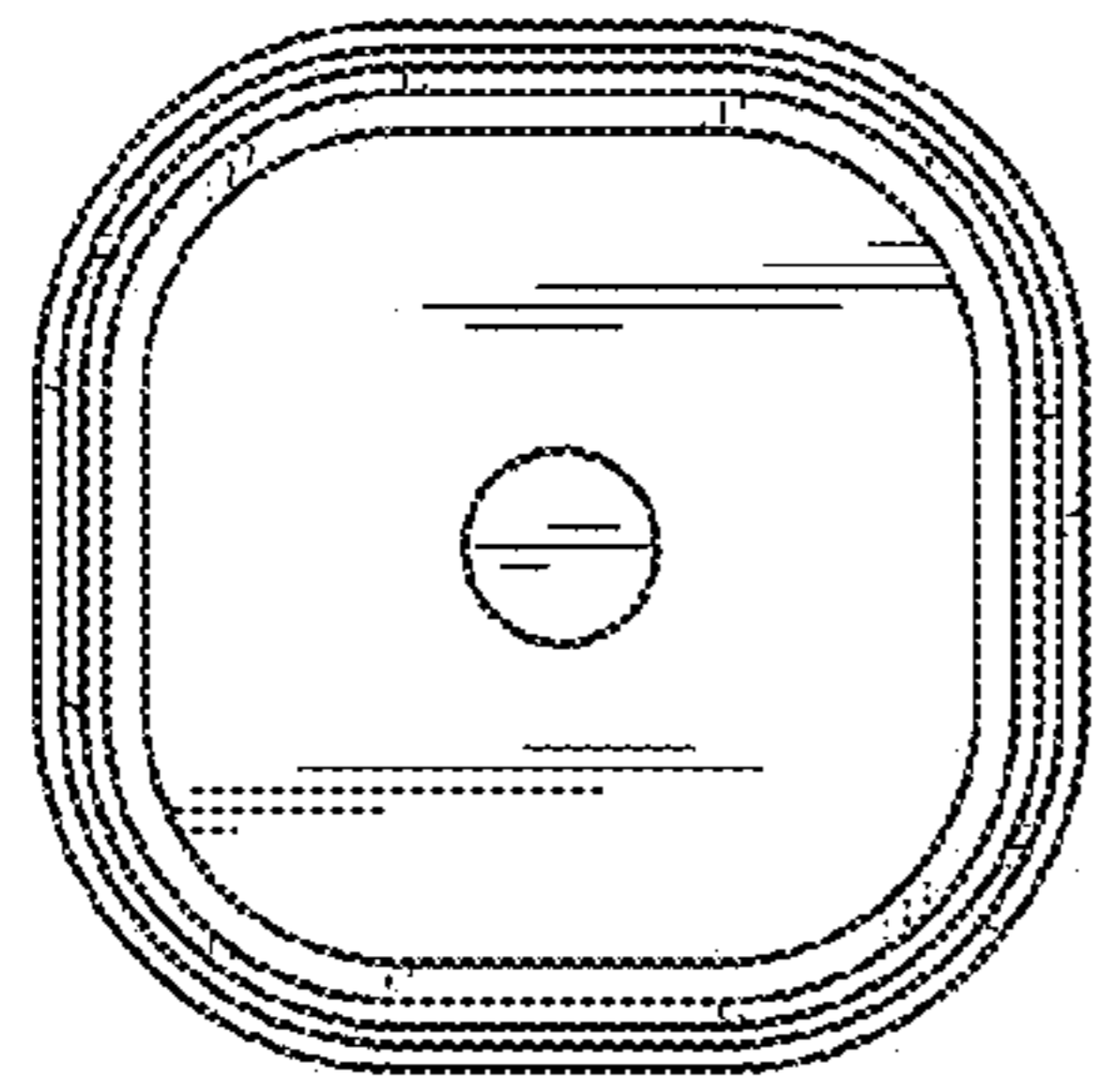
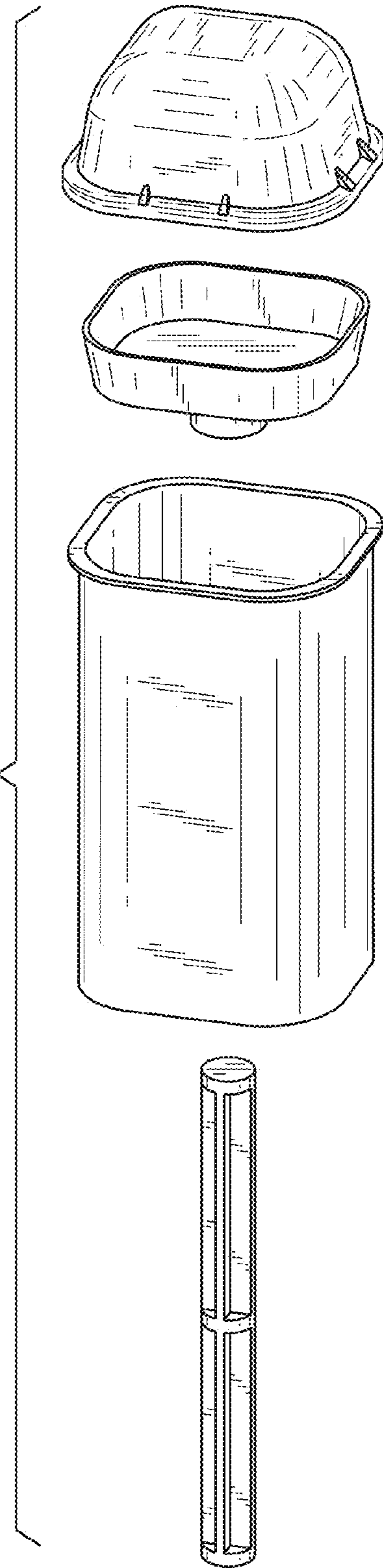


FIG. 4

FIG. 5 <



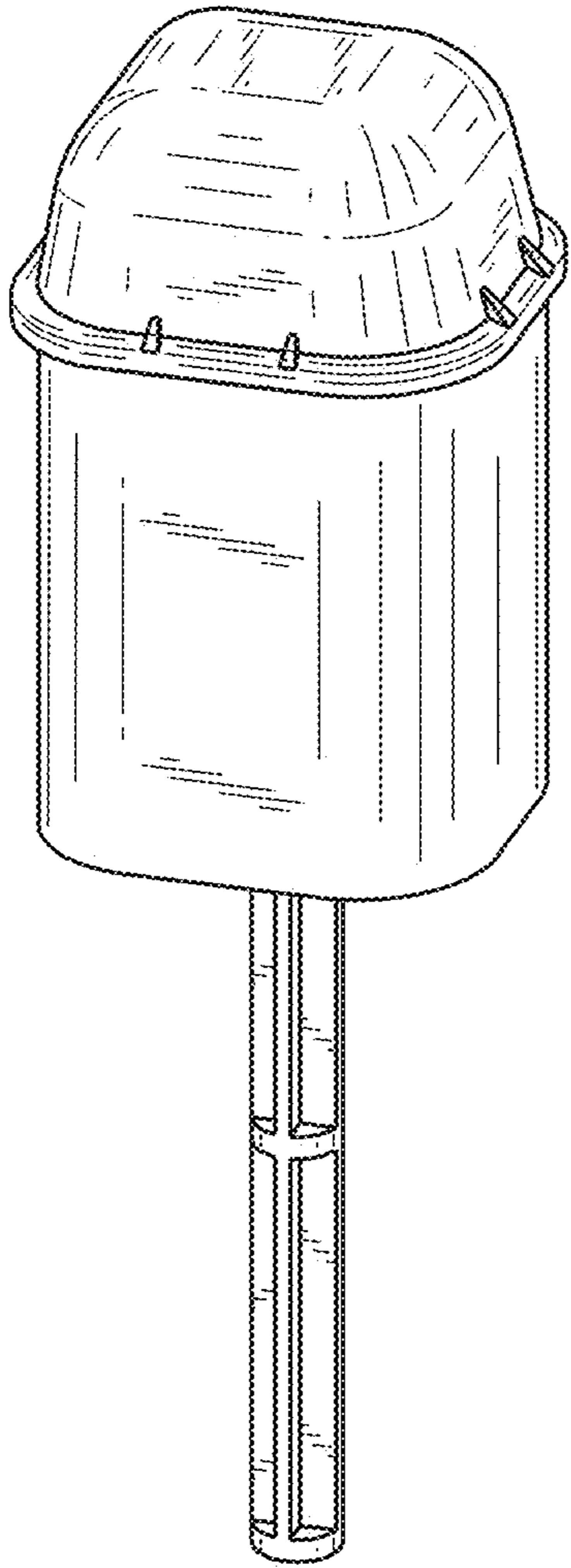


FIG. 6

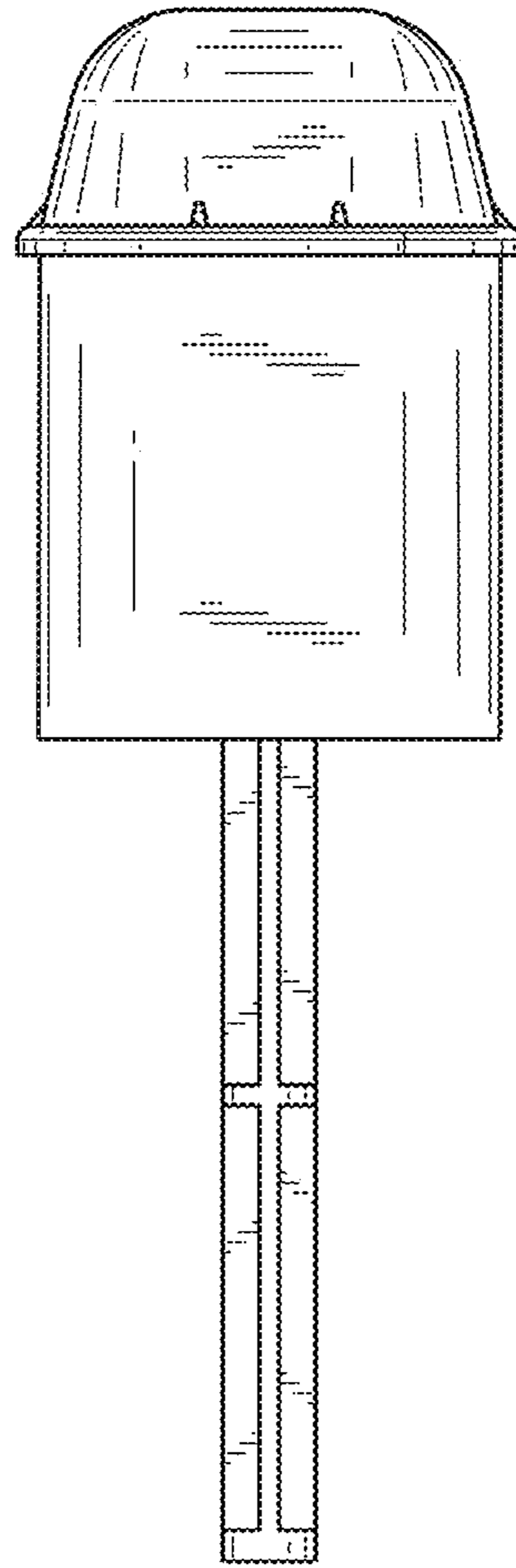


FIG. 7

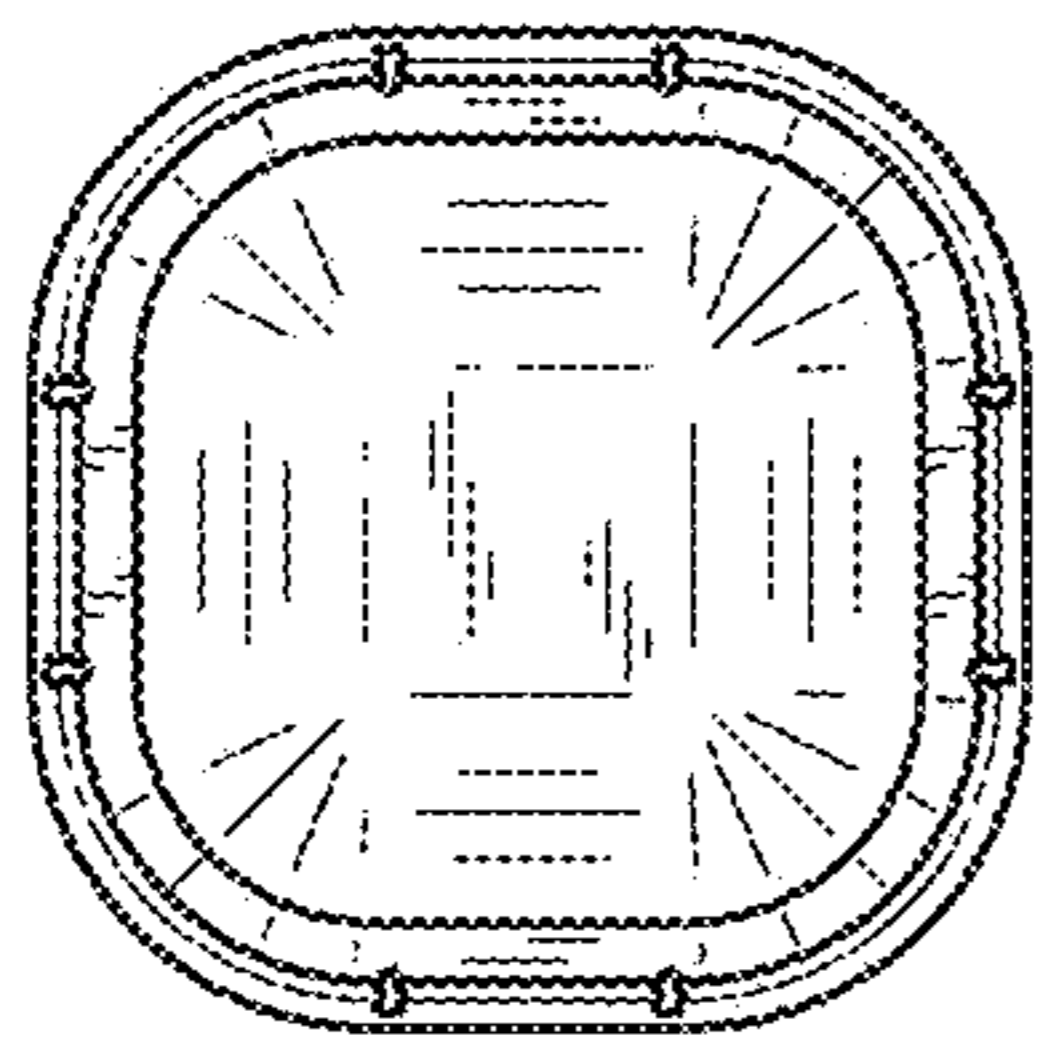


FIG. 8

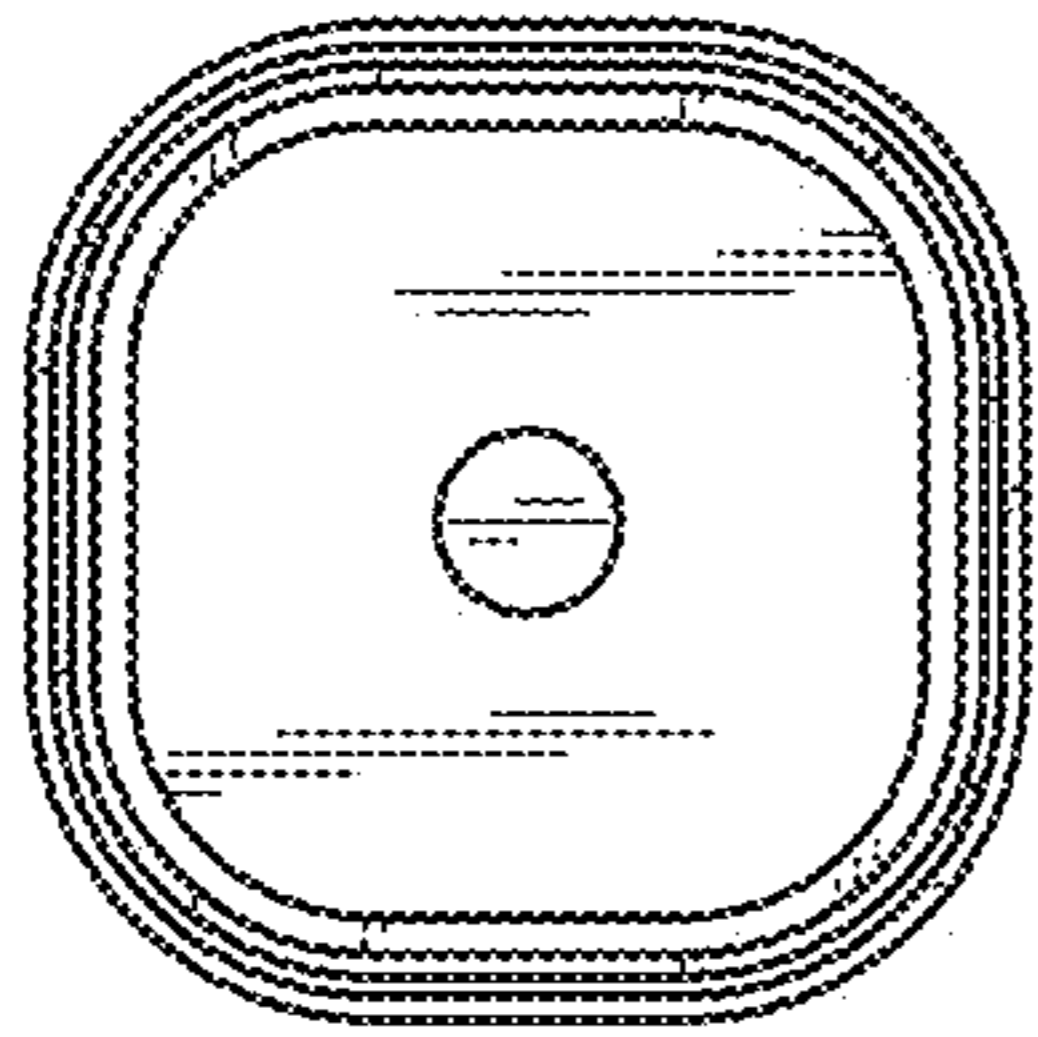


FIG. 9

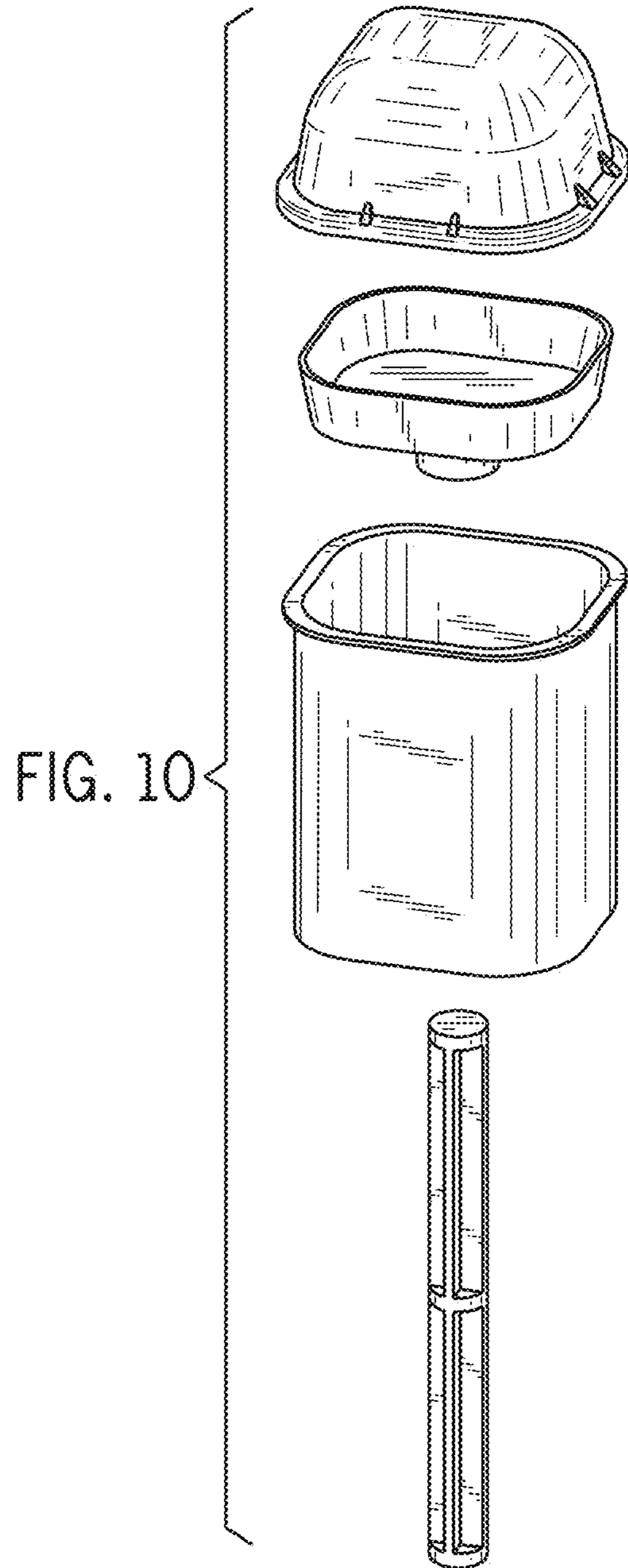


FIG. 10