



US00D721865S

(12) **United States Design Patent**
Adler

(10) **Patent No.:** **US D721,865 S**

(45) **Date of Patent:** **** *Jan. 27, 2015**

- (54) **MEMORIAL WITH DRAWER**
- (71) Applicant: **Aliza B. Adler**, Washington, DC (US)
- (72) Inventor: **Aliza B. Adler**, Washington, DC (US)
- (*) Notice: This patent is subject to a terminal disclaimer.
- (**) Term: **14 Years**
- (21) Appl. No.: **29/477,062**
- (22) Filed: **Dec. 19, 2013**
- (51) **LOC (10) Cl.** **99-00**
- (52) **U.S. Cl.**
USPC **D99/17**
- (58) **Field of Classification Search**
CPC A61G 17/00
USPC D99/8, 17, 19, 25, 43; D11/131, 143,
D11/144; D6/661.2; D14/450; 27/1, 30;
312/33; 40/722, 725, 124.5; 53/36.1,
53/63; 211/194
See application file for complete search history.

D275,916	S	*	10/1984	Brandel	D6/436
4,657,149	A	*	4/1987	Masson	211/194
D303,033	S	*	8/1989	Powell et al.	D99/17
D386,317	S	*	11/1997	Costa	D6/300
5,704,103	A	*	1/1998	Crowley et al.	27/1
D496,053	S	*	9/2004	Wetzel	D15/79
7,251,869	B1	*	8/2007	Brown et al.	27/2
8,074,328	B2	*	12/2011	Roberts	27/1
D711,065	S	*	8/2014	Rashkovan et al.	D99/43

* cited by examiner

Primary Examiner — Paula Greene

(74) *Attorney, Agent, or Firm* — Venable LLP; Steven J. Schwarz

(57) **CLAIM**

The ornamental design for memorial with drawer, as shown and described.

DESCRIPTION

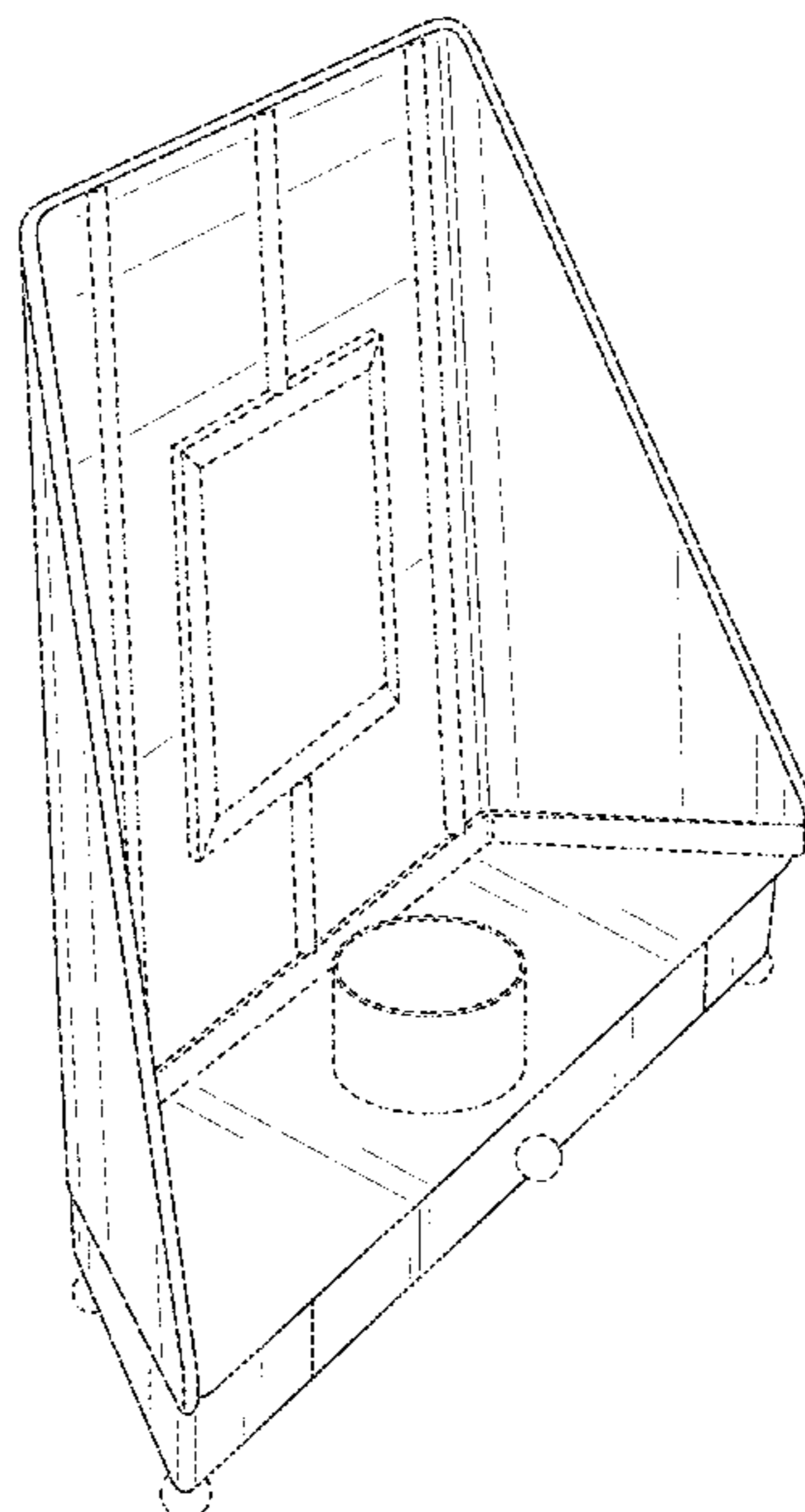
FIG. 1 is a perspective view of a memorial with drawer showing my new design;
 FIG. 2 is a front elevational view of the memorial of FIG. 1;
 FIG. 3 is a rear elevational view of the memorial of FIG. 1;
 FIG. 4 is a right-side elevational view of the memorial of FIG. 1;
 FIG. 5 is a left-side elevational view of the memorial of FIG. 1;
 FIG. 6 is a top elevational view of the memorial of FIG. 1; and,
 FIG. 7 is a bottom elevational view of the memorial of FIG. 1.
 The features shown in broken lines are environment only and not part of the claimed design.

1 Claim, 5 Drawing Sheets

(56) **References Cited**

U.S. PATENT DOCUMENTS

D30,899	S	*	5/1899	Robin	D15/78
1,450,148	A	*	3/1923	Erkenswick	312/33
D67,406	S	*	5/1925	Ledewich	D99/19
D102,517	S	*	12/1936	Seibert et al.	D99/17
D148,359	S	*	1/1948	Joelson	D6/300
D172,103	S	*	5/1954	Malkin	D6/471
3,085,839	A	*	4/1963	Gallagher	312/33
D211,219	S	*	5/1968	Estandian	D99/17
4,324,026	A	*	4/1982	Craft	27/1



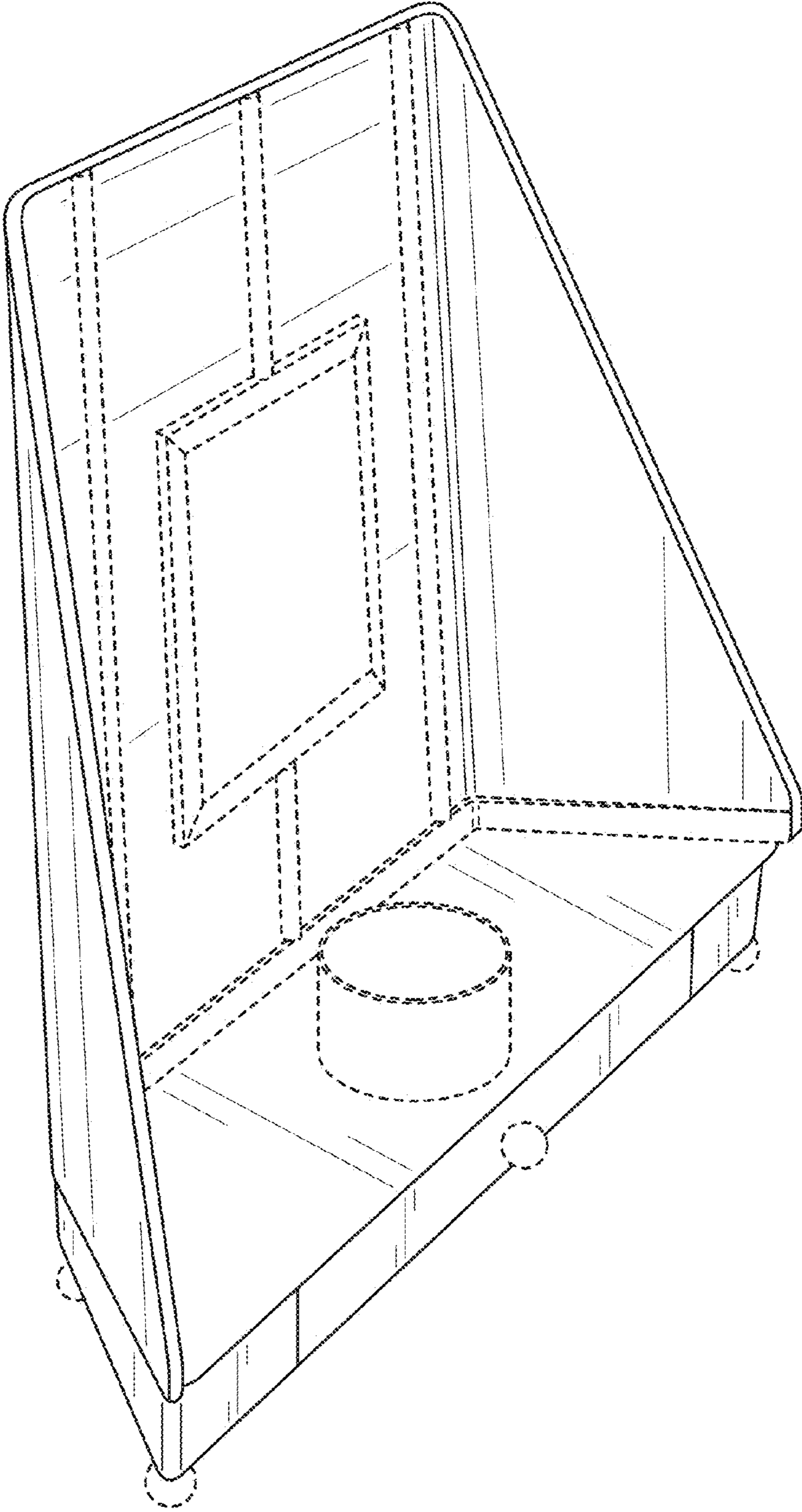


FIG. 1

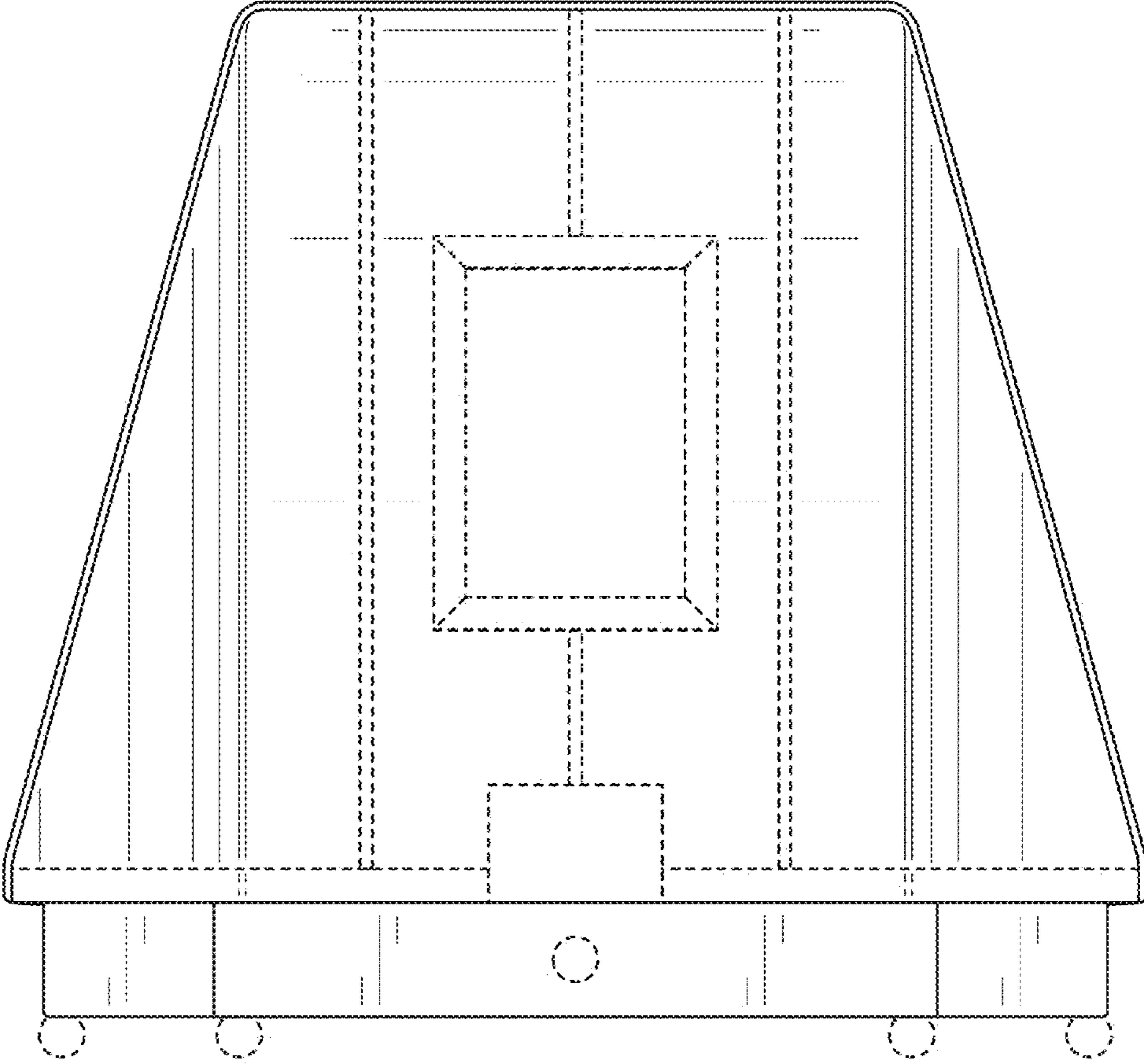


FIG. 2

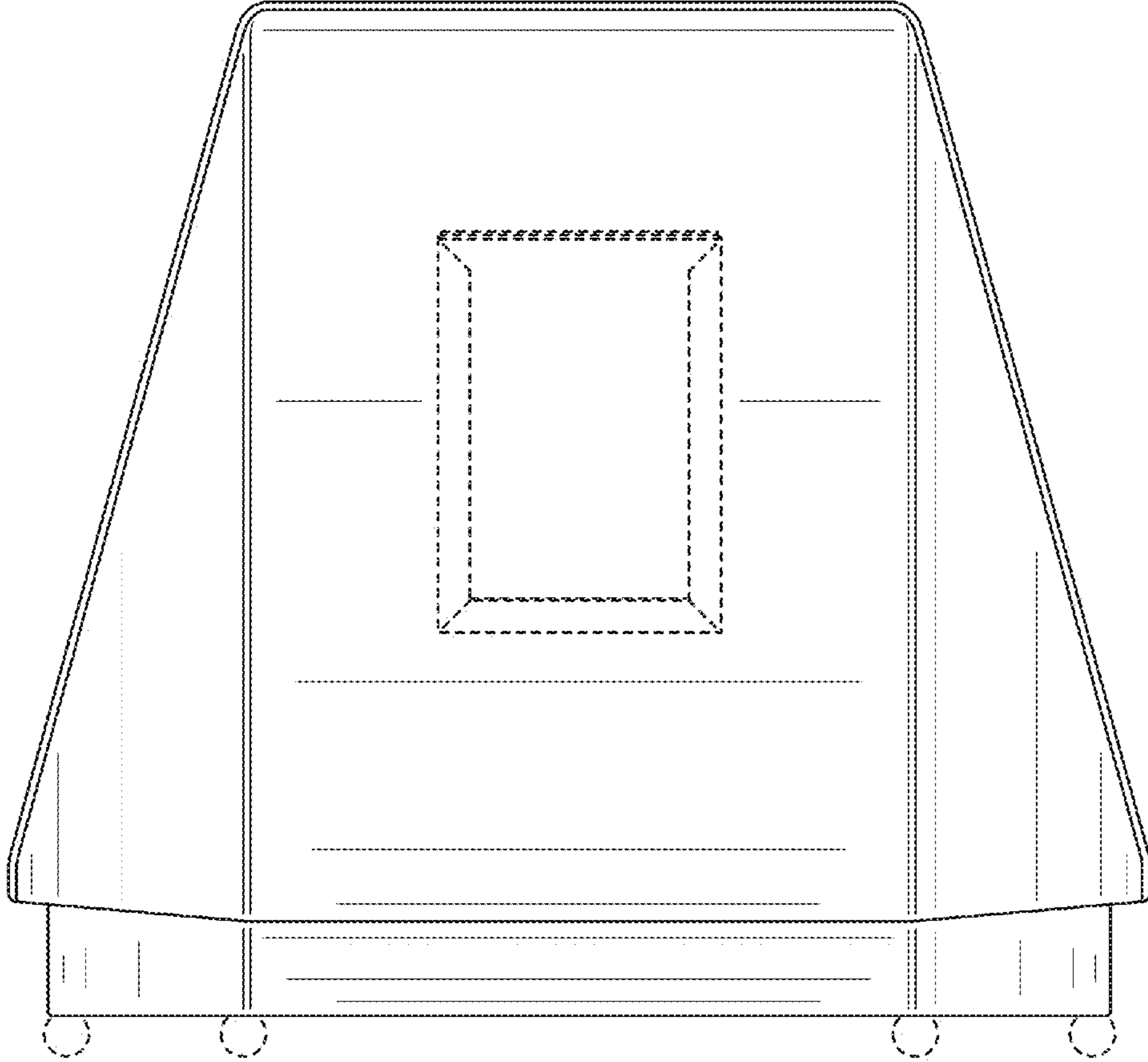


FIG. 3

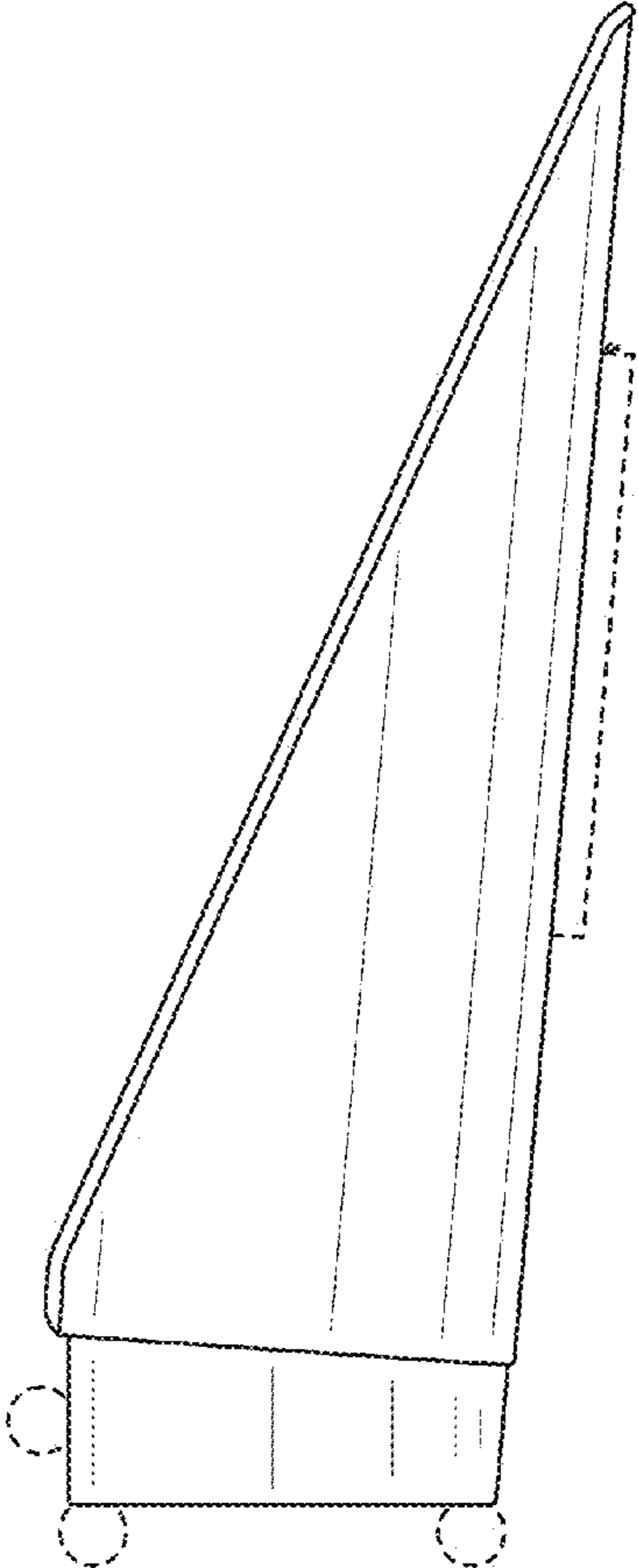


FIG. 4

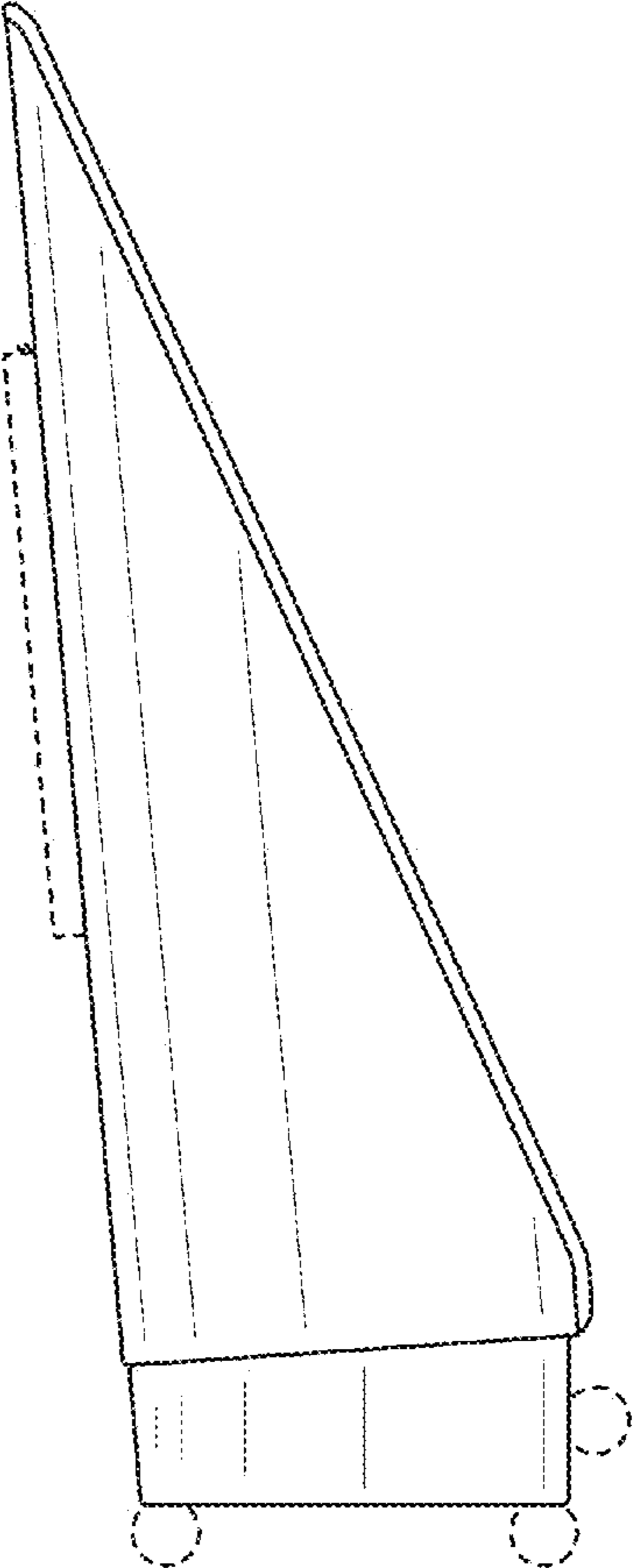


FIG. 5

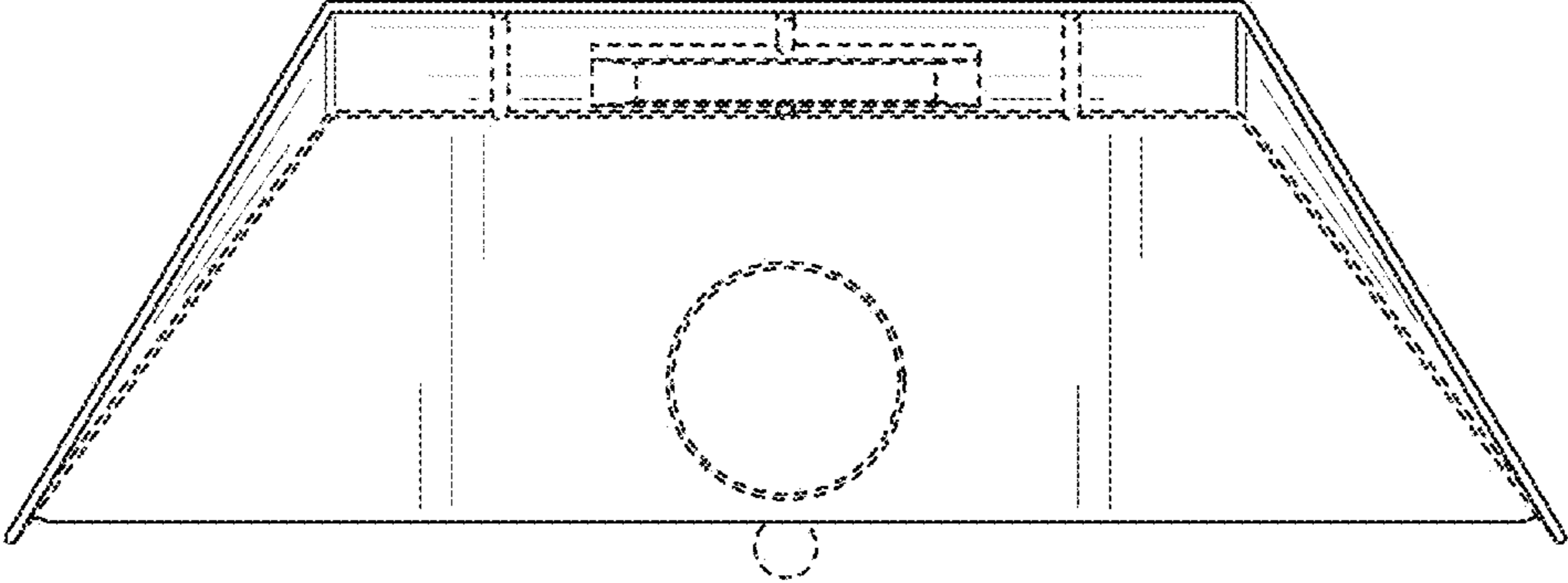


FIG. 6

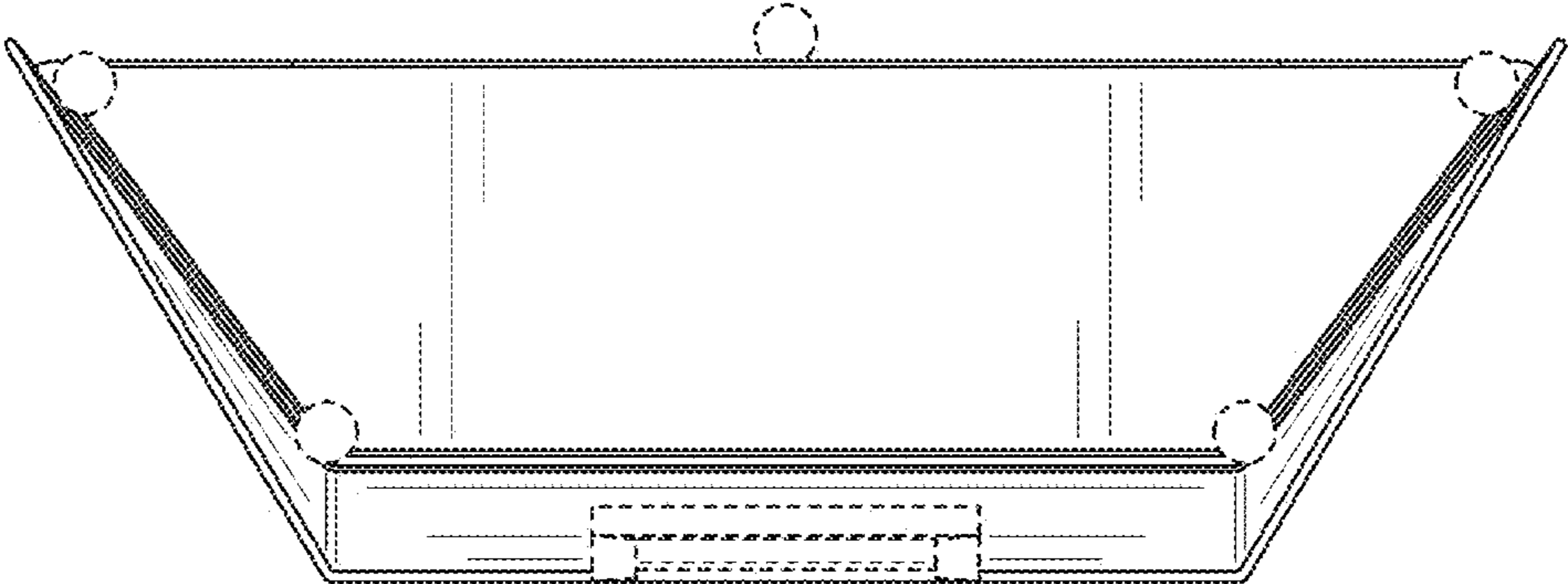


FIG. 7