



US00D721863S

(12) **United States Design Patent**  
**Geva et al.**

(10) **Patent No.:** **US D721,863 S**  
(45) **Date of Patent:** **\*\* Jan. 27, 2015**

(54) **SHOPPING CART WITH REMOVABLE BASKETS**

(71) Applicant: **Greencart Int Ltd.**, Ben Gurion Airport (IL)

(72) Inventors: **Rafi Geva**, Shoham (IL); **David Chiche**, Shoham (IL); **Roy Gur Ari**, Ramat Gan (IL)

(73) Assignee: **Greencart Int Ltd.**, Airport (IL)

(\*\*) Term: **14 Years**

(21) Appl. No.: **29/475,977**

(22) Filed: **Dec. 10, 2013**

(51) **LOC (10) Cl.** ..... **12-02**

(52) **U.S. Cl.**  
USPC ..... **D34/21**

(58) **Field of Classification Search**  
CPC ..... B62B 1/12; B62B 1/208; B62B 1/14;  
B62B 2202/26; B62B 2202/404; B62B 3/02;  
B62B 3/022; B62B 2205/06; B62B 5/0083;  
B62B 2202/24  
USPC ..... D34/12-27; 280/33.991, 33.992,  
280/33.993, 33.994, 47.35, 47.18, 47.19,  
280/47.24, 47.27

See application file for complete search history.

(56) **References Cited**

U.S. PATENT DOCUMENTS

D546,018	S	*	7/2007	Goodell	.....	D34/21
D601,772	S	*	10/2009	de Rueda et al.	.....	D34/12
D608,518	S	*	1/2010	Luebke	.....	D34/21
D651,781	S	*	1/2012	Geva et al.	.....	D34/21
2005/0121863	A1	*	6/2005	Libretti et al.	.....	280/33.991
2009/0058025	A1	*	3/2009	Rolim De Oliveira	..	280/33.992
2010/0044982	A1	*	2/2010	Meiri	.....	280/33.992

\* cited by examiner

*Primary Examiner* — Cynthia Ramirez

(74) *Attorney, Agent, or Firm* — D Kligler I.P. Services Ltd

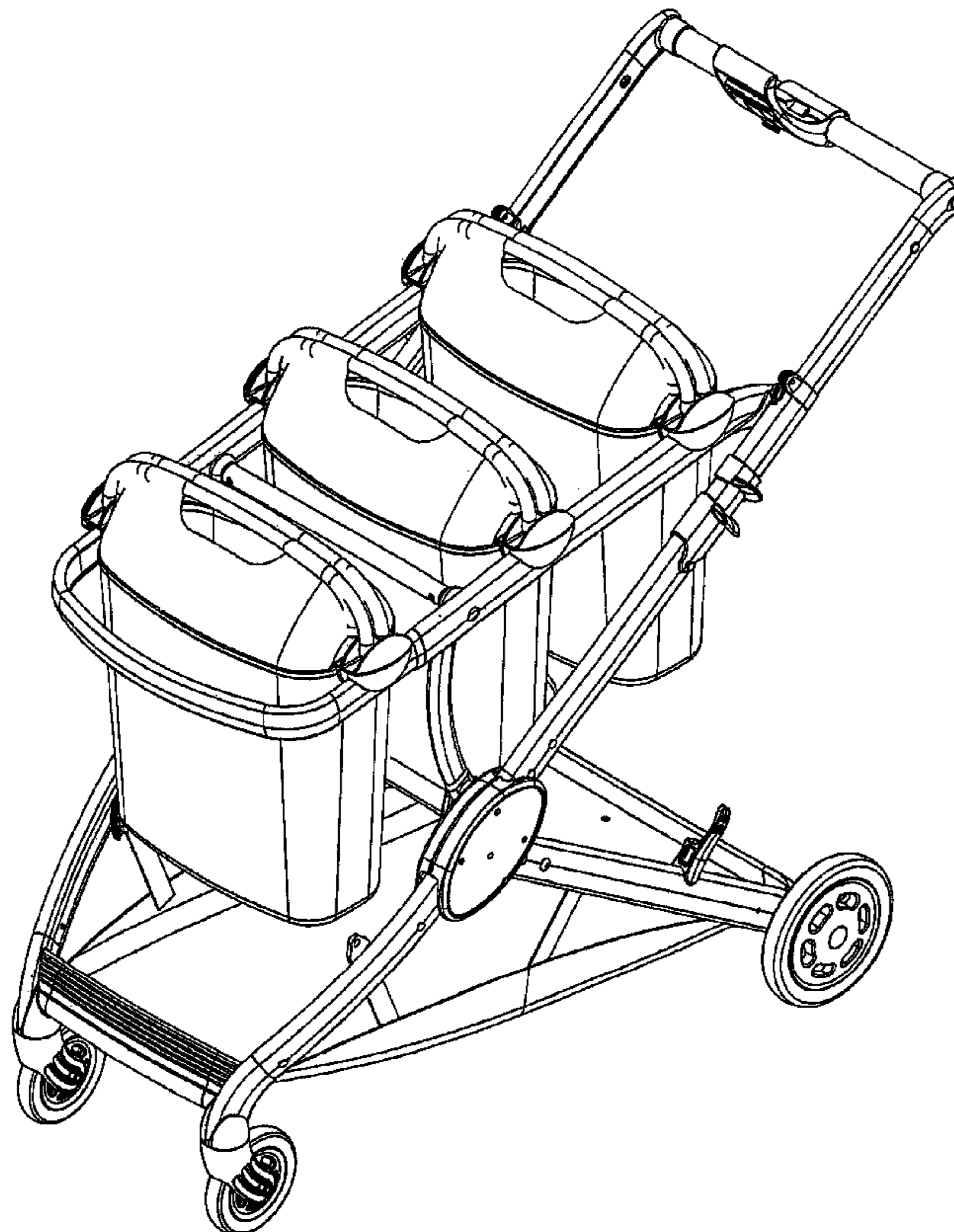
(57) **CLAIM**

The ornamental design for a shopping cart with removable baskets, as shown and described.

**DESCRIPTION**

FIG. 1 is an isometric view of the shopping cart with removable baskets, according to our new design;  
FIG. 2 is a disassembled view of the shopping cart of FIG. 1;  
FIG. 3 is a front view of the shopping cart of FIG. 1;  
FIG. 4 is a rear view of the shopping cart of FIG. 1;  
FIG. 5 is a left side view of the shopping cart of FIG. 1;  
FIG. 6 is a right side view of the shopping cart of FIG. 1;  
FIG. 7 is a top view of the shopping cart of FIG. 1; and,  
FIG. 8 is a bottom view of the shopping cart of FIG. 1.

**1 Claim, 7 Drawing Sheets**



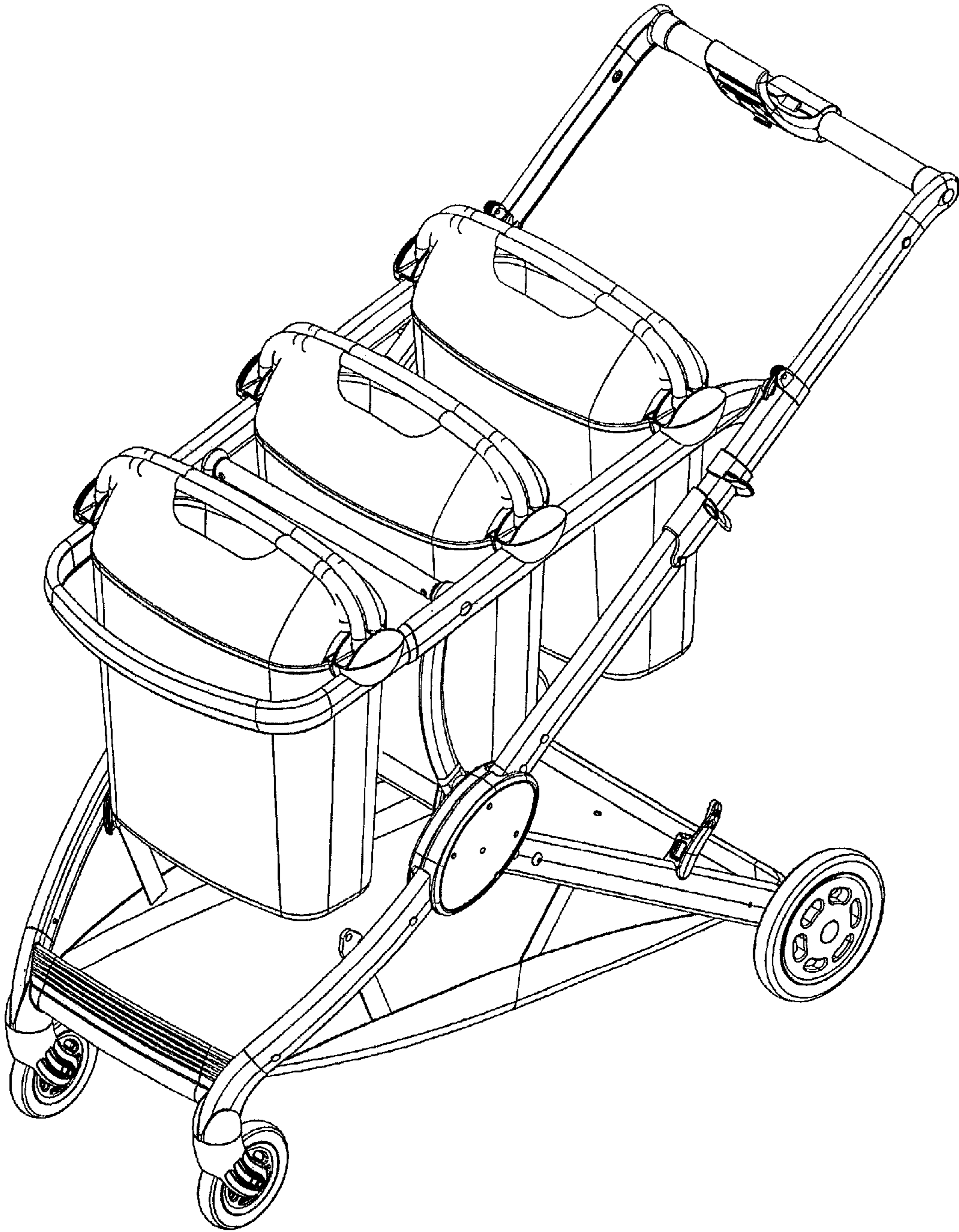


FIG.1



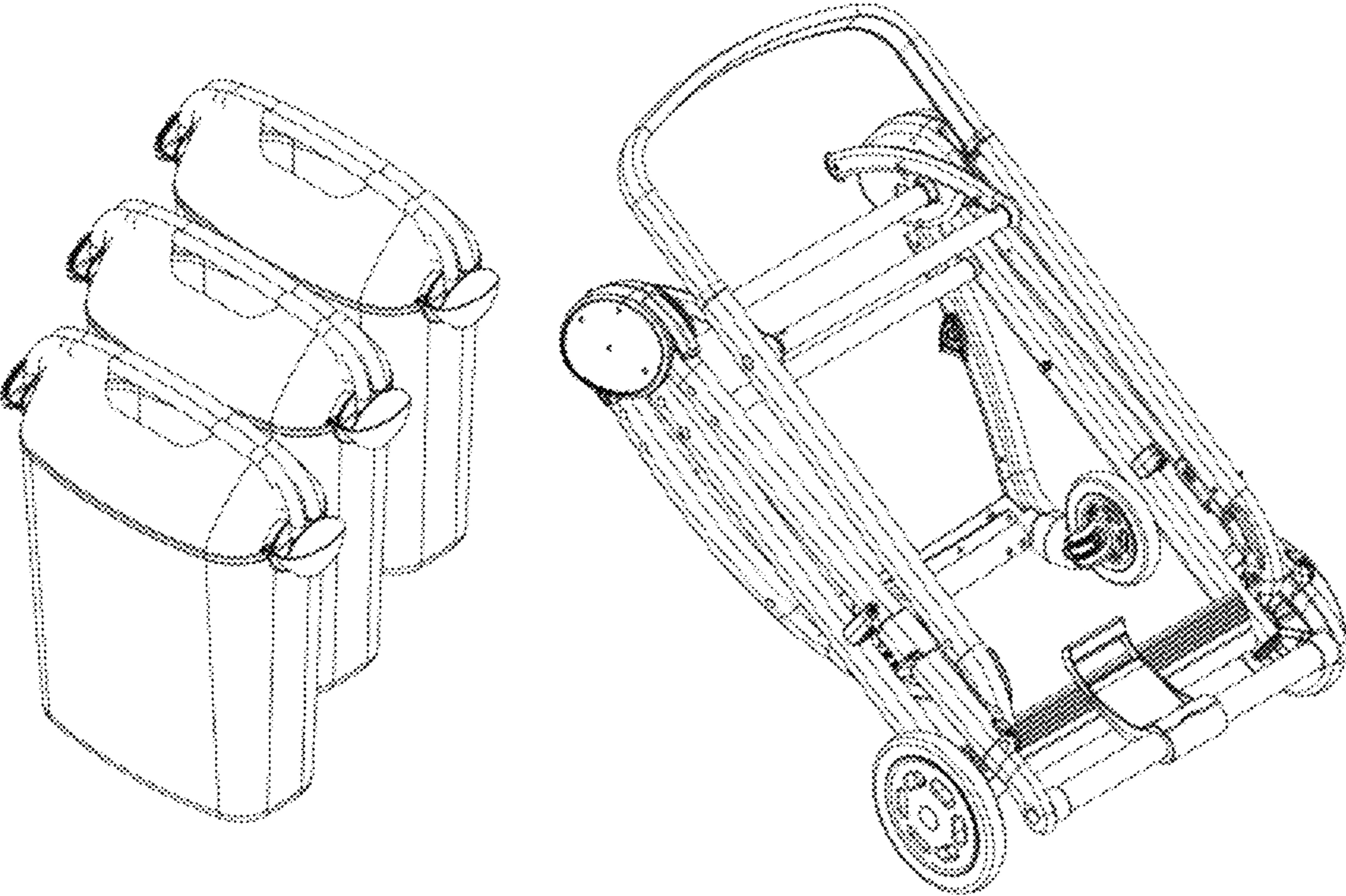


FIG. 2

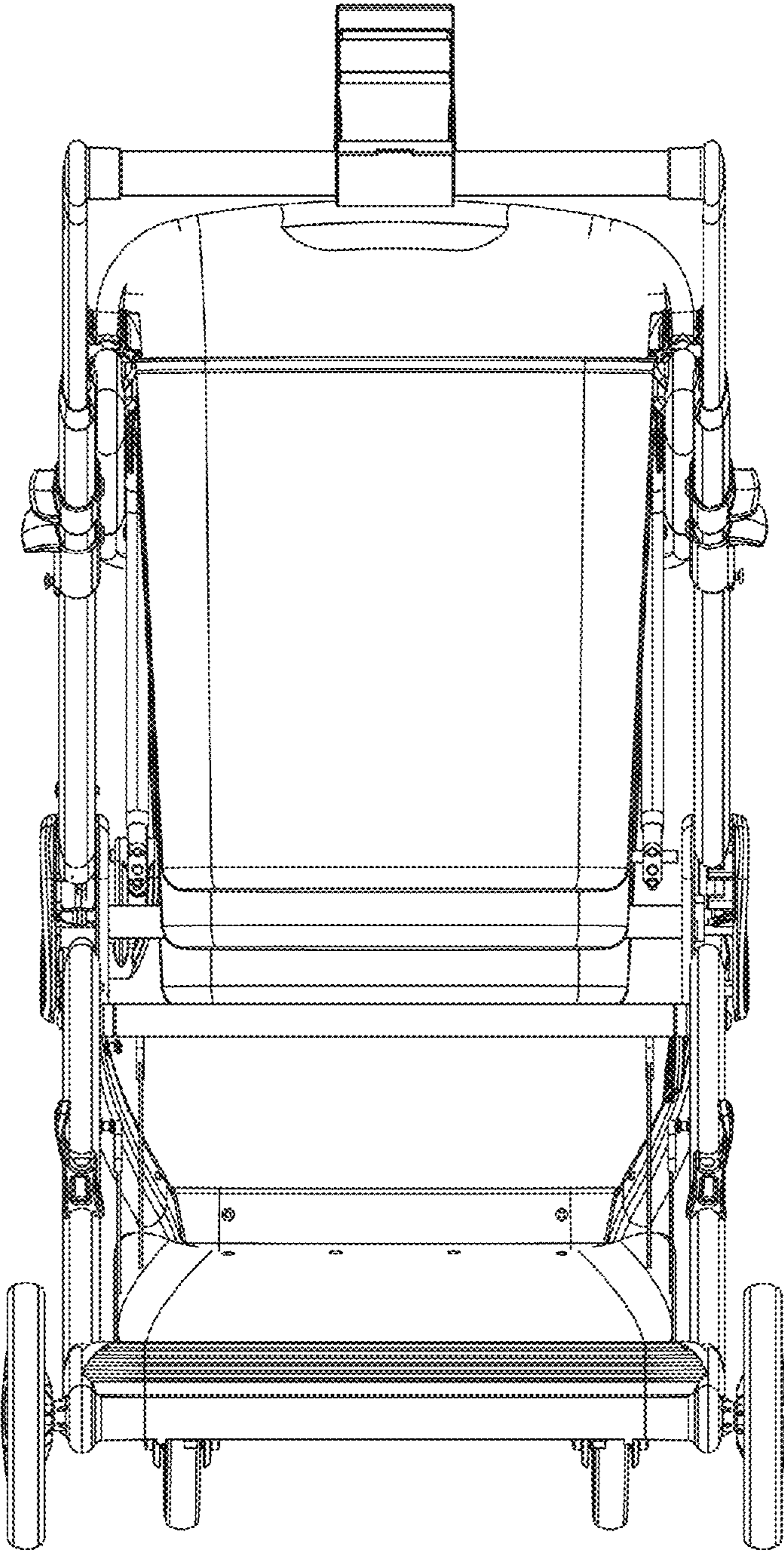


FIG. 3

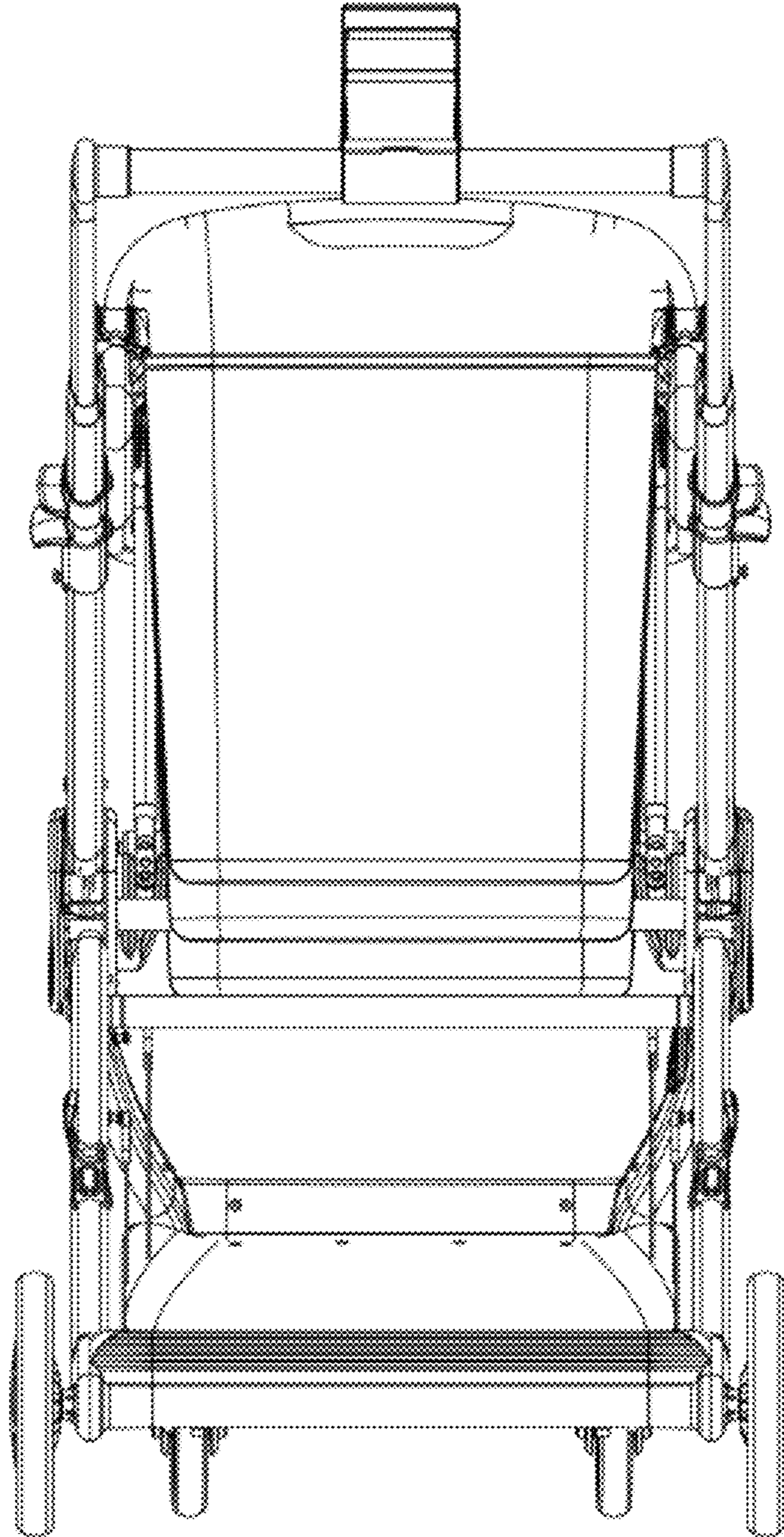


FIG. 4



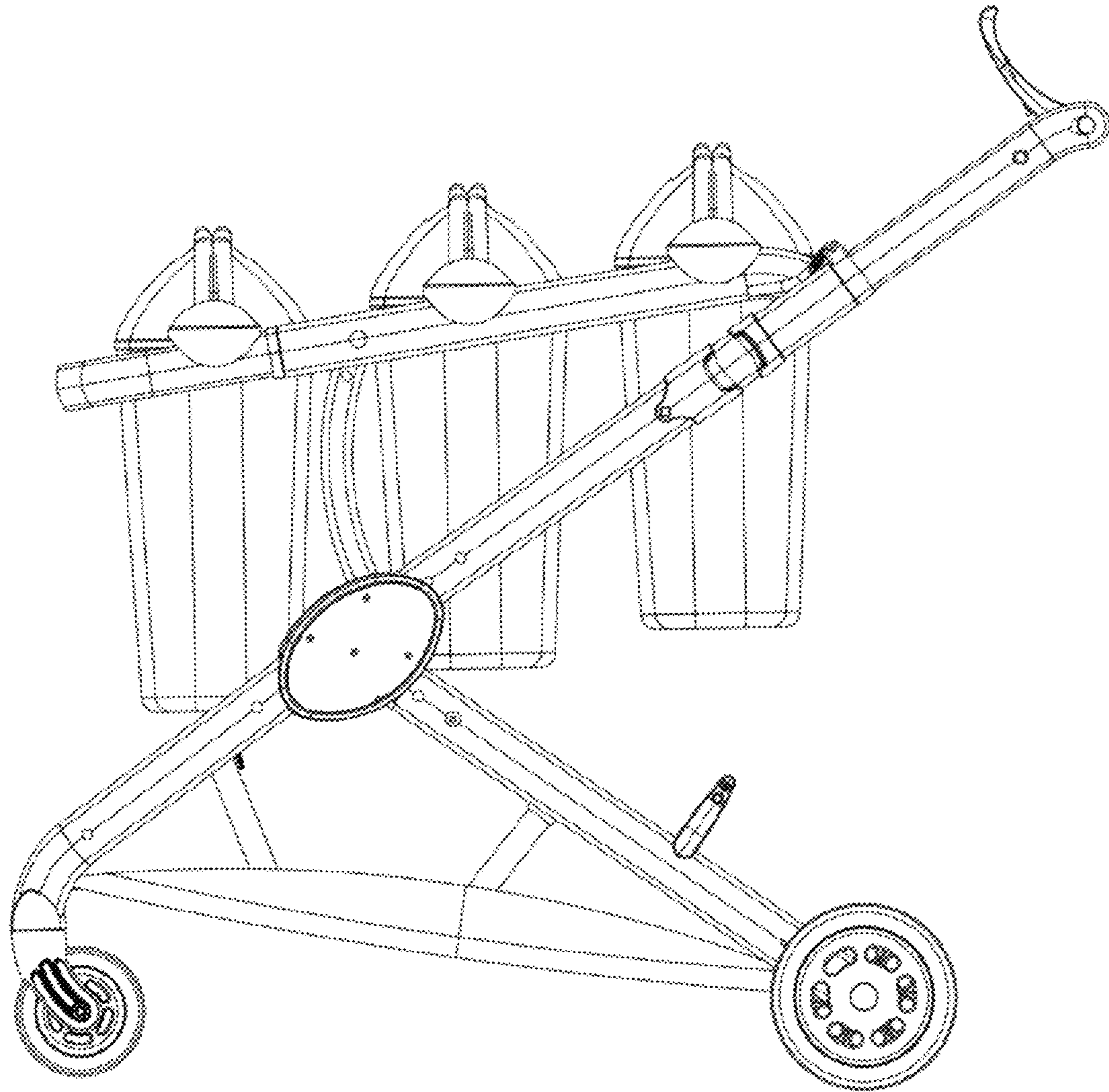


FIG. 5

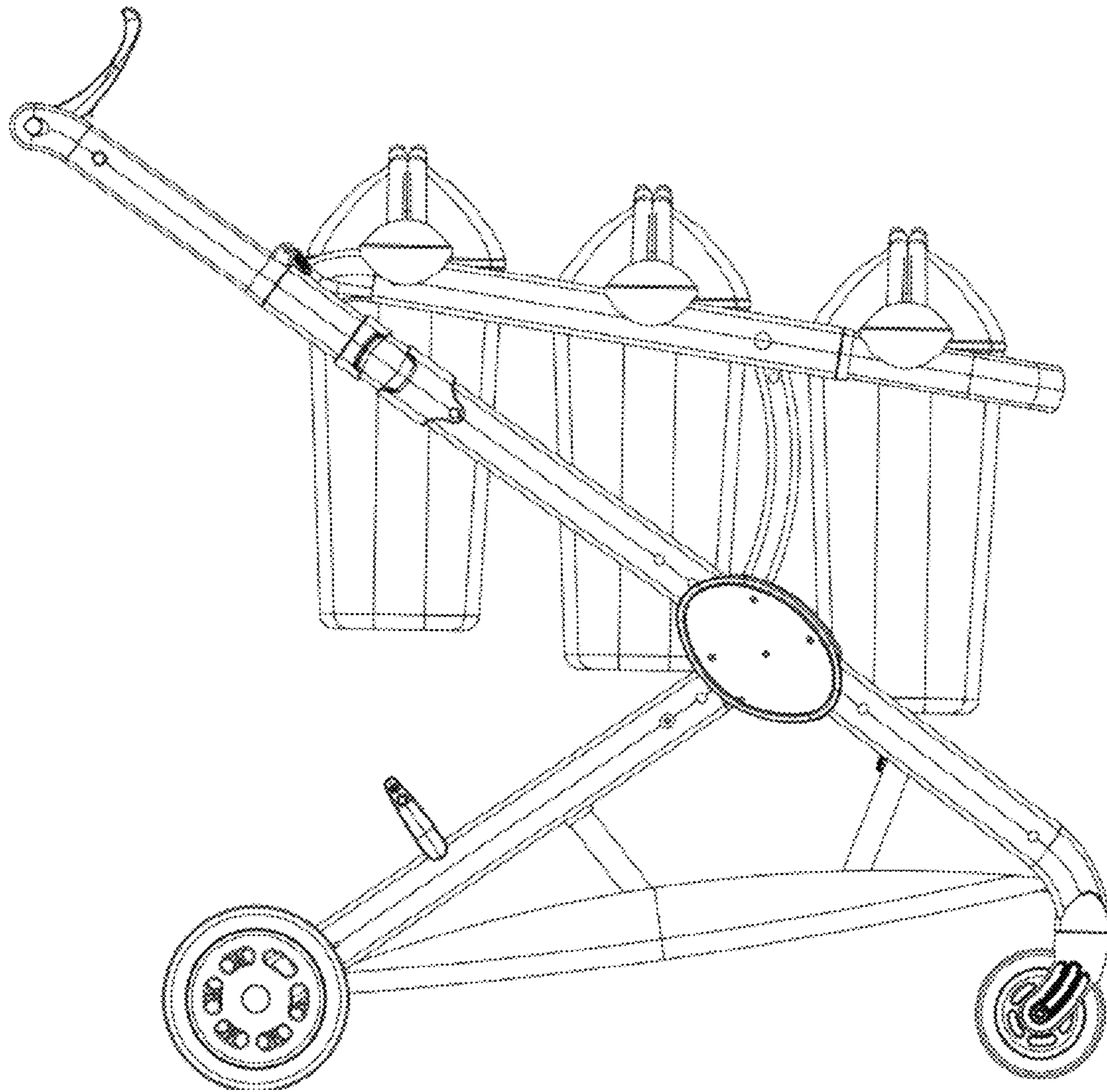


FIG. 6

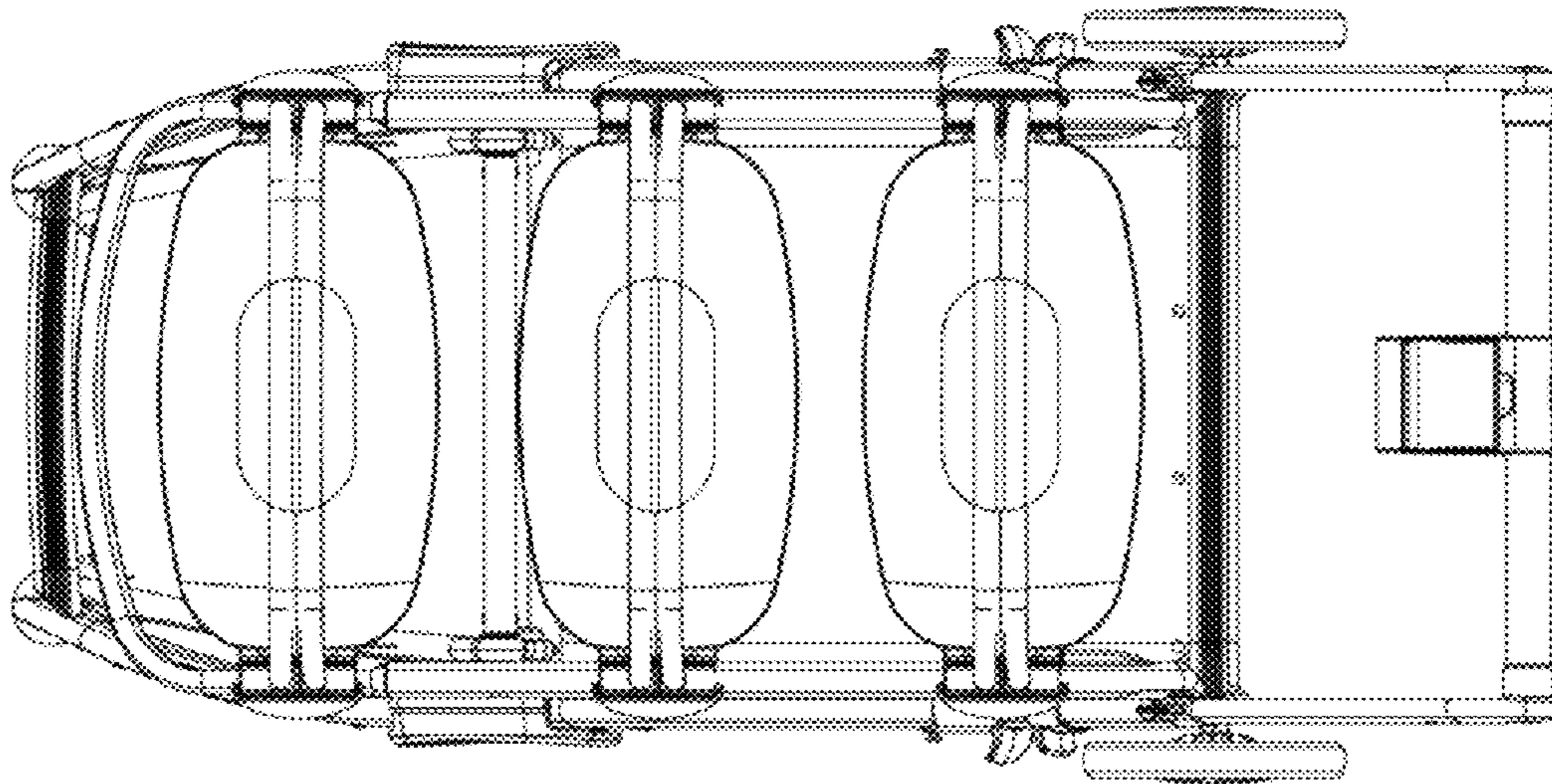


FIG. 7

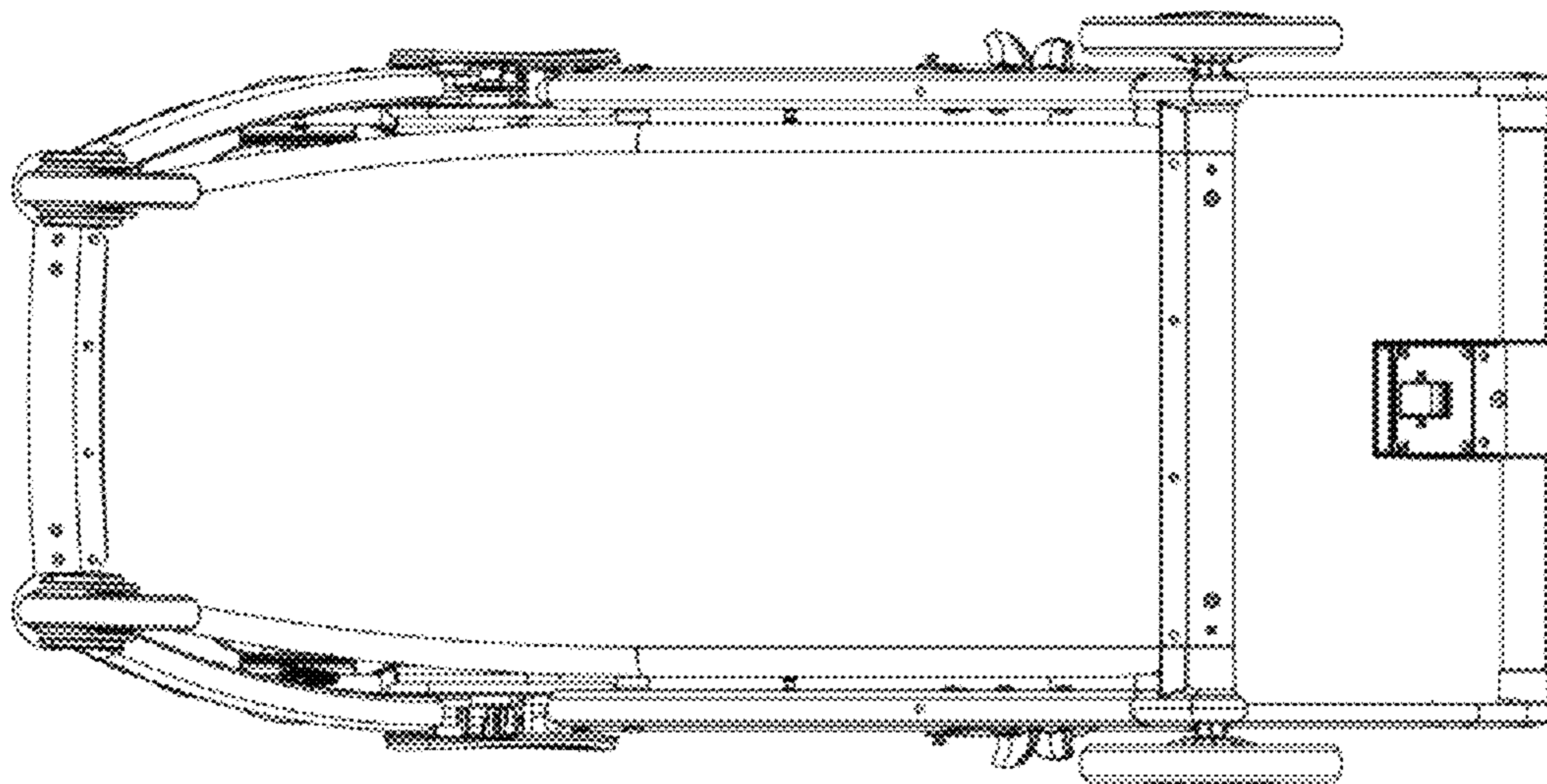


FIG. 8