

US00D721860S

(12) **United States Design Patent**
Parks

(10) **Patent No.:** **US D721,860 S**
(45) **Date of Patent:** **** Jan. 27, 2015**

- (54) **ANCHORED OUTDOOR PET DISH**
- (71) Applicant: **Cindy Parks**, Sugar Grove, VA (US)
- (72) Inventor: **Cindy Parks**, Sugar Grove, VA (US)
- (**) Term: **14 Years**
- (21) Appl. No.: **29/481,314**
- (22) Filed: **Feb. 4, 2014**

4,908,066	A *	3/1990	Taylor et al.	108/26
4,953,506	A *	9/1990	Sanders	119/61.53
4,966,099	A *	10/1990	Arney	119/61.53
5,000,123	A *	3/1991	Morse et al.	119/61.54
D329,681	S *	9/1992	Demarest et al.	D22/122
5,148,626	A *	9/1992	Haake, Sr.	43/121
5,165,365	A *	11/1992	Thompson	119/61.53
5,224,443	A *	7/1993	Leslie	
5,253,609	A *	10/1993	Partelow et al.	119/61.53
5,285,749	A *	2/1994	Byer	119/61.53
5,526,773	A *	6/1996	Richardson	119/51.5
D378,149	S *	2/1997	Mann	D30/133

(Continued)

Related U.S. Application Data

- (63) Continuation of application No. 13/278,365, filed on Oct. 21, 2011, now abandoned.
- (51) **LOC (10) Cl.** **30-03**
- (52) **U.S. Cl.**
USPC **D30/129**
- (58) **Field of Classification Search**
USPC D30/121, 122, 129-133; 119/61.5, 119/51.01, 61.56, 51.03, 59, 62, 63, 51.5, 119/57.8, 74, 61.54, 61.55; 312/204; 248/151, 188; 108/156, 153.1-157; 220/23.87, 630, 737, 743, 9.4, 495.01, 220/574, 212, 255, 23.83; 206/515; D7/586, 543, 550.1, 587, 505, 584, D7/545, 500, 553.1-553.8, 546, 555, 556, D7/504, 565, 562, 602; D9/429; 43/109; D22/122; 99/430, DIG. 15
See application file for complete search history.

Primary Examiner — Susan Moon Lee

(74) *Attorney, Agent, or Firm* — Robert C. Montgomery; Montgomery Patent & Design

(57) **CLAIM**

The ornamental design for an anchored outdoor pet dish, as shown and described.

DESCRIPTION

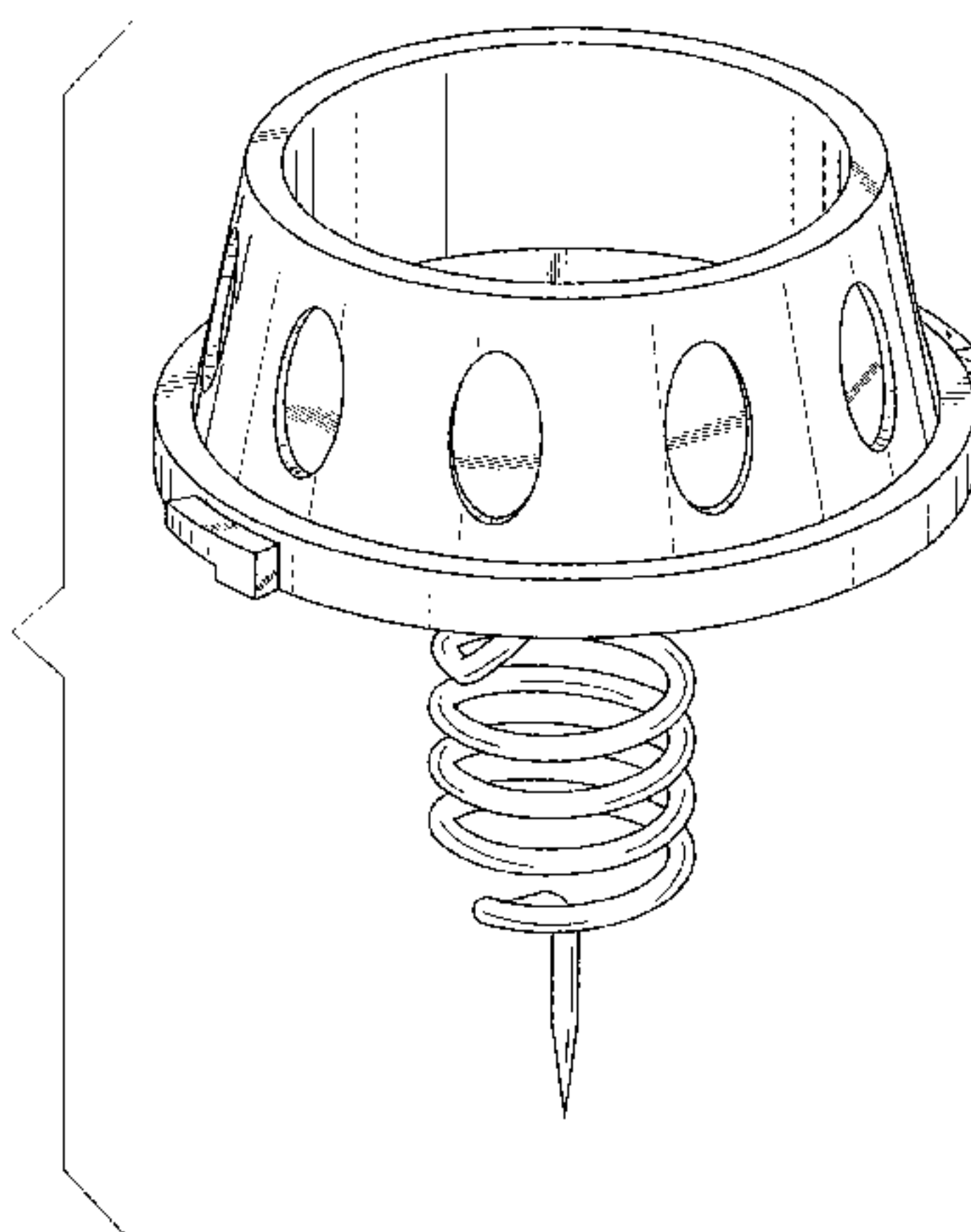
FIG. 1 is a perspective view of an anchored outdoor pet dish showing a dish portion and a base portion in assembly;
 FIG. 2 is a top perspective view of the dish portion;
 FIG. 3 is a bottom-front perspective view thereof;
 FIG. 4 is a bottom-rear perspective view thereof;
 FIG. 5 is a front view thereof;
 FIG. 6 is a rear view thereof;
 FIG. 7 is a left-hand side view thereof;
 FIG. 8 is a right-hand side view thereof;
 FIG. 9 is a top view thereof;
 FIG. 10 is a bottom view thereof;
 FIG. 11 is a perspective view of the base portion;
 FIG. 12 is a front view thereof;
 FIG. 13 is a rear view thereof;
 FIG. 14 is a left-hand side view thereof;
 FIG. 15 is a right-hand side view thereof;
 FIG. 16 is a top view thereof; and,
 FIG. 17 is a bottom view thereof.

(56) **References Cited**

U.S. PATENT DOCUMENTS

2,484,263	A *	10/1949	Atkinson	119/61.57
2,542,400	A *	2/1951	Donofrio	248/362
2,623,369	A *	12/1952	Haydu	248/362
2,772,660	A *	12/1956	Saul	119/61.54
2,908,250	A *	10/1959	Aniser	119/51.03
3,202,131	A *	8/1965	Jones	119/61.54
3,441,003	A *	4/1969	Lister et al.	119/61.53
4,546,730	A	10/1985	Holland	

1 Claim, 17 Drawing Sheets



(56)

References Cited

U.S. PATENT DOCUMENTS

5,628,276 A 5/1997 Raposa
 5,641,140 A * 6/1997 Sorenson 248/205.3
 5,758,598 A * 6/1998 Rothert 119/61.54
 5,857,427 A * 1/1999 Kelley 119/61.56
 5,881,671 A * 3/1999 Riedl 119/61.53
 D429,388 S * 8/2000 Irving D30/129
 6,125,790 A * 10/2000 Breedwell 119/51.5
 6,149,119 A * 11/2000 O'Connell 248/545
 6,167,840 B1 * 1/2001 White et al. 119/61.53
 6,230,653 B1 * 5/2001 Tobin 119/72
 D446,361 S * 8/2001 Elliott D30/129
 6,401,656 B1 * 6/2002 Adkisson 119/51.01
 6,581,541 B2 * 6/2003 Hollinger 119/61.54
 7,234,417 B2 * 6/2007 Laird 119/61.57

7,930,994 B2 * 4/2011 Stone et al. 119/52.1
 8,001,931 B2 * 8/2011 Deese et al. 119/61.57
 D700,752 S * 3/2014 Gilkey et al. D30/133
 8,800,493 B2 * 8/2014 Harding 119/61.57
 2004/0177815 A1 * 9/2004 Sage, Jr. 119/61.3
 2004/0231607 A1 * 11/2004 Hollinger 119/61.54
 2006/0231037 A1 * 10/2006 Gross 119/52.1
 2006/0249089 A1 * 11/2006 Behunin 119/61.57
 2008/0011236 A1 * 1/2008 Paez 119/61.53
 2008/0072829 A1 * 3/2008 Kerrigan et al. 119/61.5
 2009/0255475 A1 * 10/2009 Black 119/53
 2010/0077963 A1 * 4/2010 Lipscomb et al. 119/54
 2010/0170447 A1 * 7/2010 Pridgen, Jr. 119/61.53
 2010/0242847 A1 * 9/2010 Gray 119/61.54
 2011/0041772 A1 * 2/2011 Hargrove 119/61.57
 2011/0253054 A1 * 10/2011 Hargrove 119/61.54
 2014/0190419 A1 * 7/2014 Harding 119/51.5

* cited by examiner

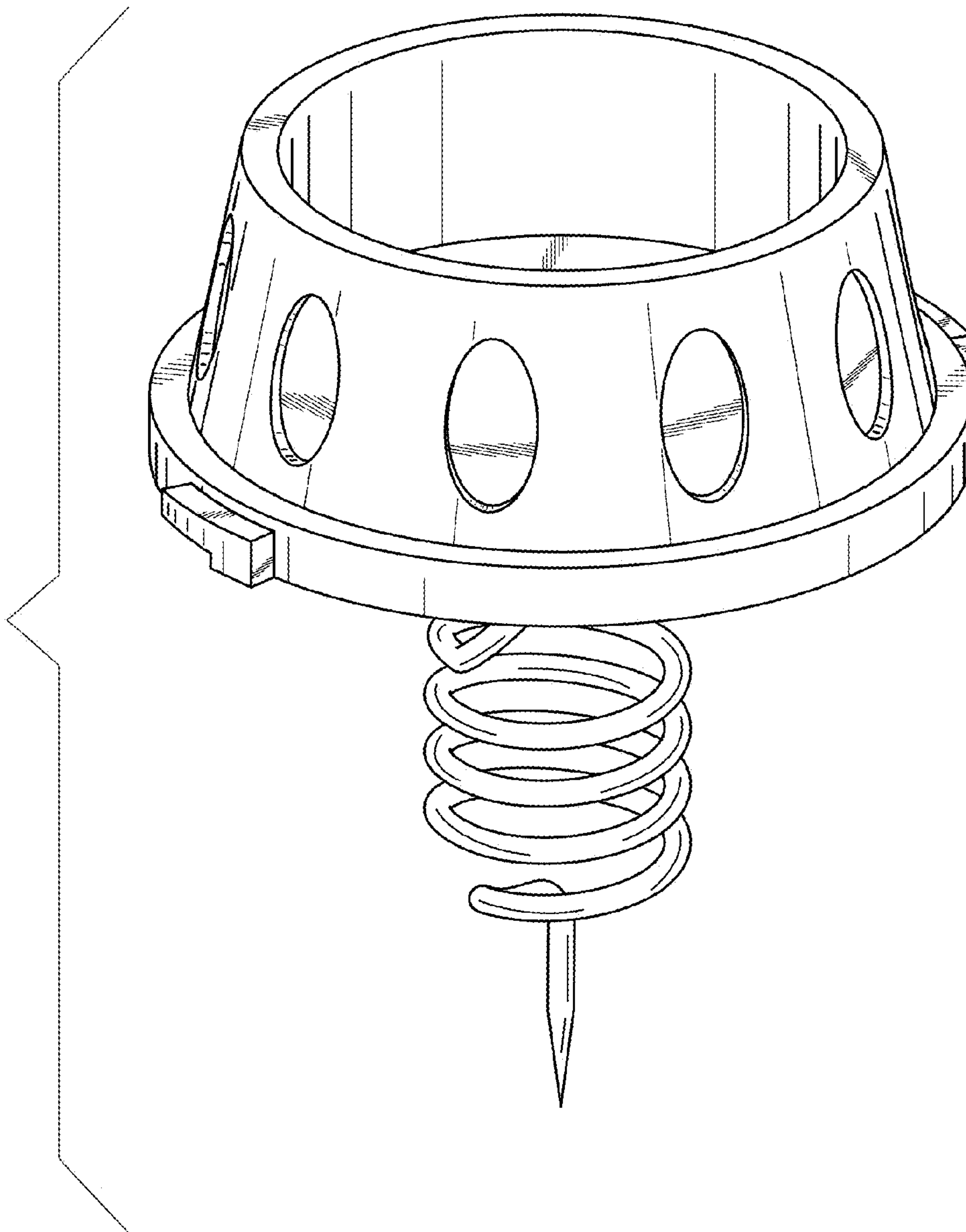


Fig. 1

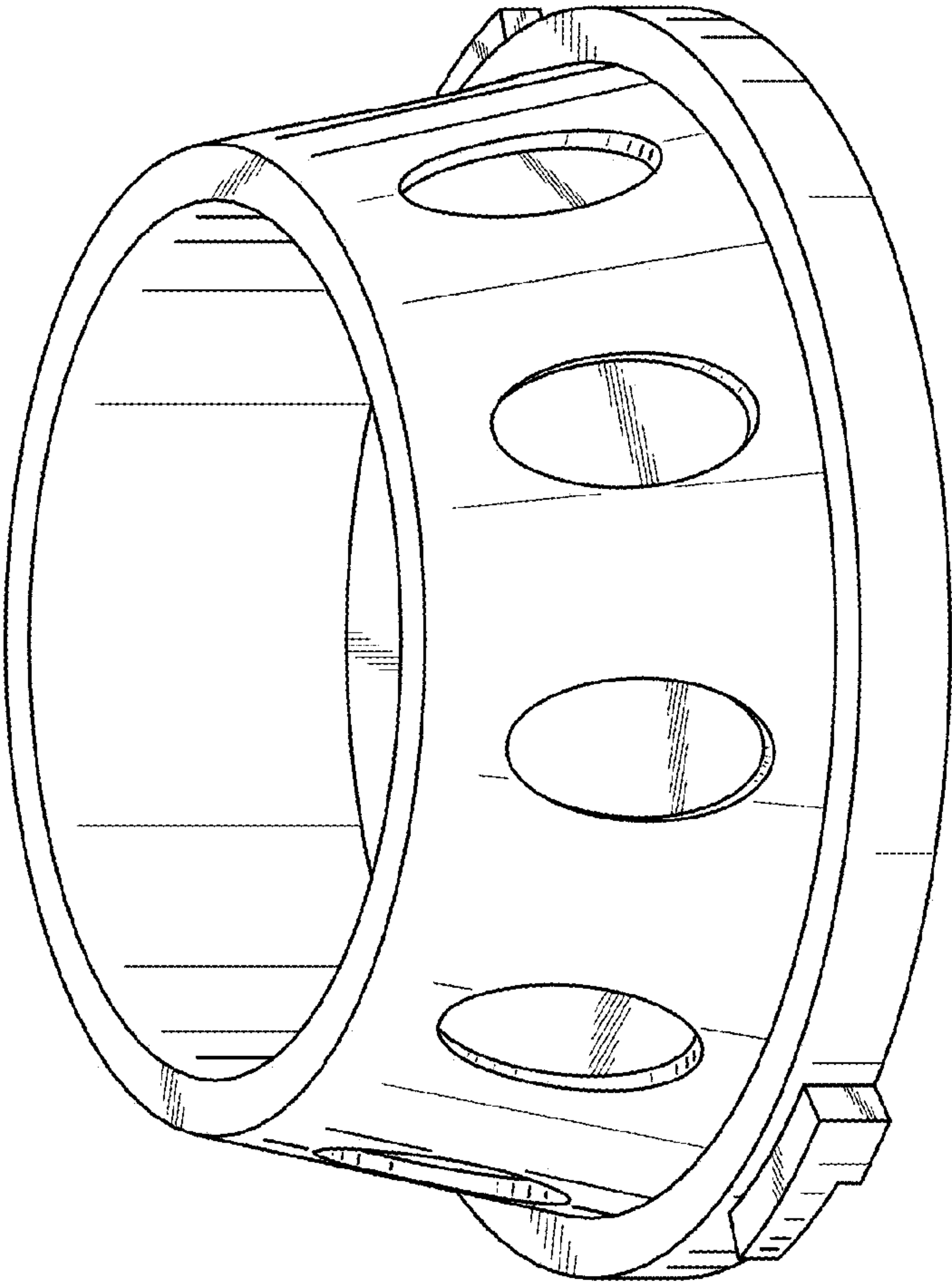


Fig. 2

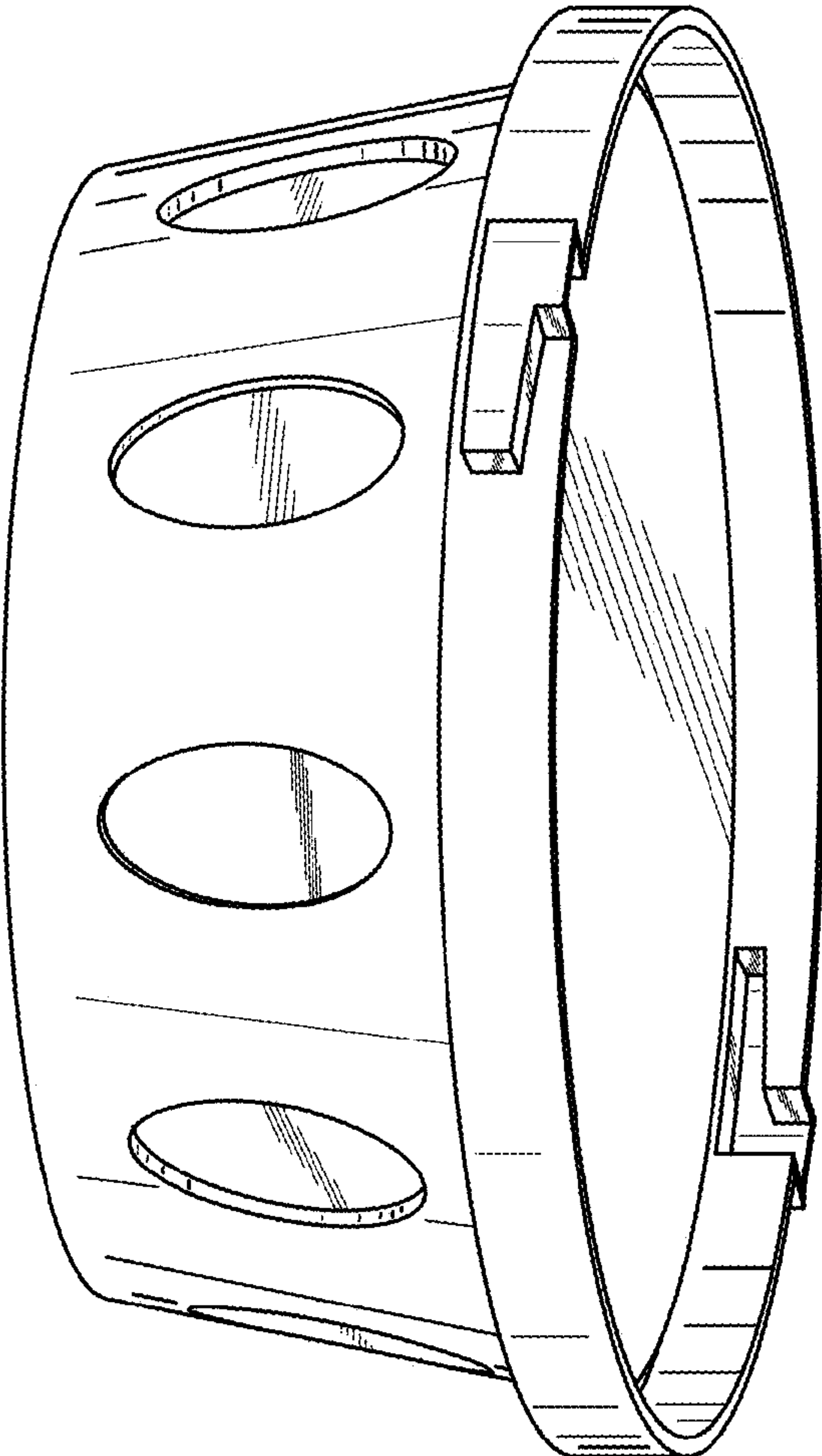


Fig. 3

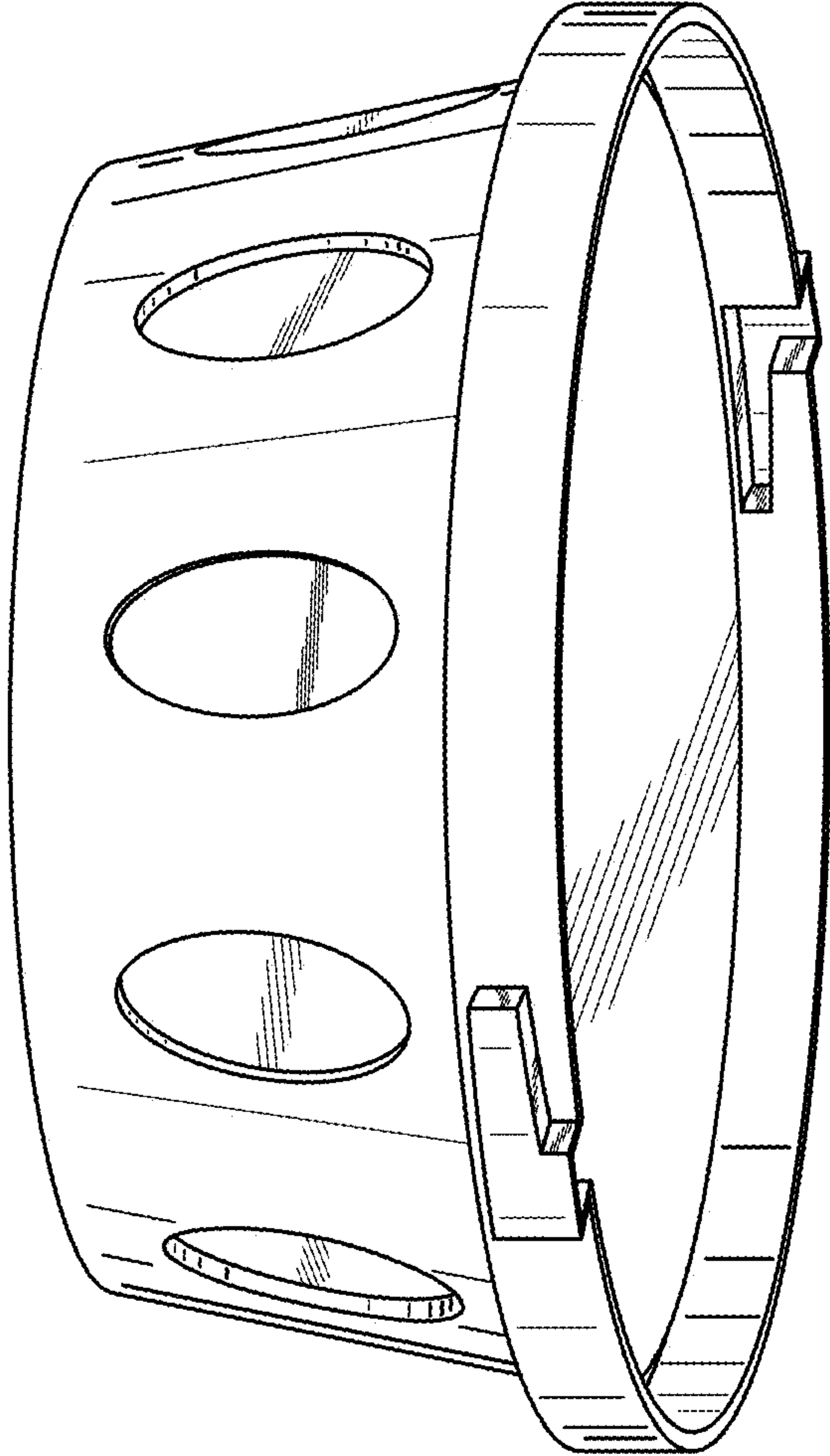


Fig. 4

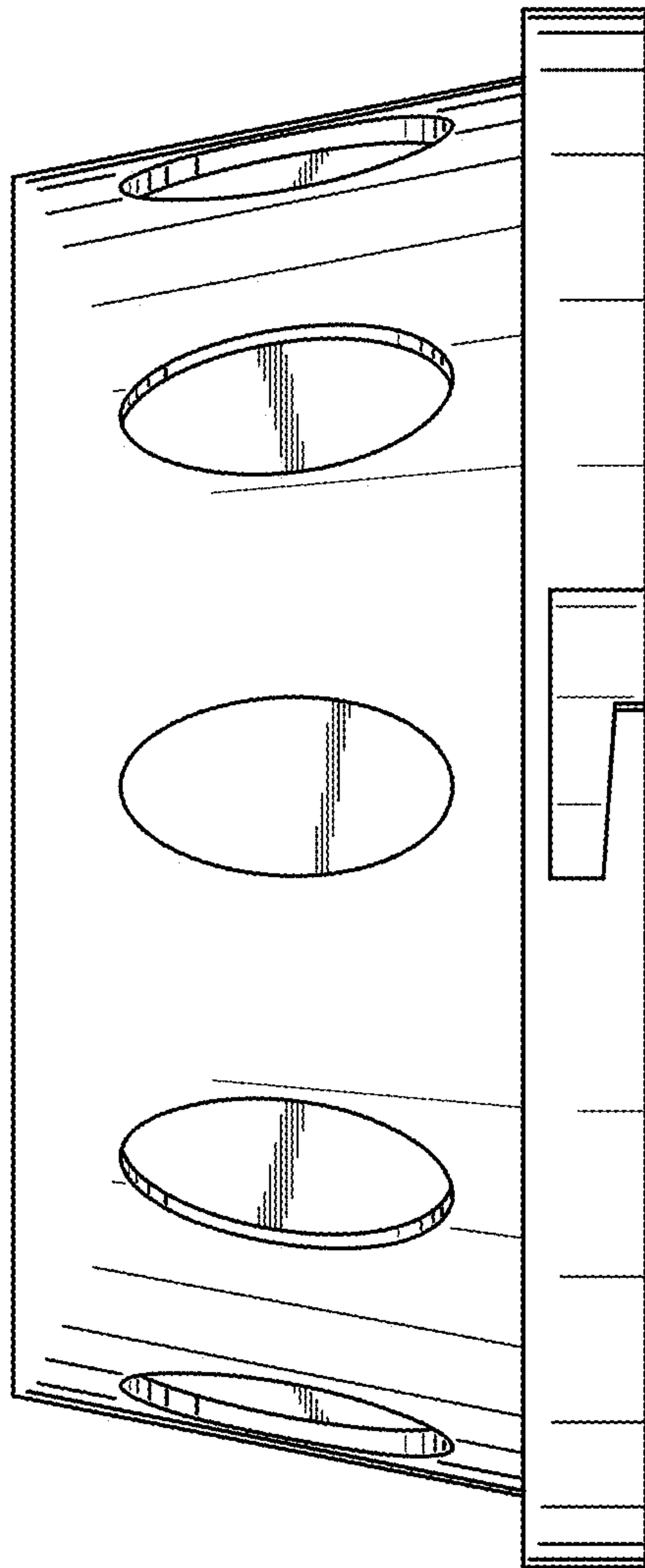


Fig. 5

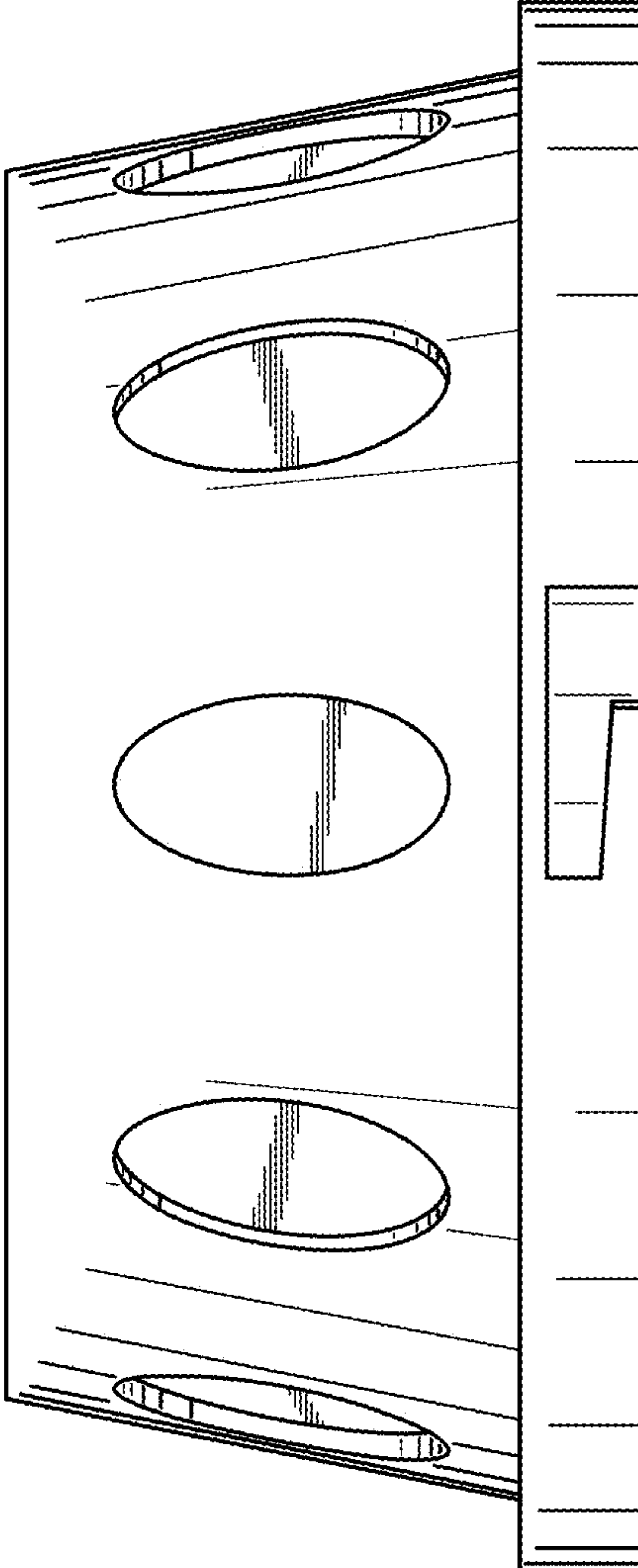


Fig. 6

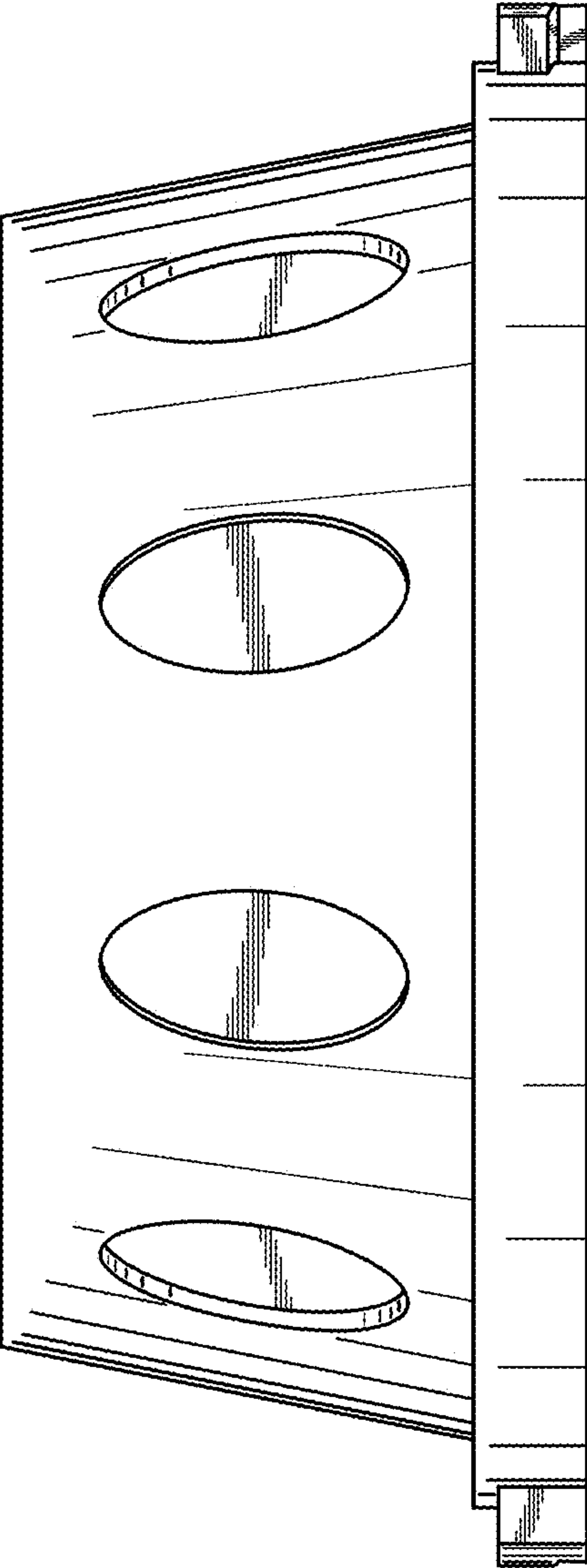


Fig. 7

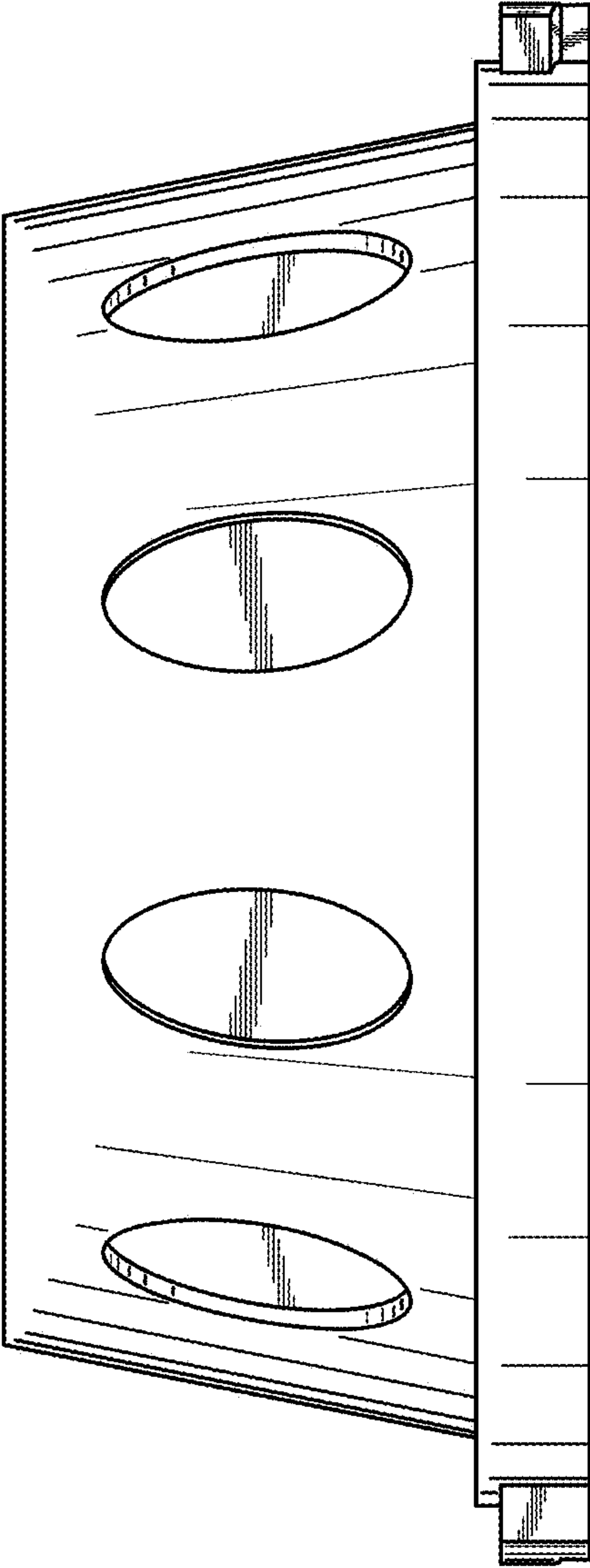


Fig. 8

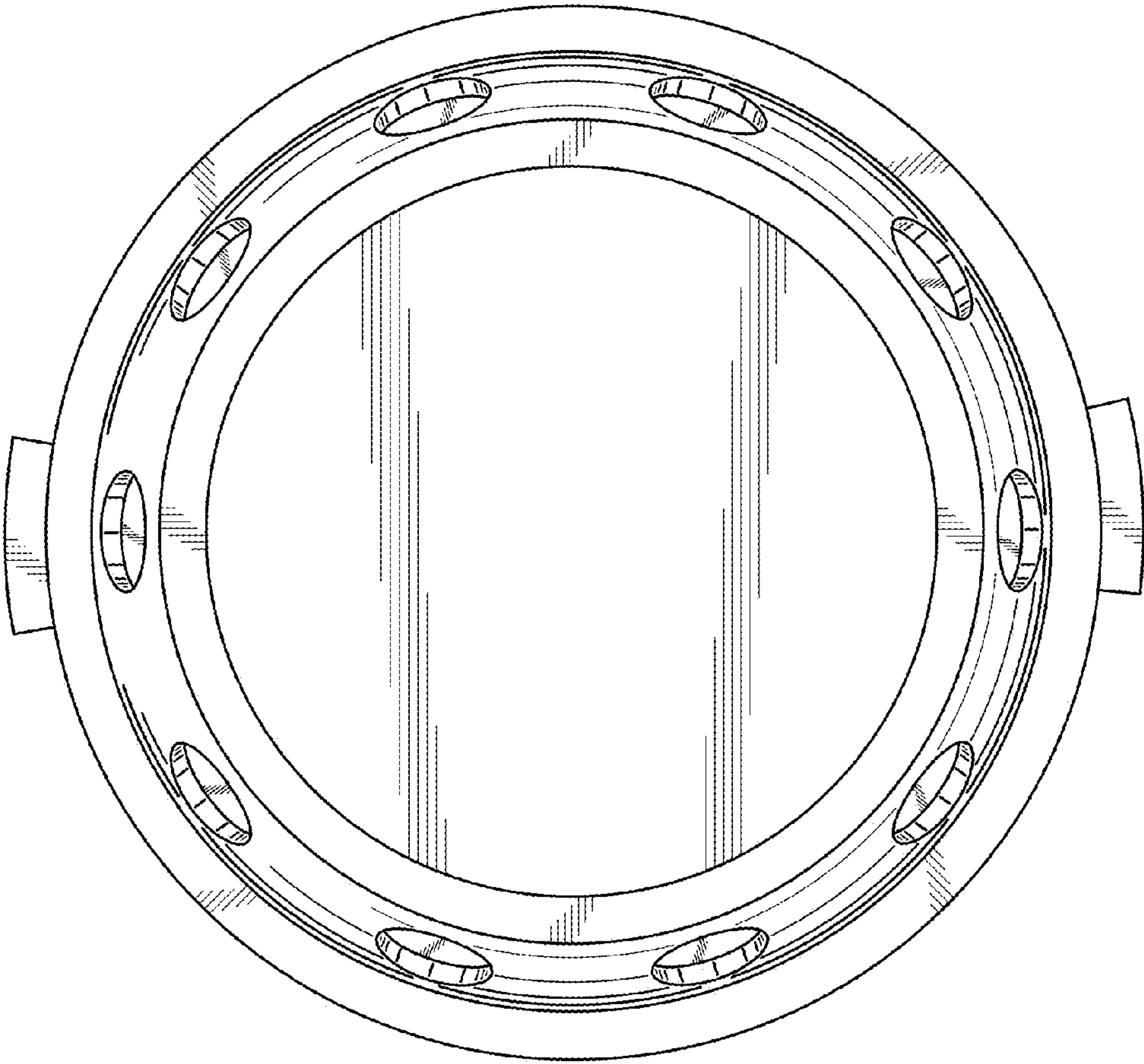


Fig. 9

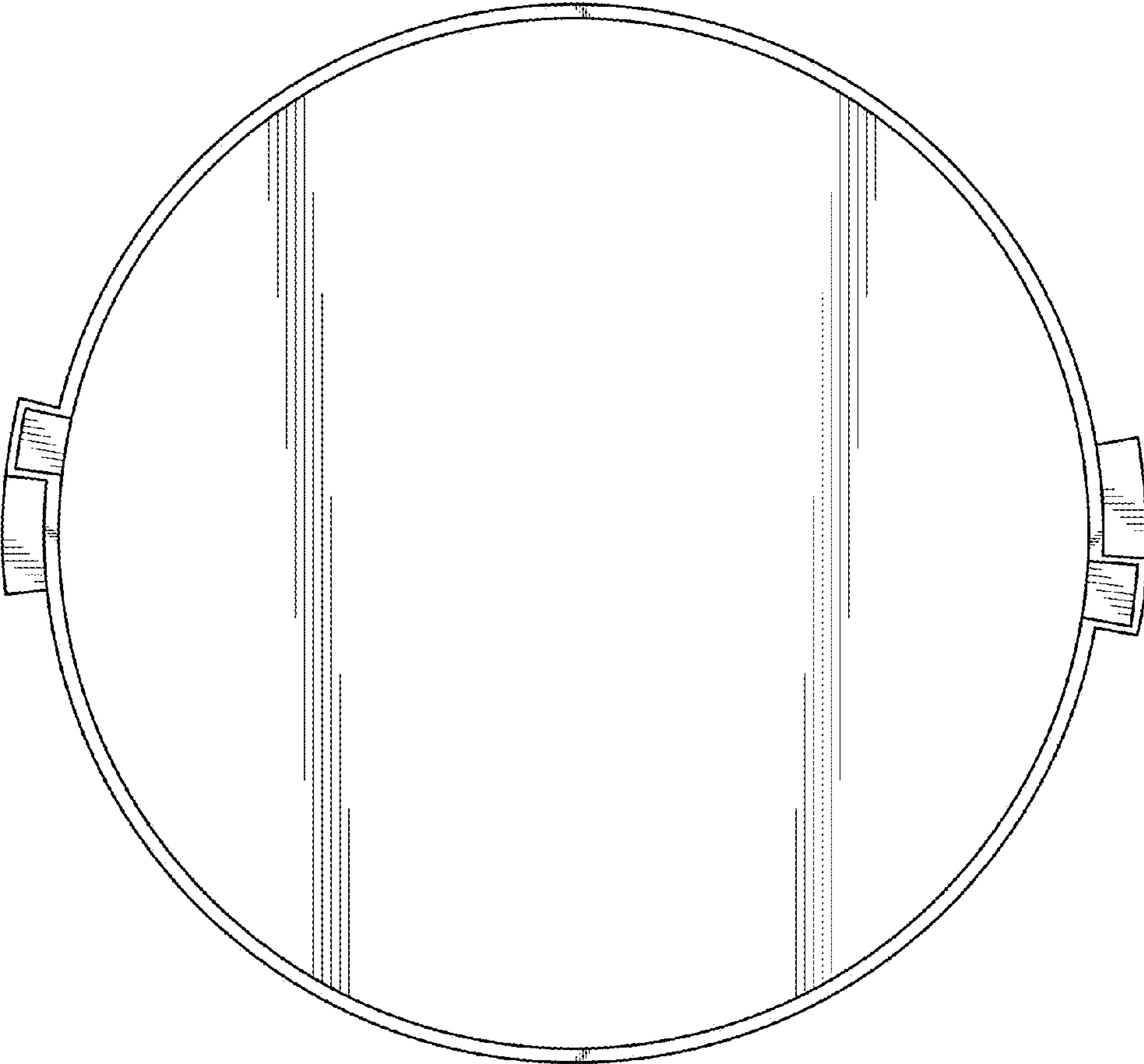


Fig. 10

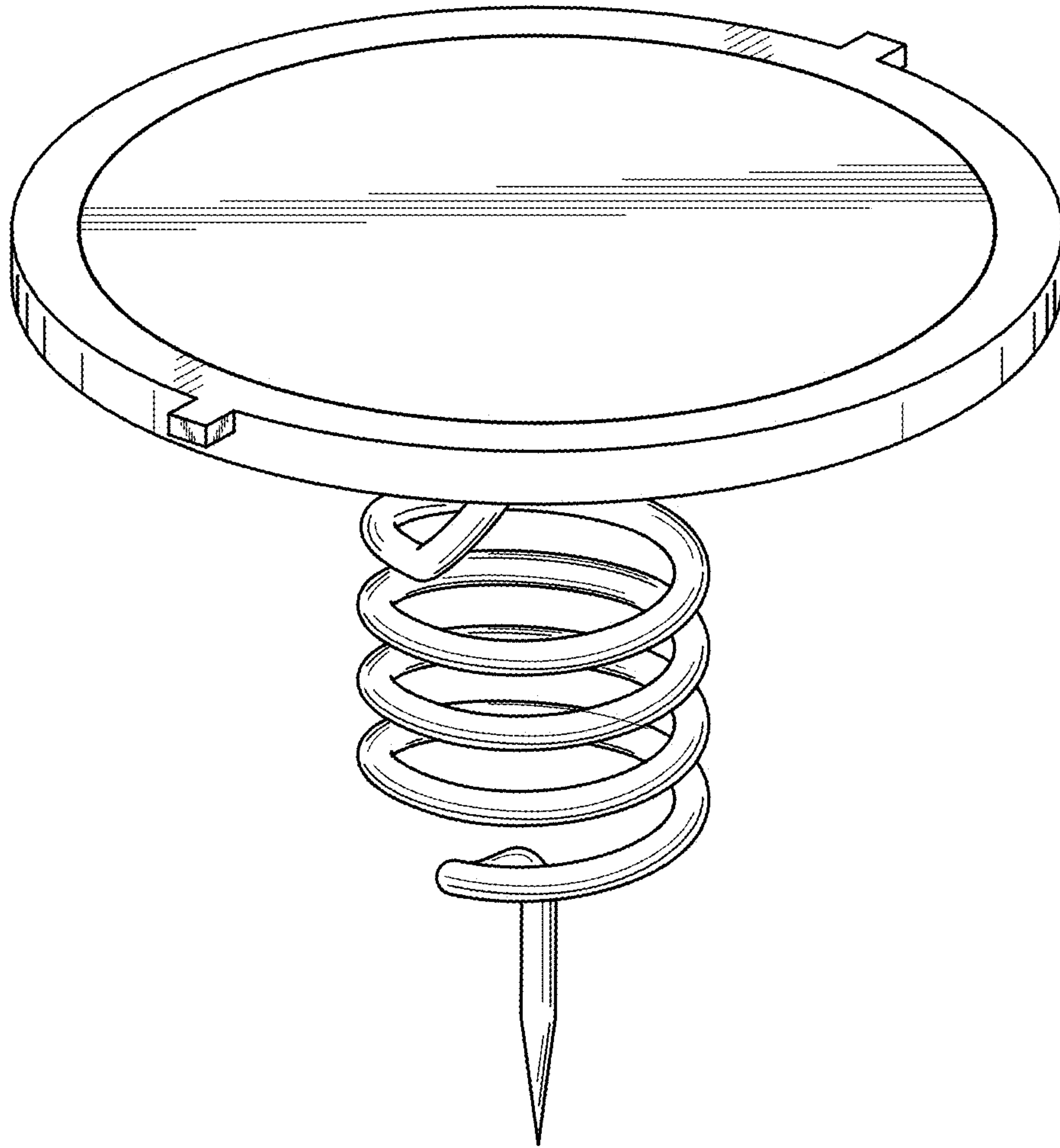


Fig. 11

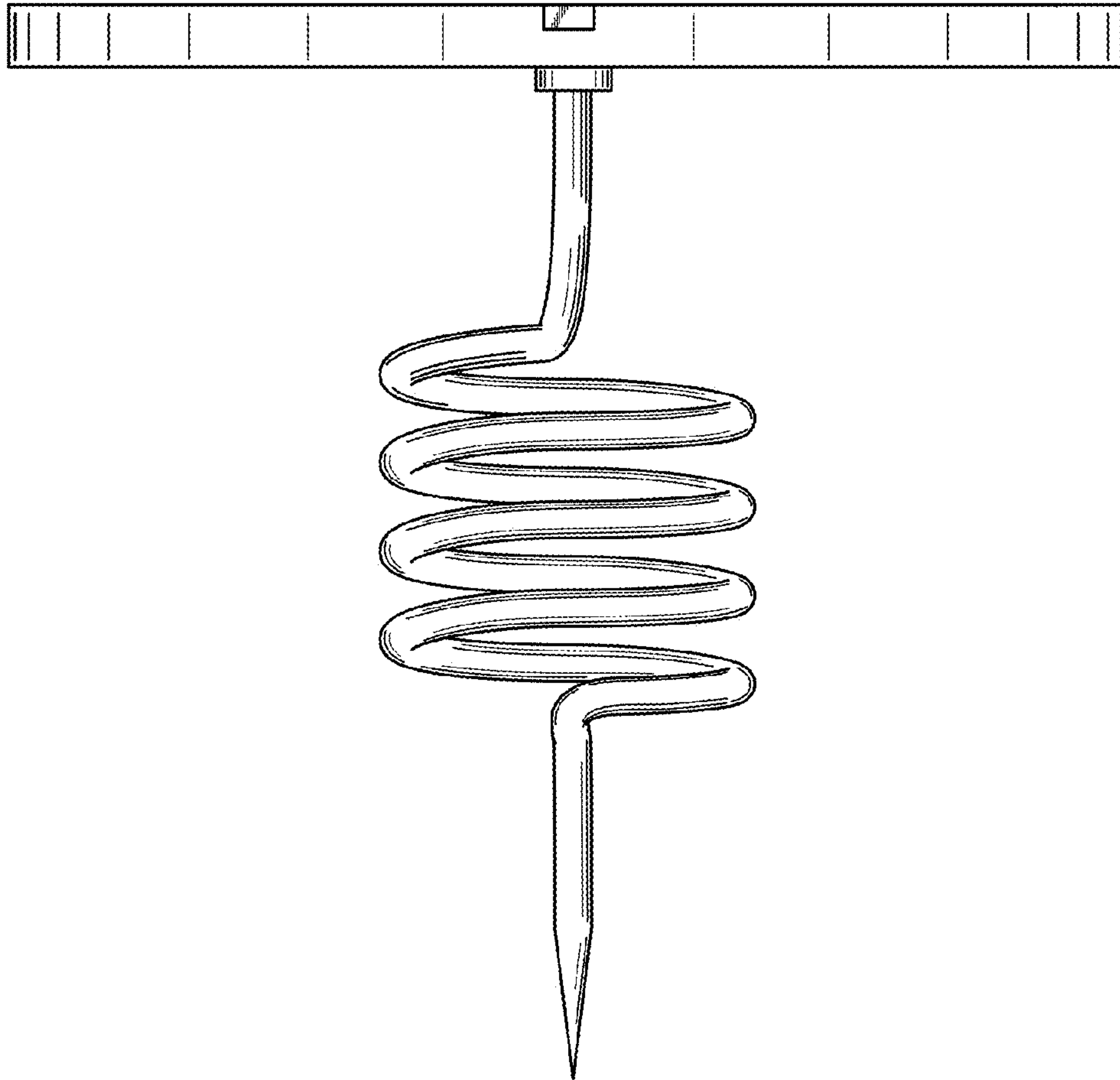


Fig. 12

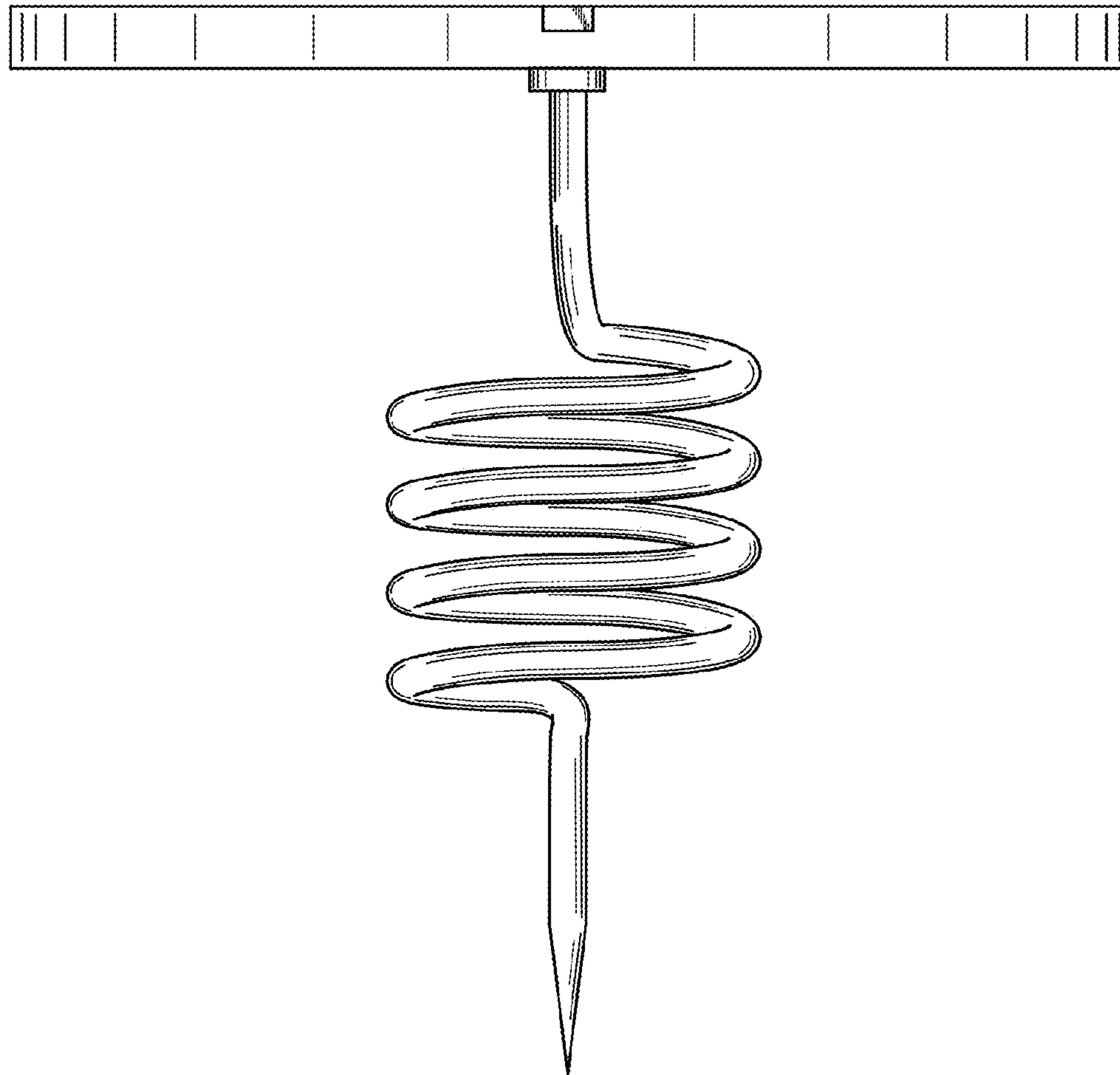


Fig. 13

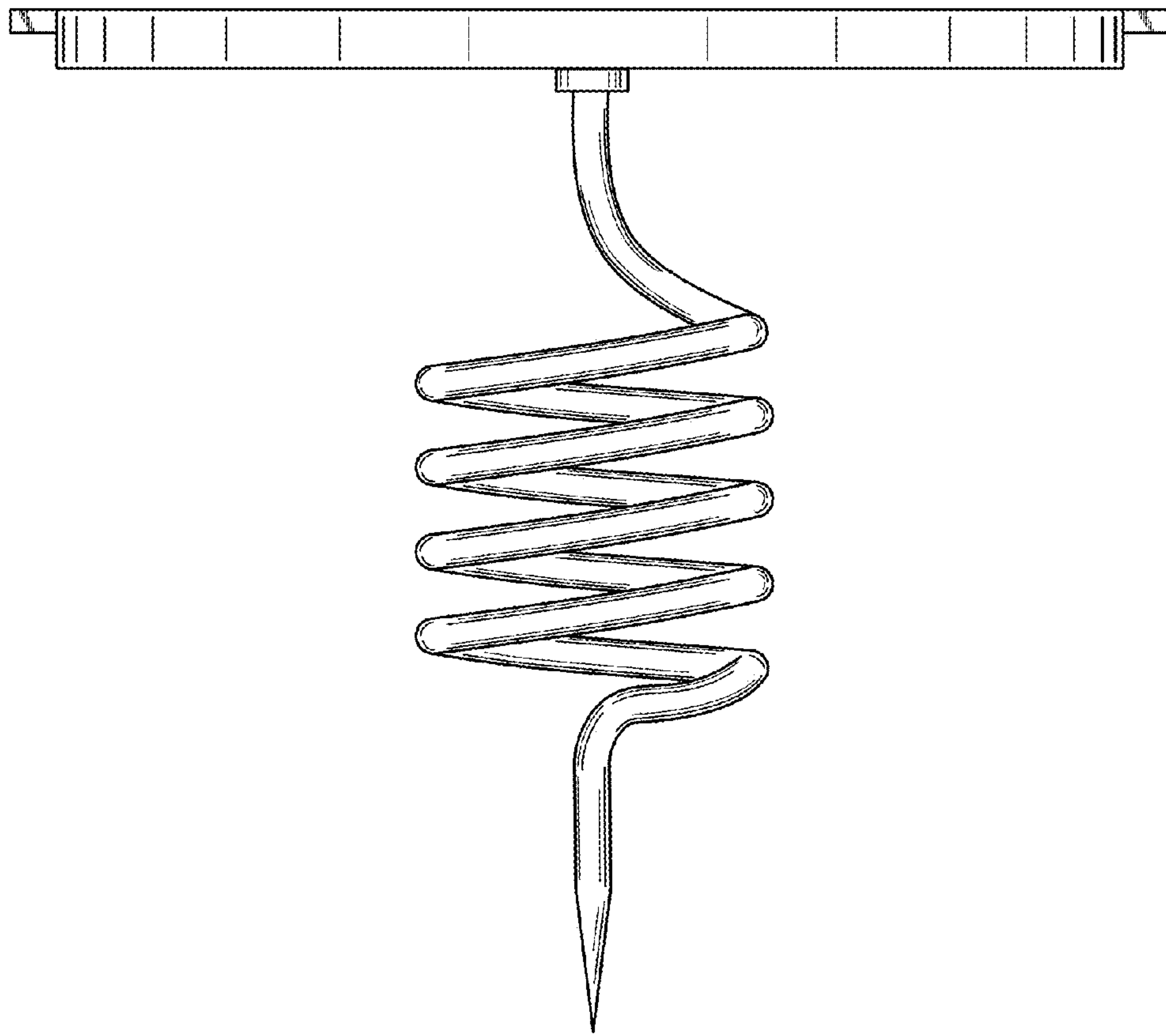


Fig. 14

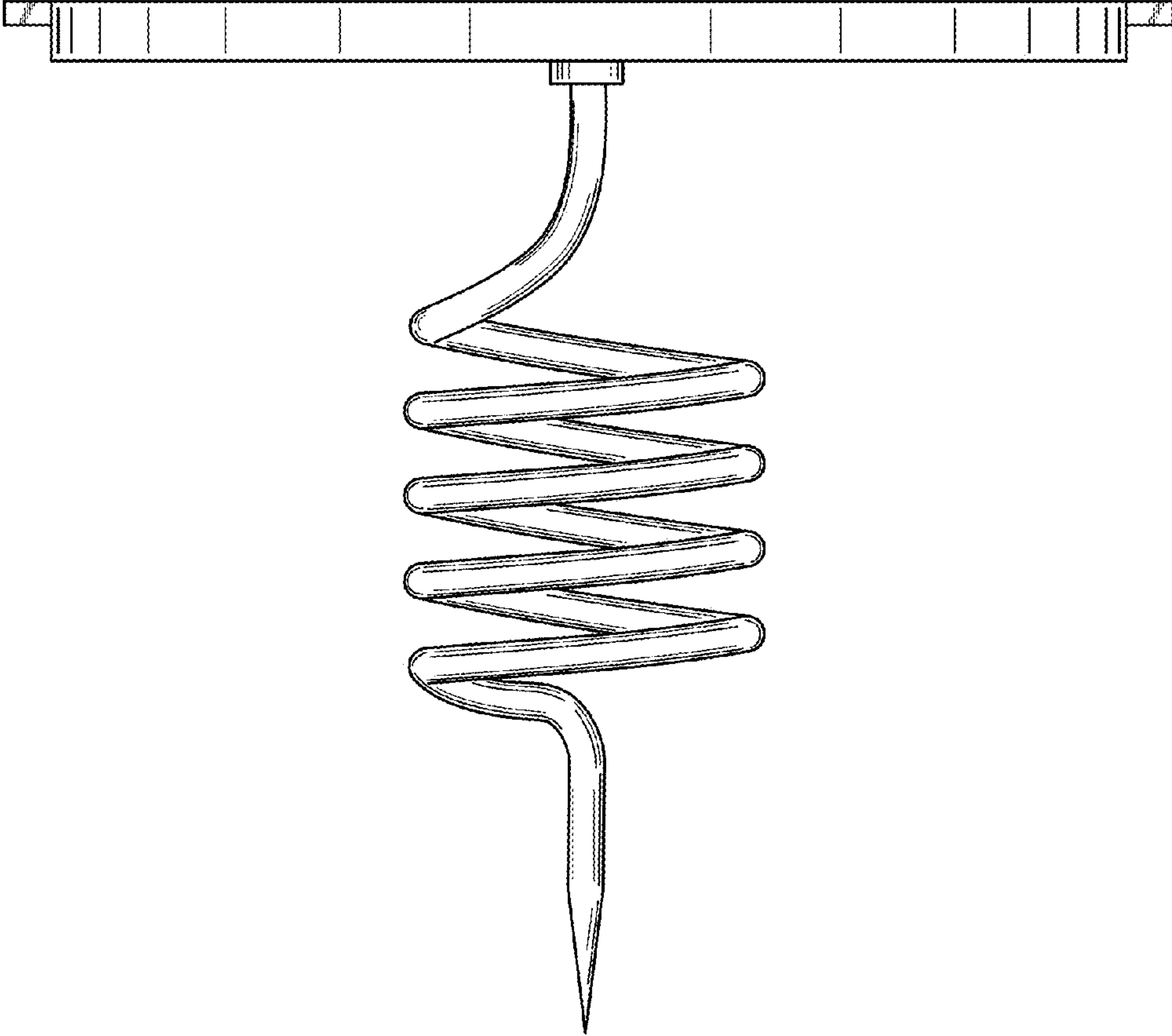


Fig. 15

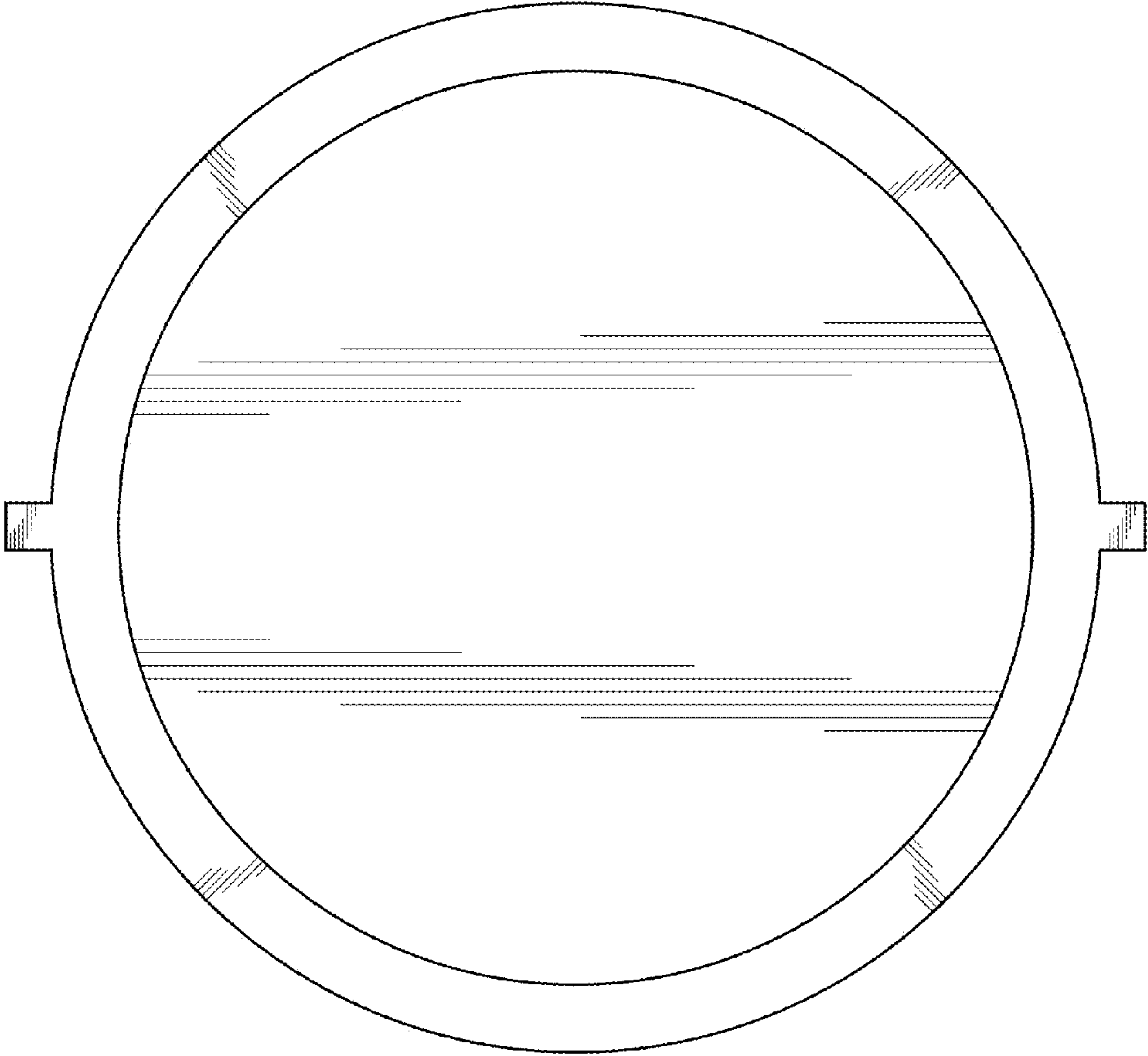


Fig. 16

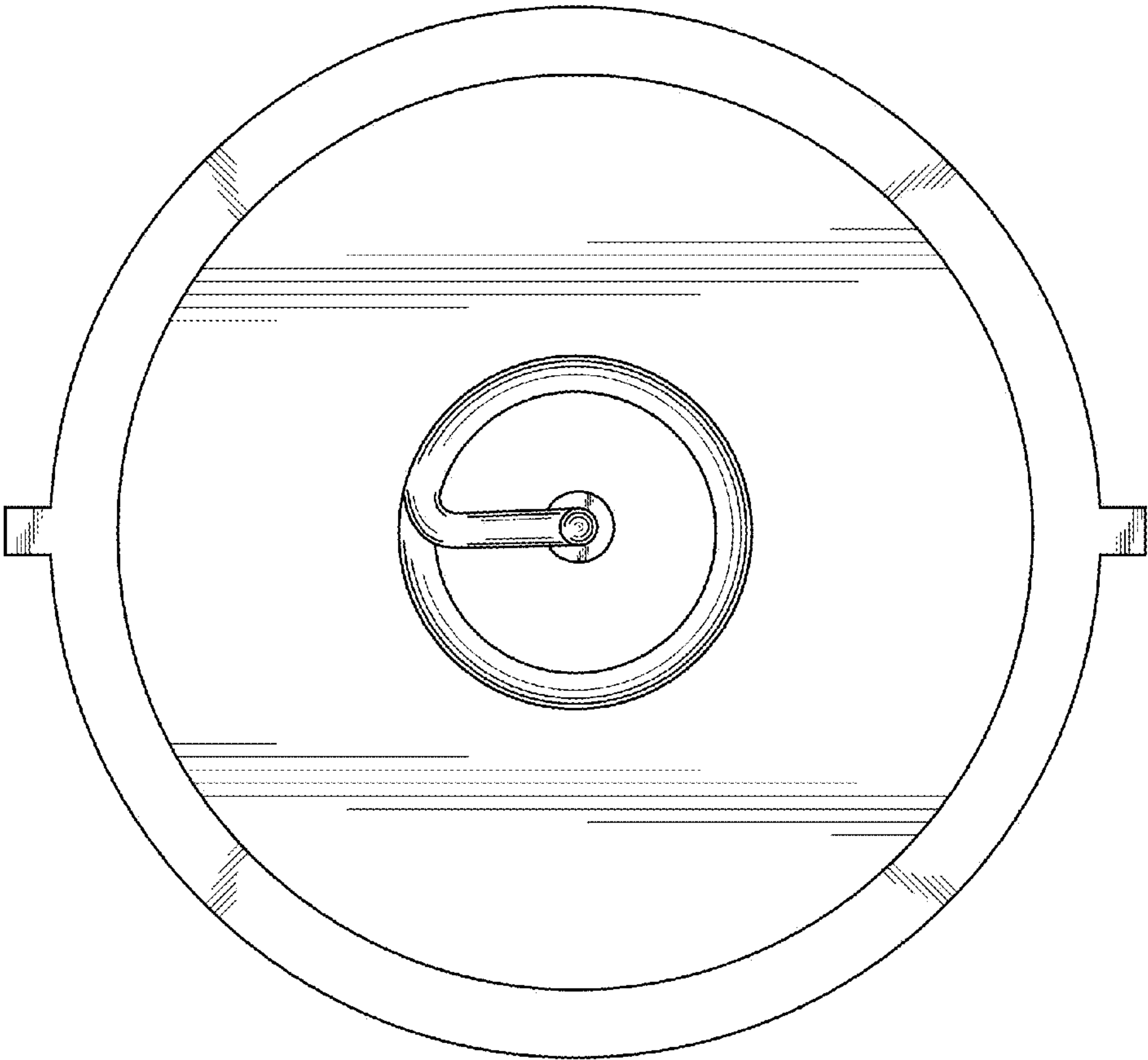


Fig. 17