



US00D721859S

(12) **United States Design Patent**  
**Mihlbauer**

(10) **Patent No.:** **US D721,859 S**

(45) **Date of Patent:** **\*\* Jan. 27, 2015**

- (54) **INTERLOCKING PUZZLE TANK**
- (71) Applicant: **Central Garden & Pet Company**,  
Walnut Creek, CA (US)
- (72) Inventor: **Brad L. Mihlbauer**, Mukwonago, WI  
(US)
- (73) Assignee: **Central Garden & Pet Company**,  
Walnut Creek, CA (US)

*Primary Examiner* — Wan Laymon  
 (74) *Attorney, Agent, or Firm* — Grossman, Tucker,  
 Perreault & Pfleger, PLLC

(\*\*) Term: **14 Years**

(21) Appl. No.: **29/469,165**

(22) Filed: **Oct. 8, 2013**

(51) **LOC (10) Cl.** ..... **30-02**

(52) **U.S. Cl.**  
USPC ..... **D30/102; D21/479**

(58) **Field of Classification Search**  
USPC ..... D30/101–107; D11/145; D21/478–480;  
D3/270, 271.1; 119/249–248,  
119/253–258, 264–265; 273/153 R,  
273/156–157 R

See application file for complete search history.

(56) **References Cited**

**U.S. PATENT DOCUMENTS**

3,334,798	A *	8/1967	Pezely, Jr. et al.	.....	D21/479
D241,333	S *	9/1976	Wheeler	.....	D30/101
5,409,227	A *	4/1995	Walker	.....	273/157 R
D370,562	S *	6/1996	Arini et al.	.....	D21/479
D553,304	S *	10/2007	Wang	.....	D30/101
8,544,849	B2 *	10/2013	Knell et al.	.....	273/157 R

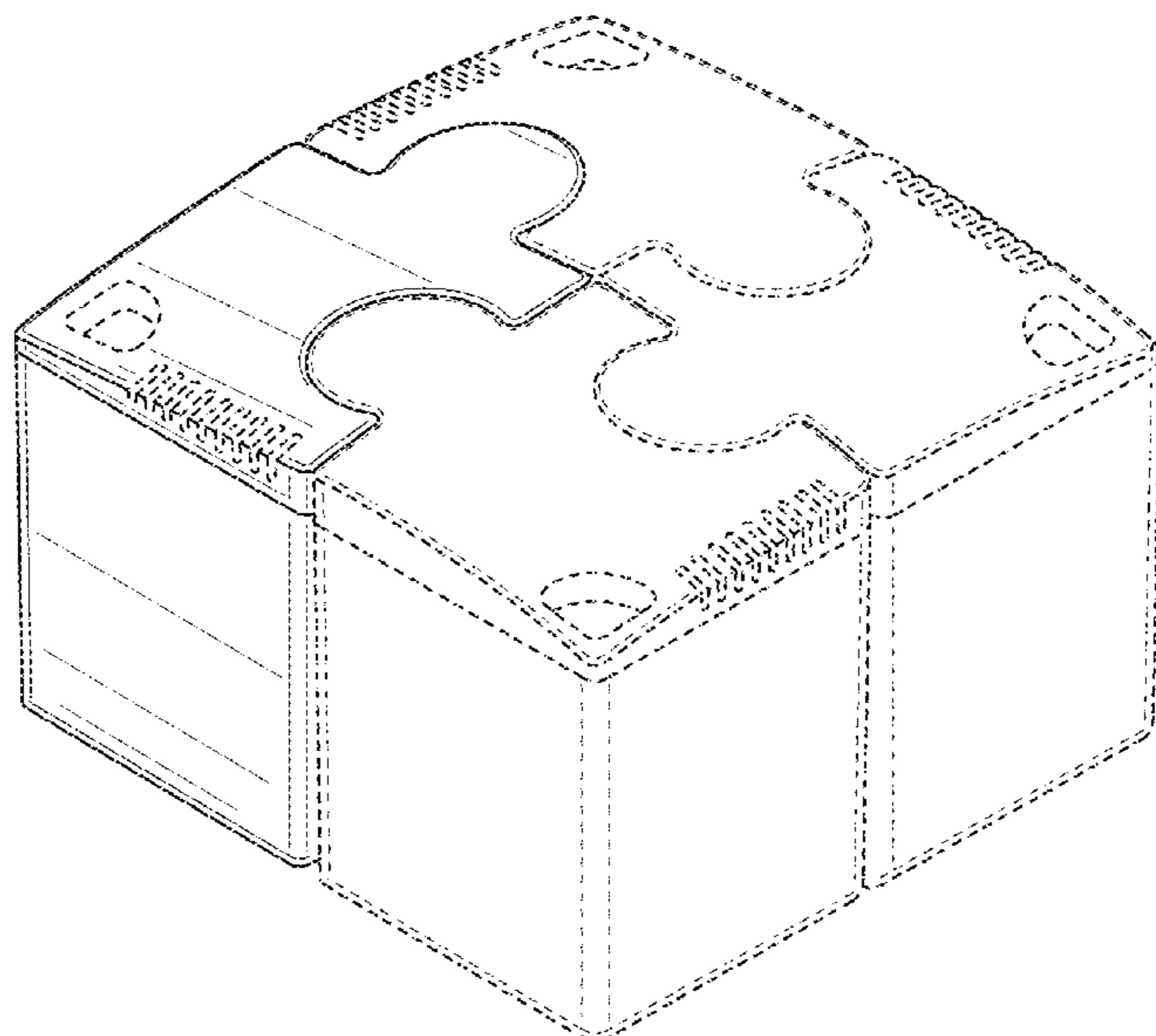
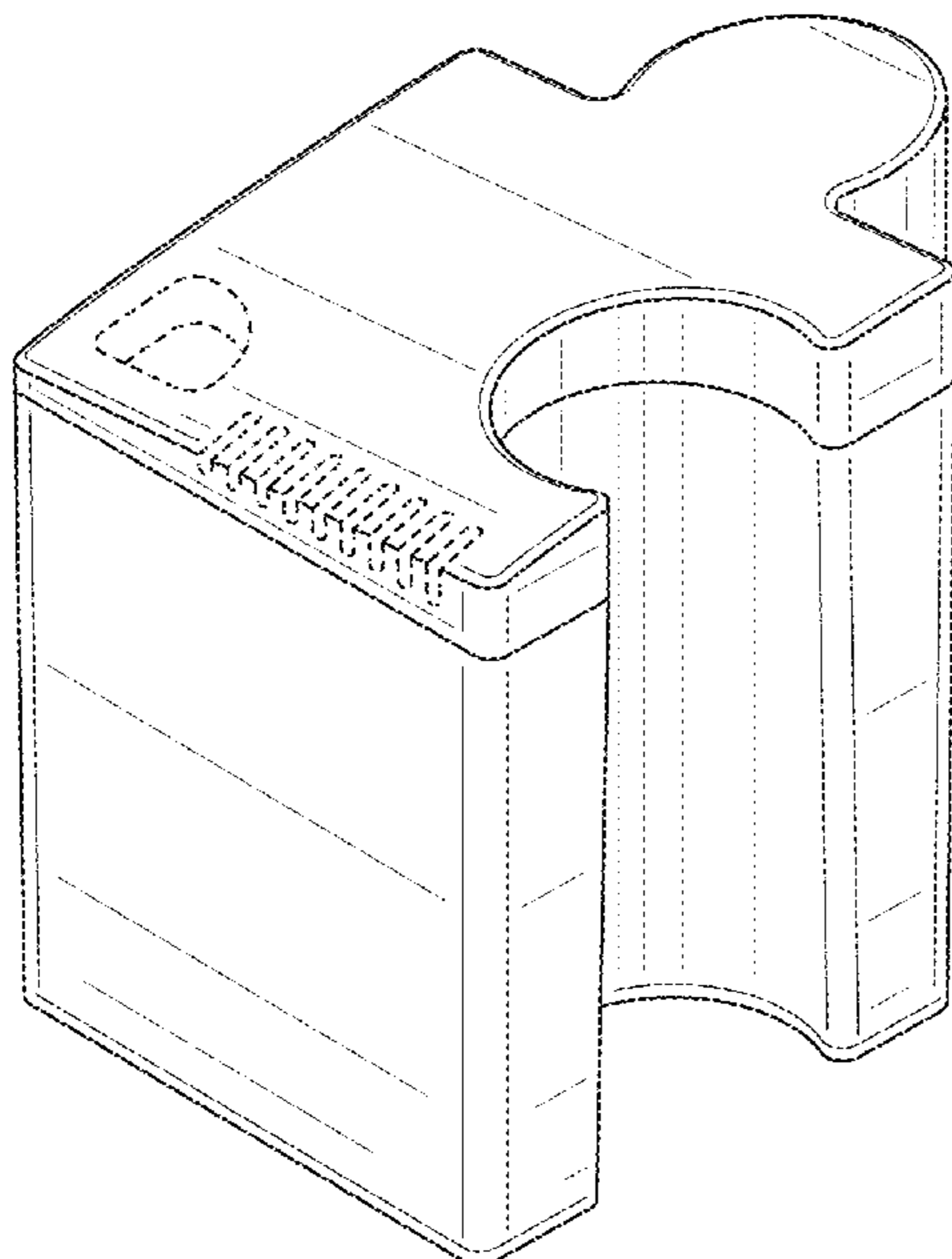
\* cited by examiner

(57) **CLAIM**  
The ornamental design for an interlocking puzzle tank, as shown and described.

**DESCRIPTION**

FIG. 1 is a perspective view of an interlocking puzzle tank of the present invention;  
 FIG. 2 is a front view of the interlocking puzzle tank of FIG. 1;  
 FIG. 3 is a back view of the interlocking puzzle tank of FIG. 1;  
 FIG. 4 is a left side view of the interlocking puzzle tank of FIG. 1;  
 FIG. 5 is a right side view of the interlocking puzzle tank of FIG. 1;  
 FIG. 6 is a top view of the interlocking puzzle tank of FIG. 1;  
 FIG. 7 is a bottom view of the interlocking puzzle tank of FIG. 1;  
 FIG. 8 is a top view of the interlocking puzzle tank of FIG. 1 as assembled with other interlocking puzzle tanks; and,  
 FIG. 9 is a perspective view of the interlocking puzzle tank of FIG. 1 as assembled with other interlocking puzzle tanks.  
 The broken lines shown in the figures represent portions of the interlocking puzzle tank that form no part of the claimed design.

**1 Claim, 9 Drawing Sheets**



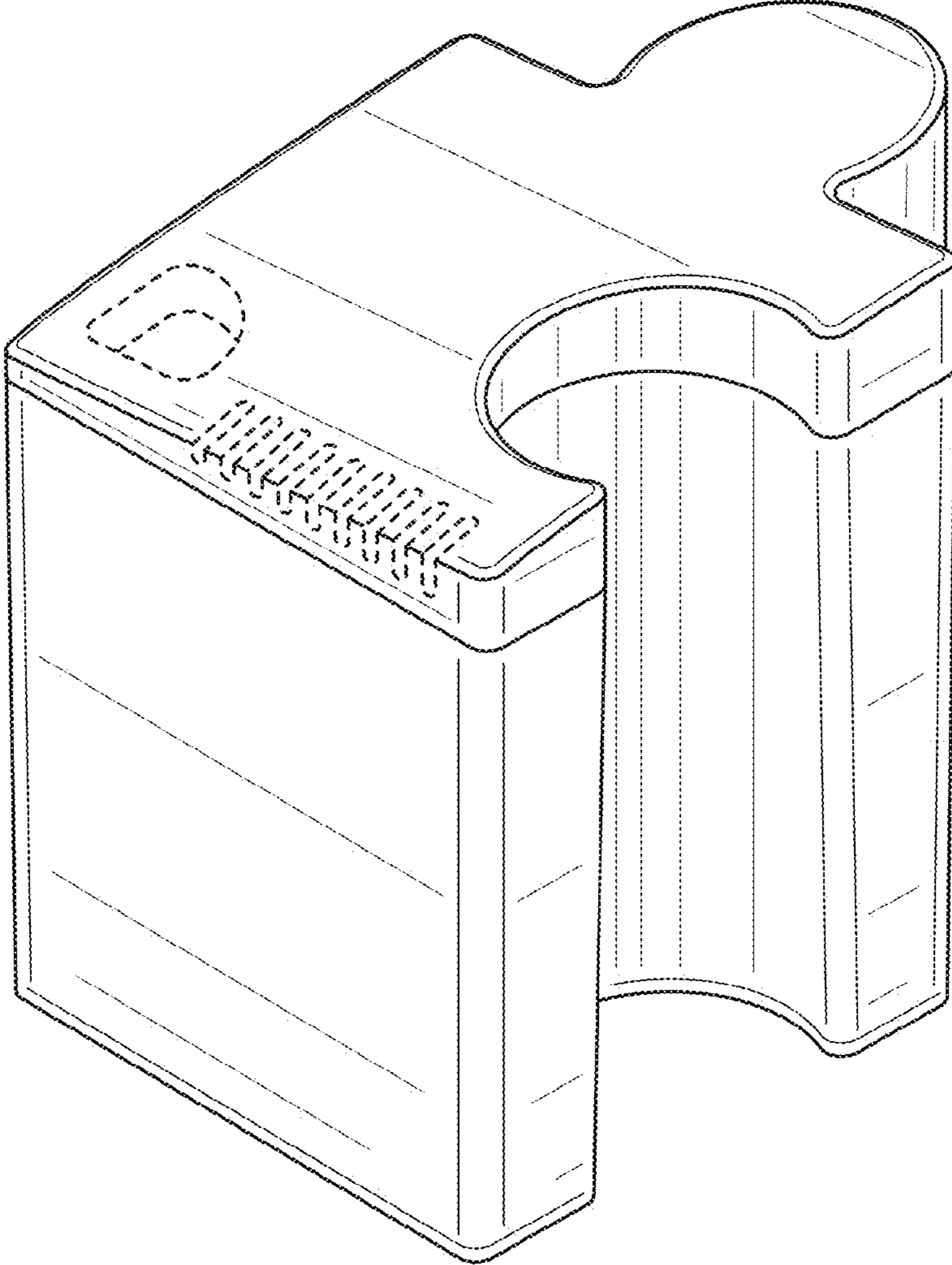


FIG. 1

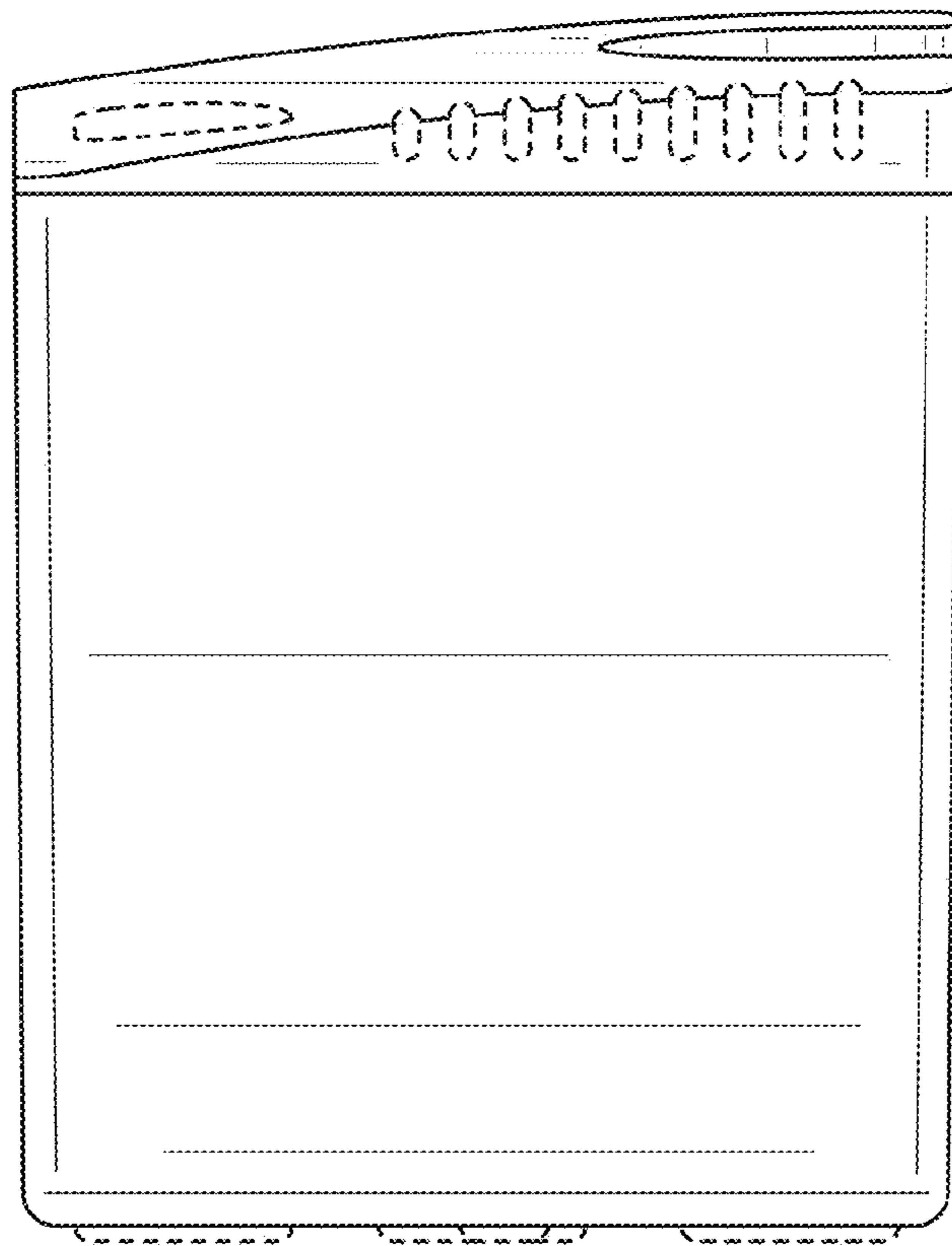


FIG. 2

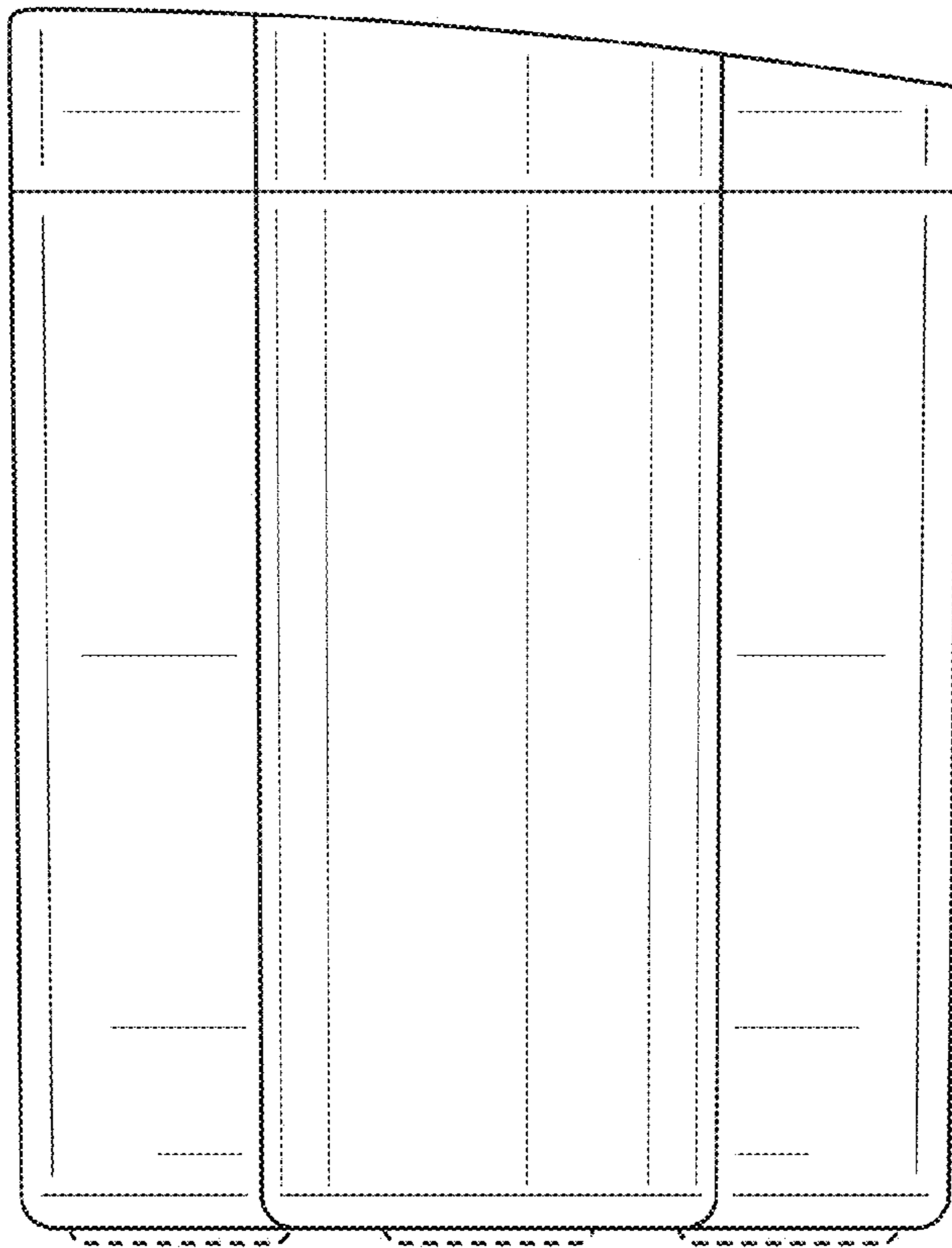


FIG. 3

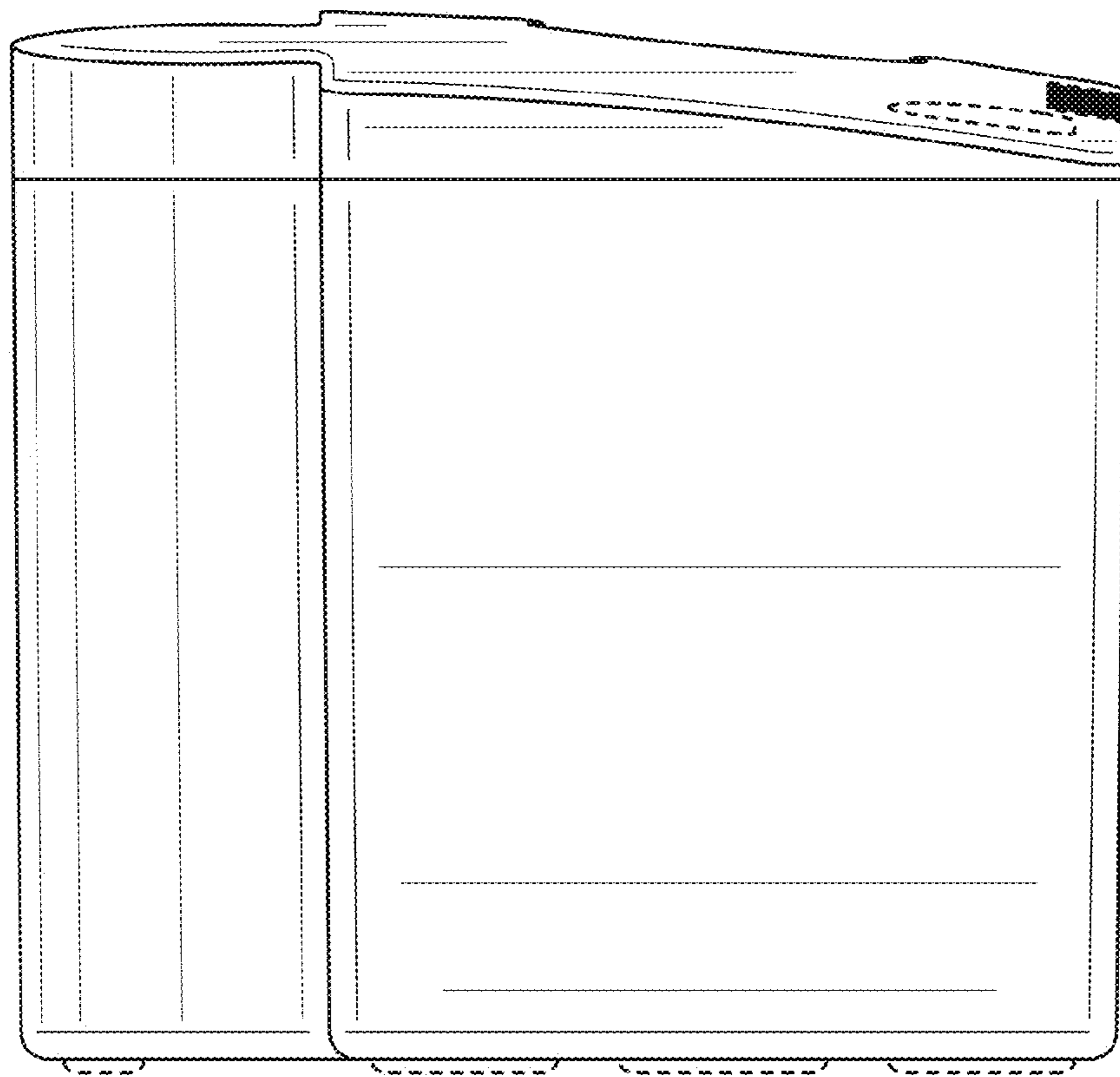


FIG. 4

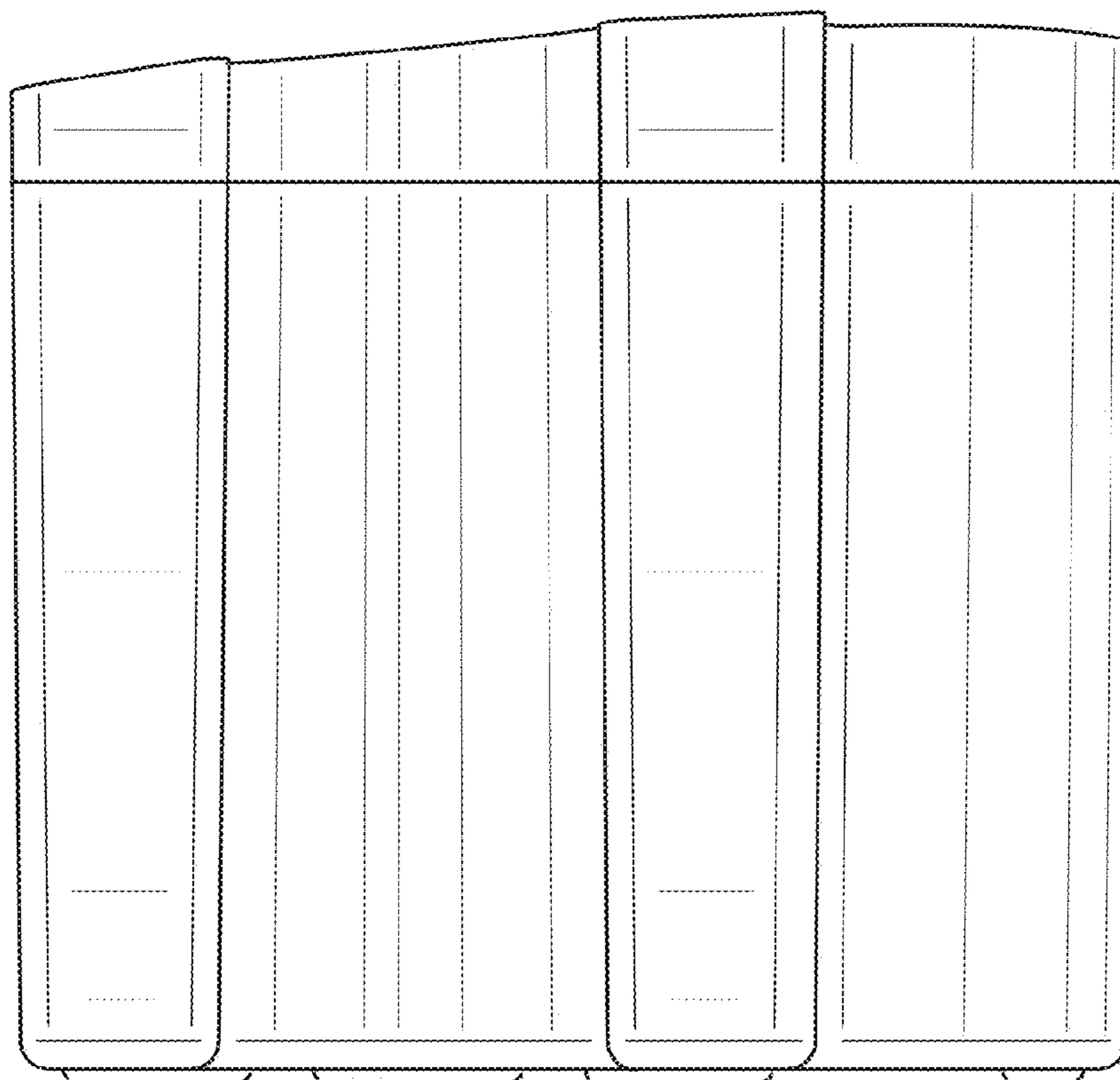


FIG. 5

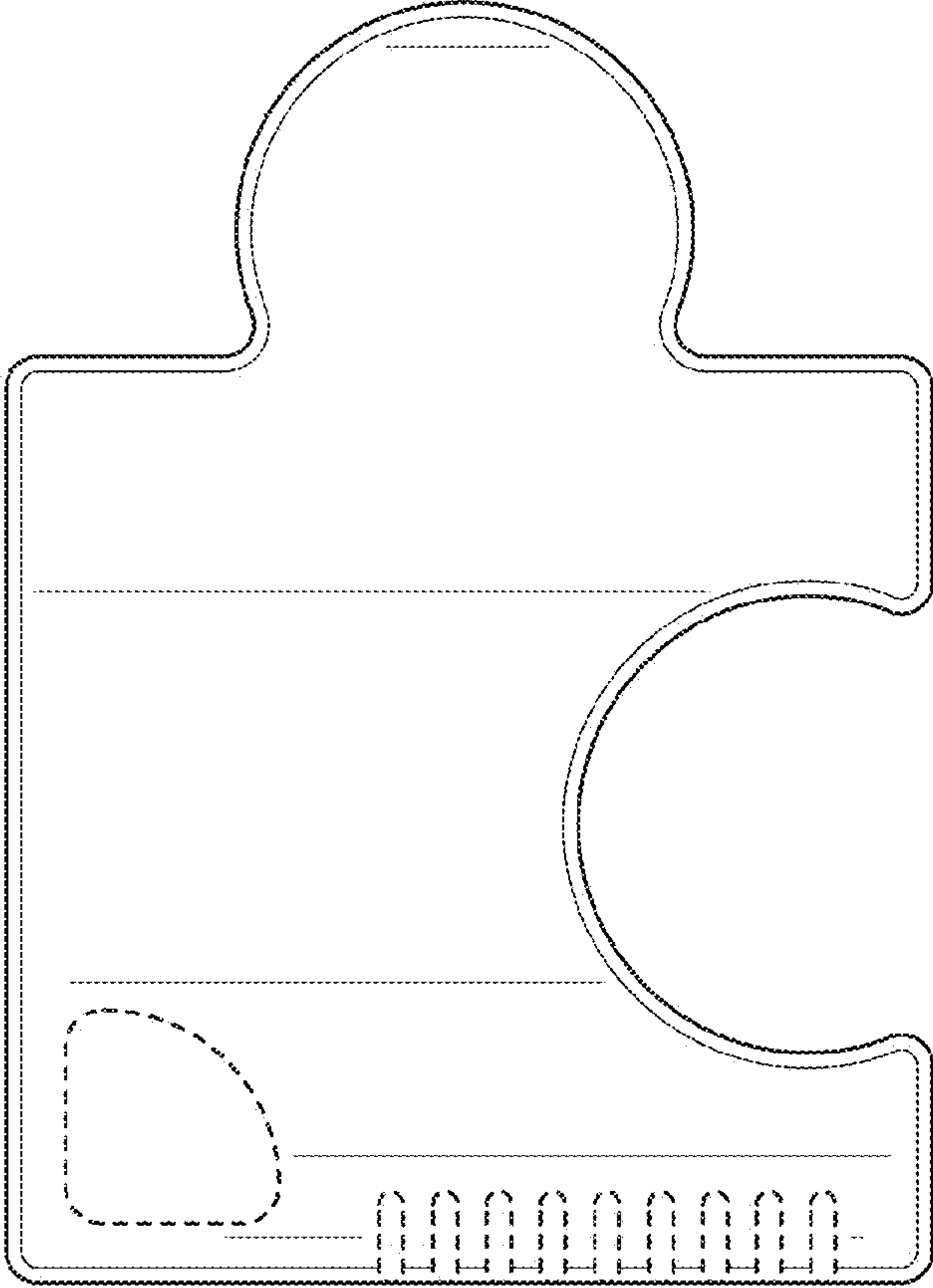


FIG. 6

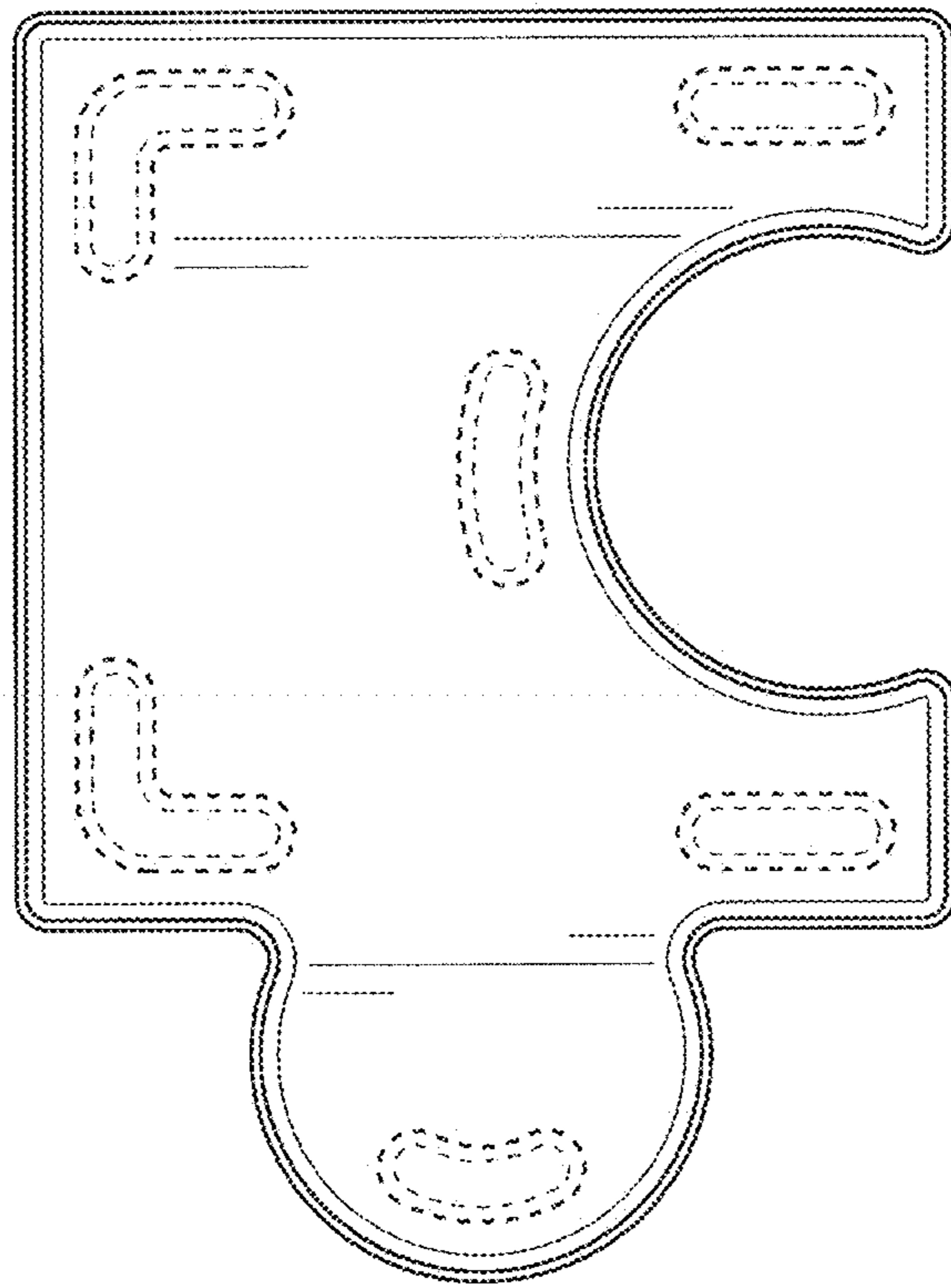


FIG. 7



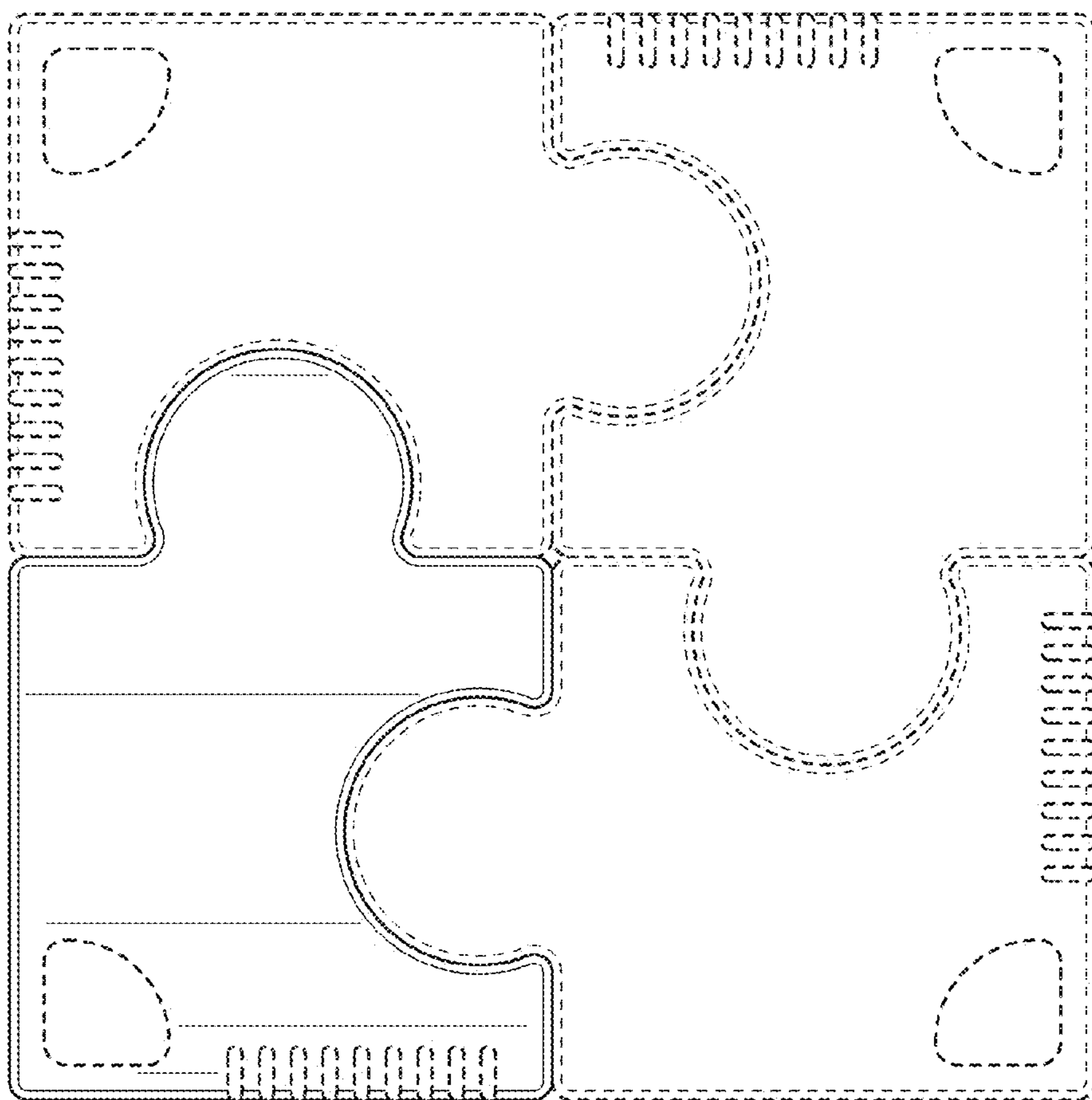


FIG. 8

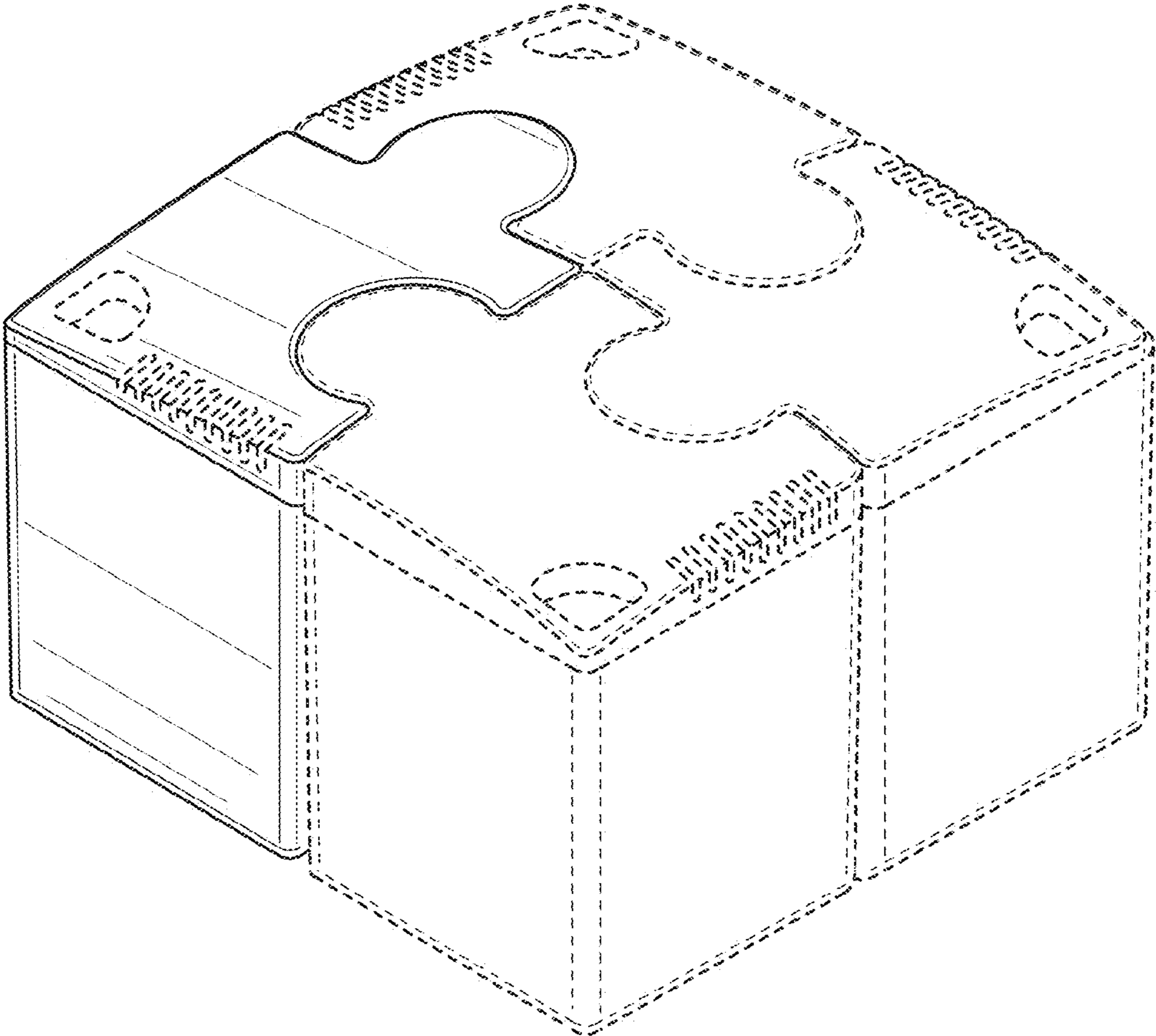


FIG. 9