



US00D721855S

(12) **United States Design Patent**
Lavigne

(10) **Patent No.:** **US D721,855 S**
(45) **Date of Patent:** **** Jan. 27, 2015**

- (54) **COSMETIC COMPACT**
- (71) Applicant: **Richard Lavigne**, Dobbs Ferry, NY (US)
- (72) Inventor: **Richard Lavigne**, Dobbs Ferry, NY (US)
- (73) Assignee: **Michael Kors, LLC**, New York, NY (US)
- (**) Term: **14 Years**
- (21) Appl. No.: **29/479,174**
- (22) Filed: **Jan. 13, 2014**
- (51) **LOC (10) Cl.** **28-03**
- (52) **U.S. Cl.**
USPC **D28/83**
- (58) **Field of Classification Search**
CPC A45D 33/006; A45D 33/003; A45D 33/04-33/16; A45D 33/025; A45D 33/02; A45D 33/20; A45D 33/22; A45D 33/24; A45D 33/26; A45D 33/28; A45D 33/18; A45D 40/22; A45D 40/222; A45D 40/24; A45D 42/02
USPC D28/64.1-64.7, 76-84; 206/581, 823; 132/286-318; D9/503-505, 421, 428, D9/447; D3/901
See application file for complete search history.

D651,350 S	12/2011	Paquet et al.	
D666,773 S	9/2012	Greenfield	
D682,474 S	5/2013	Owen et al.	
2004/0040570 A1 *	3/2004	Shih	132/293
2010/0128374 A1 *	5/2010	Zaglin et al.	359/866

FOREIGN PATENT DOCUMENTS

CN	301085287	12/2009
CN	301636189	8/2011
CN	302245130	12/2012
JP	D1284091	4/2006
JP	D1282315	9/2006

* cited by examiner

Primary Examiner — Jennifer Rivard
(74) *Attorney, Agent, or Firm* — Cynthia R. Miller

(57) **CLAIM**

I claim the ornamental design for a cosmetic compact, as shown and described.

DESCRIPTION

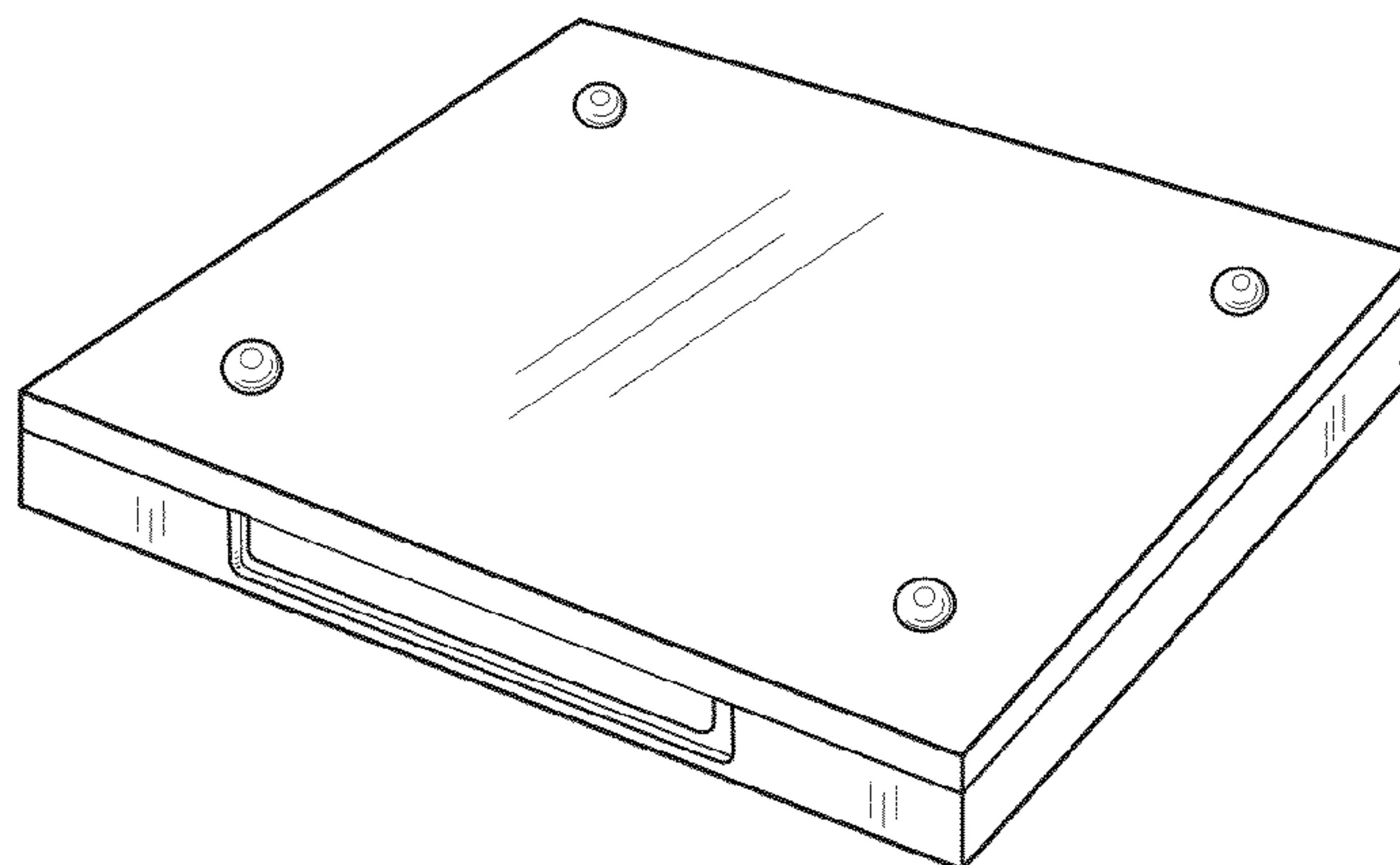
FIG. 1 is a top, front and right side perspective view of my new design for a cosmetic compact, shown in the closed position;
 FIG. 2 is a top plan view of the cosmetic compact shown in FIG. 1;
 FIG. 3 is a bottom plan view of the cosmetic compact shown in FIG. 1;
 FIG. 4 is a front elevation view of the cosmetic compact shown in FIG. 1;
 FIG. 5 is a left side elevation view of the cosmetic compact shown in FIG. 1;
 FIG. 6 is a rear elevation view of the cosmetic compact shown in FIG. 1;
 FIG. 7 is a right side elevation view of the cosmetic compact shown in FIG. 1; and,
 FIG. 8 is a front, right side perspective view of the cosmetic compact of FIG. 1, shown in the open position.
 The broken lines illustrate portions of the cosmetic compact and form no part of the claimed design.

1 Claim, 2 Drawing Sheets

(56) **References Cited**

U.S. PATENT DOCUMENTS

D104,695 S	5/1937	Lux	
D115,324 S	6/1939	Zell	
D119,798 S	4/1940	Zell	
5,769,234 A *	6/1998	Gueret	206/581
D422,120 S	3/2000	Orsomando	
6,831,541 B1 *	12/2004	Seidler	206/818
6,932,220 B2	8/2005	Byun	
D530,861 S	10/2006	Kuo	
D553,799 S	10/2007	Williams	
D631,609 S	1/2011	Lai	
D632,015 S *	2/2011	Lai	D28/83



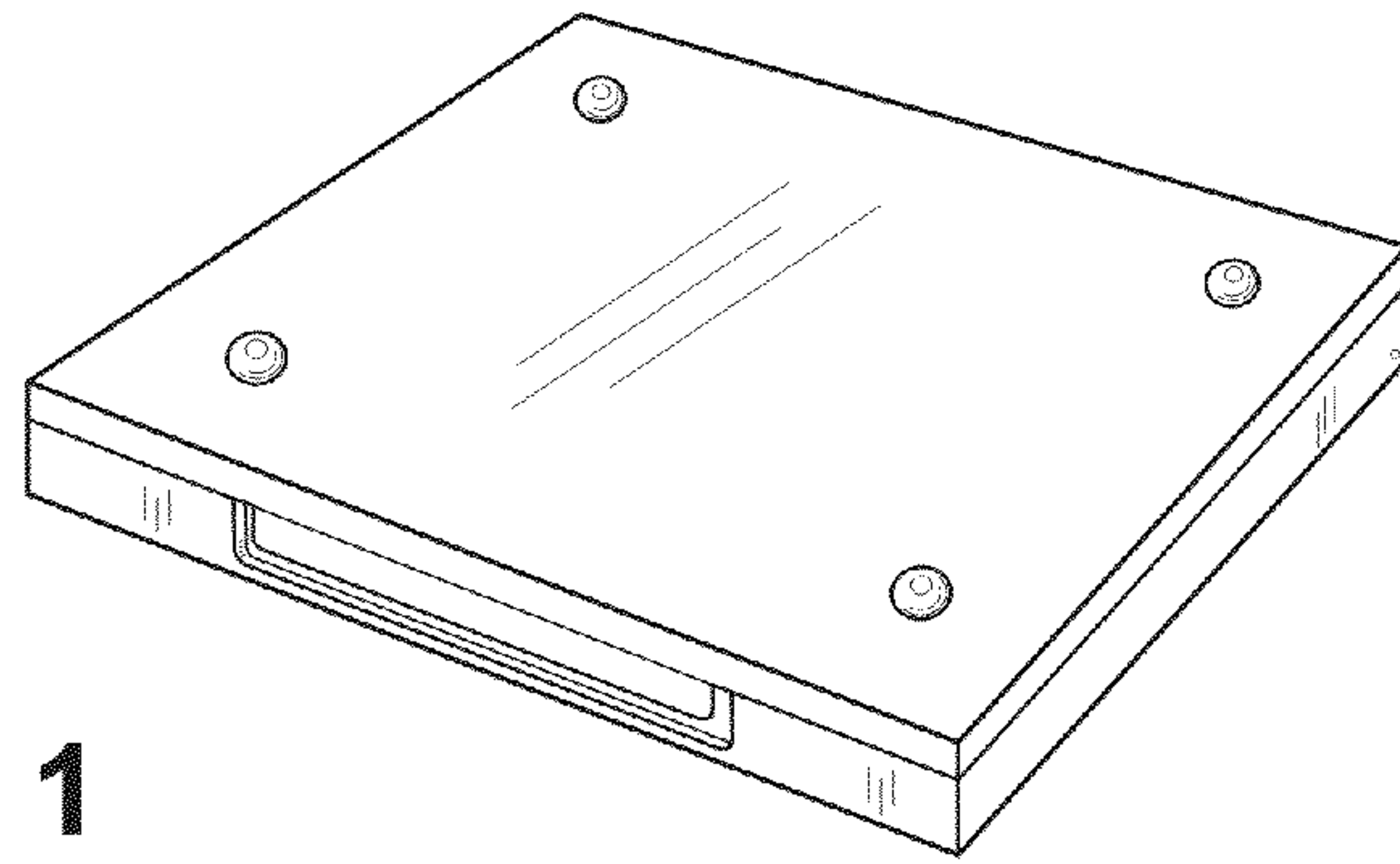


FIG. 1

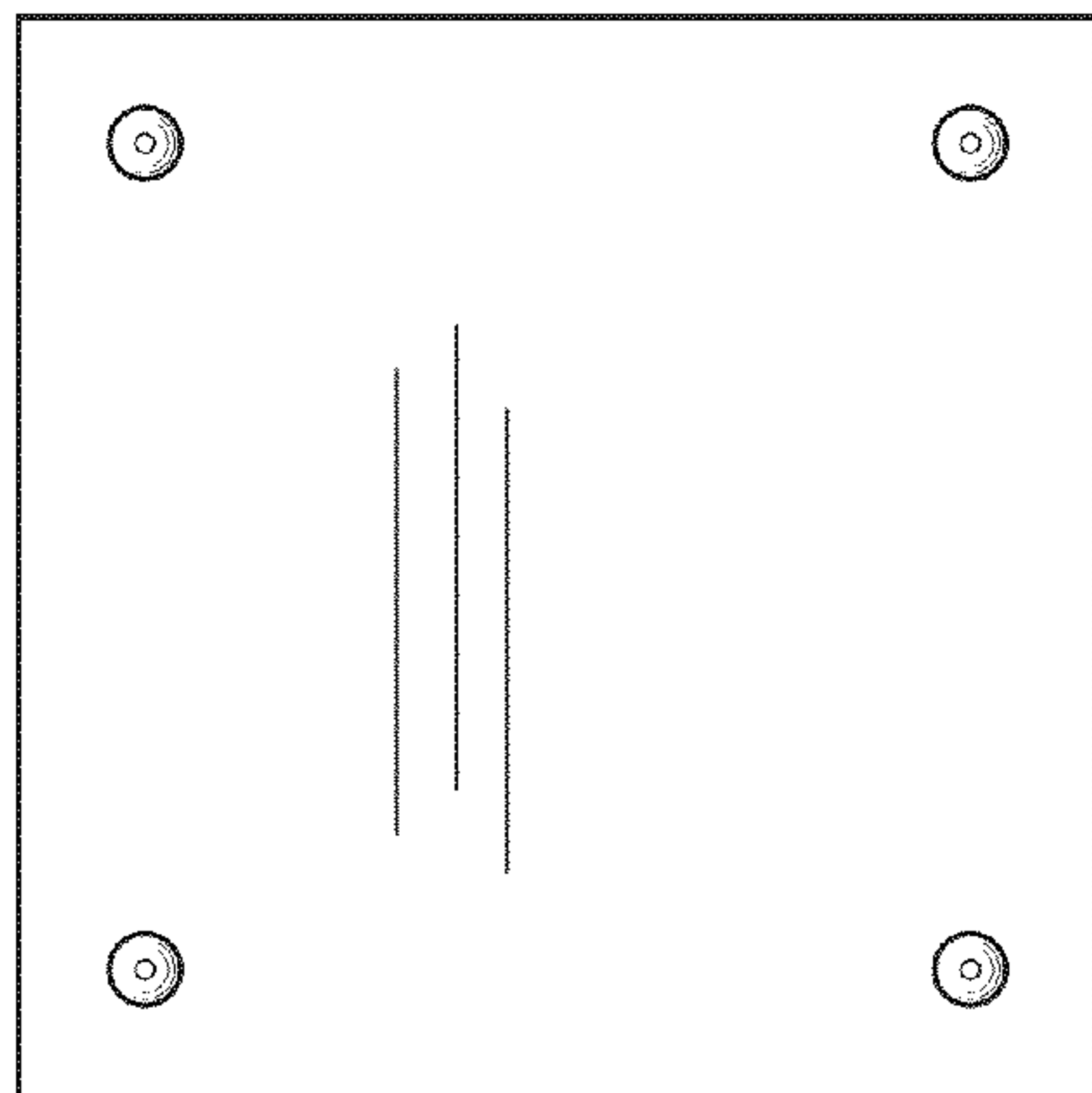


FIG. 2

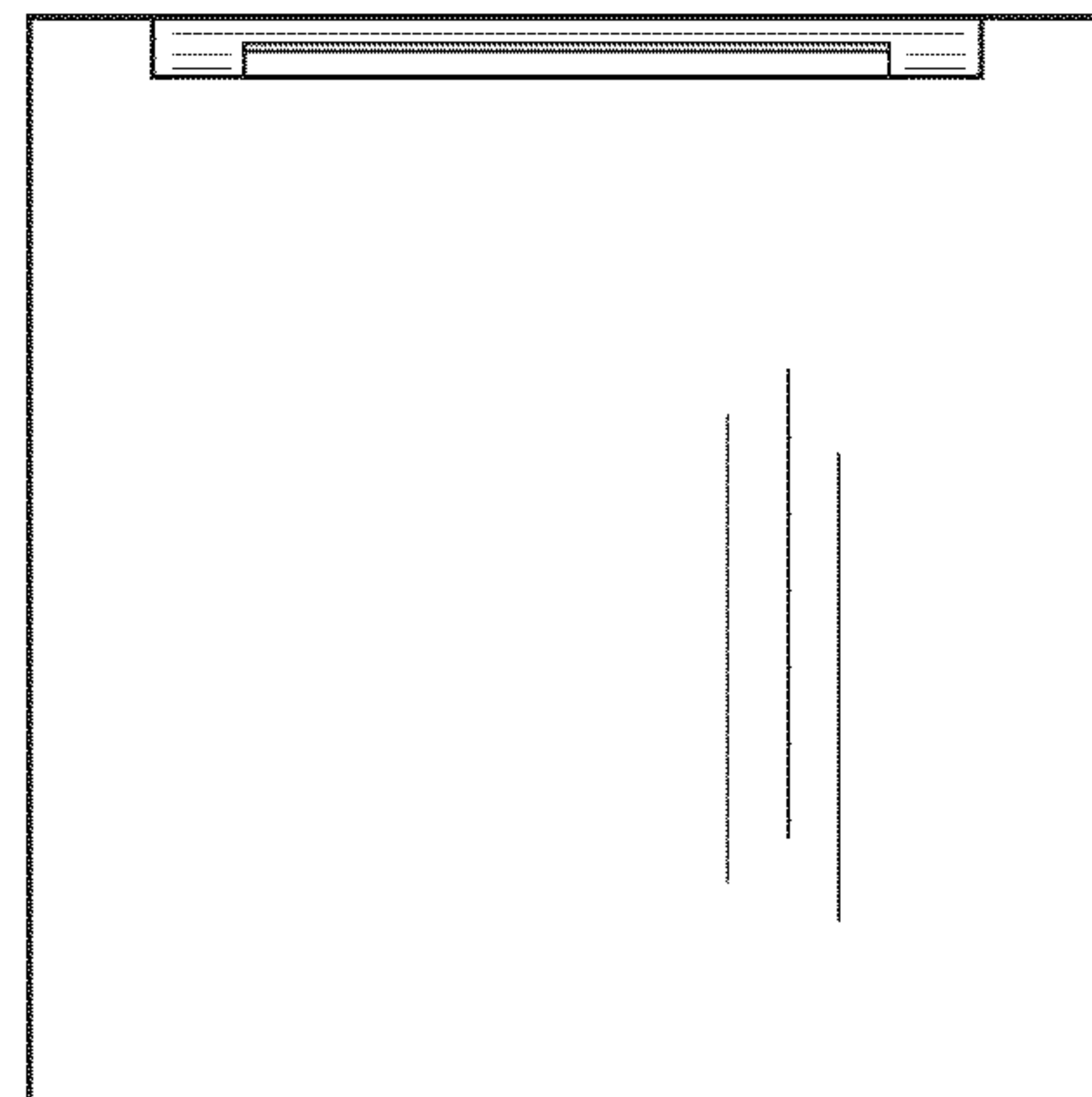


FIG. 3

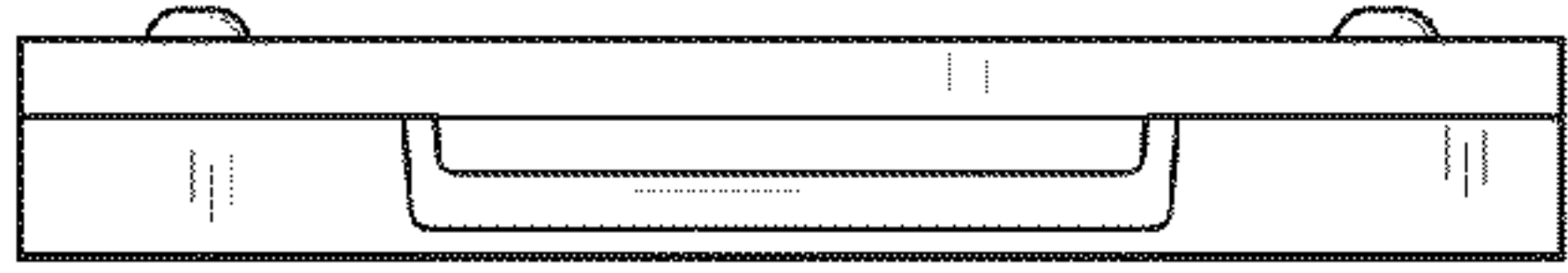


FIG. 4

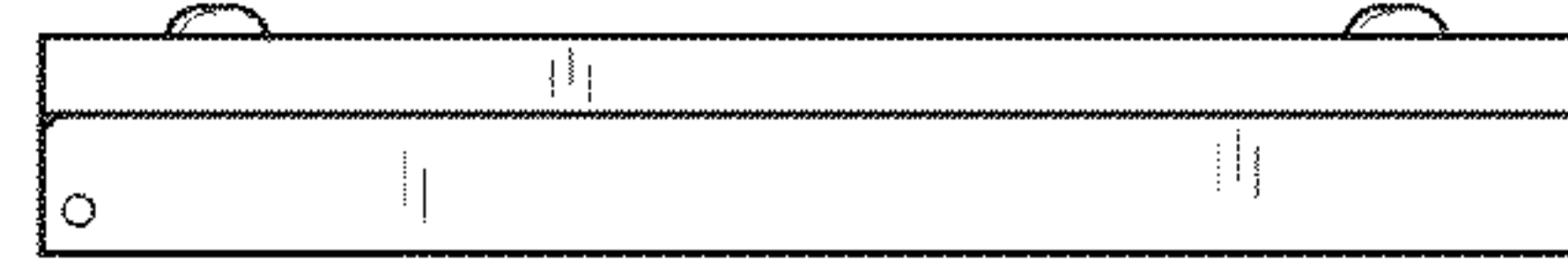


FIG. 5



FIG. 6



FIG. 7

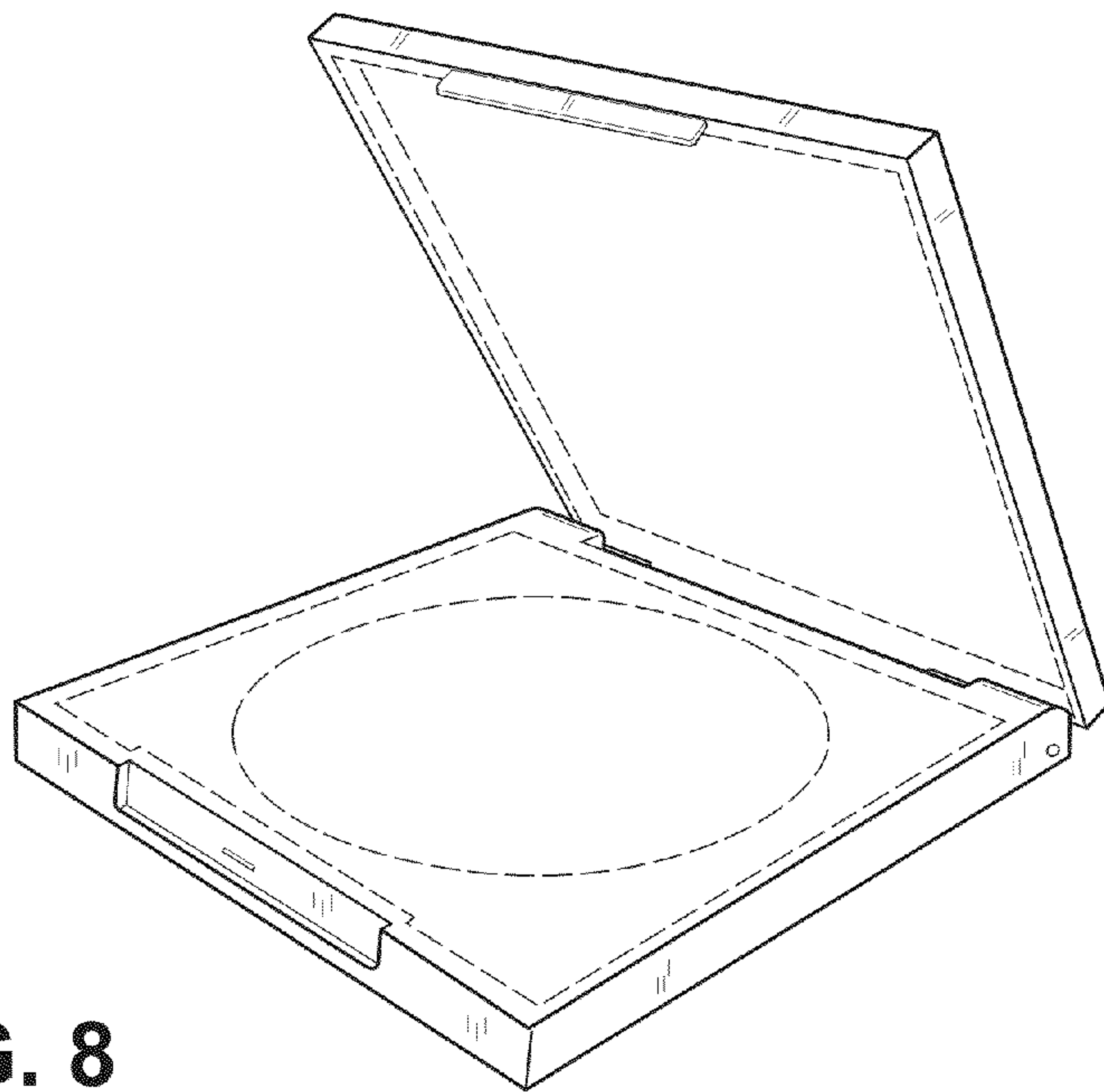


FIG. 8