



US00D721854S

(12) **United States Design Patent**
Parker

(10) **Patent No.:** **US D721,854 S**

(45) **Date of Patent:** **** *Jan. 27, 2015**

(54) **COSMETIC COMPACT CASE**

(71) Applicant: **Phillipe Olivier Parker**, Zejtun (MT)

(72) Inventor: **Phillipe Olivier Parker**, Zejtun (MT)

(*) Notice: This patent is subject to a terminal disclaimer.

(**) Term: **14 Years**

(21) Appl. No.: **29/473,929**

(22) Filed: **Nov. 27, 2013**

(30) **Foreign Application Priority Data**

Oct. 23, 2013 (EM) 002331520-0005

(51) **LOC (10) Cl.** **28-03**

(52) **U.S. Cl.**
USPC **D28/83**

(58) **Field of Classification Search**

CPC A45D 33/006; A45D 33/003; A45D 33/04-33/16; A45D 33/025; A45D 33/02; A45D 33/20; A45D 33/22; A45D 33/24; A45D 33/26; A45D 33/28; A45D 33/18; A45D 40/22; A45D 40/222; A45D 40/24; A45D 42/02
USPC D28/64.1-64.7, 76-84; 206/581, 823; 132/286-318; D9/503-505

See application file for complete search history.

(56) **References Cited**

U.S. PATENT DOCUMENTS

| | | | | | | |
|--------------|----|---|---------|-----------------|-------|---------|
| D401,017 | S | * | 11/1998 | Thorpe | | D28/78 |
| D462,809 | S | * | 9/2002 | LaSpina et al. | | D28/78 |
| D478,689 | S | * | 8/2003 | Thorpe | | D28/83 |
| D479,016 | S | * | 8/2003 | Sgariboldi | | D28/78 |
| D576,770 | S | * | 9/2008 | Mascotte et al. | | D28/83 |
| 2004/0200755 | A1 | * | 10/2004 | Gueret | | 206/581 |
| 2007/0029226 | A1 | * | 2/2007 | Yuhara et al. | | 206/581 |
| 2010/0008074 | A1 | * | 1/2010 | Kang | | 362/154 |

* cited by examiner

Primary Examiner — Jennifer Rivard

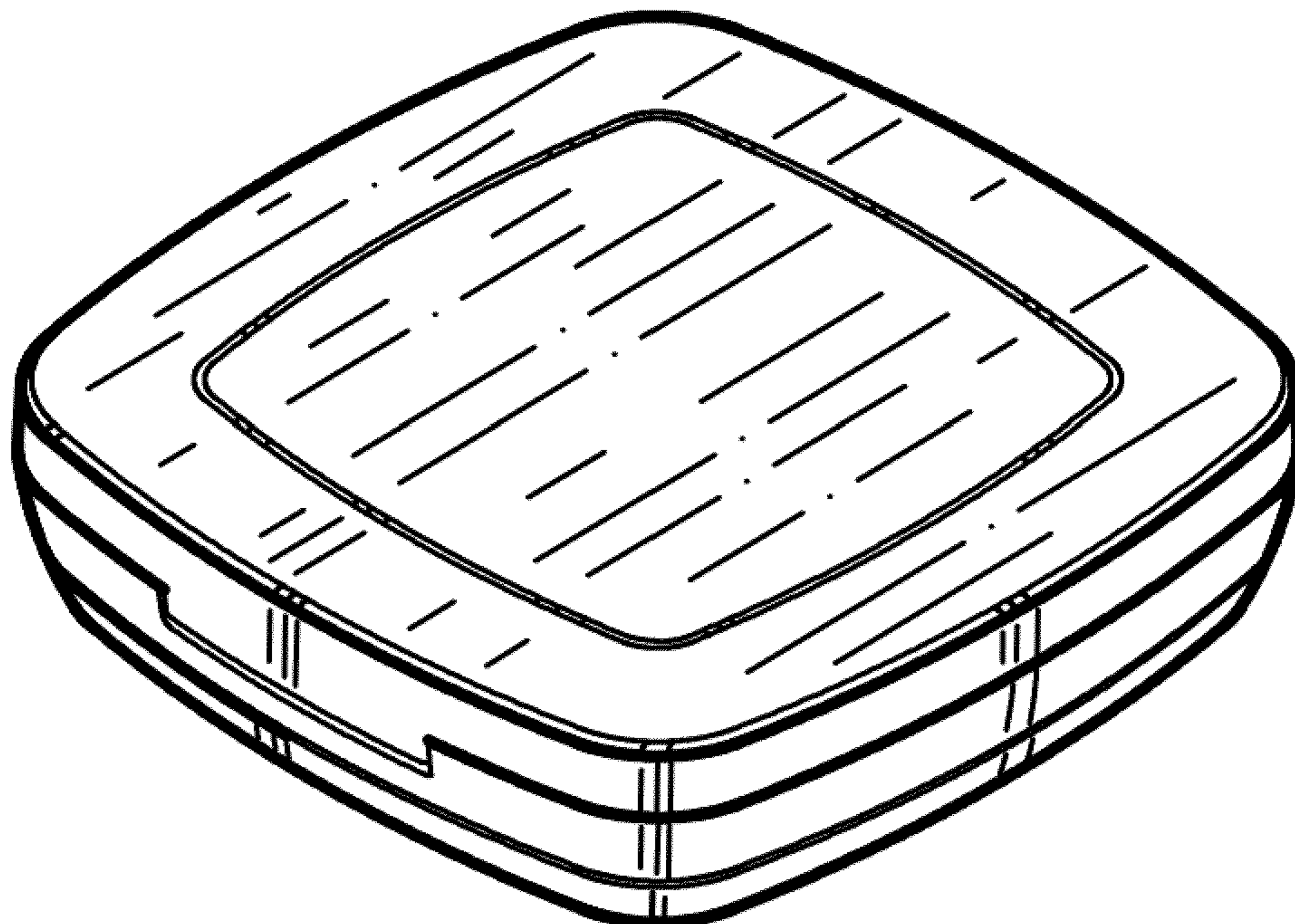
(57) **CLAIM**

I, claim the ornamental design for a cosmetic compact case, as shown and described.

DESCRIPTION

FIG. 1 is a top view of a cosmetic compact case showing my new design;
FIG. 2 is a bottom view thereof;
FIG. 3 is a front view thereof;
FIG. 4 is a rear view thereof;
FIG. 5 is a right side elevation view thereof;
FIG. 6 is a left side elevation view thereof; and,
FIG. 7 is a perspective view thereof.

1 Claim, 1 Drawing Sheet



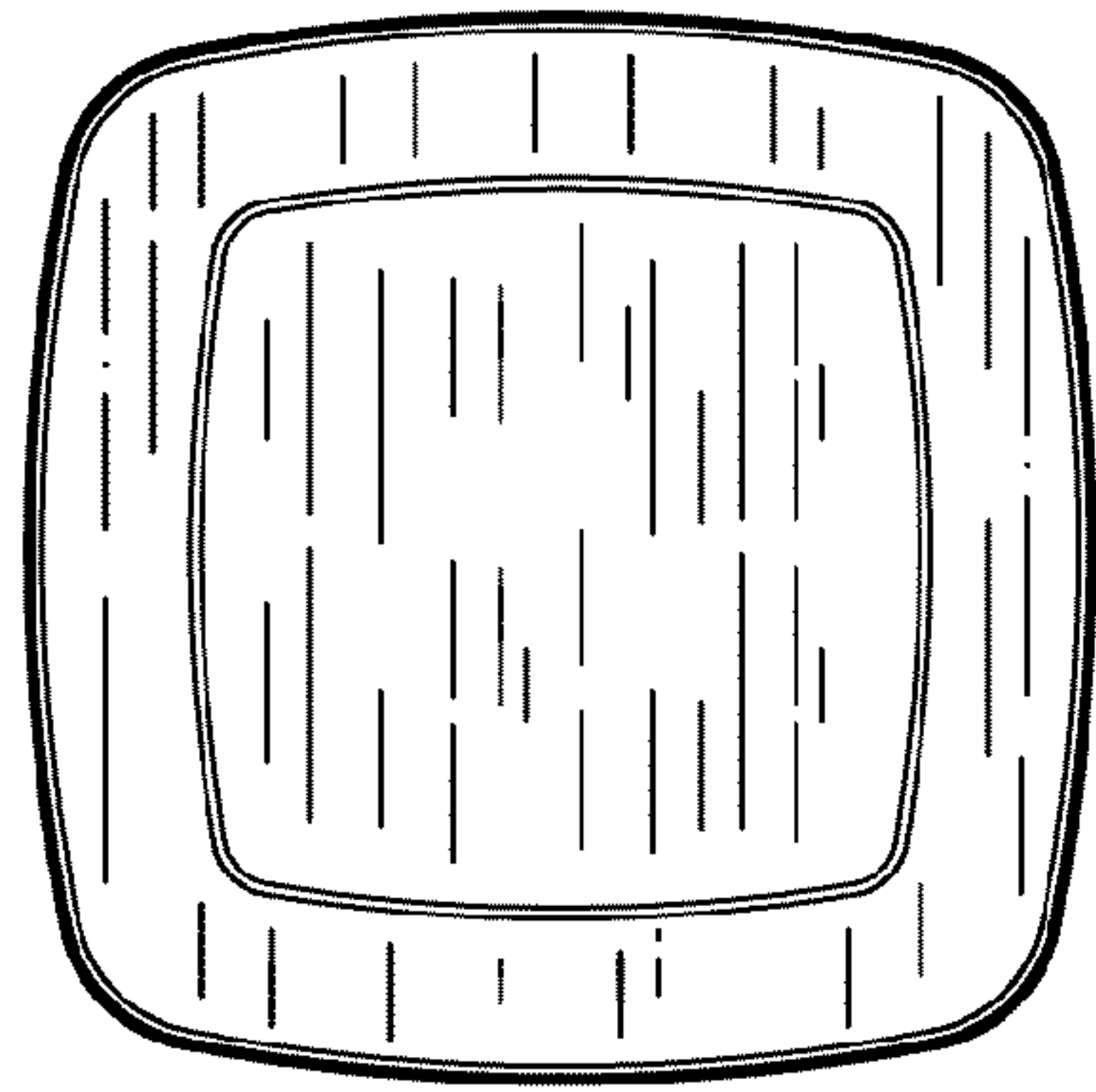


FIG.1

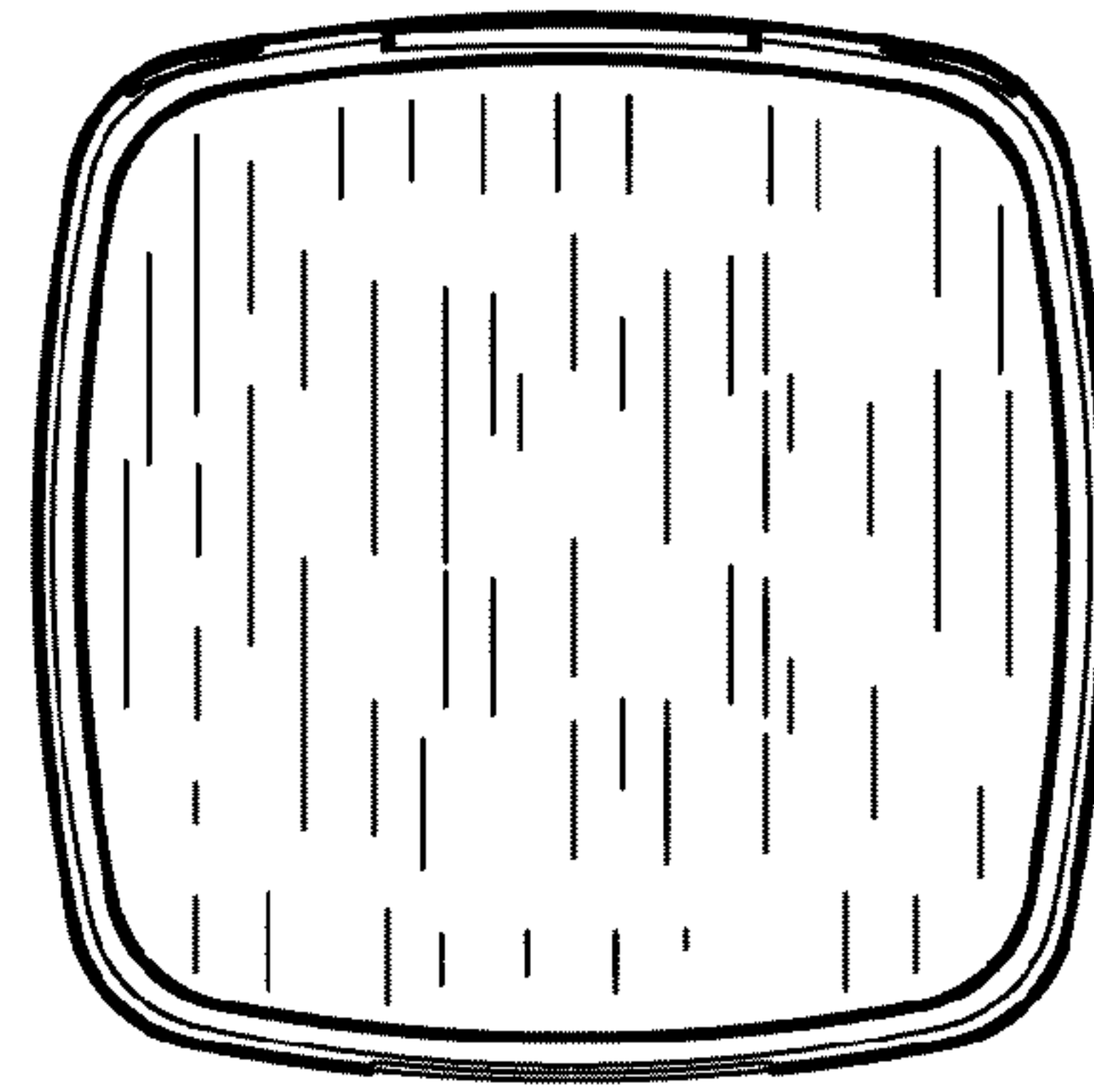


FIG.2

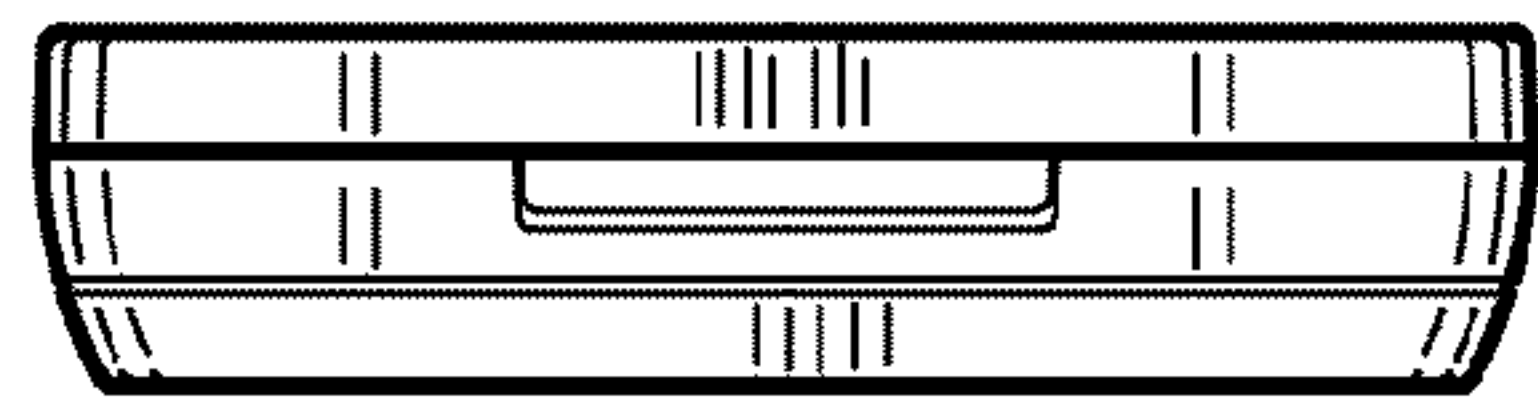


FIG.3



FIG.4

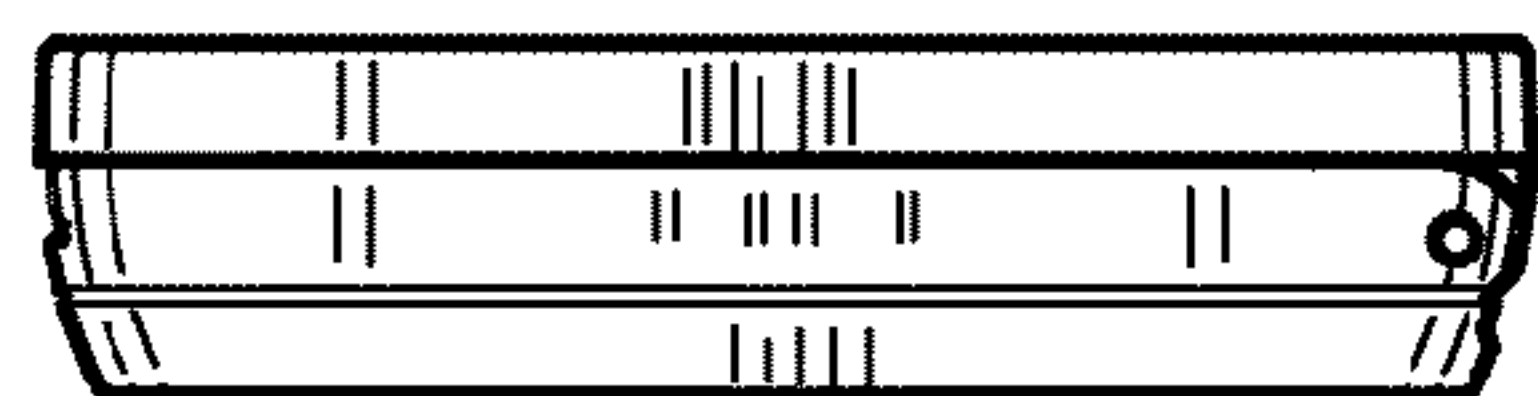


FIG.5

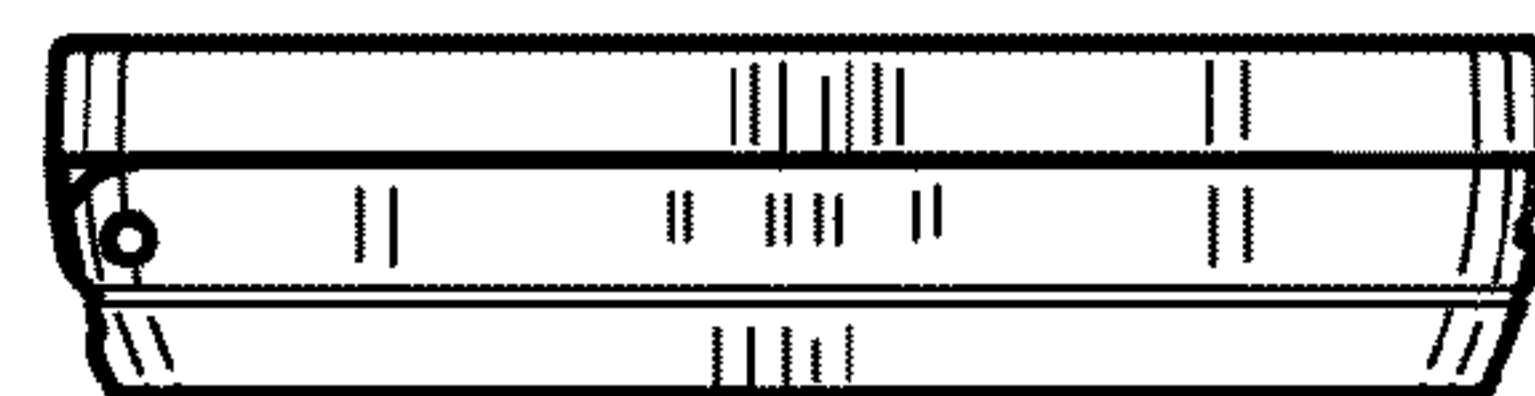


FIG.6

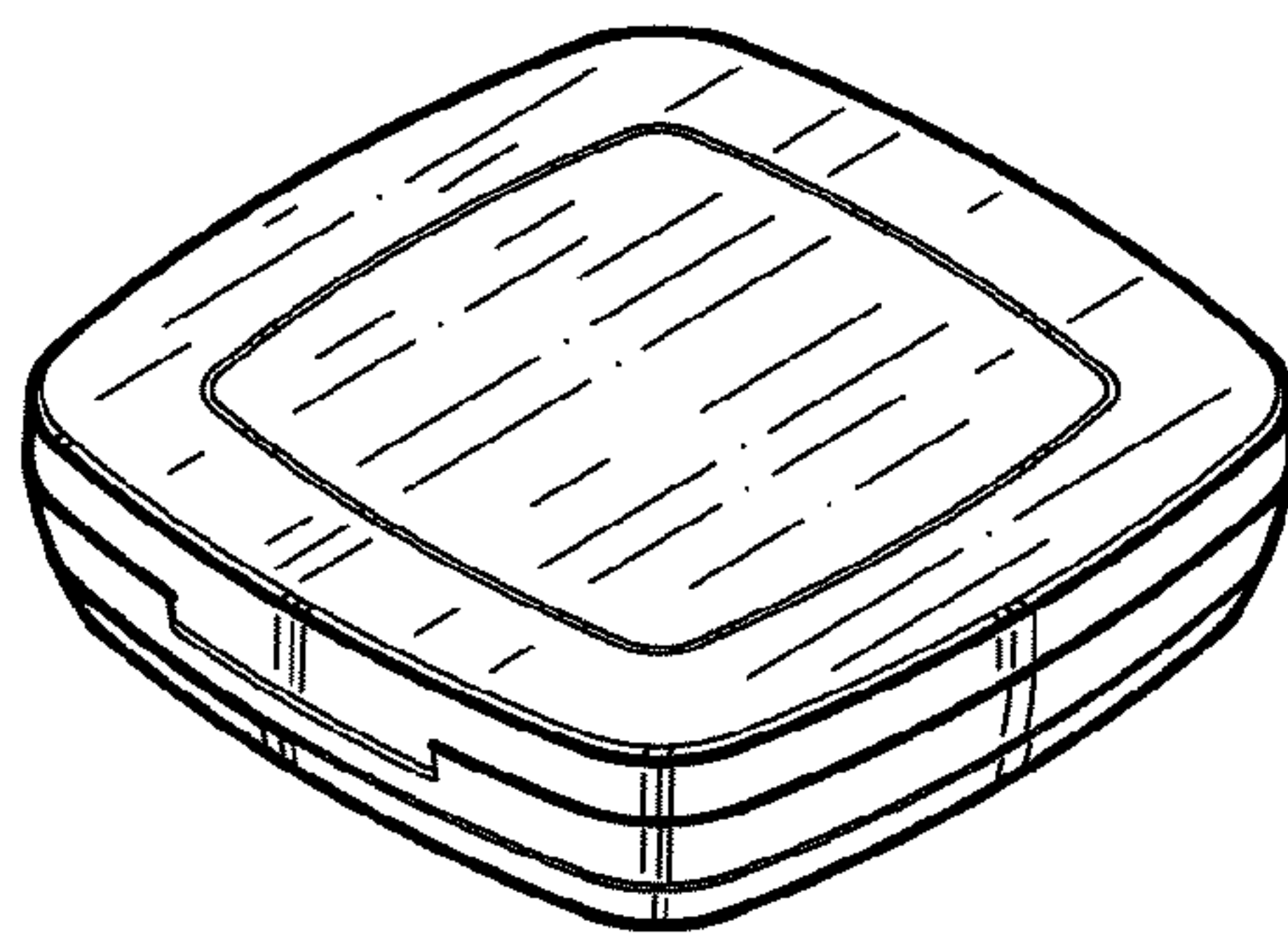


FIG.7