



US00D721852S

(12) **United States Design Patent**  
**Yates**

(10) **Patent No.:** **US D721,852 S**  
(45) **Date of Patent:** **\*\* Jan. 27, 2015**

(54) **DENTAL FLOSS HOLDER AND DISPENSER**

(71) Applicant: **Russell R. Yates**, Englewood, NJ (US)

(72) Inventor: **Russell R. Yates**, Englewood, NJ (US)

(\*\*) Term: **14 Years**

(21) Appl. No.: **29/476,728**

(22) Filed: **Dec. 16, 2013**

(51) **LOC (10) Cl.** ..... **28-03**

(52) **U.S. Cl.**  
USPC ..... **D28/66**

(58) **Field of Classification Search**  
CPC ..... A61C 15/043  
USPC ..... D28/65-68; 132/321-325, 327;  
206/225, 397; D8/358; D9/420, 421,  
D9/423, 424; 225/33

See application file for complete search history.

(56) **References Cited**

**U.S. PATENT DOCUMENTS**

5,160,077	A *	11/1992	Sticklin	.....	225/38
5,415,187	A *	5/1995	Heneveld	.....	132/325
5,680,933	A *	10/1997	Miller	.....	206/581
5,806,666	A *	9/1998	Chiang et al.	.....	206/63.5

6,047,712	A *	4/2000	Blades et al.	.....	132/325
6,571,804	B2 *	6/2003	Adler	.....	132/325
6,945,777	B2 *	9/2005	Black	.....	433/29
8,671,958	B2 *	3/2014	Borg et al.	.....	132/325
2008/0223397	A1	9/2008	Yates	.....	132/324

\* cited by examiner

*Primary Examiner* — Zenia Bennett

(74) *Attorney, Agent, or Firm* — Fattibene and Fattibene LLC; Paul A. Fattibene

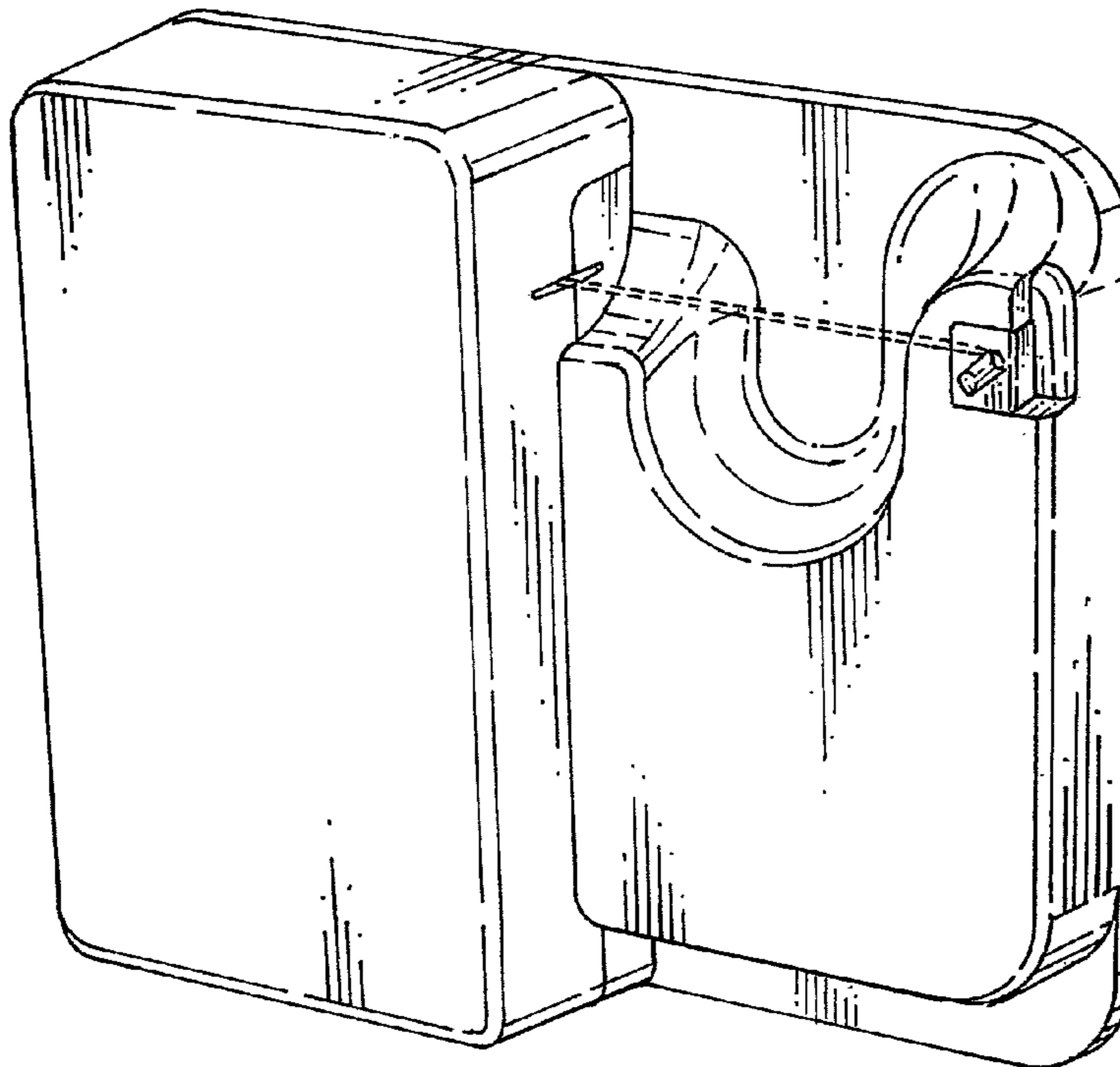
(57) **CLAIM**

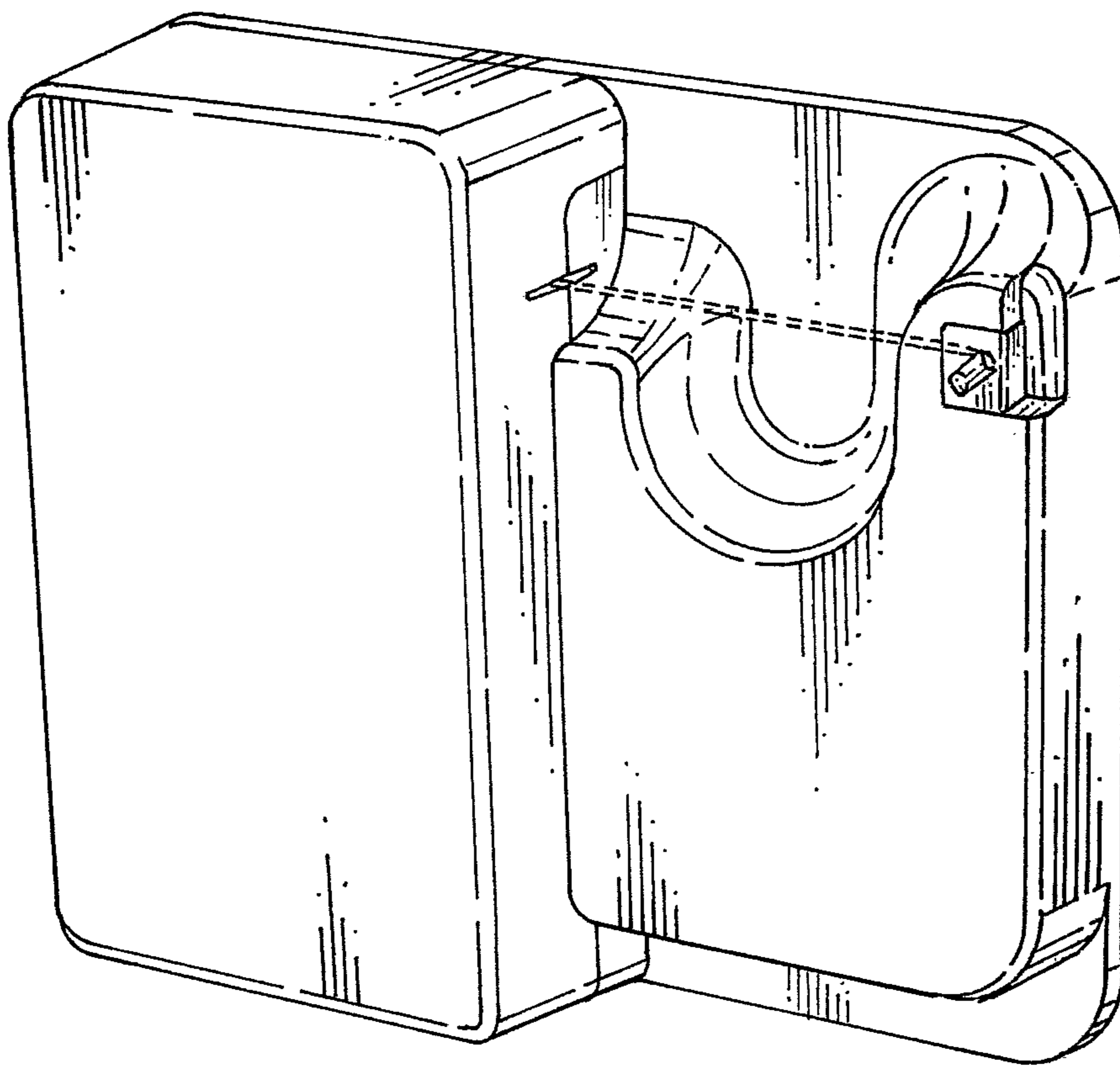
The ornamental design for a dental floss holder and dispenser, as shown and described.

**DESCRIPTION**

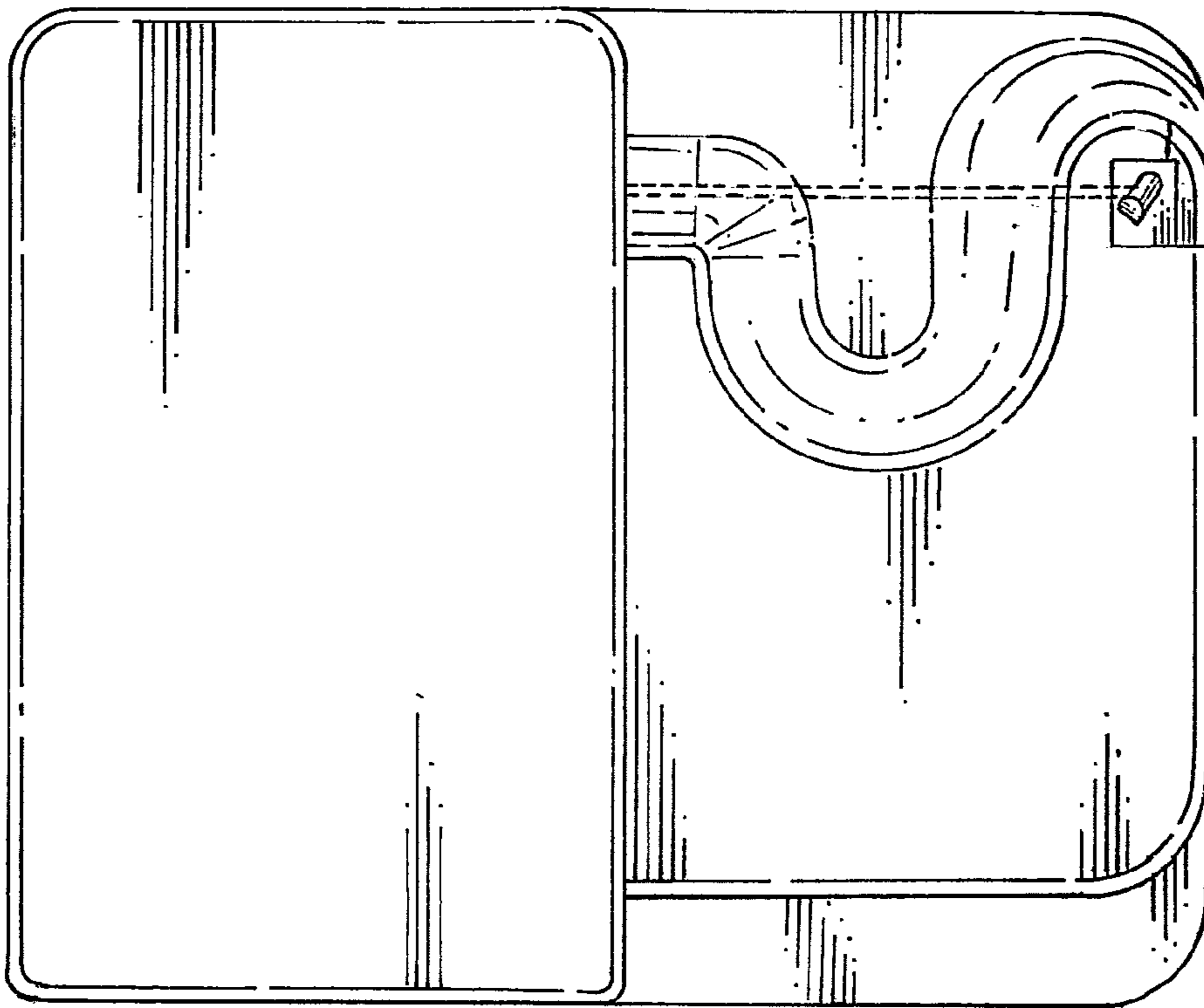
FIG. 1 is a perspective view of a dental floss holder and dispenser showing the new design; FIG. 2 is a front elevation view thereof; FIG. 3 is a top view thereof; FIG. 4 is a bottom view thereof; FIG. 5 is a rear elevation view thereof; FIG. 6 is a left side elevational view thereof; and, FIG. 7 is a right side elevational view thereof. The broken lines shown are for illustrative purposes only and from no part of the claimed design.

**1 Claim, 3 Drawing Sheets**

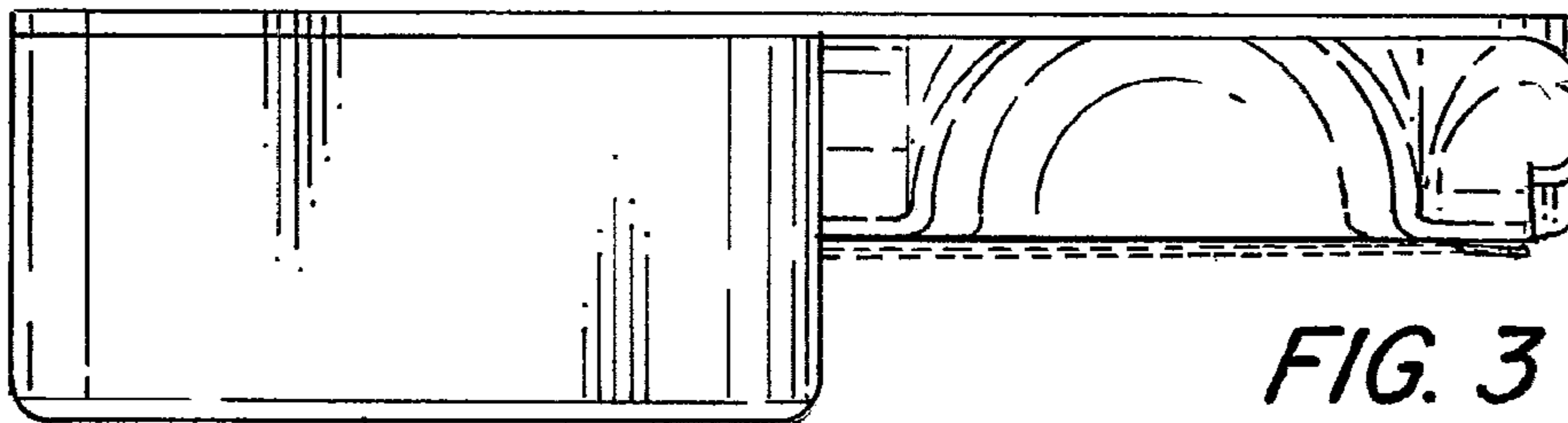




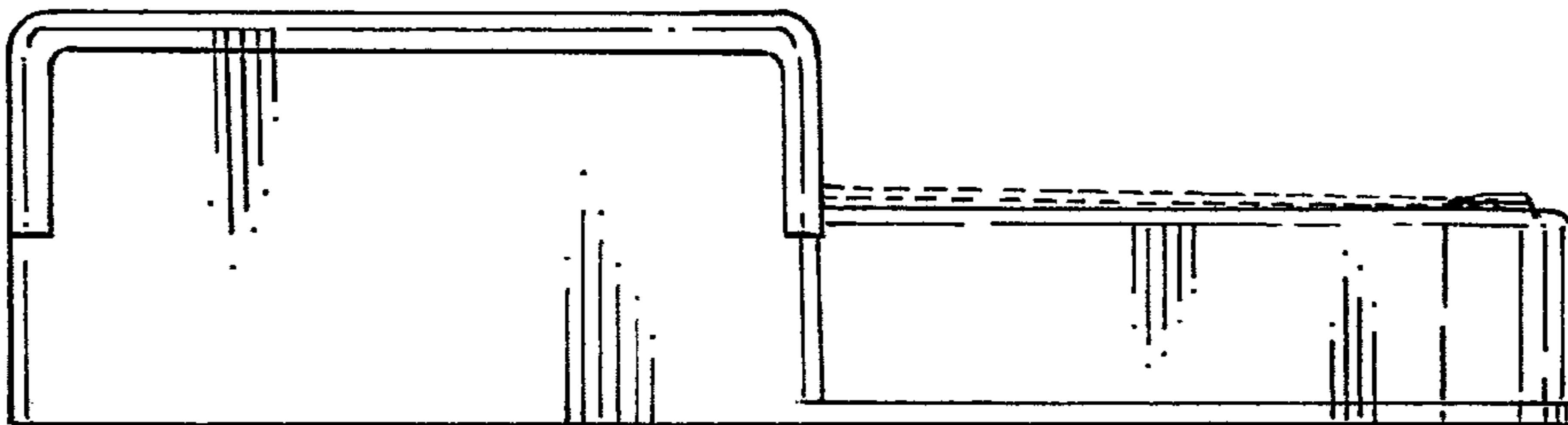
*FIG. 1*



*FIG. 2*



*FIG. 3*



*FIG. 4*

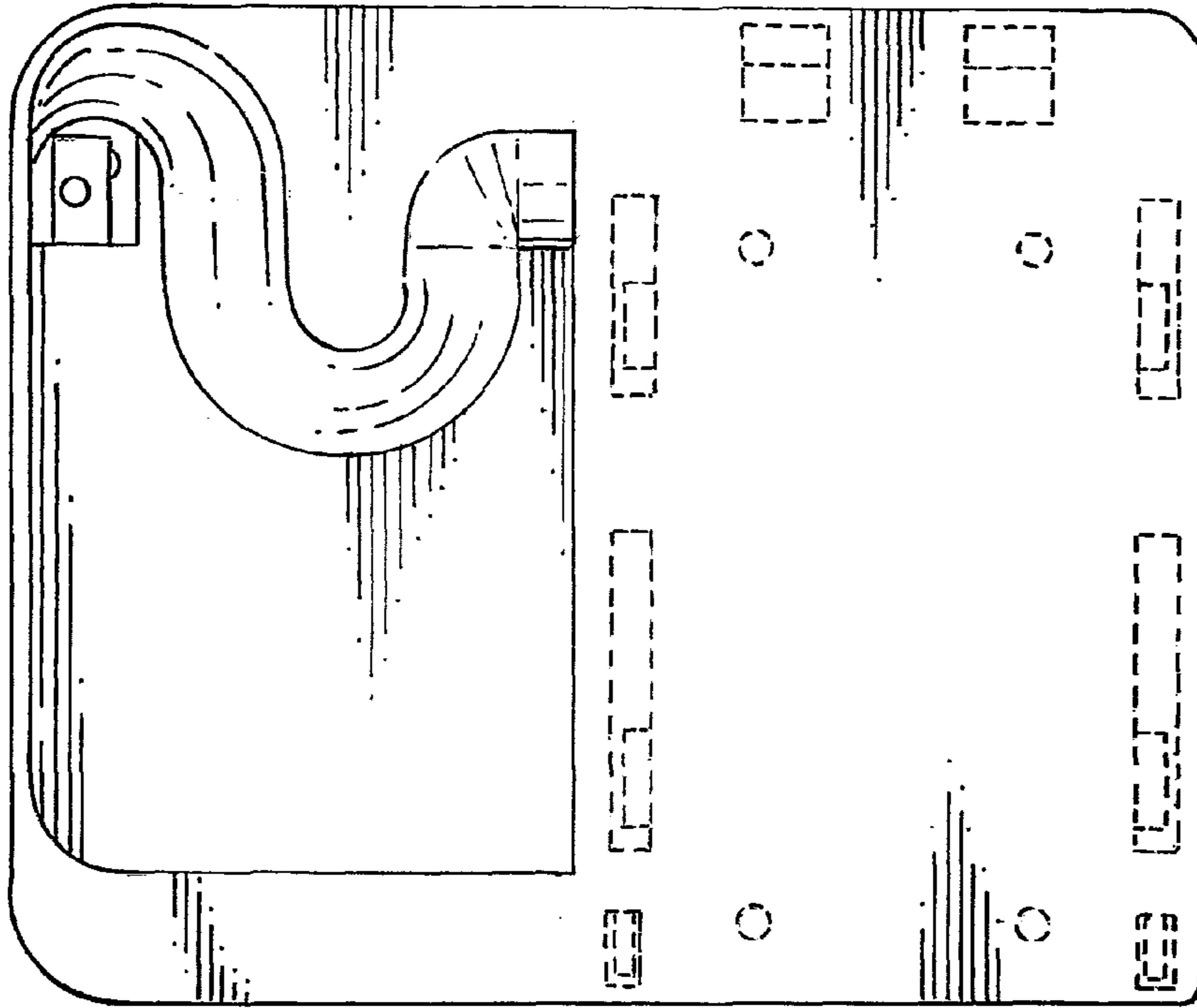


FIG. 5

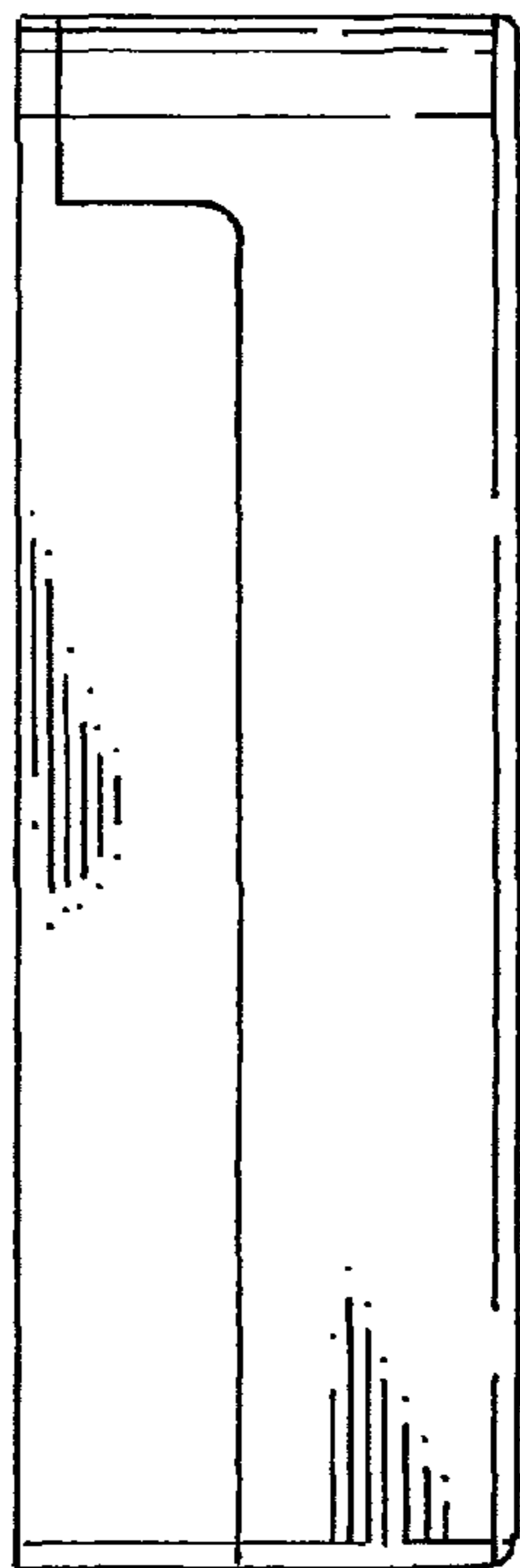


FIG. 6

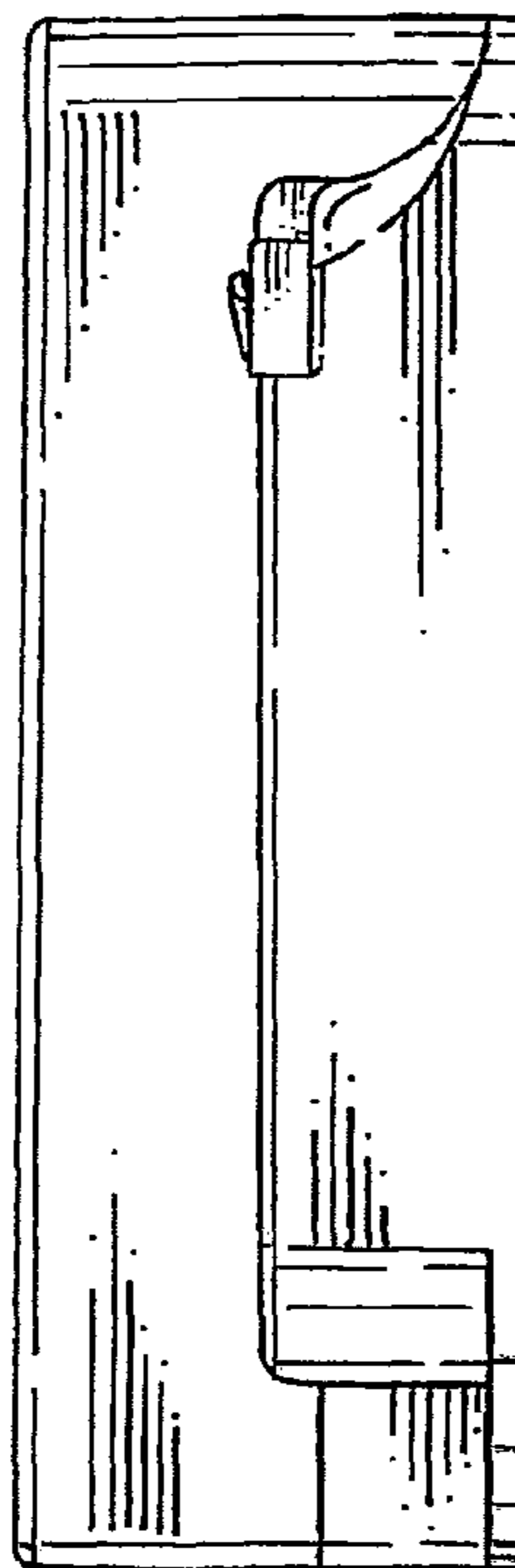


FIG. 7