



US00D721850S

(12) **United States Design Patent**
Pottinger

(10) **Patent No.:** **US D721,850 S**
(45) **Date of Patent:** **** Jan. 27, 2015**

(54) **SHOWER TUB BACK SCRUBBER DEVICE**
(71) Applicant: **Rapheal Pottinger**, Fort Lauderdale, FL
(US)
(72) Inventor: **Rapheal Pottinger**, Fort Lauderdale, FL
(US)

5,779,653 A 7/1998 Thompson
D400,658 S 11/1998 Mejia, Sr.
6,526,618 B1 3/2003 Bolton
7,155,769 B1 * 1/2007 Baker 15/104.92
7,451,513 B2 11/2008 Torres
7,467,438 B2 12/2008 Ryman
D707,889 S * 6/2014 Miller D28/63
2014/0088474 A1 * 3/2014 Bukharina et al. 601/134

(**) Term: **14 Years**

FOREIGN PATENT DOCUMENTS

(21) Appl. No.: **29/496,235**

CH 666180 A * 7/1988 A61H 15/00
GB 2375478 A * 11/2002 A64B 11/00
TW M302997 U * 12/2006 A47K 7/02

(22) Filed: **Jul. 10, 2014**

(51) **LOC (10) Cl.** **28-03**

(52) **U.S. Cl.**
USPC **D28/63**

(58) **Field of Classification Search**
USPC D28/63, 91.2; D4/130; D24/200, 211,
D24/212; D30/158; D32/47; 4/559, 605,
4/606; 15/159.1, 160, 161; 601/134, 136,
601/154

See application file for complete search history.

* cited by examiner

Primary Examiner — Melanie H Tung
Assistant Examiner — Lavone D Tabor

(57) **CLAIM**
The ornamental design for a shower tub back scrubber device,
as shown and described.

DESCRIPTION

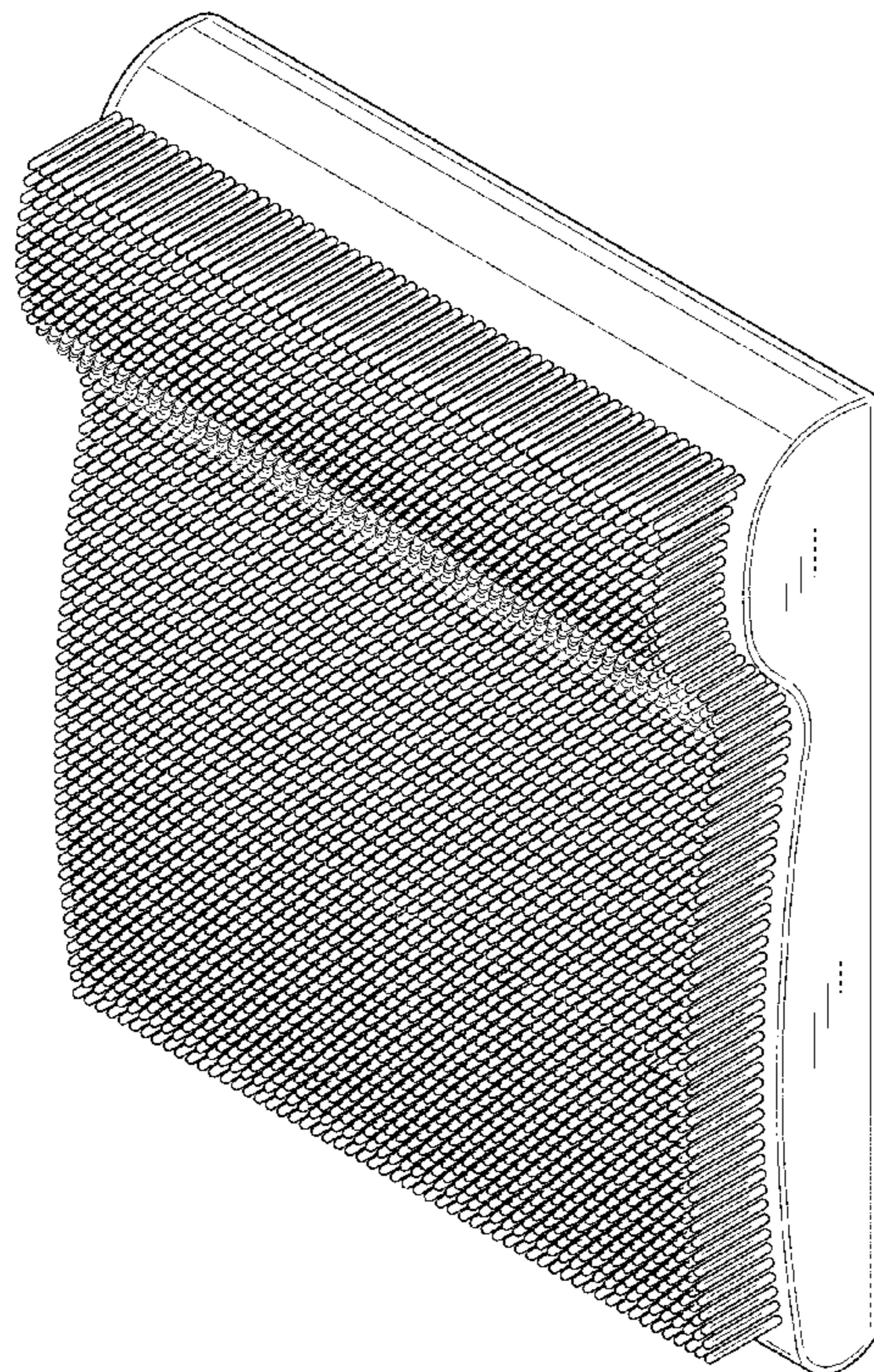
FIG. 1 is a front view of a shower tub back scrubber device
showing my new design;
FIG. 2 is a rear view of the shower tub back scrubber device;
FIG. 3 is a side view of the shower tub back scrubber device;
FIG. 4 is a top view of the shower tub back scrubber device;
FIG. 5 is a bottom view of the shower tub back scrubber
device; and,
FIG. 6 is a top front side perspective view of the shower tub
back scrubber device.

(56) **References Cited**

U.S. PATENT DOCUMENTS

1,954,940 A * 4/1934 Mikel 4/575.1
5,072,480 A 12/1991 Peters et al.
D324,778 S * 3/1992 Whittington D4/136
D332,178 S 1/1993 Proctor et al.
5,175,896 A 1/1993 Zamir
5,311,635 A 5/1994 Moore
D354,587 S 1/1995 Bush, Sr.
D362,074 S * 9/1995 Brown D24/211

1 Claim, 5 Drawing Sheets



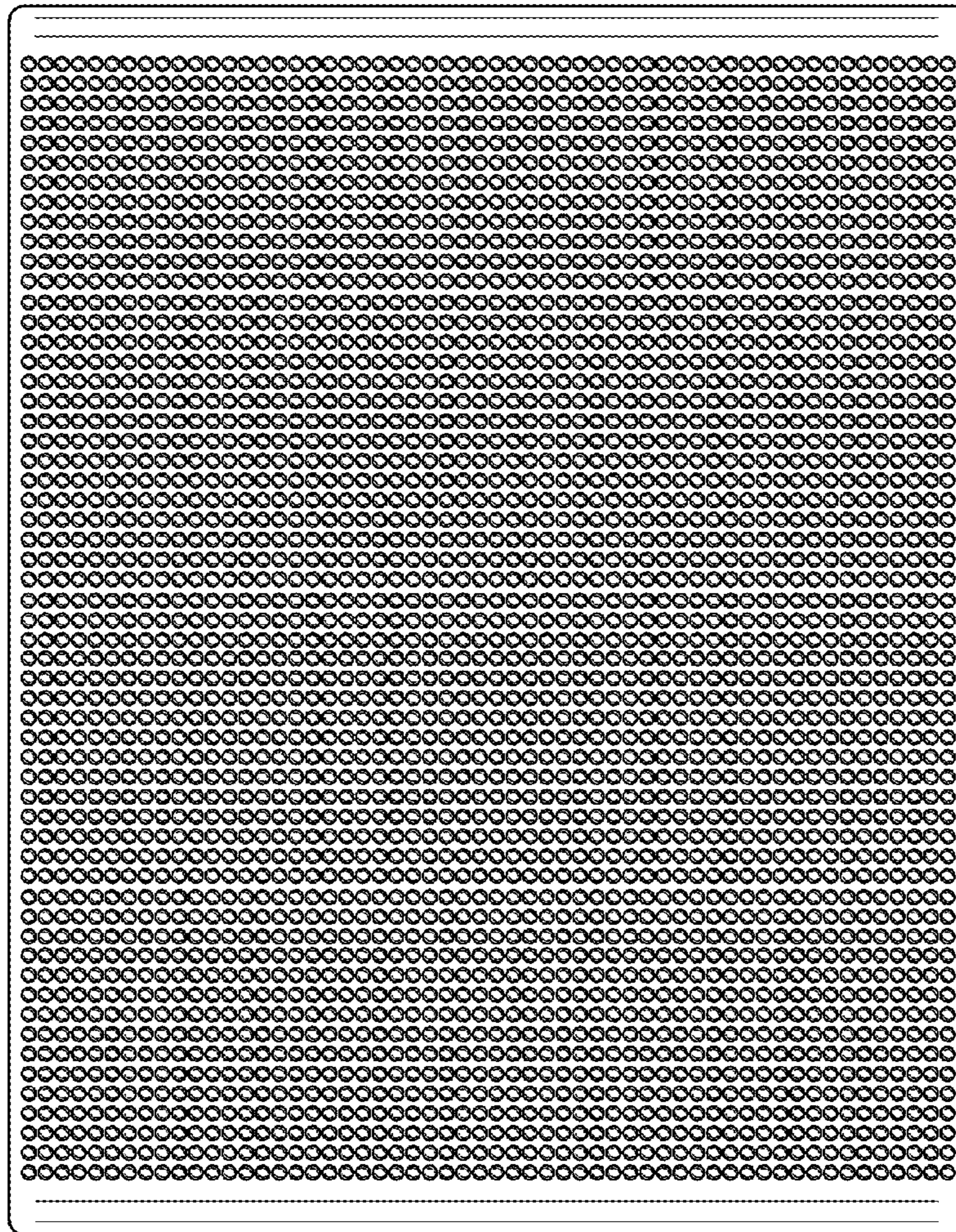


FIG. 1

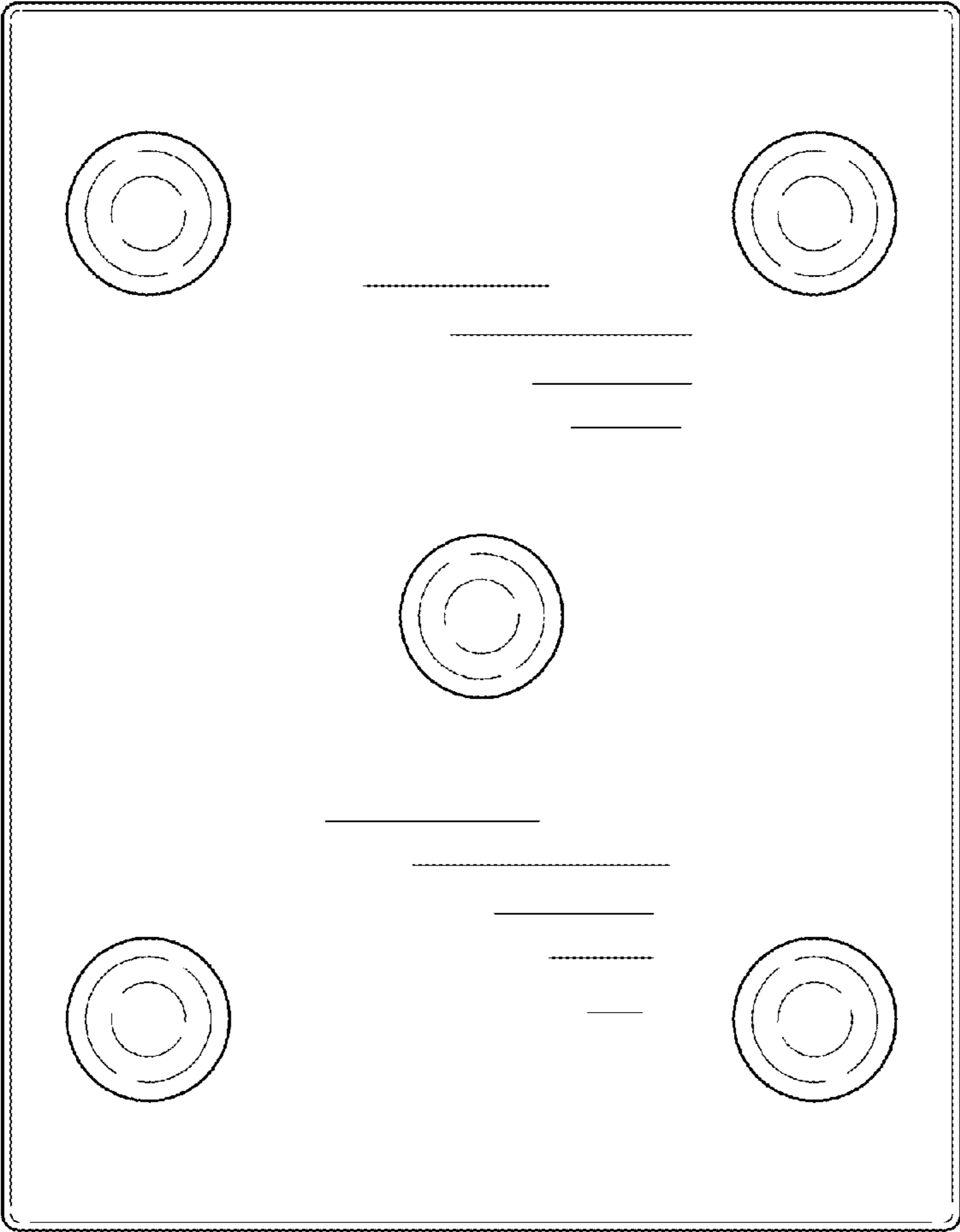


FIG. 2

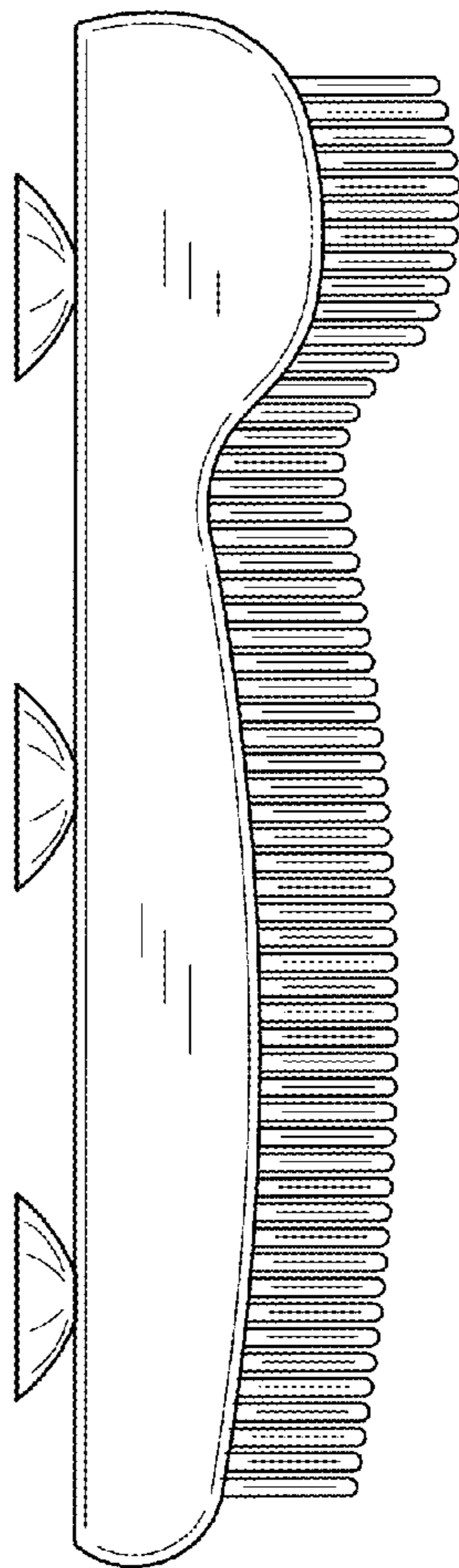


FIG. 3

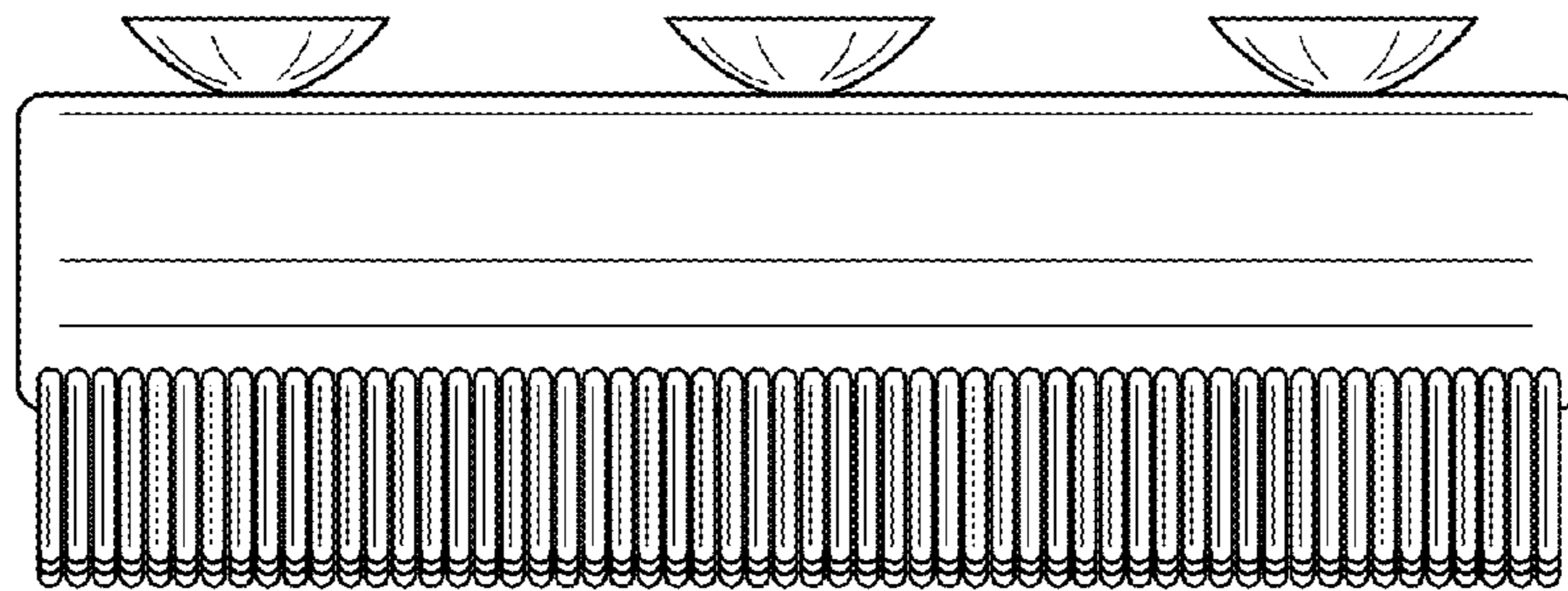


FIG. 4

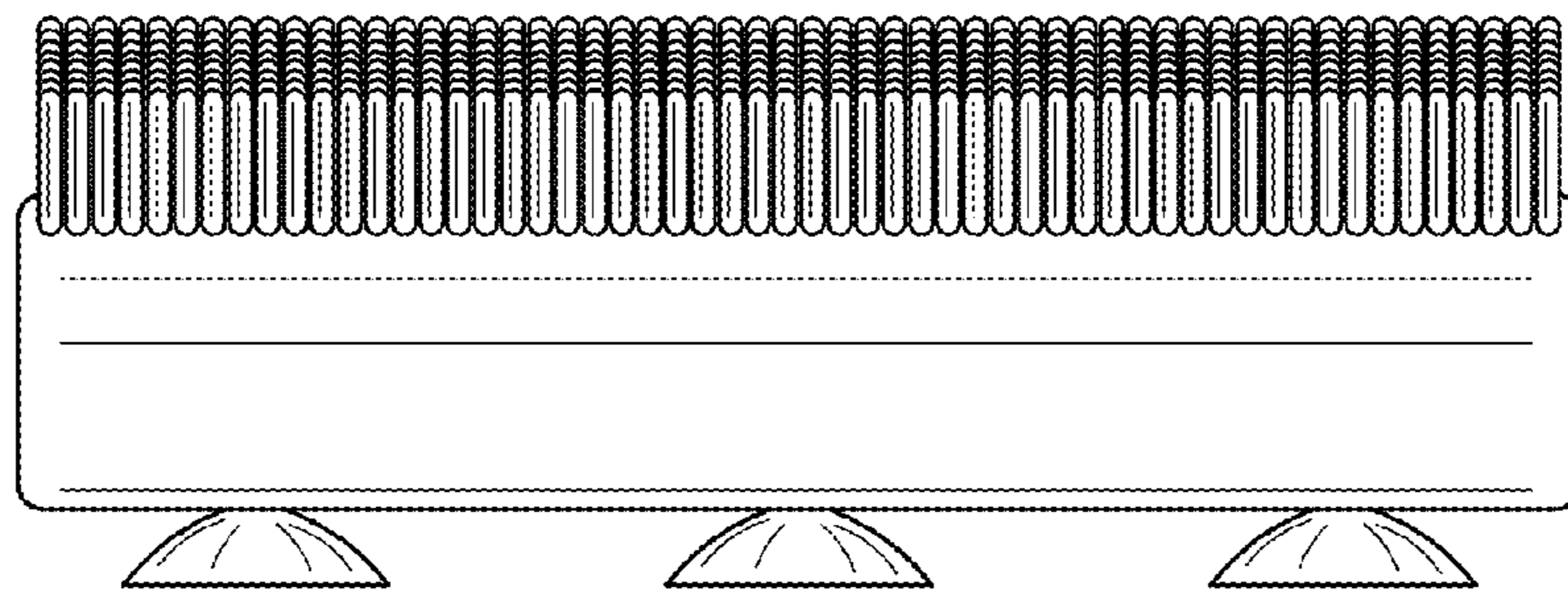


FIG. 5

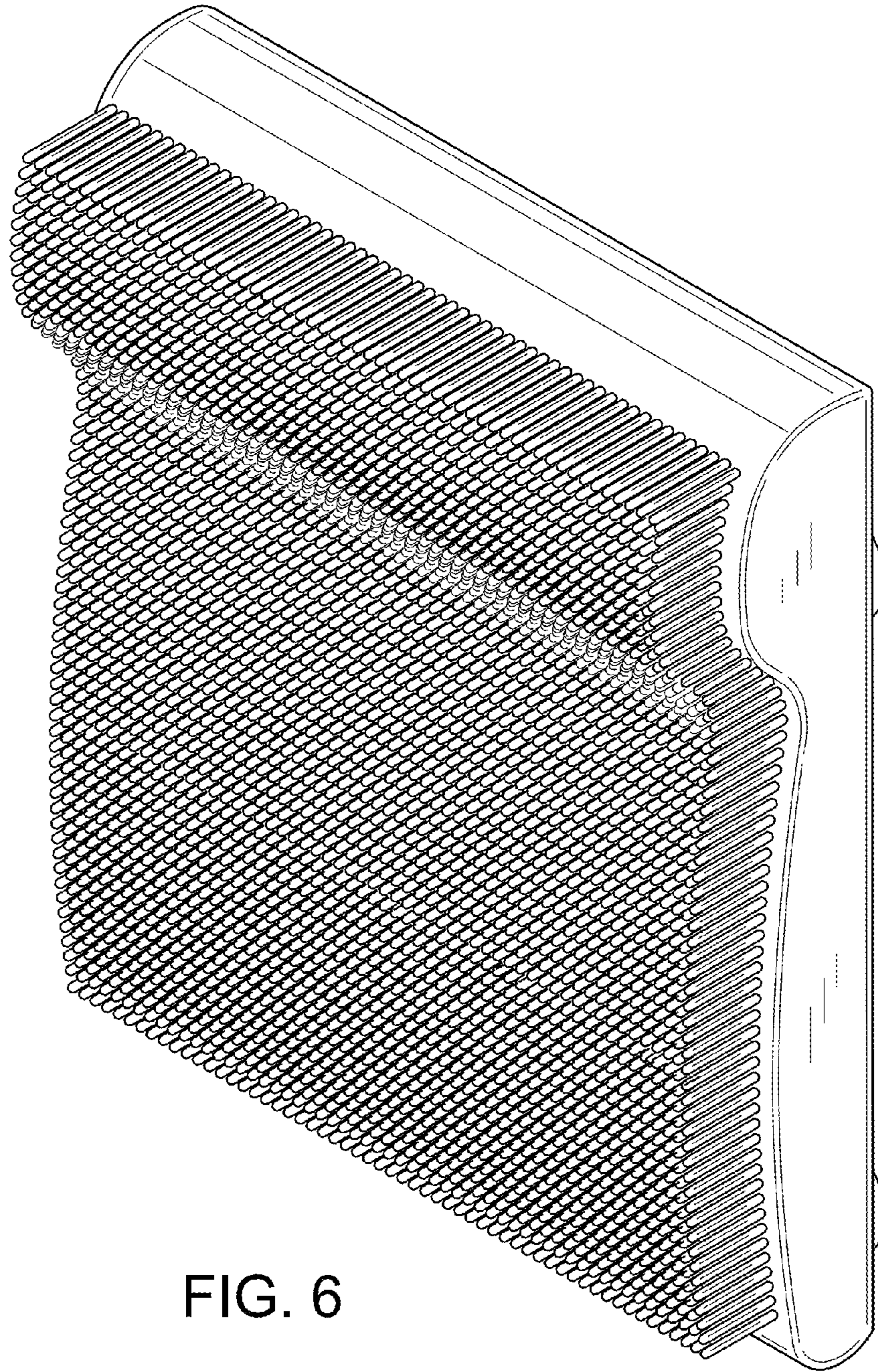


FIG. 6