



US00D721849S

(12) **United States Design Patent**  
**Monroe**

(10) **Patent No.:** **US D721,849 S**  
(45) **Date of Patent:** **\*\* Jan. 27, 2015**

- (54) **JEWELRY RETAINER FOR HAIR**
- (71) Applicant: **Evangeline Sunday Monroe**, Miami, FL (US)
- (72) Inventor: **Evangeline Sunday Monroe**, Miami, FL (US)
- (\*\*) Term: **14 Years**
- (21) Appl. No.: **29/472,475**
- (22) Filed: **Nov. 12, 2013**

**Related U.S. Application Data**

- (62) Division of application No. 12/912,894, filed on Oct. 27, 2010, now abandoned.
- (51) **LOC (10) Cl.** ..... **28-03**
- (52) **U.S. Cl.**  
USPC ..... **D28/39; D28/93**
- (58) **Field of Classification Search**  
USPC ..... D28/21-34, 39-43, 92, 93; 132/53-56, 132/201, 101, 126, 128-131, 144, 148, 219, 132/275-284  
See application file for complete search history.

(56) **References Cited**

**U.S. PATENT DOCUMENTS**

- 4,011,639 A \* 3/1977 Koleske ..... 24/561
- D284,318 S \* 6/1986 Nemoto ..... D28/93

- D391,020 S \* 2/1998 Tsai ..... D28/40
- 5,778,904 A \* 7/1998 Elsner ..... 132/275
- D432,718 S \* 10/2000 Sartena ..... D28/40
- D434,184 S \* 11/2000 Acker ..... D28/41
- 6,305,386 B1 \* 10/2001 Wochadlo ..... 132/275
- D622,004 S \* 8/2010 Umezu et al. .... D28/93
- D657,911 S \* 4/2012 Cirillo ..... D28/42

\* cited by examiner

*Primary Examiner* — Zenia Bennett

(74) *Attorney, Agent, or Firm* — The Concept Law Group, P.A.; Scott D. Smiley; Mark C. Johnson

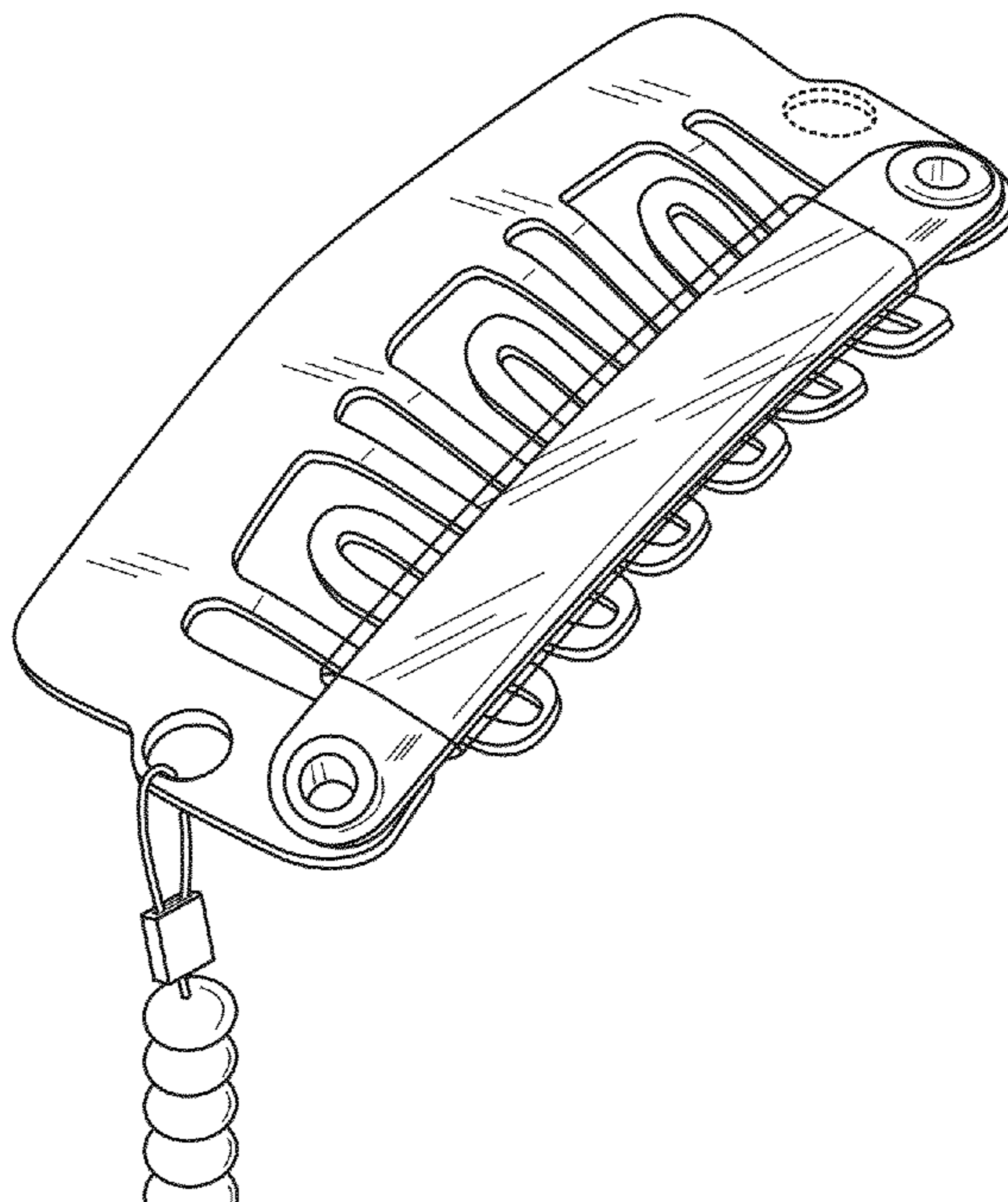
(57) **CLAIM**

The ornamental design for a jewelry retainer for hair, as shown and described.

**DESCRIPTION**

FIG. 1 is a perspective top view of a jewelry retainer for hair in accordance with the present invention;  
 FIG. 2 is a top view of FIG. 1;  
 FIG. 3 is a bottom view of FIG. 1;  
 FIG. 4 is a overhead view of the comb of the retainer of FIG. 1;  
 FIG. 5 is a overhead view of the head of the retainer of FIG. 1;  
 FIG. 6 is an elevational left side view of FIG. 1; and,  
 FIG. 7 is an elevational right side view of FIG. 1.  
 The broken lines shown in the above figures depict an exemplary subject matter and form no part of the claimed design.

**1 Claim, 2 Drawing Sheets**



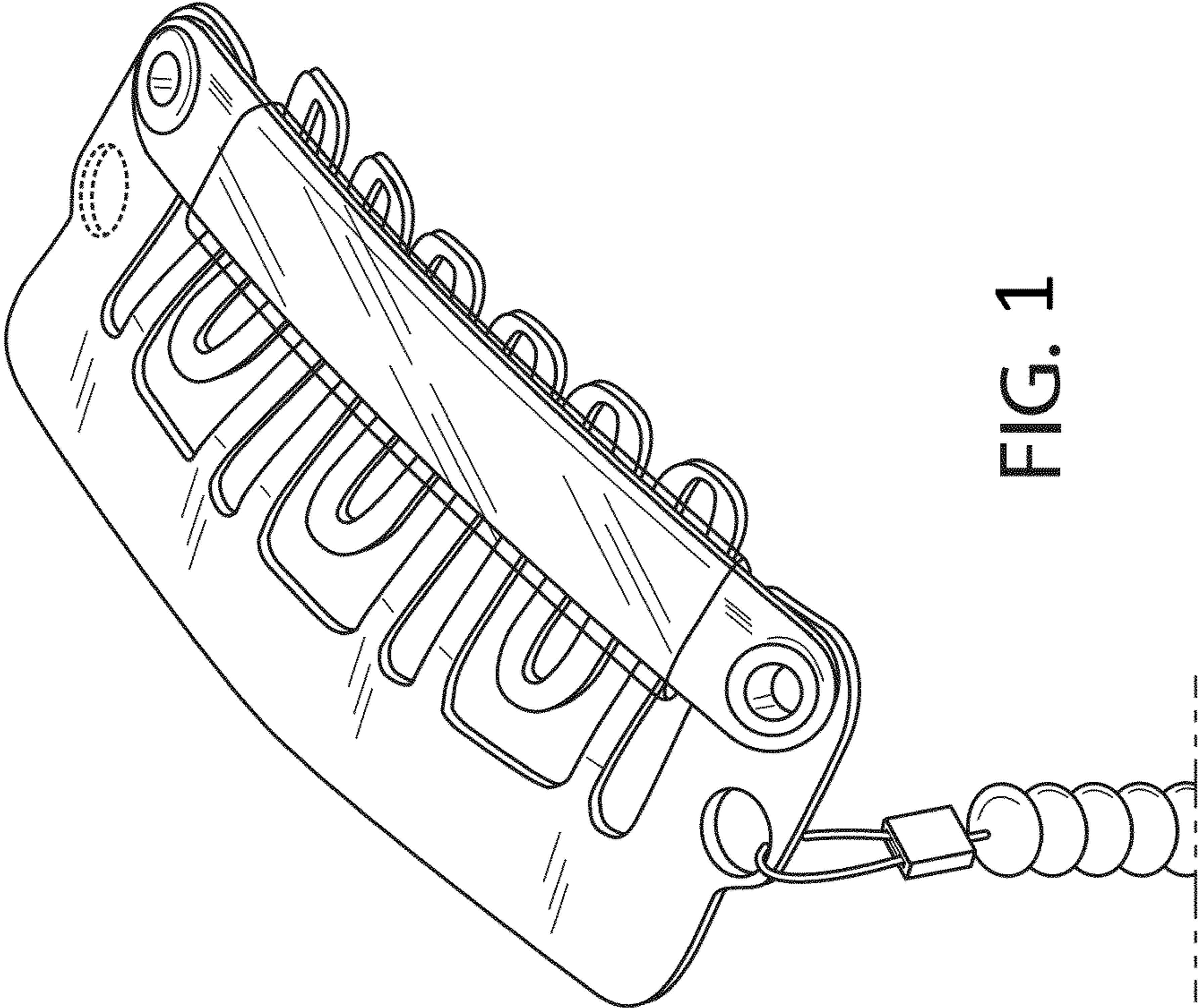


FIG. 1

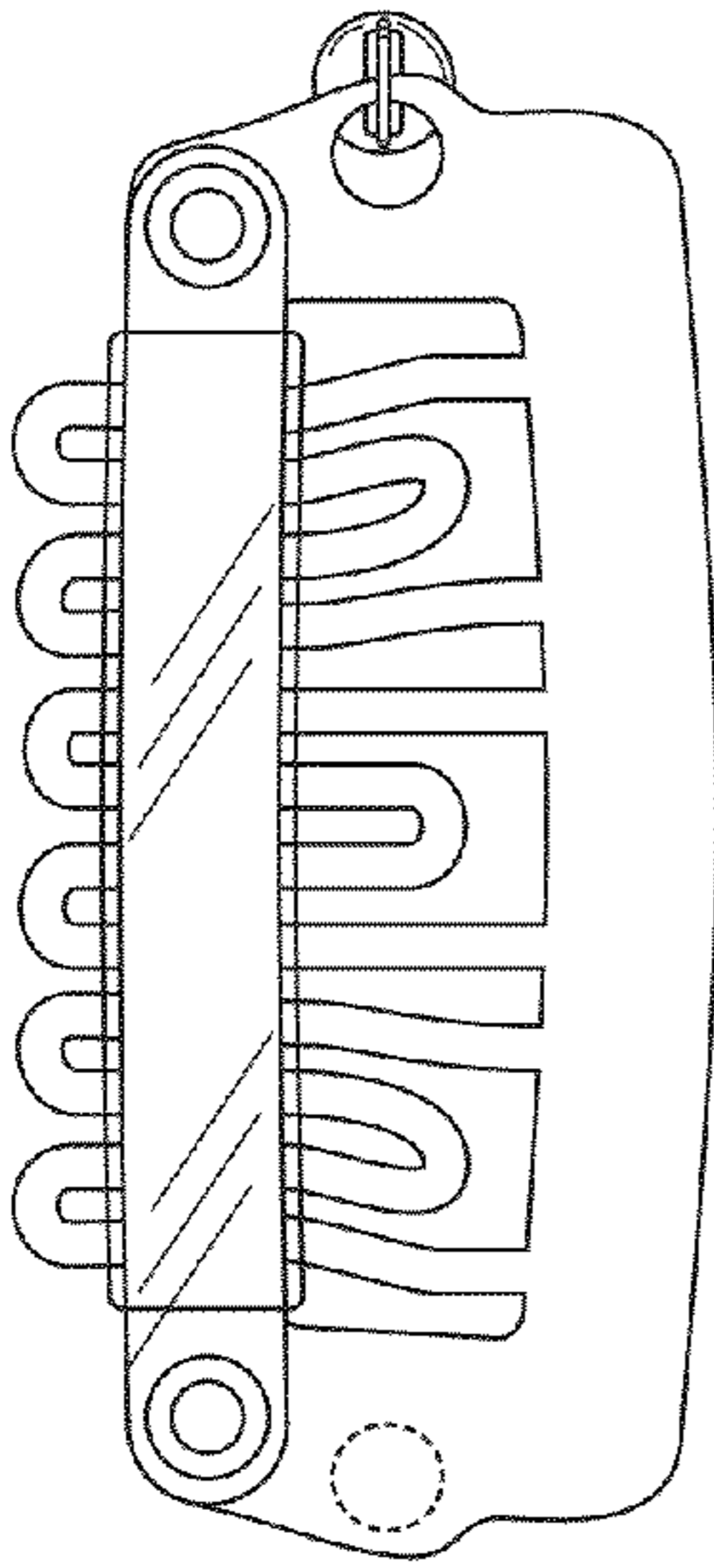


FIG. 2

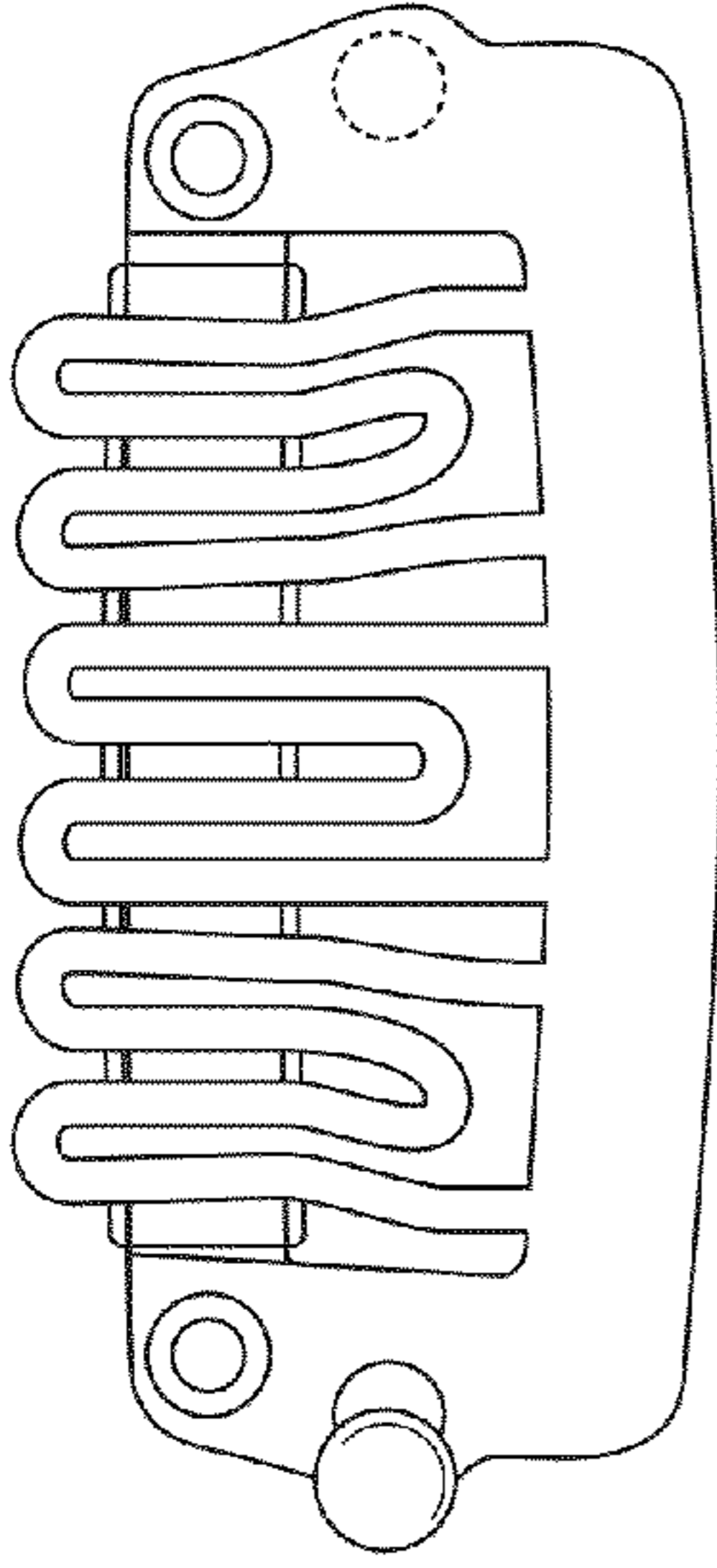


FIG. 3

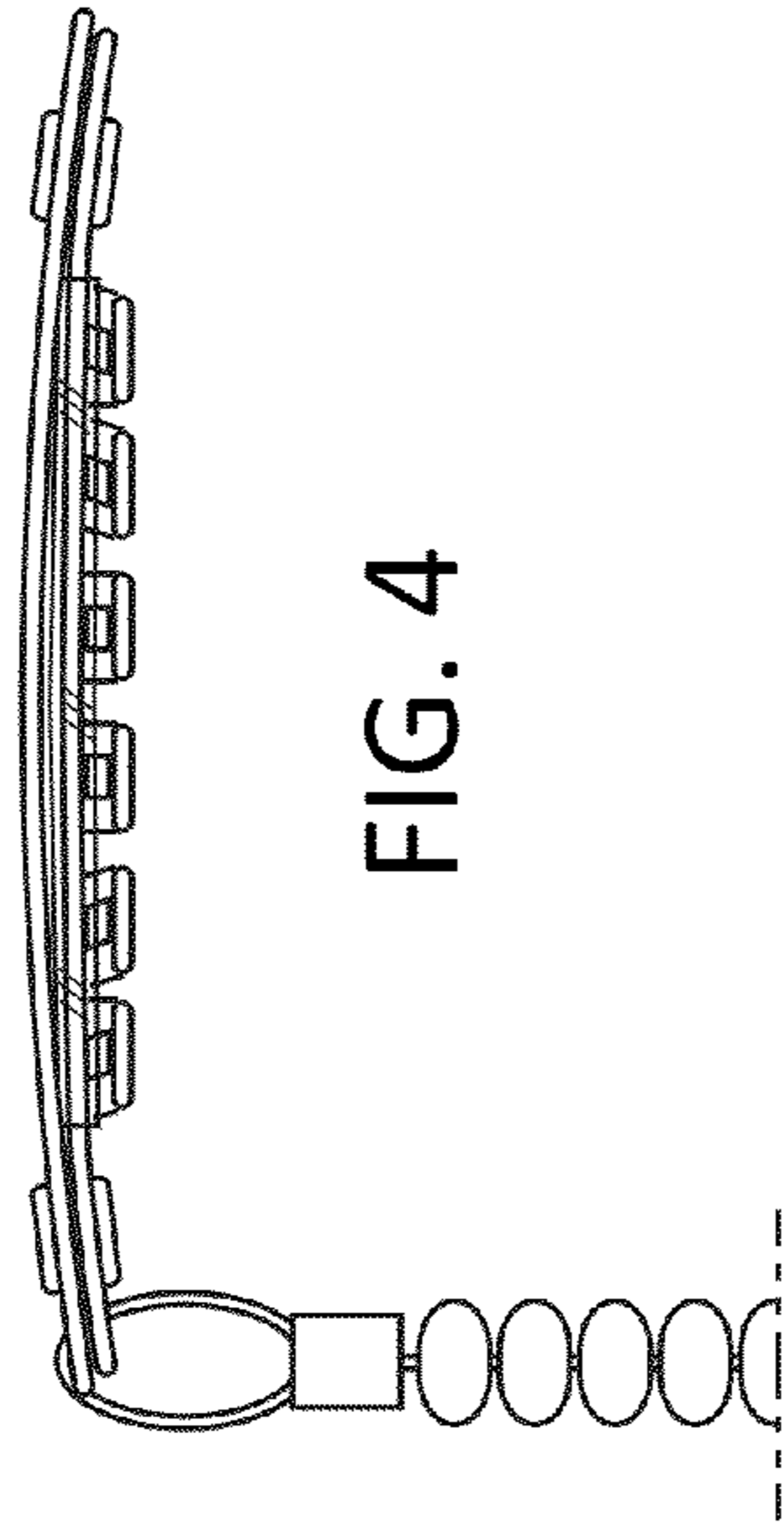


FIG. 4

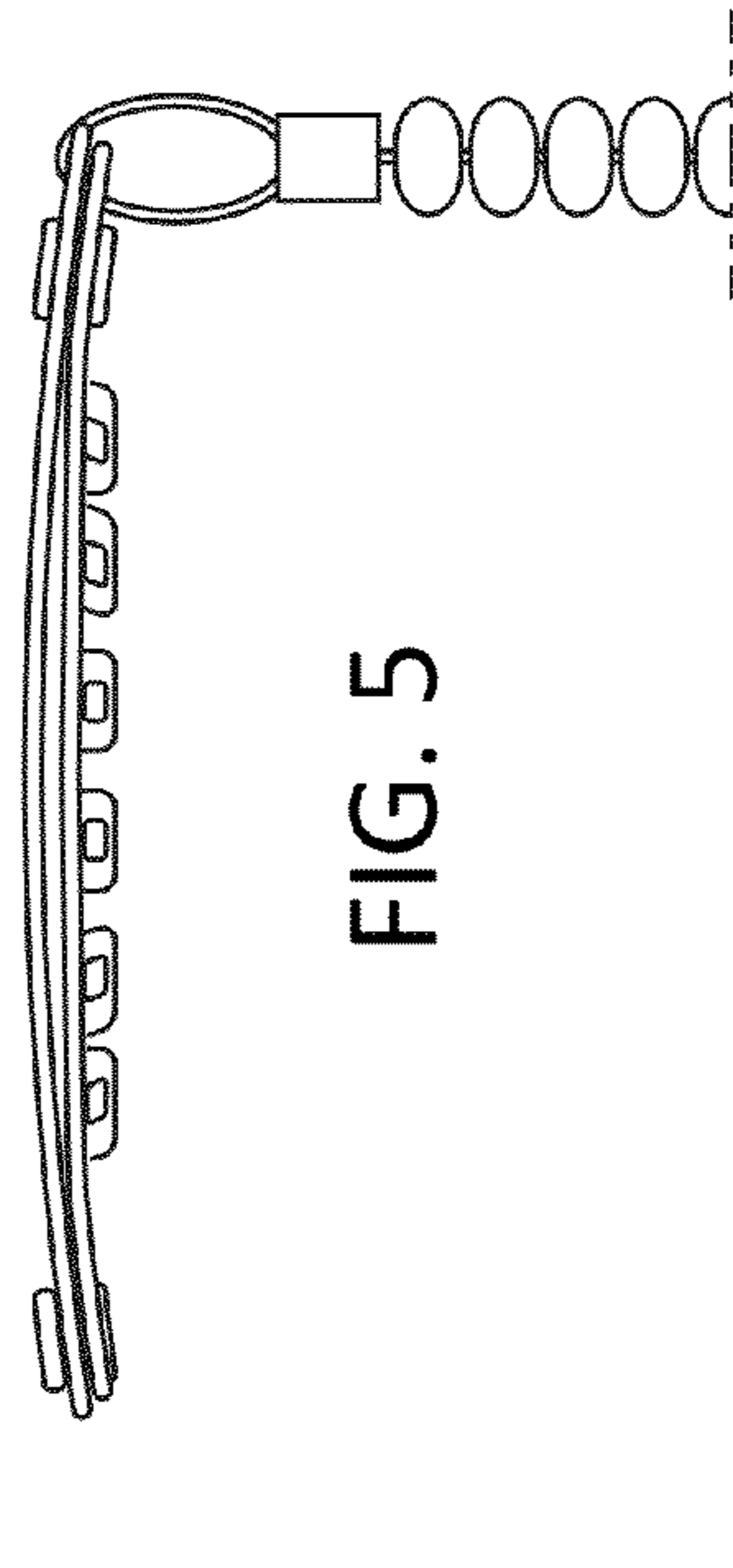


FIG. 5

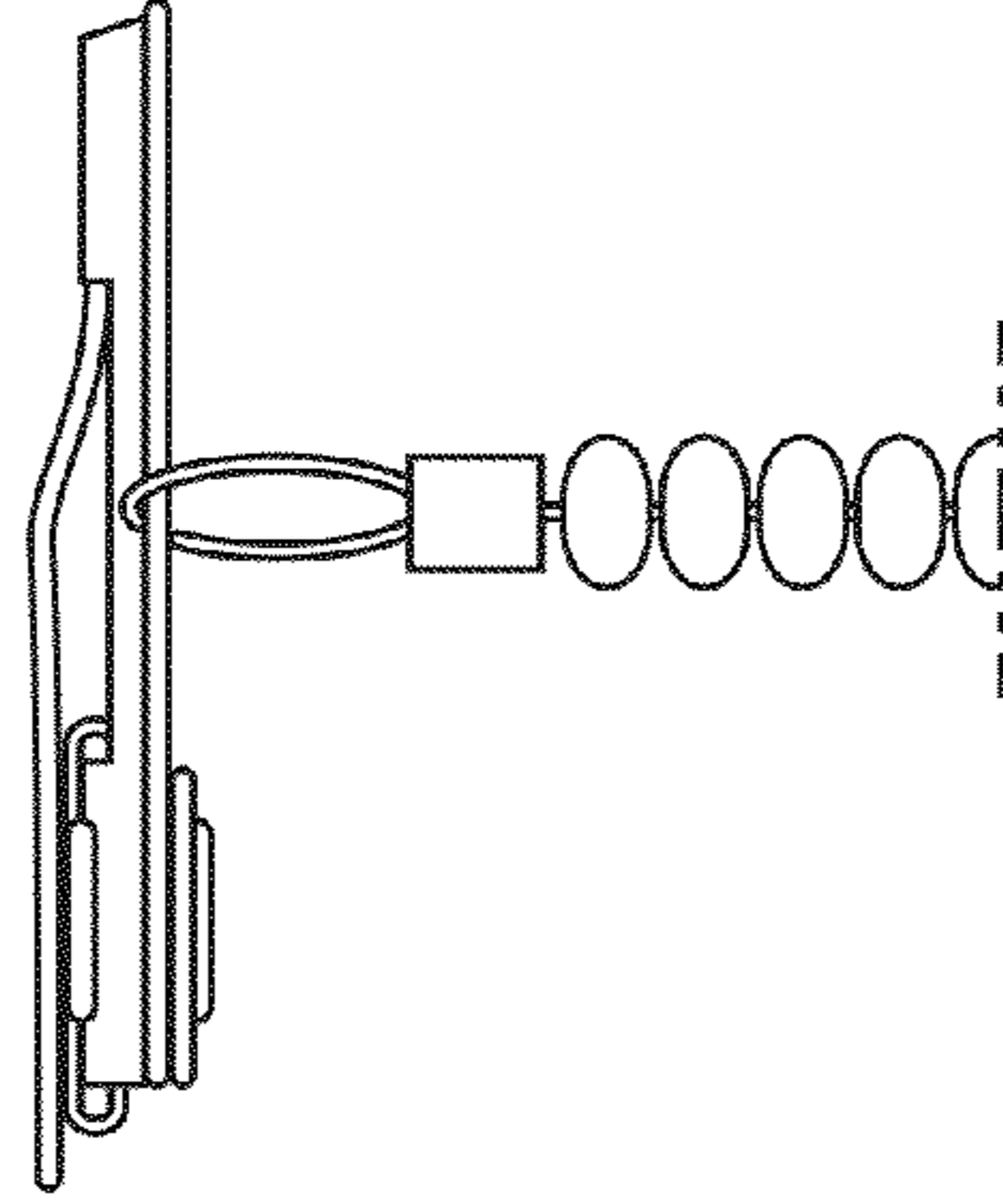


FIG. 6

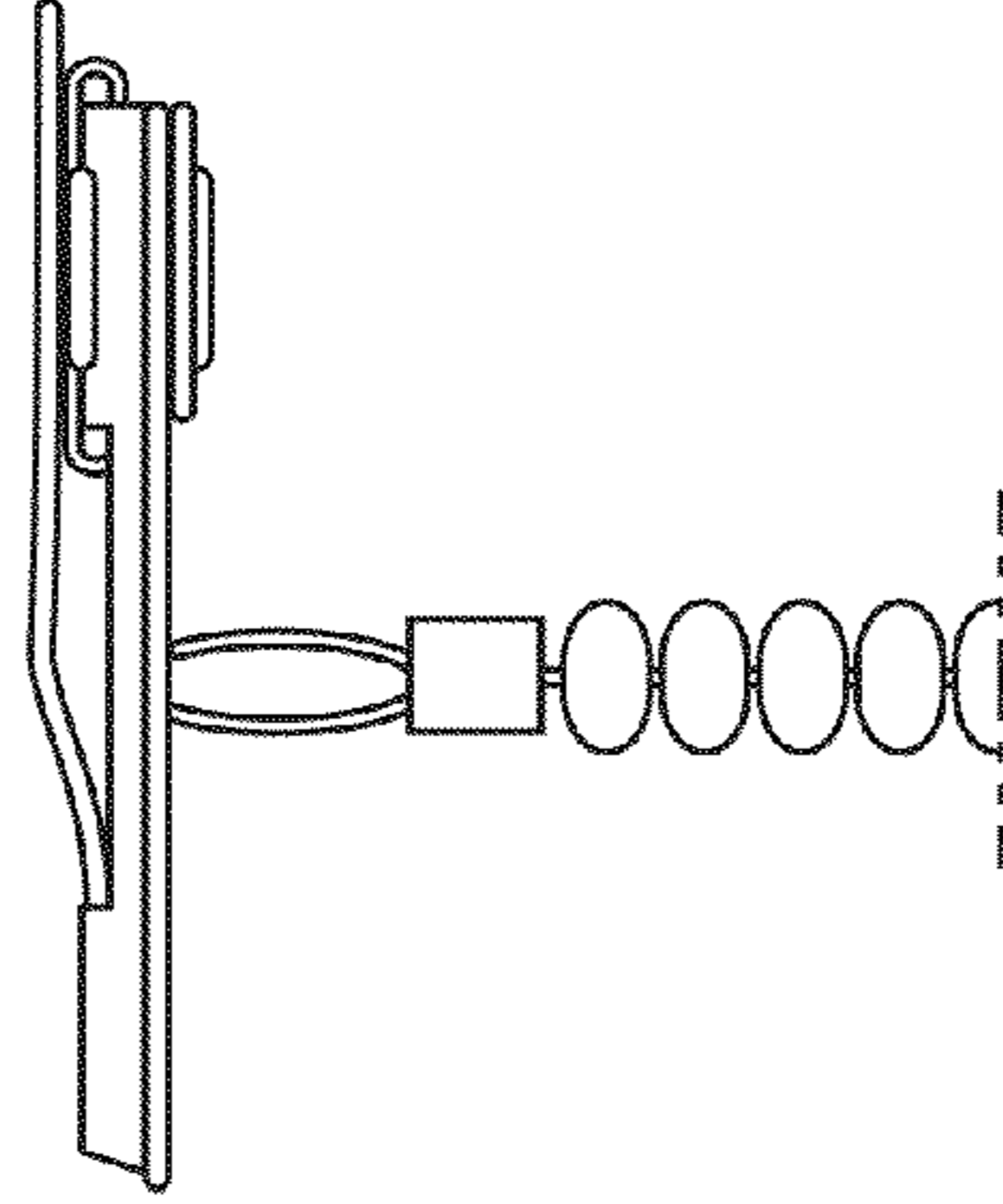


FIG. 7