



US00D721845S

(12) **United States Design Patent**
Lui et al.

(10) **Patent No.:** **US D721,845 S**
(45) **Date of Patent:** **** Jan. 27, 2015**

- (54) **LAMP**
- (71) Applicant: **Cree Hong Kong Limited**, Hong Kong (CN)
- (72) Inventors: **Nelson Man Hoi Lui**, Hong Kong (CN); **Wai Kwan Chan**, Hong Kong (CN); **Chi Hoi Mung**, Hong Kong (CN)
- (73) Assignee: **Cree Hong Kong Limited**, Shatin, Hong Kong (CN)
- (**) Term: **14 Years**
- (21) Appl. No.: **29/470,381**
- (22) Filed: **Oct. 21, 2013**

D610,292 S	2/2010	Yoshinobu et al.	
D629,151 S	12/2010	Zaderej et al.	
7,993,033 B2 *	8/2011	Moriyama et al.	362/296.01
D656,262 S	3/2012	Yoshinobu et al.	
D656,263 S	3/2012	Ogawa et al.	
D659,893 S	5/2012	Ding et al.	
D667,155 S	9/2012	Rashidi	
D672,899 S	12/2012	Van De Ven et al.	
D684,287 S *	6/2013	Rashidi	D26/74
D687,587 S *	8/2013	Rashidi	D26/74
D687,588 S *	8/2013	Rashidi	D26/74
D690,866 S *	10/2013	Rashidi	D26/74
D695,441 S *	12/2013	Lui et al.	D26/74
D695,941 S *	12/2013	Rashidi	D26/74
D698,067 S *	1/2014	Rashidi	D26/74
2010/0309671 A1	12/2010	Meyer et al.	
2011/0222291 A1	9/2011	Peng	
2013/0141918 A1 *	6/2013	Harbers et al.	362/294
2013/0322084 A1 *	12/2013	Ebisawa	362/269
2014/0003061 A1 *	1/2014	Chen et al.	362/311.02

Related U.S. Application Data

- (62) Division of application No. 29/432,687, filed on Sep. 19, 2012, now Pat. No. Des. 695,441.
- (51) **LOC (10) Cl.** **26-05**
- (52) **U.S. Cl.**
USPC **D26/74**
- (58) **Field of Classification Search**
USPC D26/74, 24, 72, 75, 76, 78, 79, 81, 82, D26/88, 89, 91, 113, 118, 119, 120, 138, D26/141, 142; 362/145, 146, 147, 148, 150, 362/151, 153, 153.1, 217.01, 223, 217.05, 362/217.07, 217.06, 217.15, 249.02, 362/296.07, 296.08, 311.02, 373, 800
See application file for complete search history.

* cited by examiner

Primary Examiner — Angela J Lee

(74) *Attorney, Agent, or Firm* — Burr & Brown, PLLC

(57) **CLAIM**

The ornamental design for a lamp, as shown and described.

DESCRIPTION

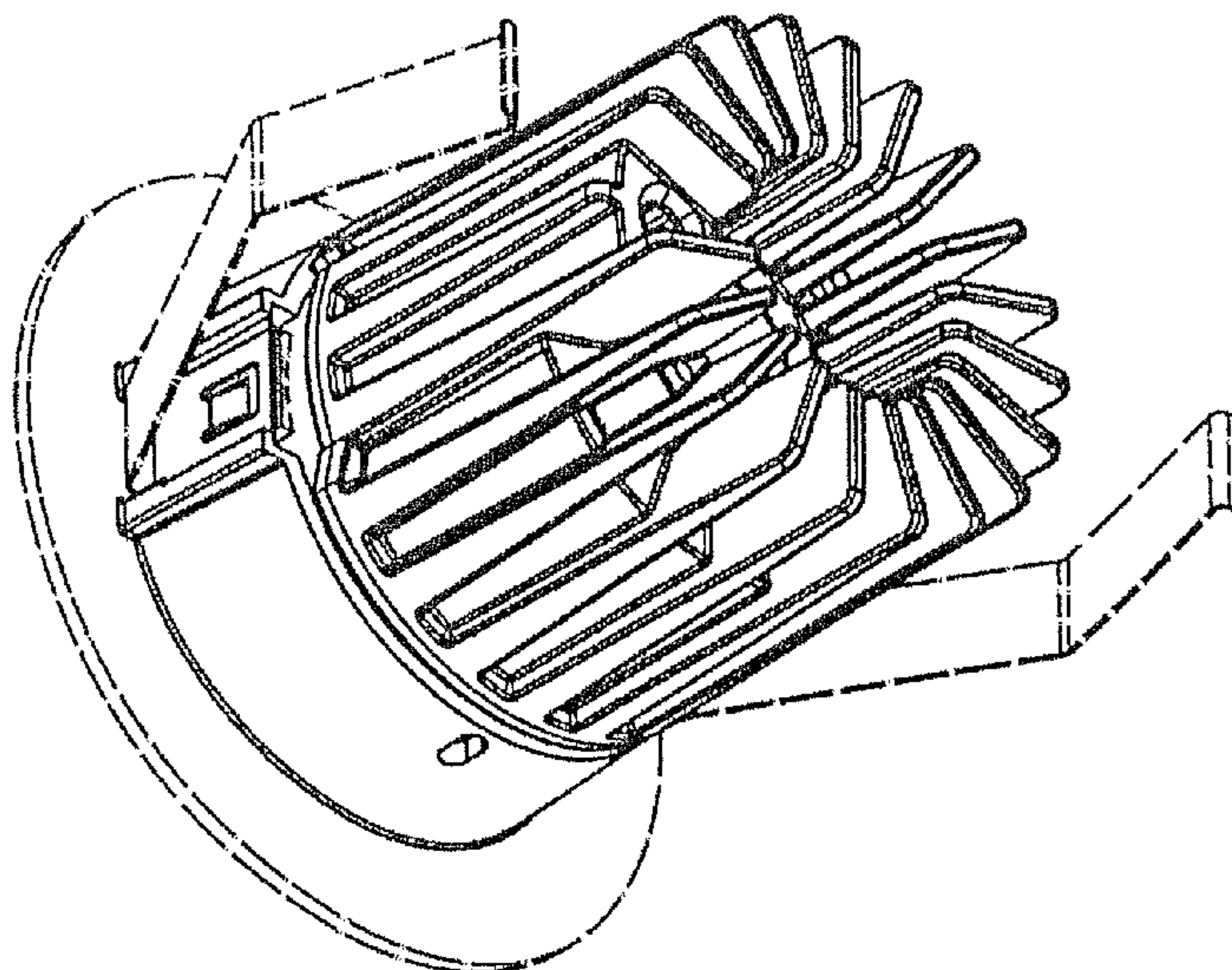
FIG. 1 is a bottom view of a lamp in accordance with my new design;
 FIG. 2 is a front view thereof;
 FIG. 3 is a back view thereof;
 FIG. 4 is a left side view thereof;
 FIG. 5 is a right side view thereof;
 FIG. 6 is a top view thereof;
 FIG. 7 is a bottom perspective view thereof; and,
 FIG. 8 is a top perspective view thereof.
 The broken lines are for illustrative purposes only and form no part of the claimed design or a specified embodiment thereof.

(56) **References Cited**

U.S. PATENT DOCUMENTS

D326,537 S	5/1992	Gattari
D591,894 S	5/2009	Flank
D597,247 S	7/2009	Meyer et al.
D610,290 S	2/2010	Yoshinobu et al.

1 Claim, 8 Drawing Sheets



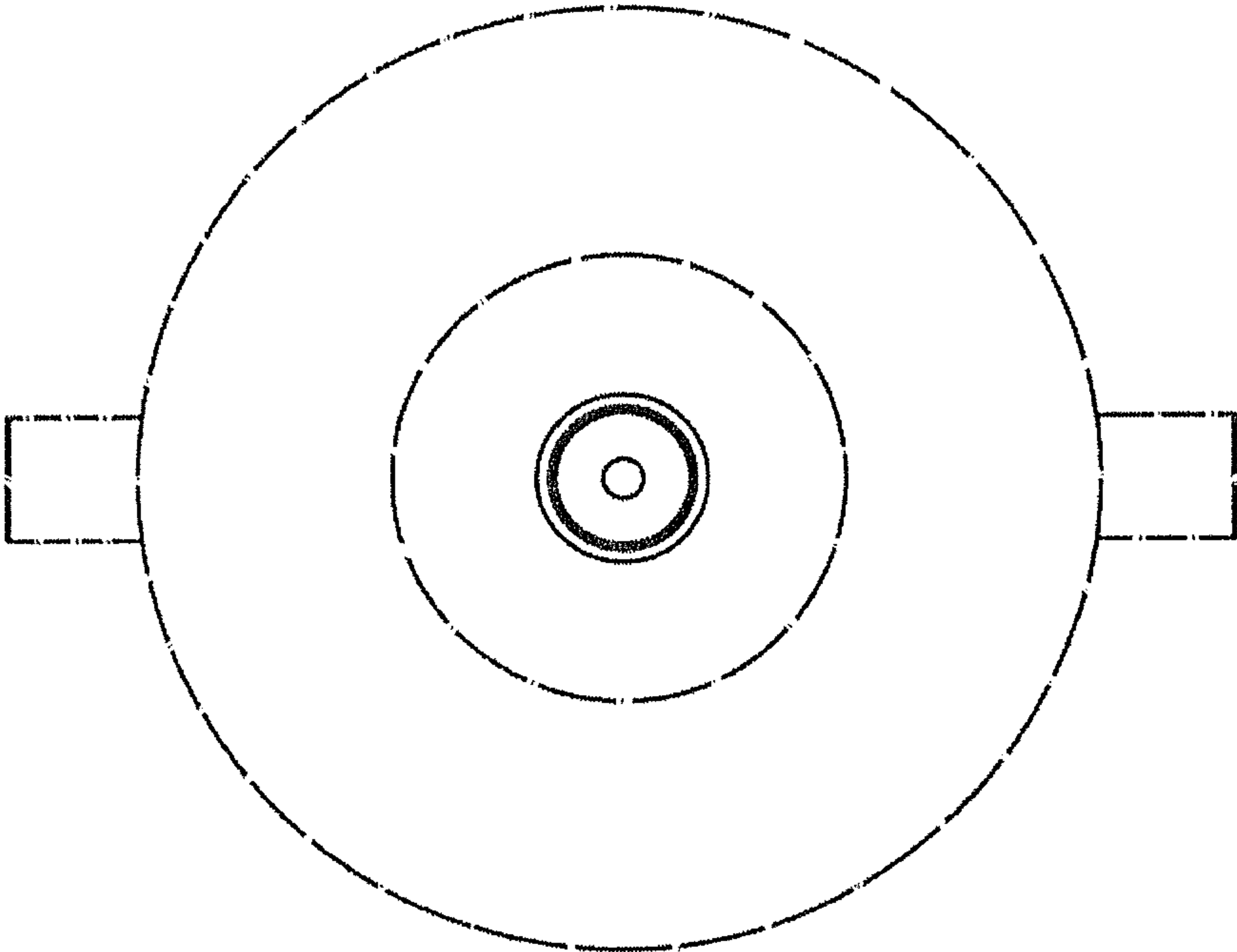


FIG. 1

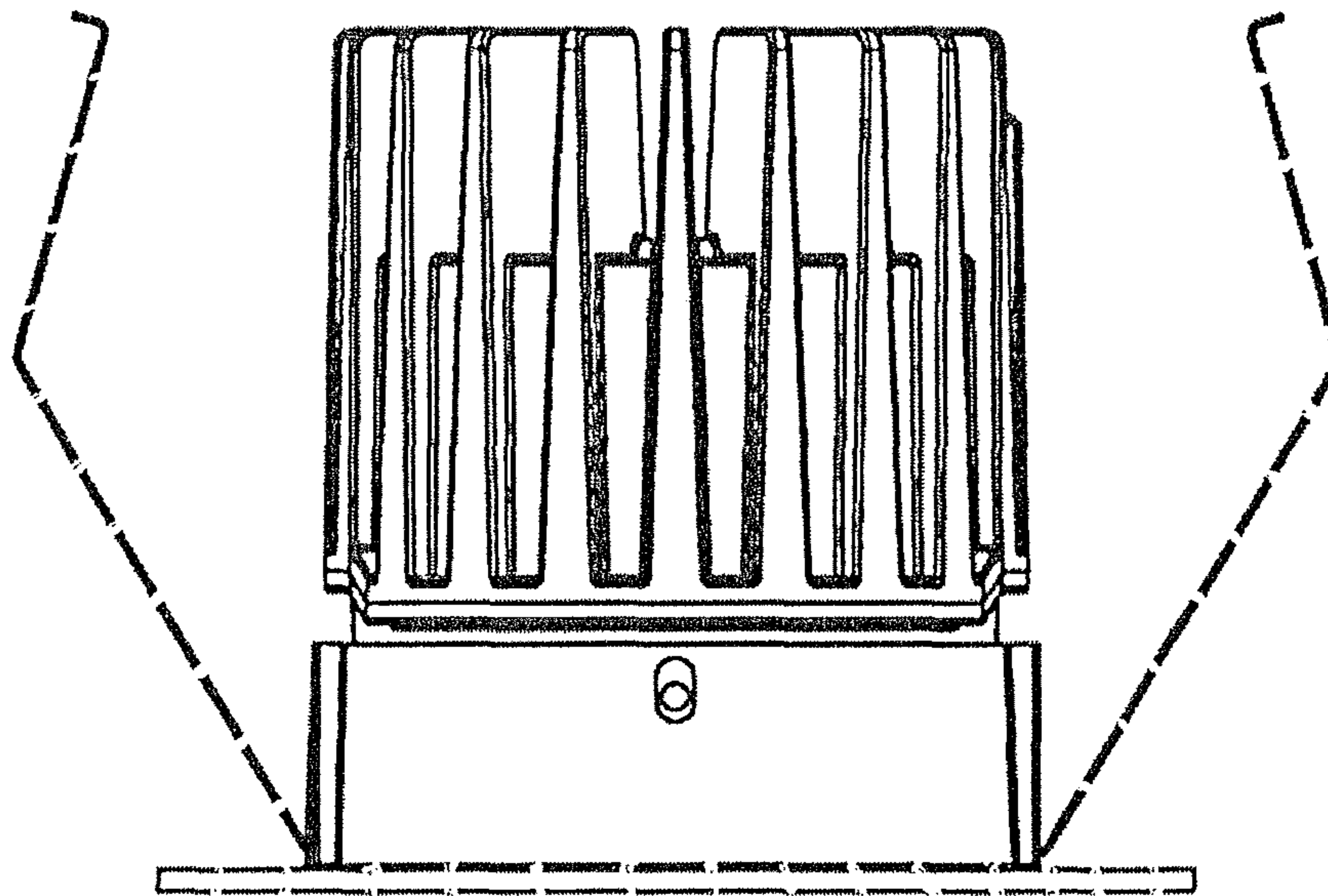


FIG. 2

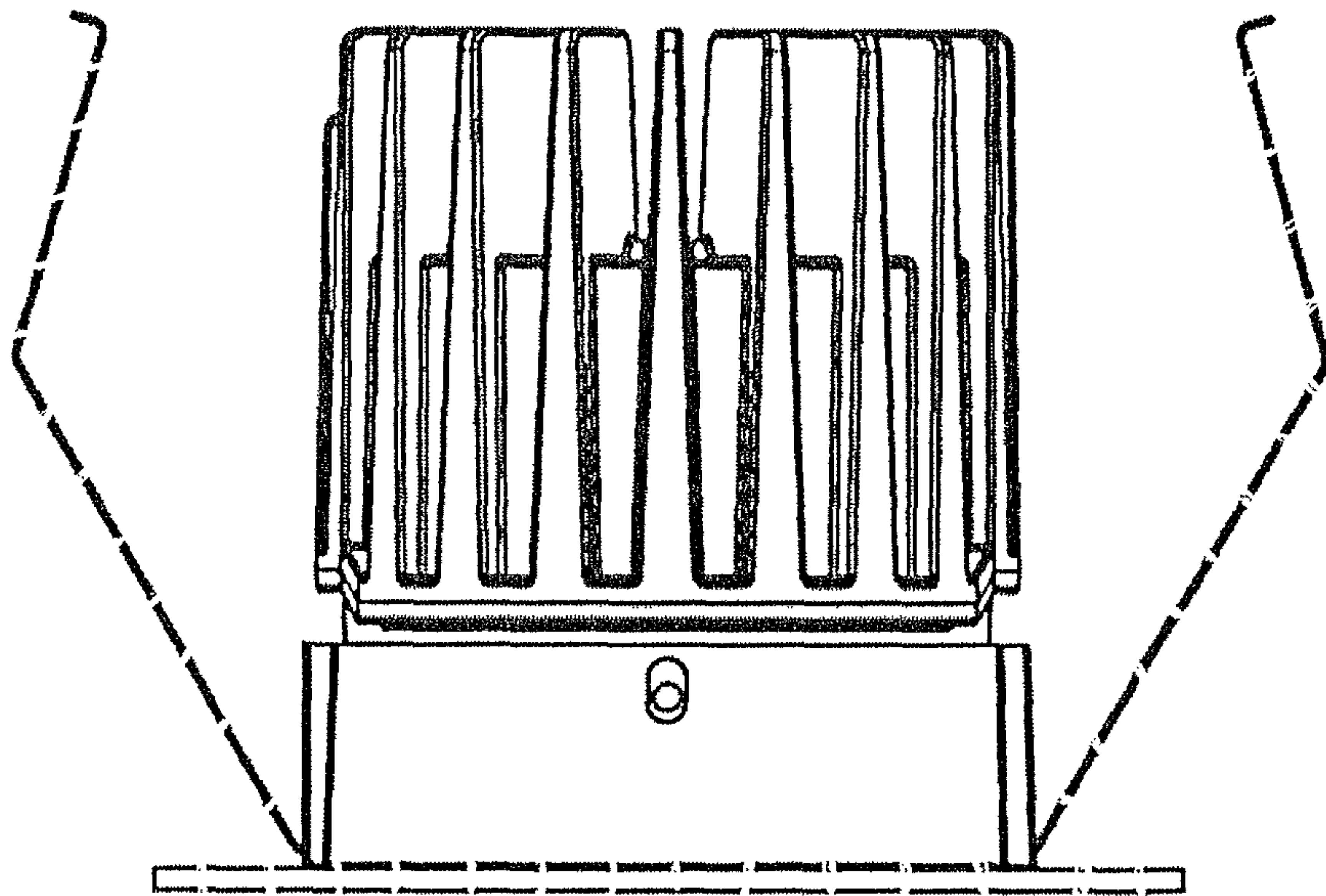


FIG. 3

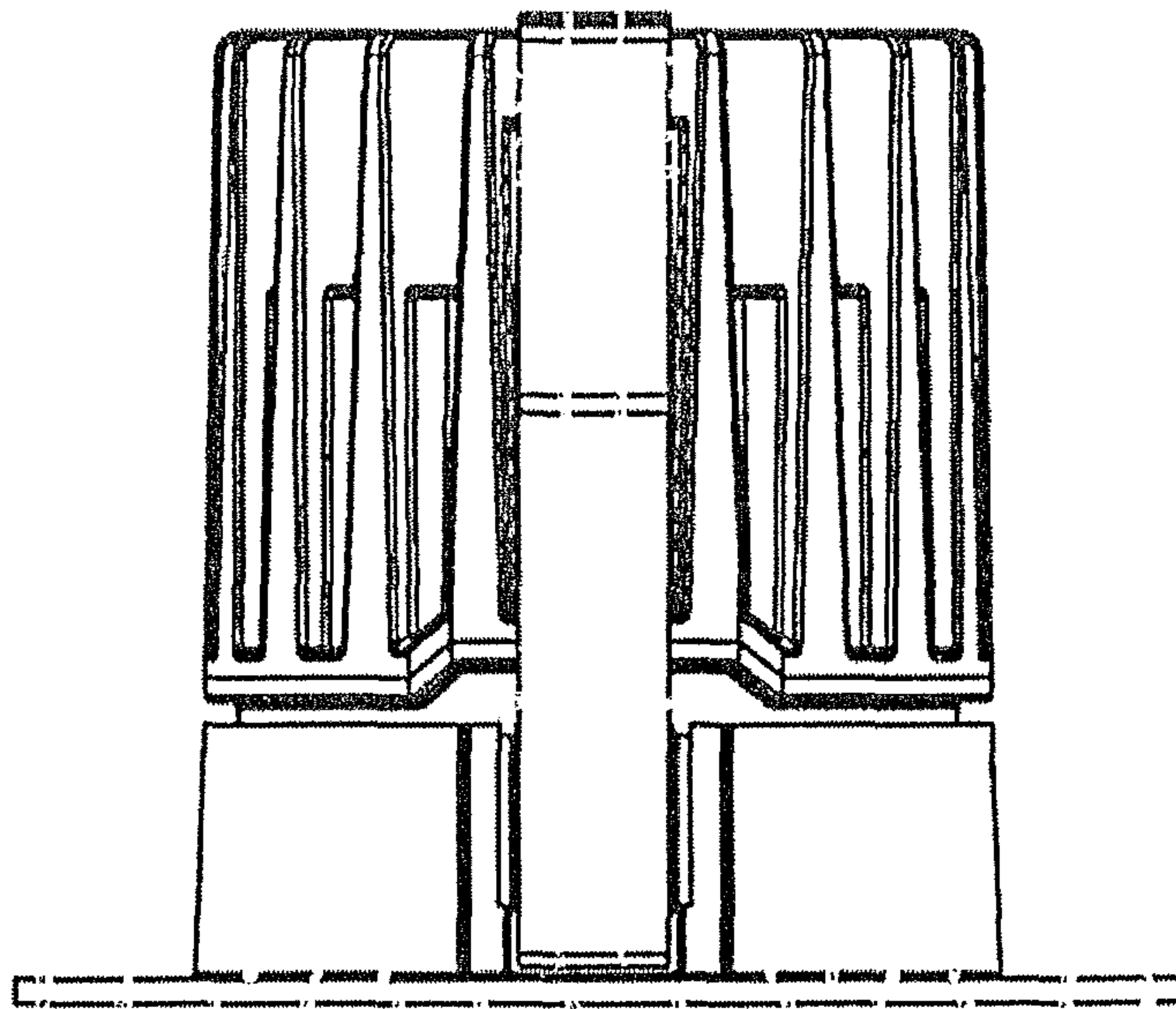


FIG. 4

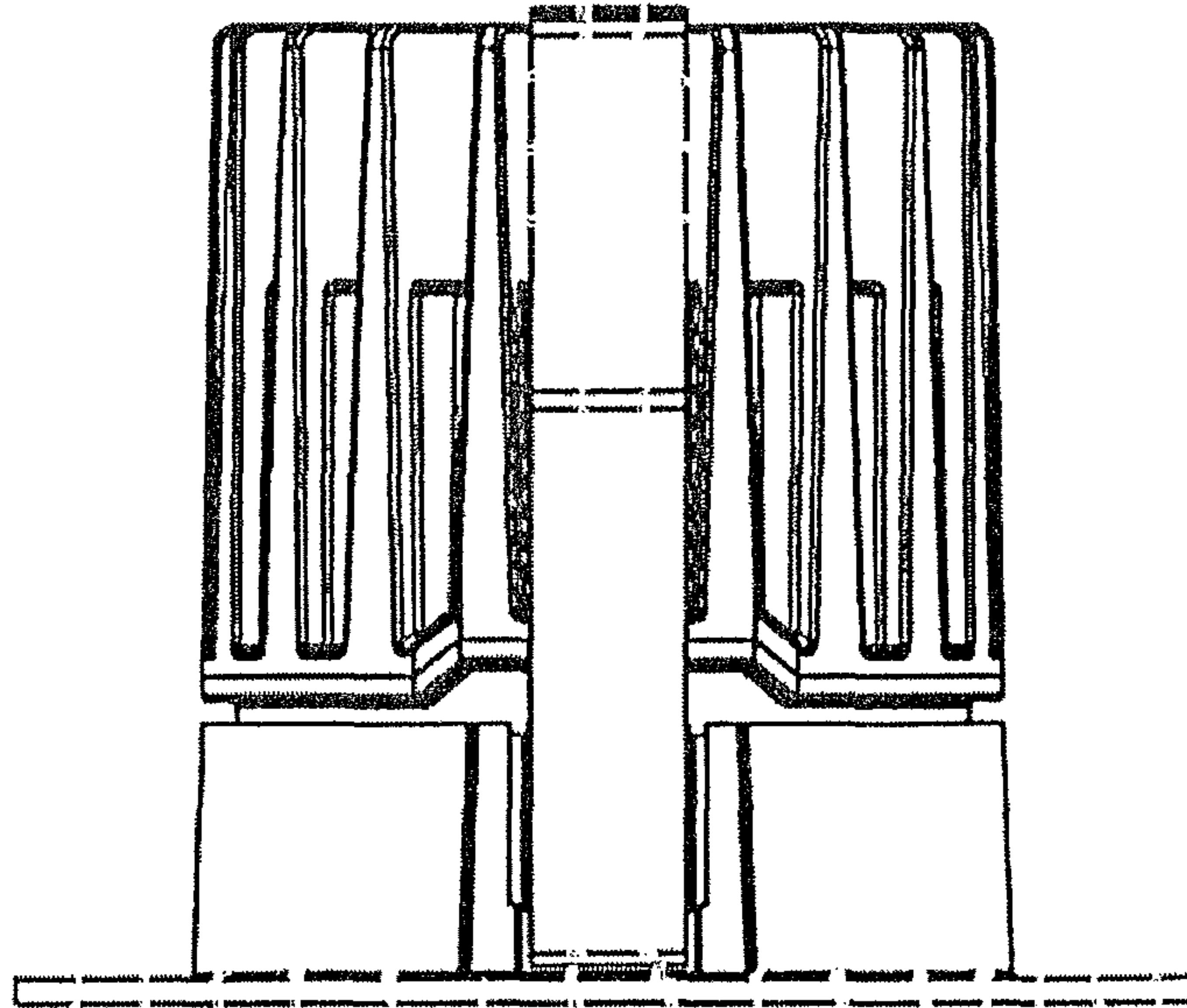


FIG. 5

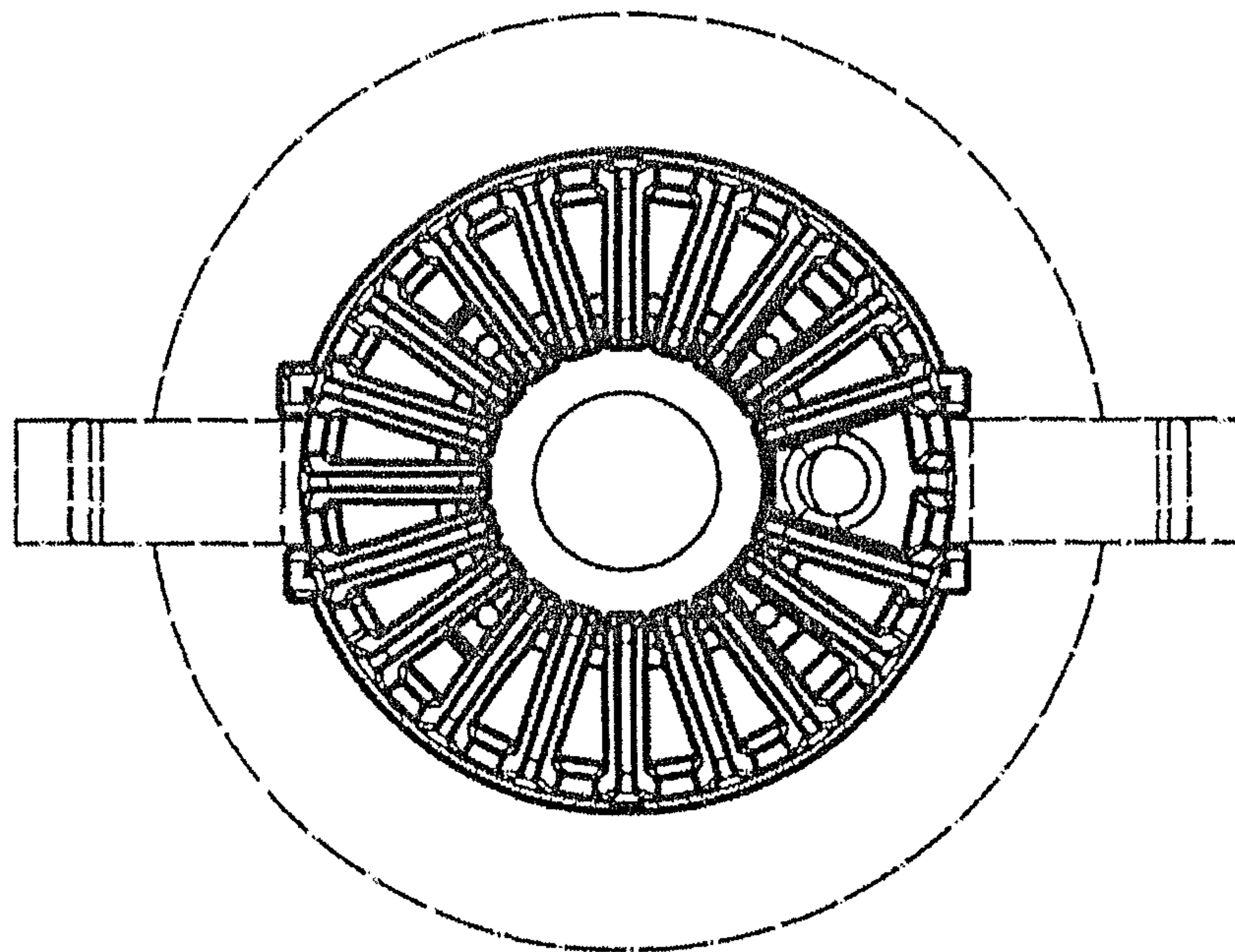


FIG. 6

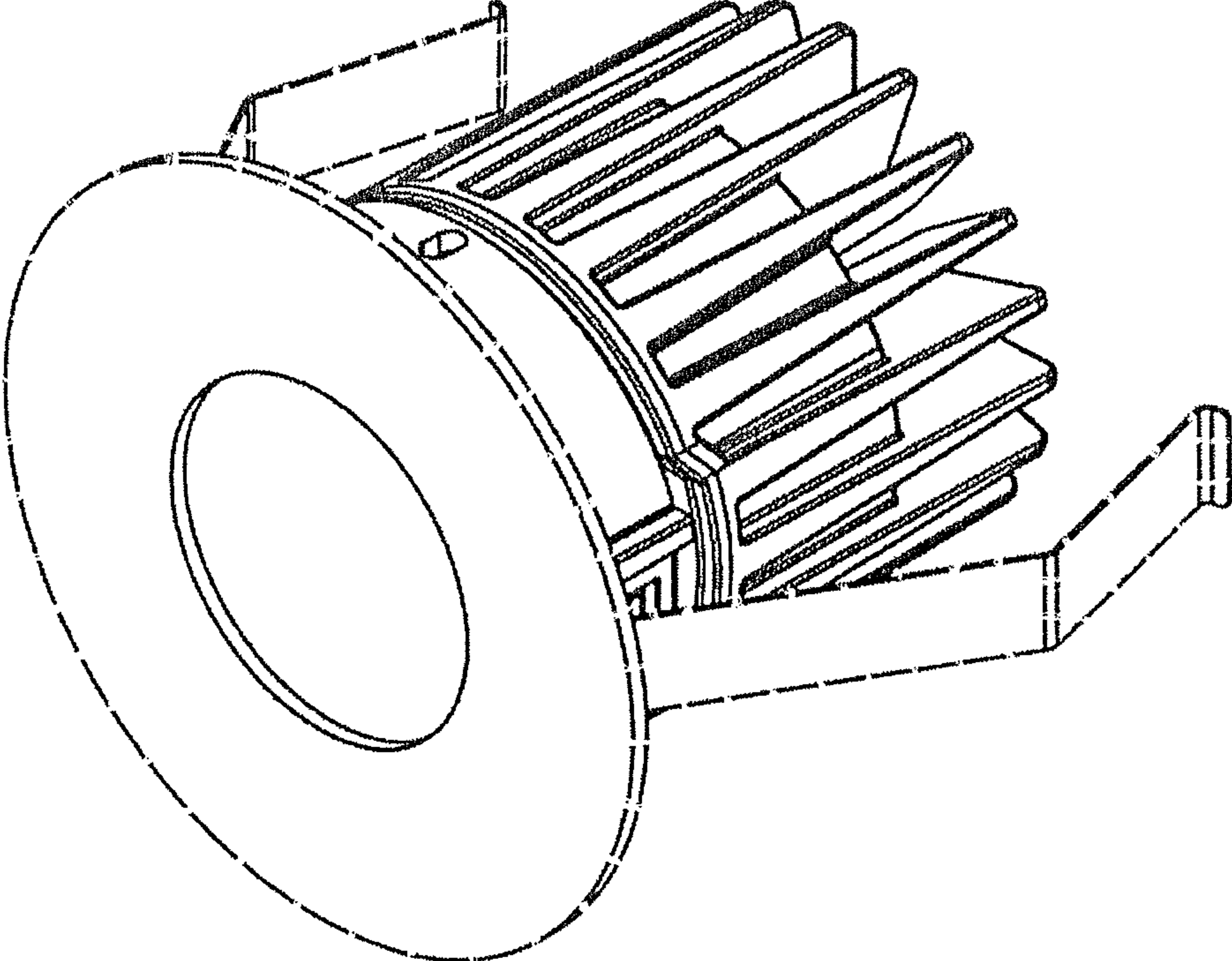


FIG. 7

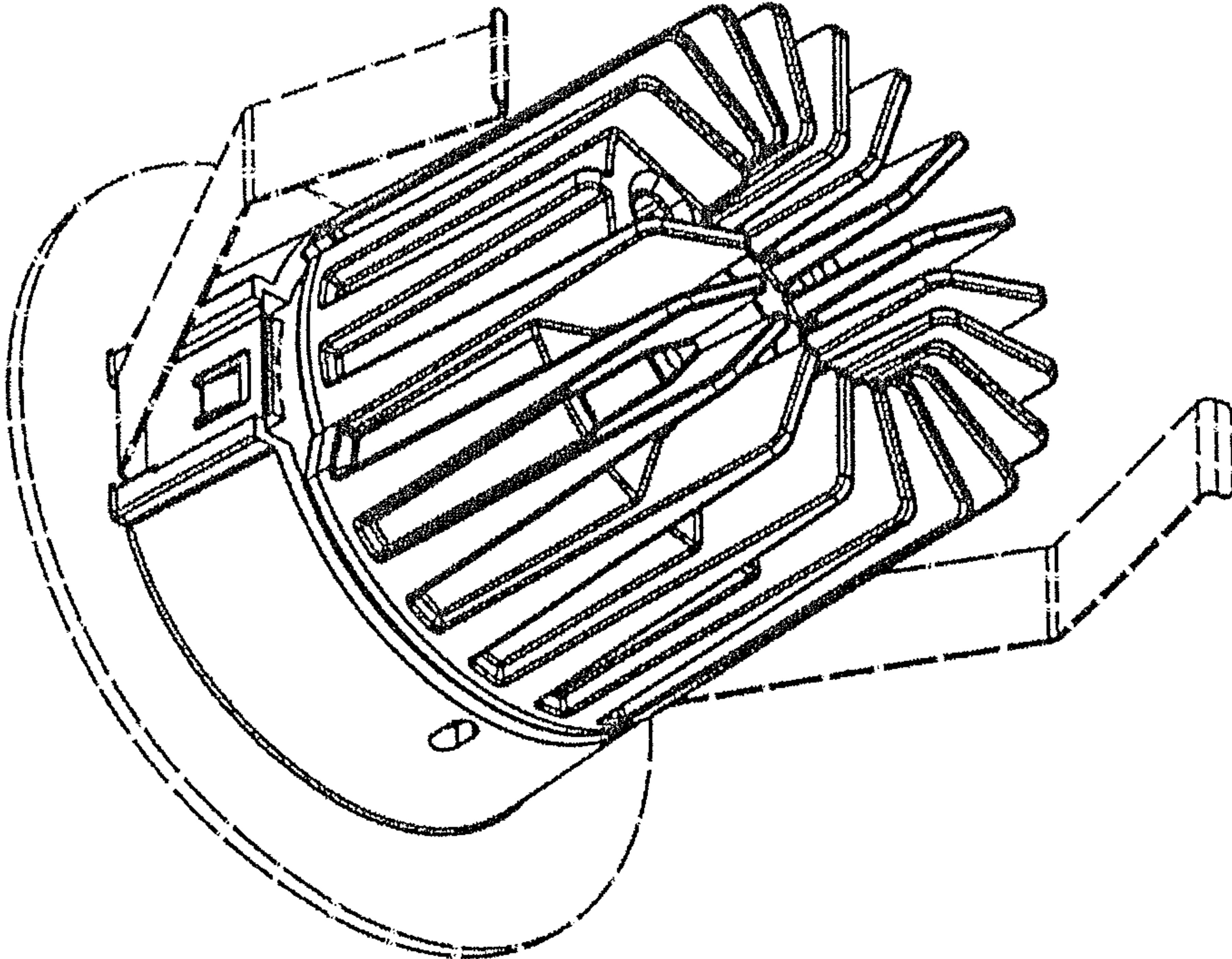


FIG. 8