



US00D721843S

(12) **United States Design Patent**
Kunzendorf

(10) **Patent No.:** **US D721,843 S**
(45) **Date of Patent:** **** Jan. 27, 2015**

(54) **FLASHLIGHT**

(71) Applicant: **LED Lenser Corp. Ltd.**, Yangjiang
(CN)

(72) Inventor: **Andre Kunzendorf**, Wuppertal (DE)

(73) Assignee: **LED Lenser Corp. Ltd.**, Guangdong
Province (CN)

(**) Term: **14 Years**

(21) Appl. No.: **29/453,935**

(22) Filed: **May 3, 2013**

(30) **Foreign Application Priority Data**

Nov. 6, 2012 (CN) 2012 3 0535248

(51) **LOC (10) Cl.** **26-02**

(52) **U.S. Cl.**
USPC **D26/49**

(58) **Field of Classification Search**
USPC D26/37, 38, 40, 41, 44, 45, 46, 49;
362/157, 158, 183, 184, 171-174,
362/194-196, 200-208
See application file for complete search history.

(56) **References Cited**

U.S. PATENT DOCUMENTS

D532,138 S * 11/2006 Wang et al. D26/49
D551,369 S * 9/2007 Mah D26/37
D554,281 S * 10/2007 Bushee et al. D26/37
D599,045 S * 8/2009 Castellucci et al. D26/37
D599,928 S * 9/2009 Shiu D26/49

D624,223 S * 9/2010 Kim D26/49
D625,448 S * 10/2010 Brown et al. D26/49
D627,030 S * 11/2010 Sellers D22/108
D641,511 S * 7/2011 Wang D26/46
D660,487 S * 5/2012 Wu D26/38
D667,577 S * 9/2012 Wu D26/49
D673,708 S * 1/2013 Yeh D26/46
D676,994 S * 2/2013 Lee D26/49
D687,995 S * 8/2013 Yeh D26/49
D698,961 S * 2/2014 Dalton D26/49

* cited by examiner

Primary Examiner — Ian Simmons

Assistant Examiner — Carissa C Fitts

(74) *Attorney, Agent, or Firm* — Alston & Bird LLP

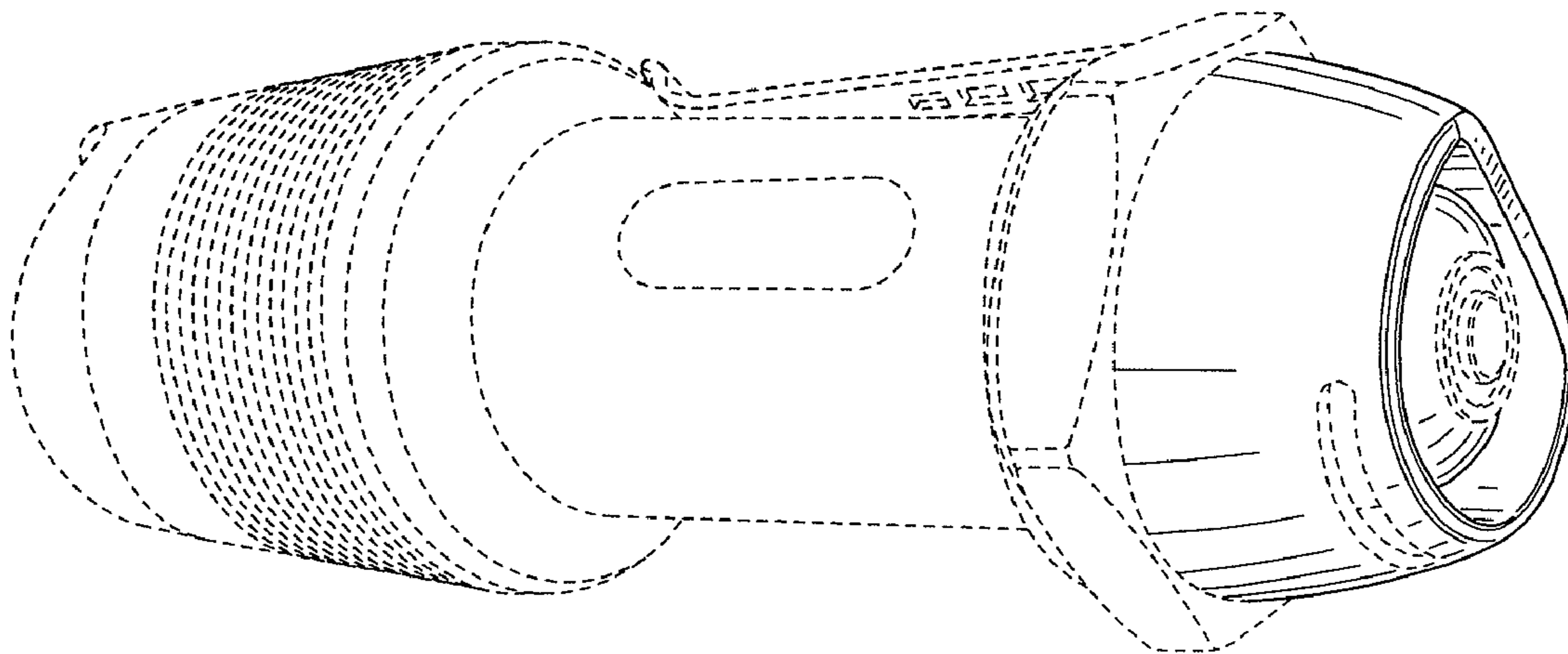
(57) **CLAIM**

I claim the ornamental design for a flashlight, as shown and described.

DESCRIPTION

FIG. 1 is a perspective view of a flashlight according to my new design;
FIG. 2 is another perspective view thereof;
FIG. 3 is a left side elevation view thereof;
FIG. 4 is a top plan view thereof;
FIG. 5 is a bottom plan view thereof;
FIG. 6 is a front elevation view thereof;
FIG. 7 is a rear elevation view thereof; and,
FIG. 8 is a partial right side elevation cross-section view thereof, taken along line 8-8 of FIG. 4.
Broken lines immediately adjacent shaded areas represent bounds of the claimed design. All other broken lines are directed to unclaimed features. The broken lines form no part of the claimed design.

1 Claim, 4 Drawing Sheets



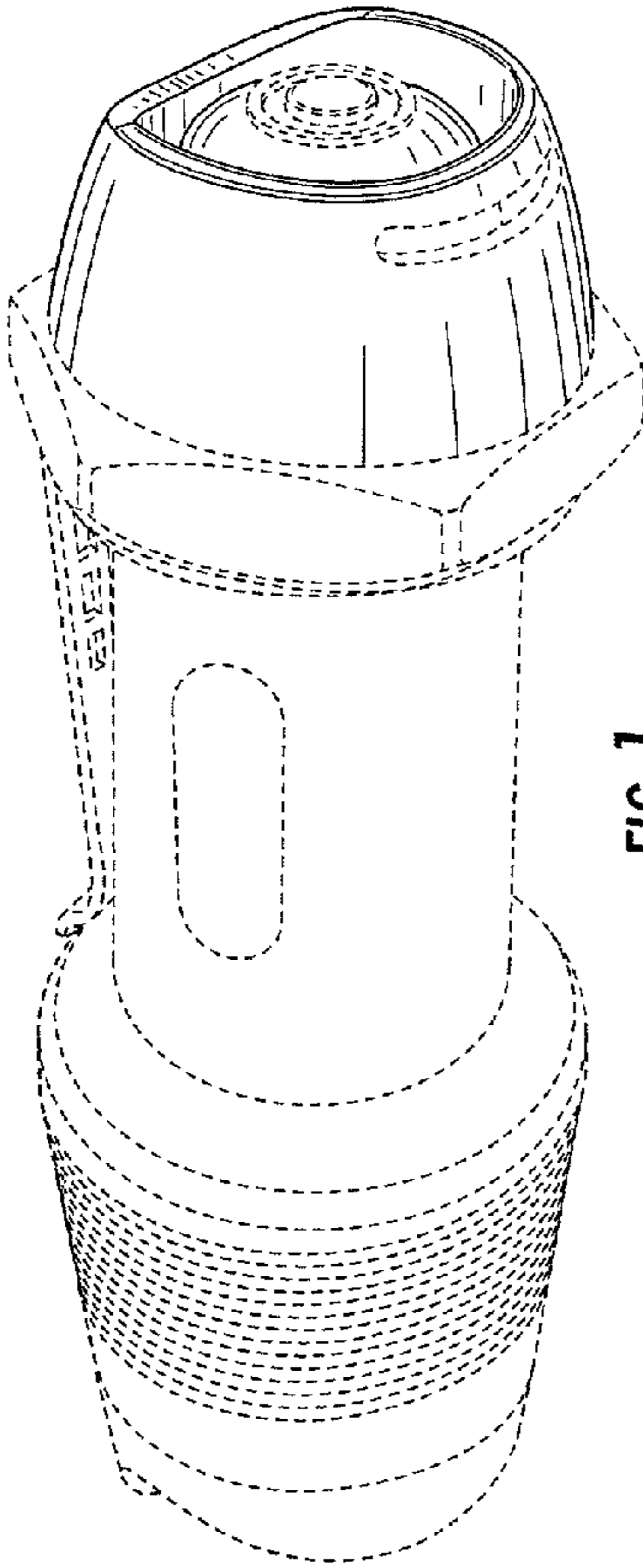


FIG. 1

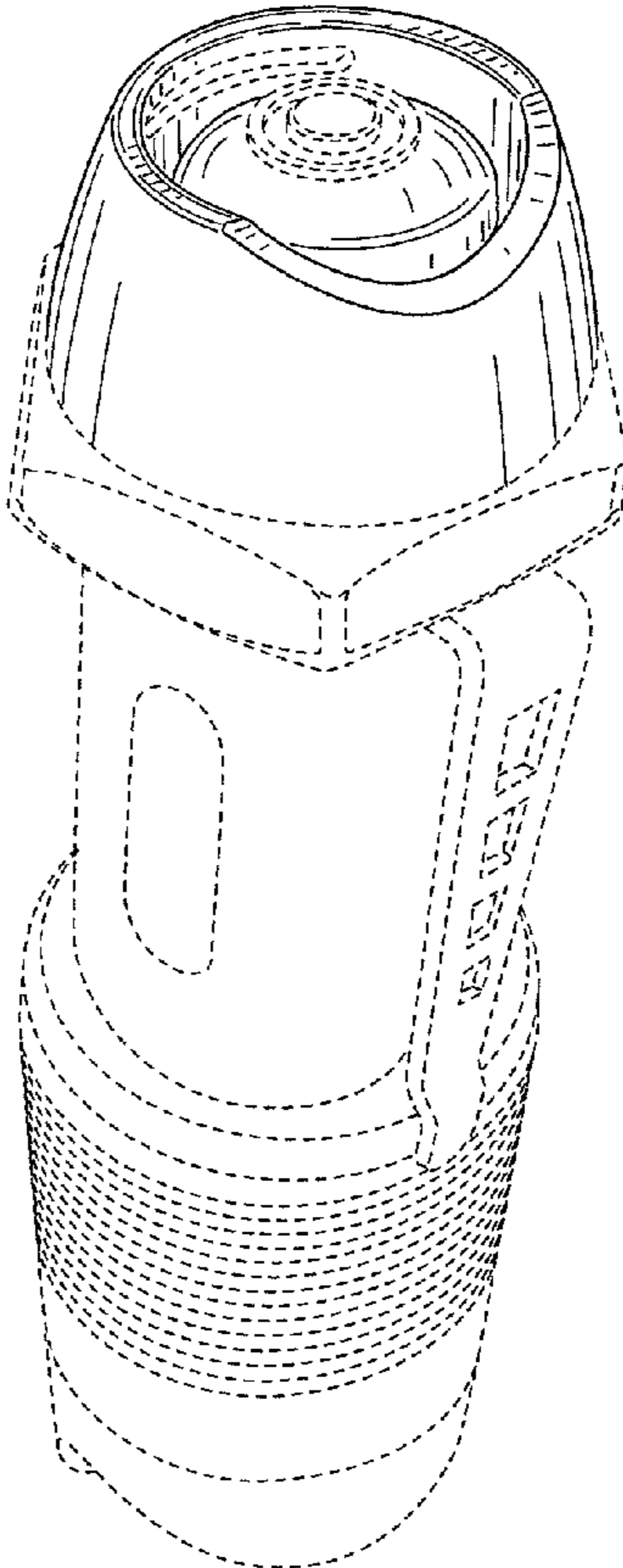


FIG. 2

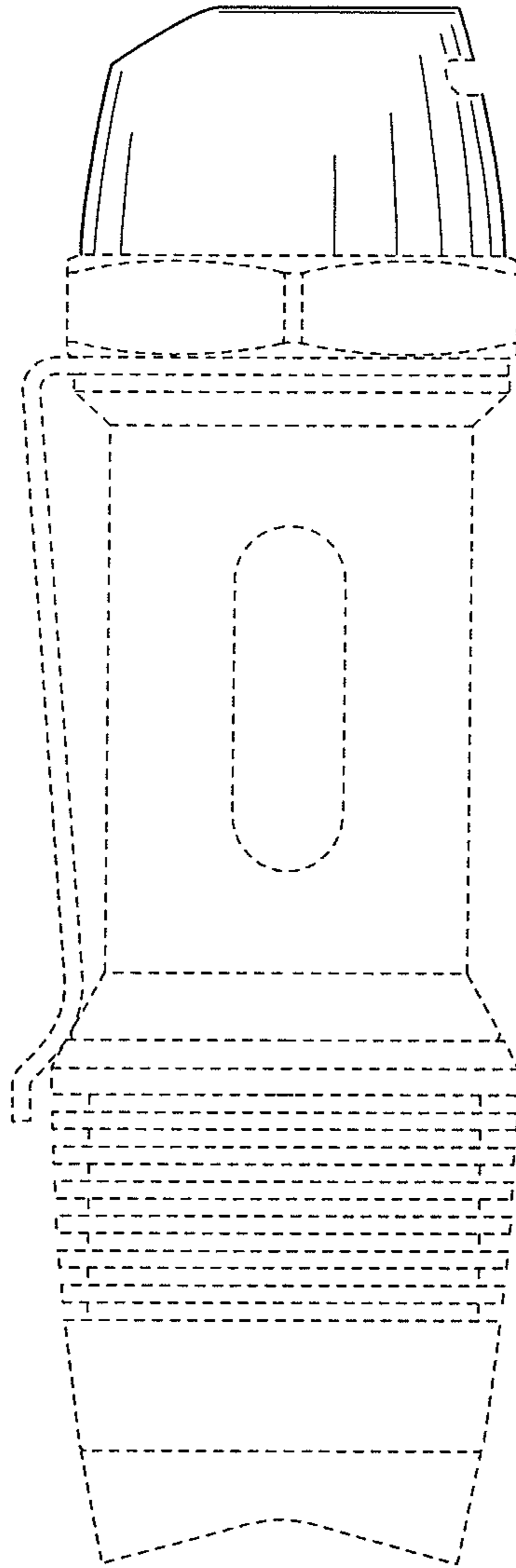


FIG. 3

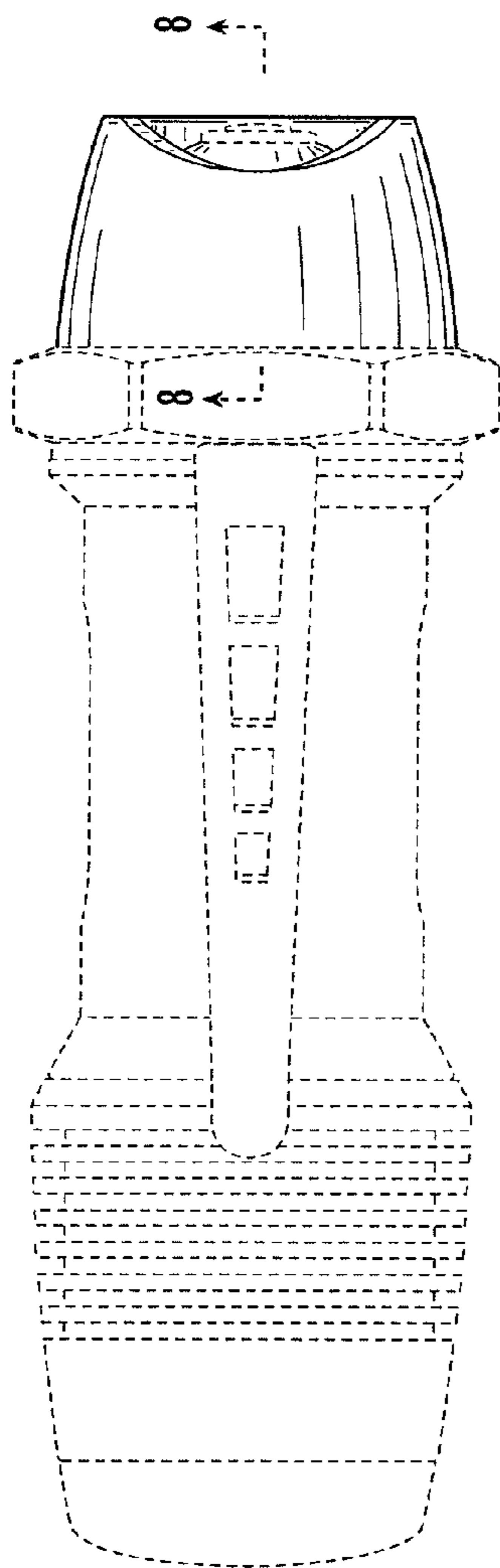


FIG. 4

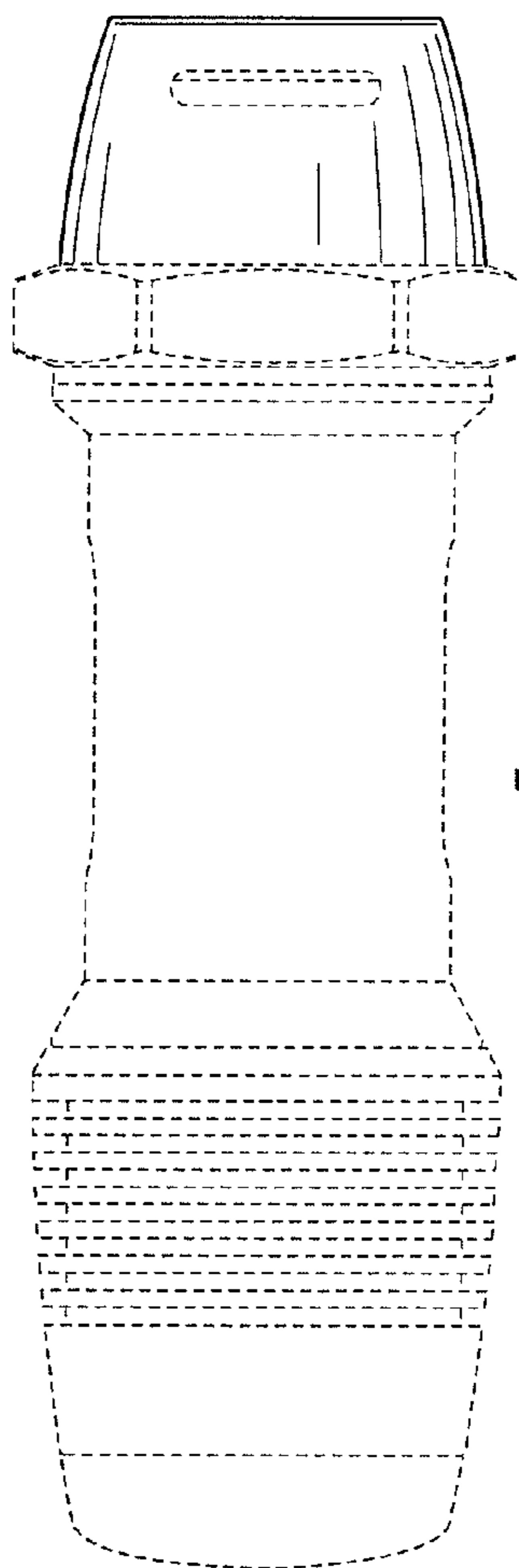


FIG. 5

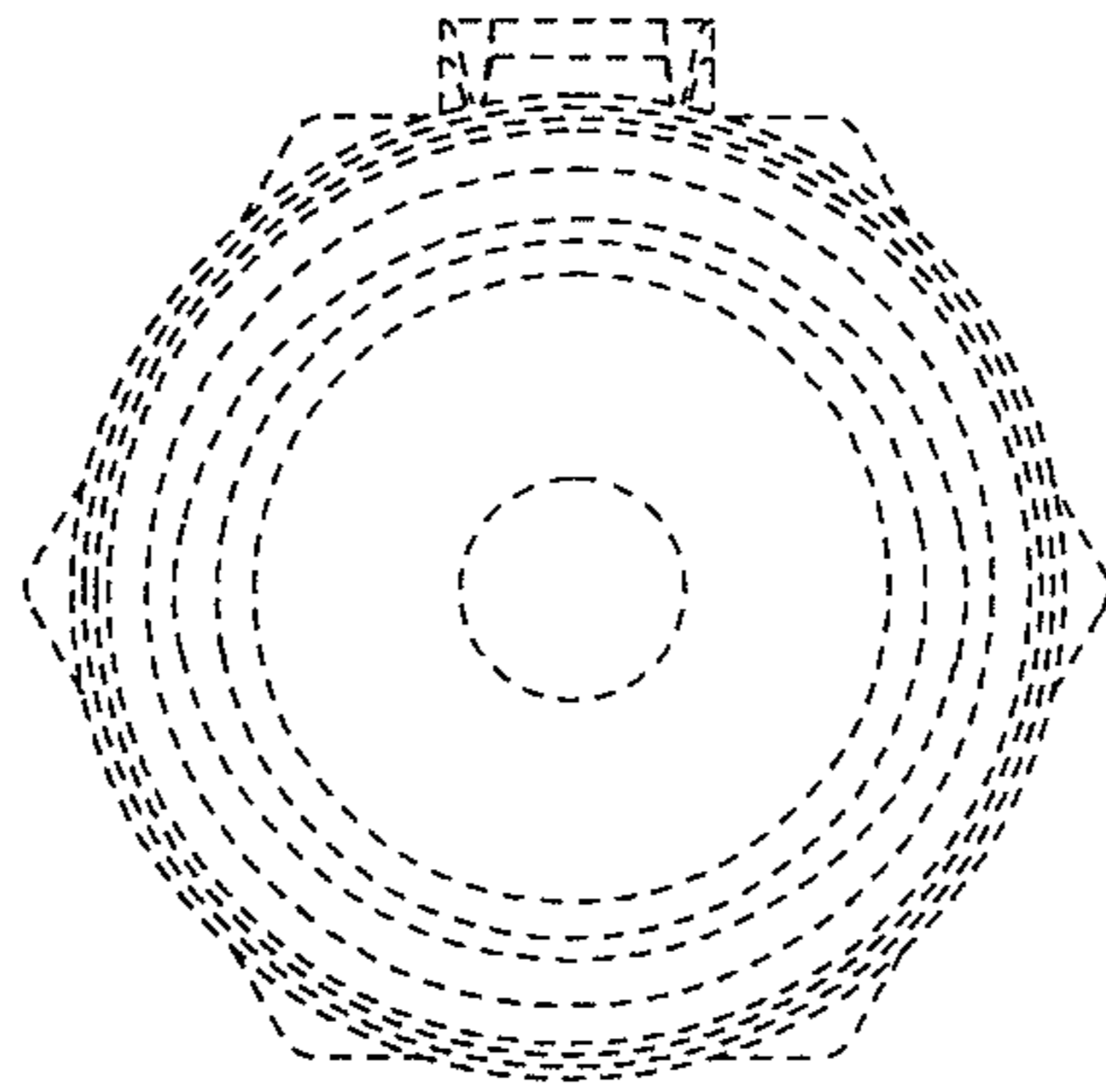


FIG. 6

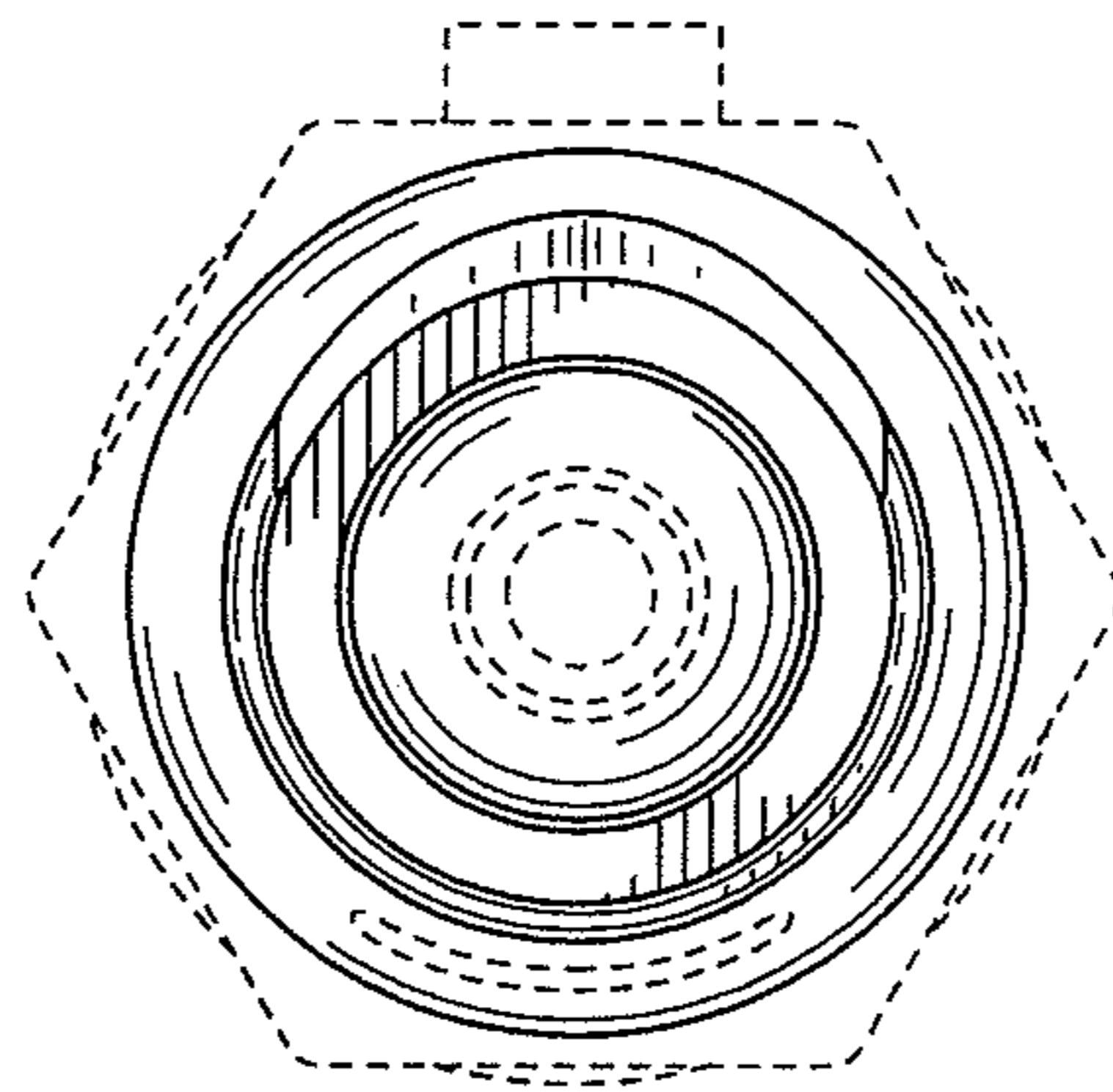


FIG. 7

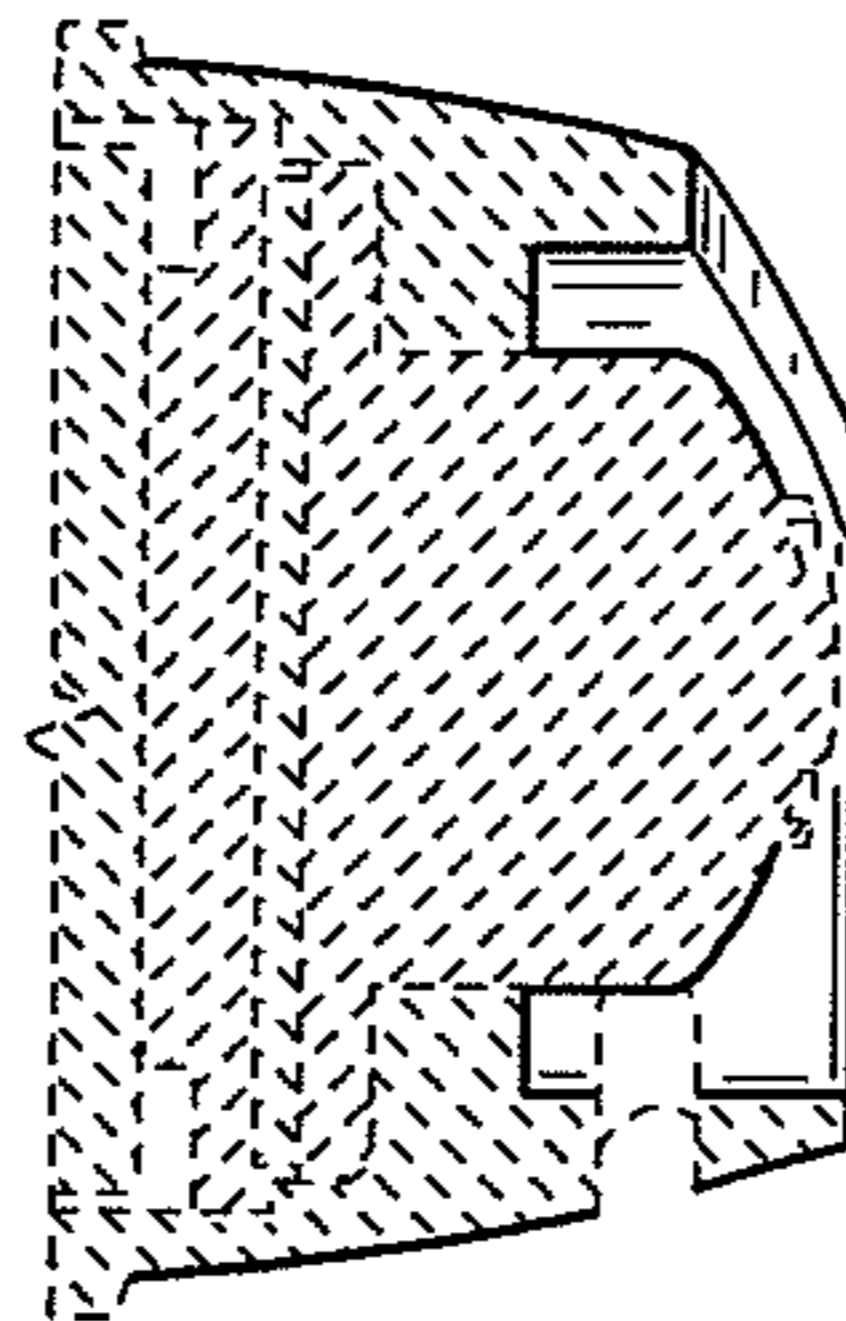


FIG. 8