



US00D721842S

(12) **United States Design Patent**
Opolka

(10) **Patent No.:** **US D721,842 S**
(45) **Date of Patent:** **** Jan. 27, 2015**

(54) **HEAD LAMP**

(75) Inventor: **Rainer Opolka**, Solingen (DE)

(73) Assignee: **Zweibrueder Optoelectronics GmbH**, Solingen (DE)

(**) Term: **14 Years**

(21) Appl. No.: **29/369,213**

(22) Filed: **Sep. 3, 2010**

(30) **Foreign Application Priority Data**

Mar. 4, 2010 (EM) 001677642-0001
Mar. 4, 2010 (EM) 001677642-0002
Mar. 4, 2010 (EM) 001677642-0003

(51) **LOC (10) CL.** **26-02**

(52) **U.S. CL.**
USPC **D26/39**

(58) **Field of Classification Search**
USPC D26/37, 38, 39, 46; 362/157, 158, 184,
362/186, 194-196
See application file for complete search history.

(56) **References Cited**

U.S. PATENT DOCUMENTS

D274,758 S * 7/1984 Shing D26/39
D300,868 S * 4/1989 Conforti D26/39
D383,229 S * 9/1997 Kiichiro D26/39
D503,817 S * 4/2005 Shiu D26/39
D531,335 S * 10/2006 Garrity D26/39

D547,475 S * 7/2007 Xu D26/39
D549,372 S * 8/2007 Lee D26/39
D552,278 S * 10/2007 Spartano et al. D26/39
D553,277 S * 10/2007 Ho et al. D26/39
D557,842 S * 12/2007 Lee D26/39
D560,009 S * 1/2008 Spartano et al. D26/39
D560,298 S * 1/2008 Spartano et al. D26/39
D583,971 S * 12/2008 Castellucci et al. D26/39
D586,932 S * 2/2009 Feinbloom et al. D26/39
D602,185 S * 10/2009 Chang D26/36
D608,479 S * 1/2010 Heine et al. D26/39
D621,535 S * 8/2010 Heine et al. D26/39
D625,863 S * 10/2010 Kingston et al. D26/39
2009/0323317 A1 * 12/2009 Spartano et al. 362/105

* cited by examiner

Primary Examiner — Ian Simmons

Assistant Examiner — Carissa C Fitts

(74) *Attorney, Agent, or Firm* — Andrew Wilford

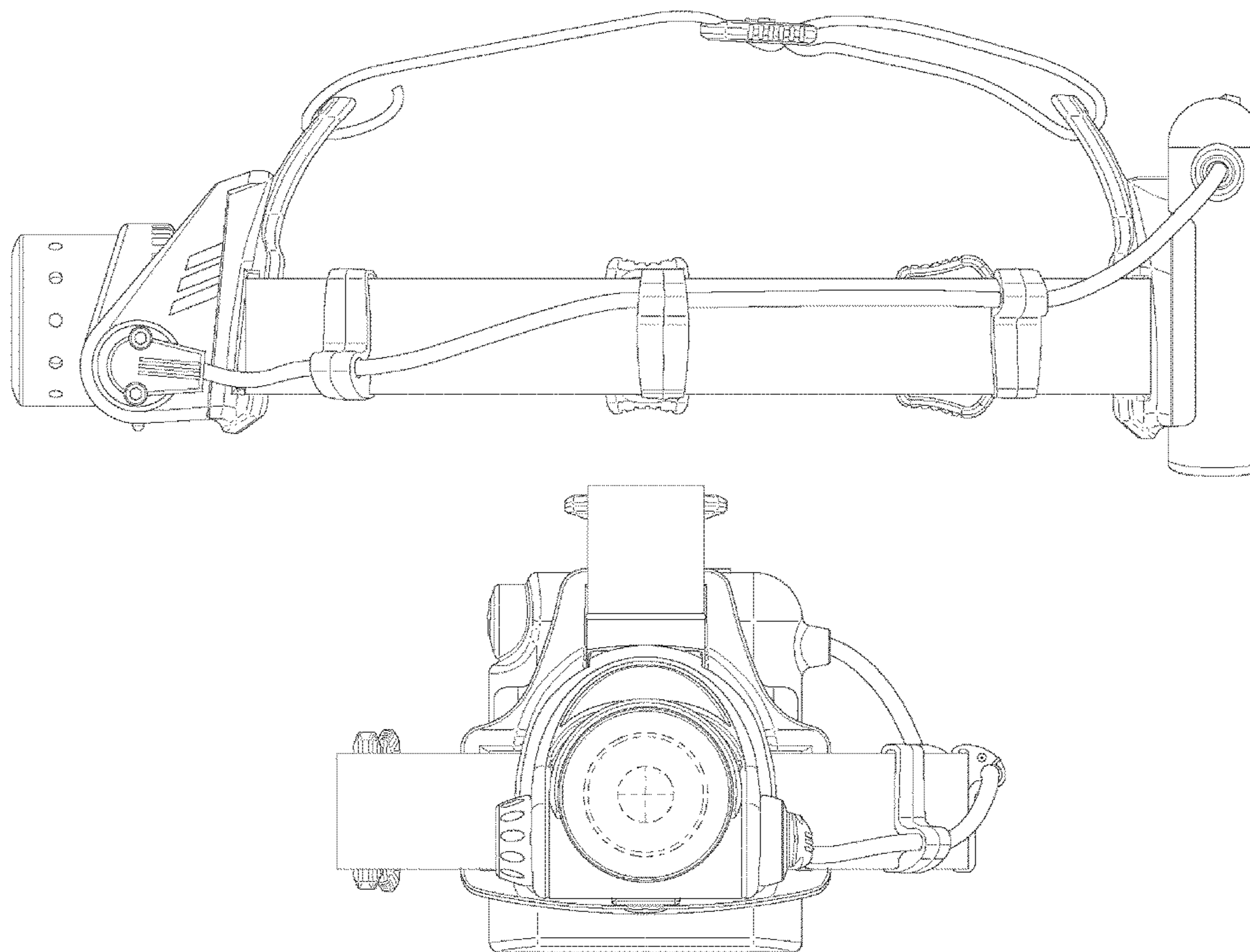
(57) **CLAIM**

The ornamental design for a head lamp, as shown and described.

DESCRIPTION

FIG. 1 is a left side elevational view of the invention; FIG. 2 is a right side elevation view of the invention; FIG. 3 is a top view of the invention; FIG. 4 is a bottom view of the invention; FIG. 5 is a front view of the invention; and, FIG. 6 is a back view of the invention. The broken-line showing is for environmental purposes and forms no part of the claimed design.

1 Claim, 4 Drawing Sheets



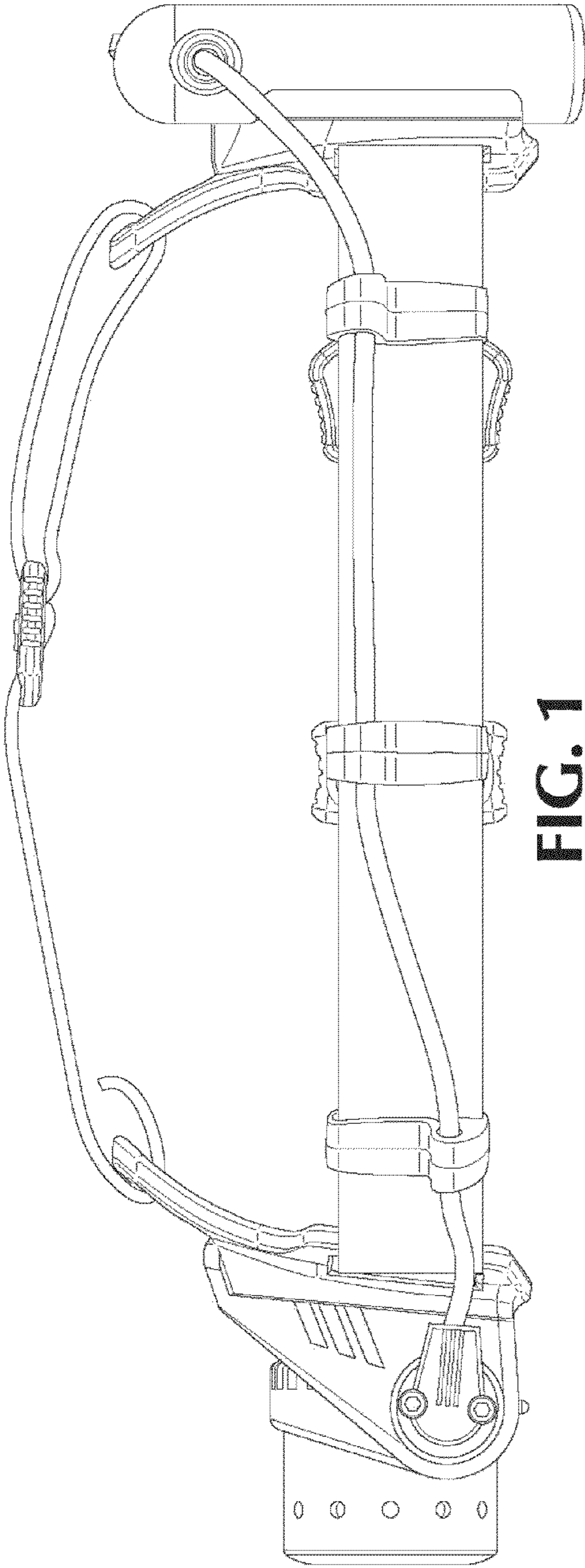


FIG. 1

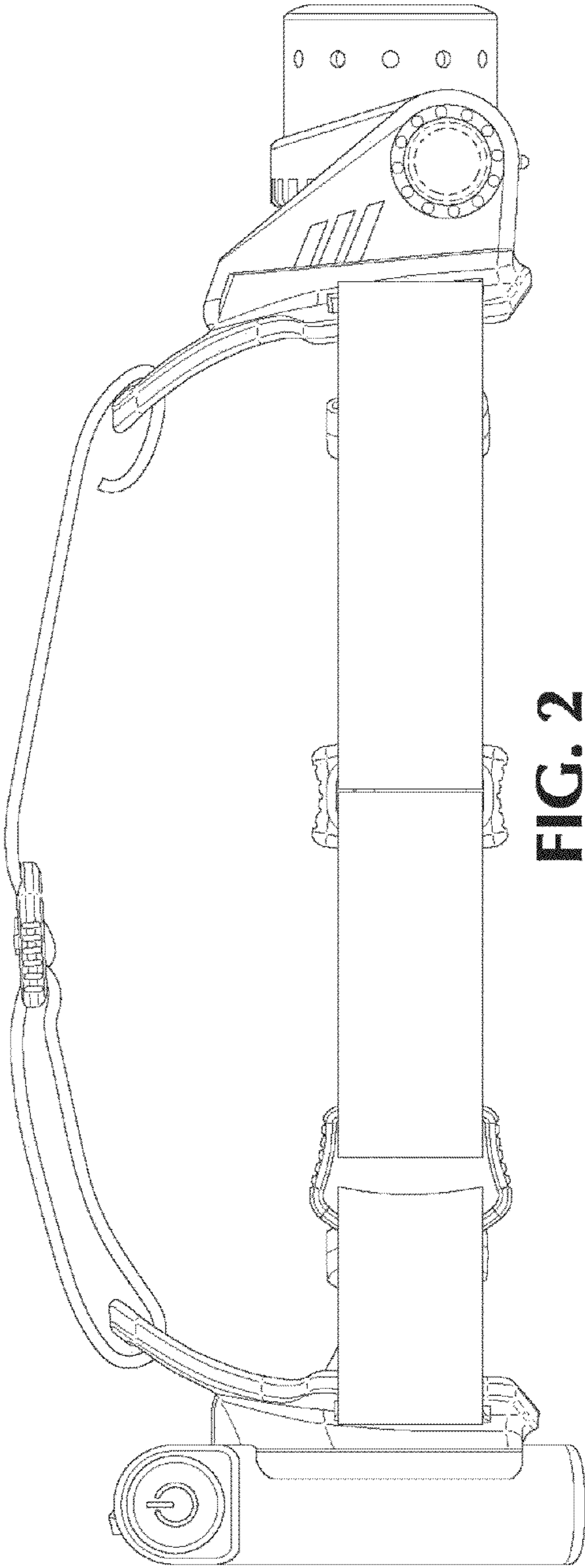


FIG. 2

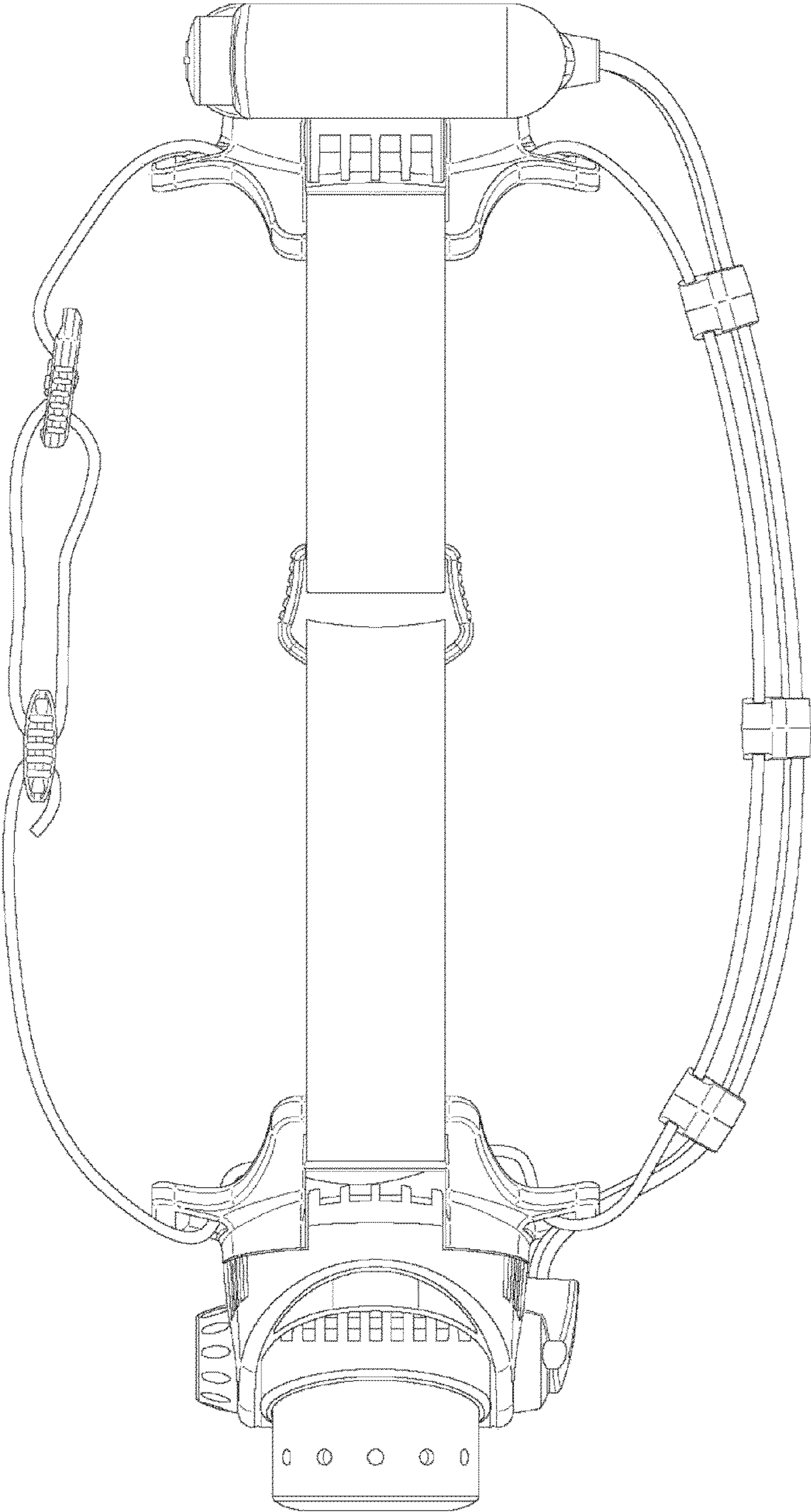


FIG. 3

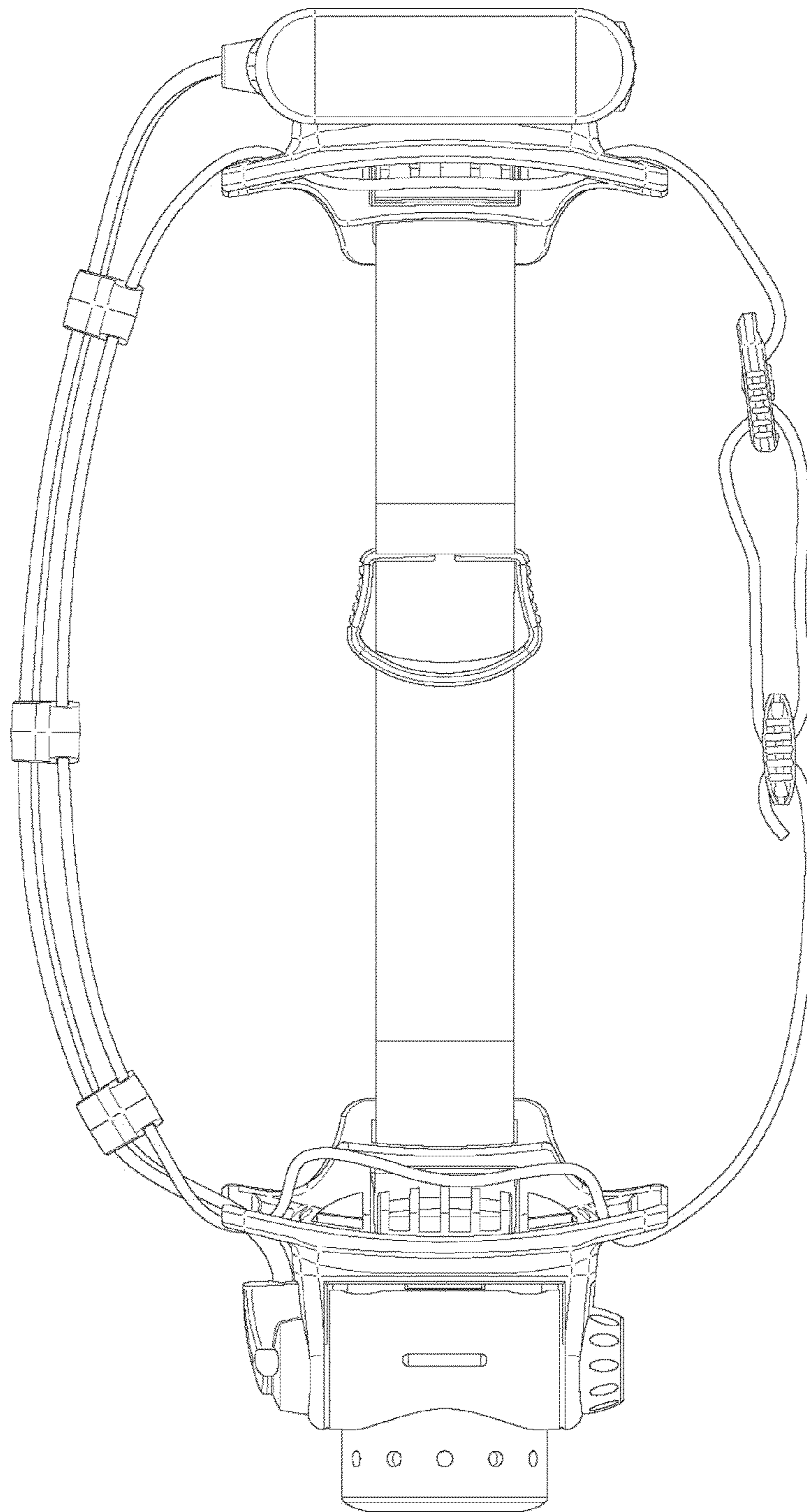


FIG. 4

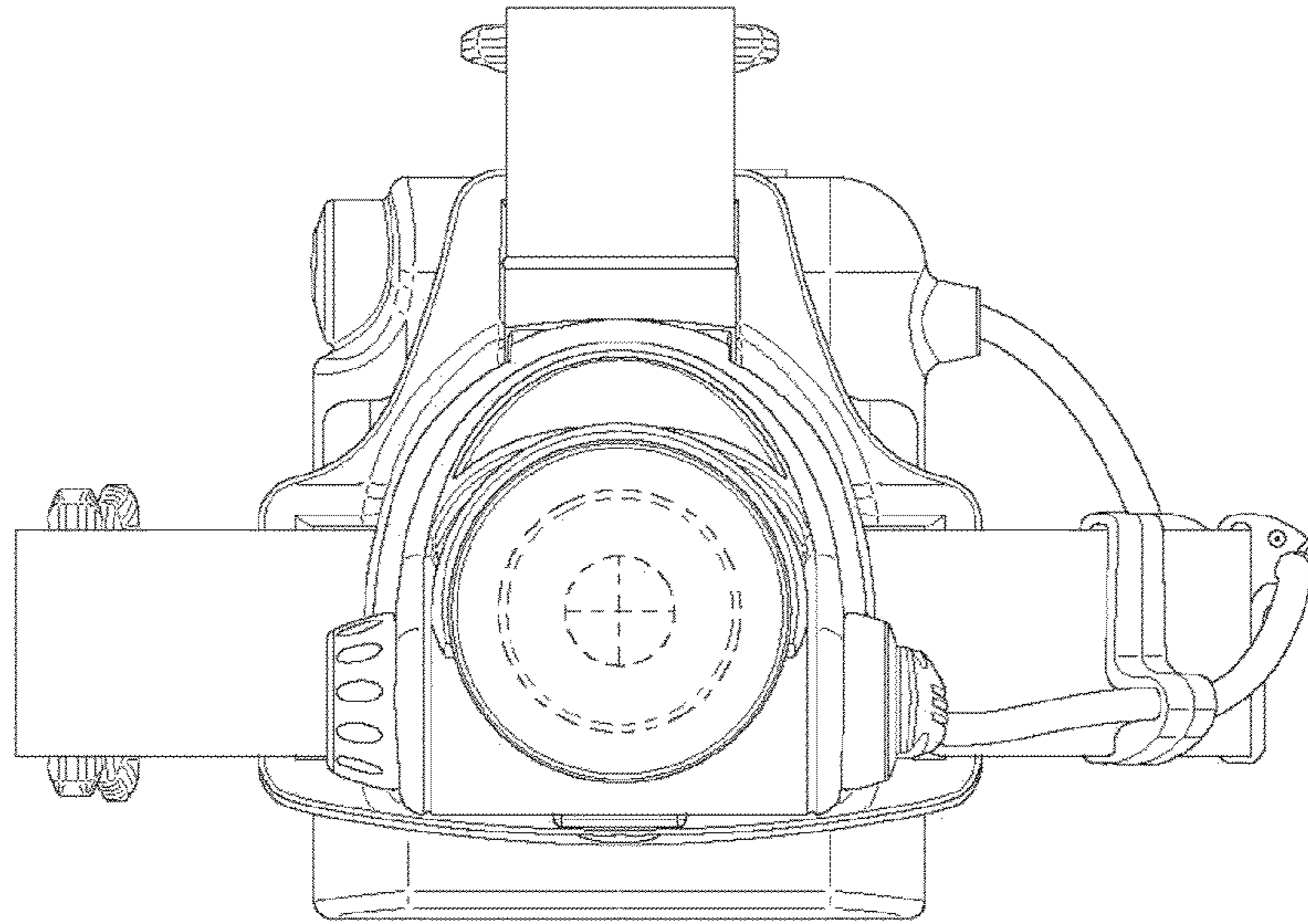


FIG. 5

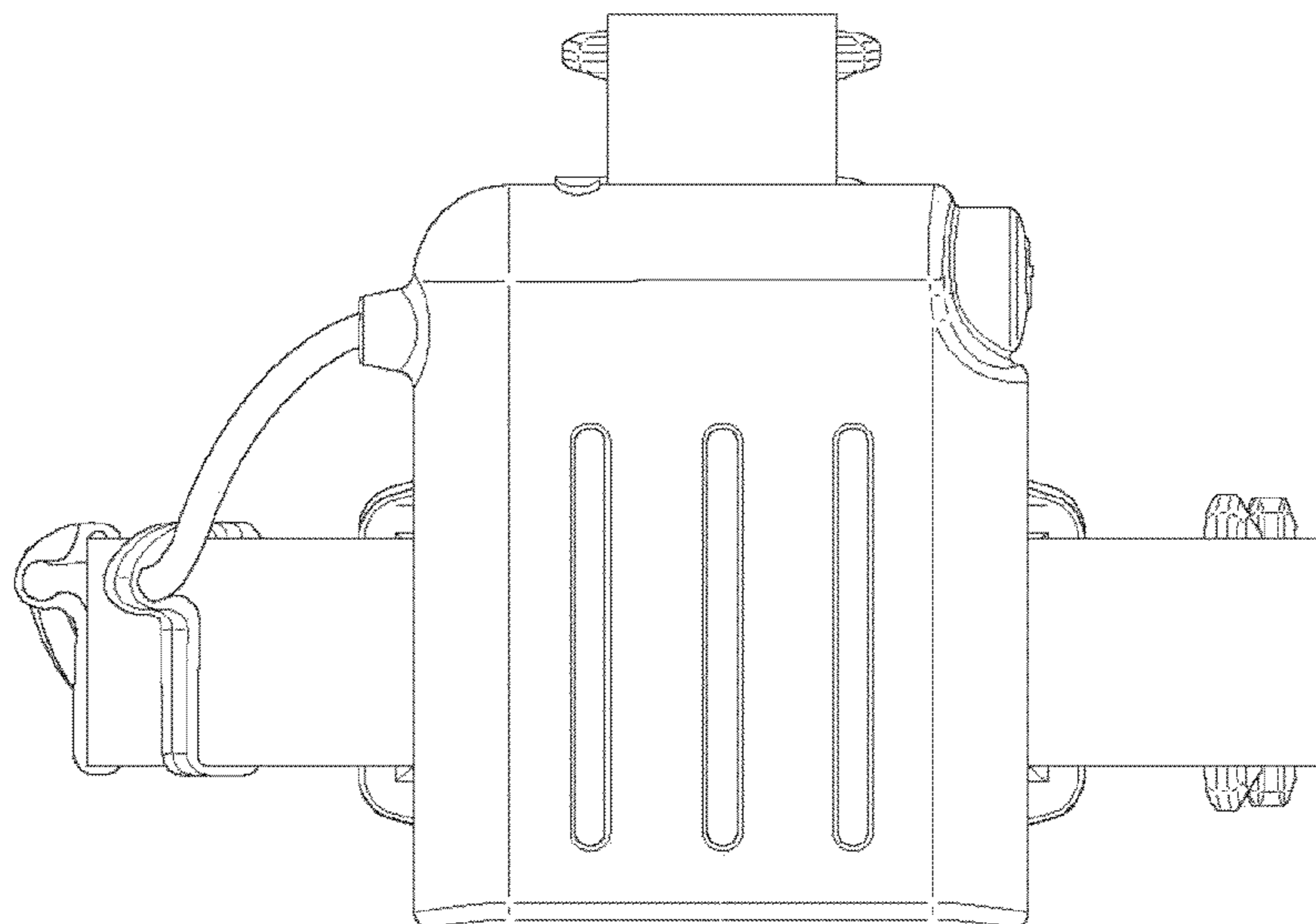


FIG. 6