



US00D721839S

(12) **United States Design Patent**
Ha et al.

(10) **Patent No.:** **US D721,839 S**
(45) **Date of Patent:** **** Jan. 27, 2015**

(54) **REAR COMBINATION LAMP FOR AUTOMOBILES**

D538,452 S * 3/2007 Pfeiffer D26/28
D539,450 S * 3/2007 Pfeiffer D26/28
D549,363 S * 8/2007 Pfeiffer D26/28

(71) Applicant: **Kia Motors Corporation**, Seoul (KR)

* cited by examiner

(72) Inventors: **Ji-Won Ha**, Gyeonggi-Do (KR);
Kwae-Je Cho, Gyeonggi-Do (KR)

Primary Examiner — Marcus Jackson

(73) Assignee: **Kia Motors Corporation**, Seoul (KR)

(74) *Attorney, Agent, or Firm* — Edwards Wildman Palmer LLP

(**) Term: **14 Years**

(57) **CLAIM**

(21) Appl. No.: **29/463,486**

The ornamental design for a rear combination lamp for automobiles, as shown and described.

(22) Filed: **Dec. 11, 2013**

DESCRIPTION

(30) **Foreign Application Priority Data**

Jun. 12, 2013 (KR) 30-2013-0030249

(51) **LOC (10) Cl.** **26-06**

(52) **U.S. Cl.**
USPC **D26/28**

(58) **Field of Classification Search**
USPC D26/28-36; 362/459-468, 475-478,
362/485-487
See application file for complete search history.

FIG. 1 is a perspective view of a rear combination lamp for automobiles according to the present invention.

FIG. 2 is a front view of the rear combination lamp for automobiles of FIG. 1.

FIG. 3 is a rear view of the rear combination lamp for automobiles of FIG. 1.

FIG. 4 is a left side view of the rear combination lamp for automobiles of FIG. 1.

FIG. 5 is a right side view of the rear combination lamp for automobiles of FIG. 1.

FIG. 6 is a top view of the rear combination lamp for automobiles of FIG. 1; and,

FIG. 7 is a bottom view of the rear combination lamp for automobiles of FIG. 1.

(56) **References Cited**

U.S. PATENT DOCUMENTS

D498,013 S * 11/2004 Pfeiffer D26/28
D523,976 S * 6/2006 Pfeiffer et al. D26/28

1 Claim, 7 Drawing Sheets

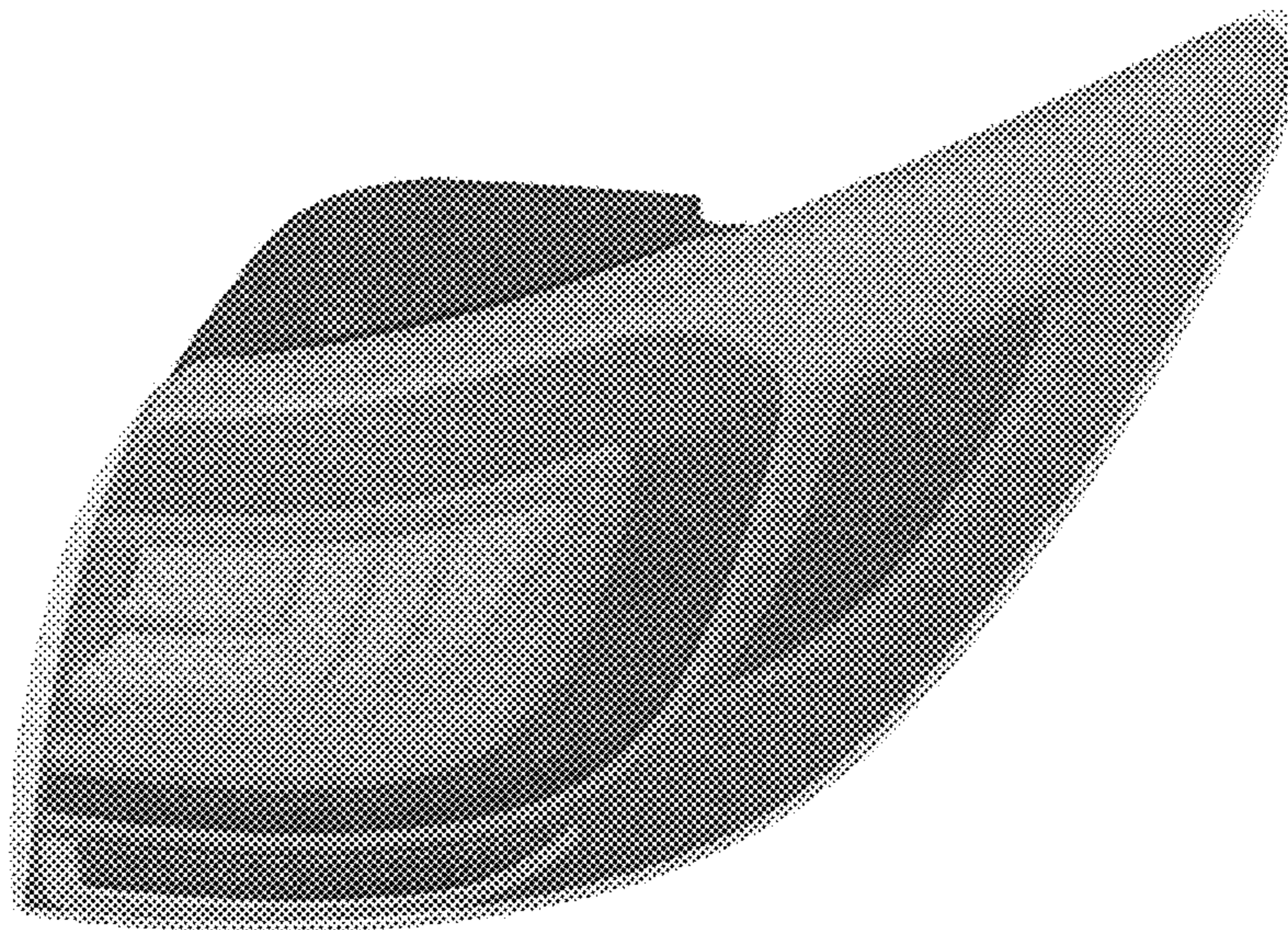


FIG. 1

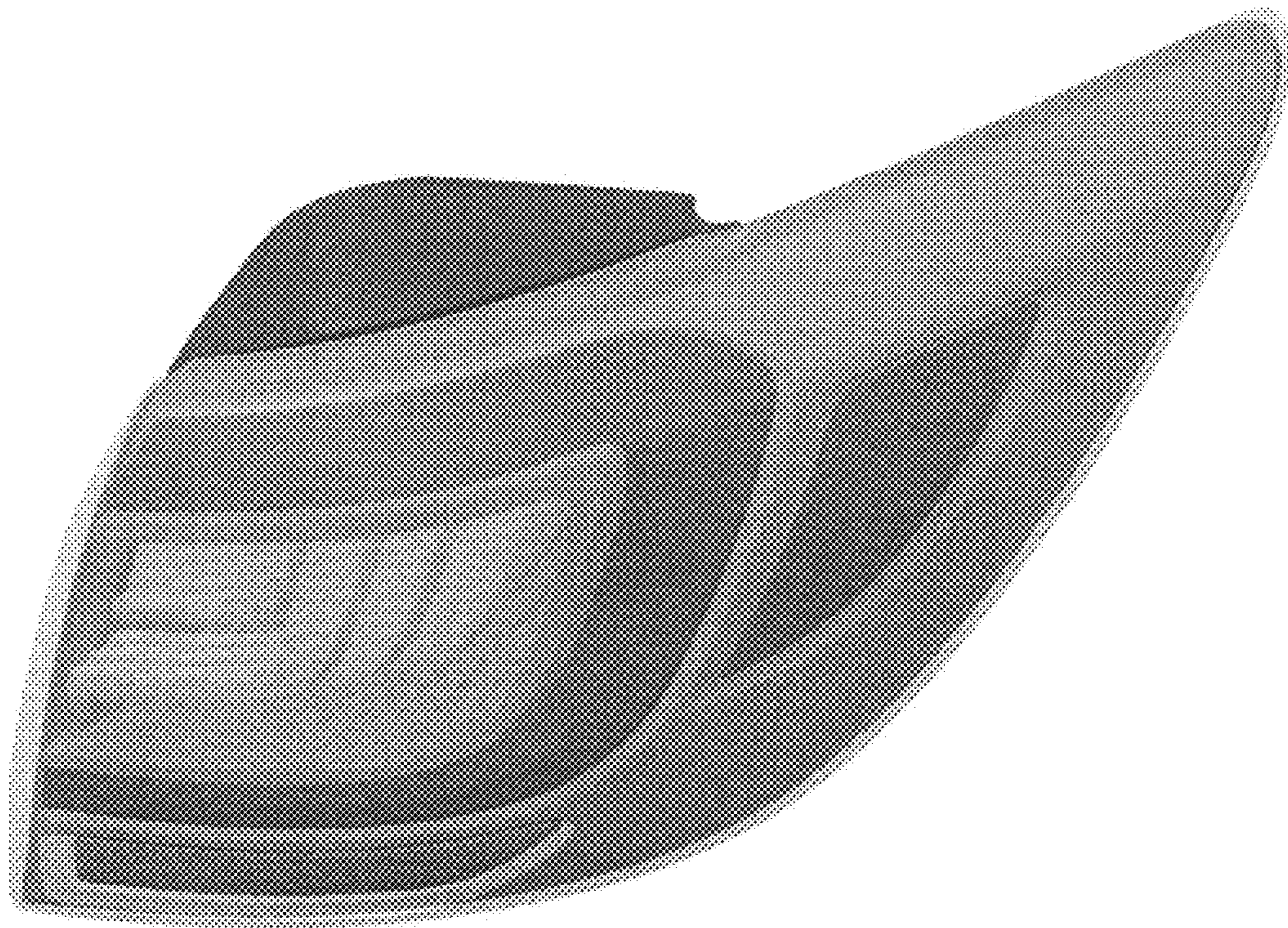


FIG. 2

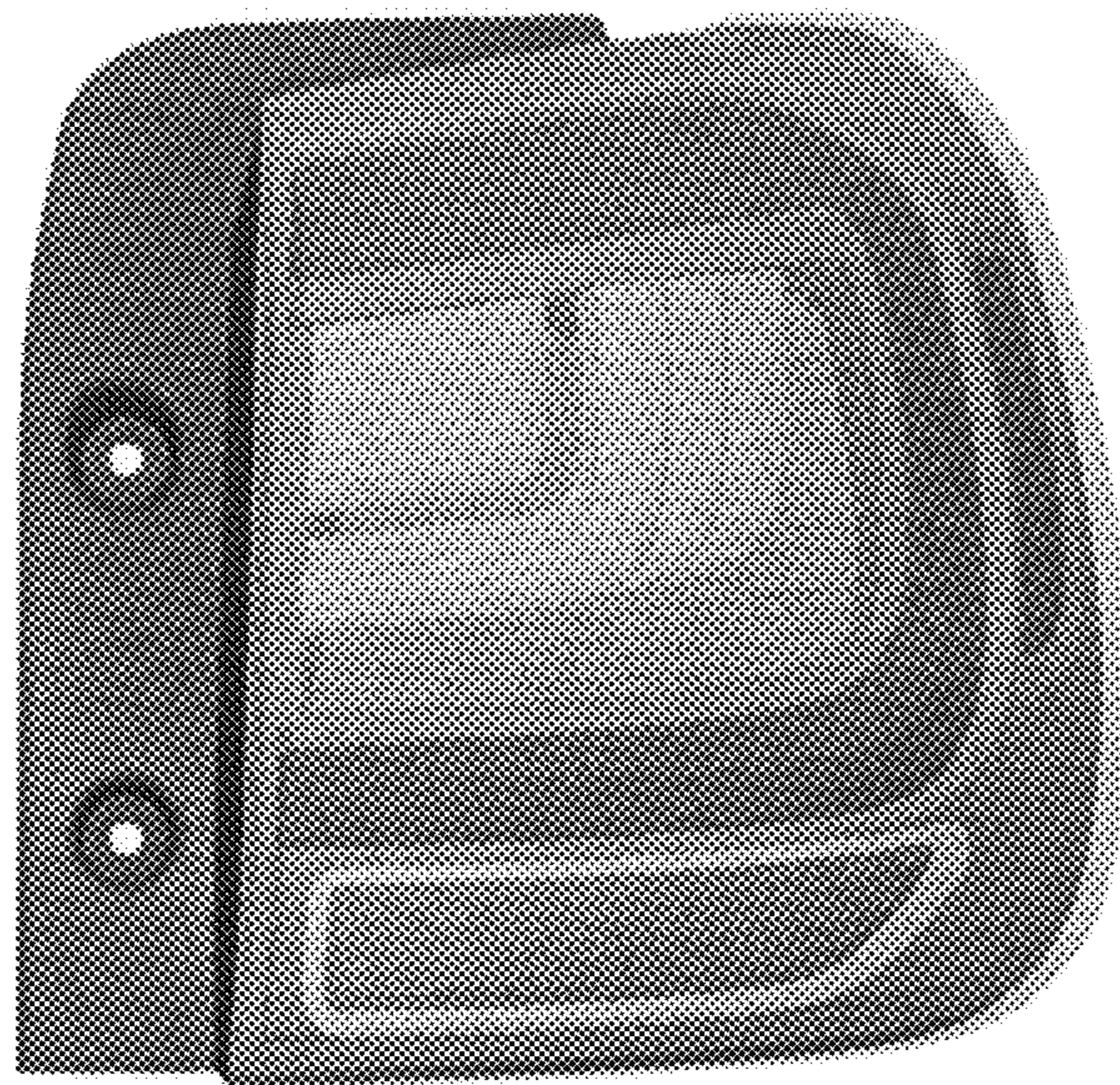


FIG. 3

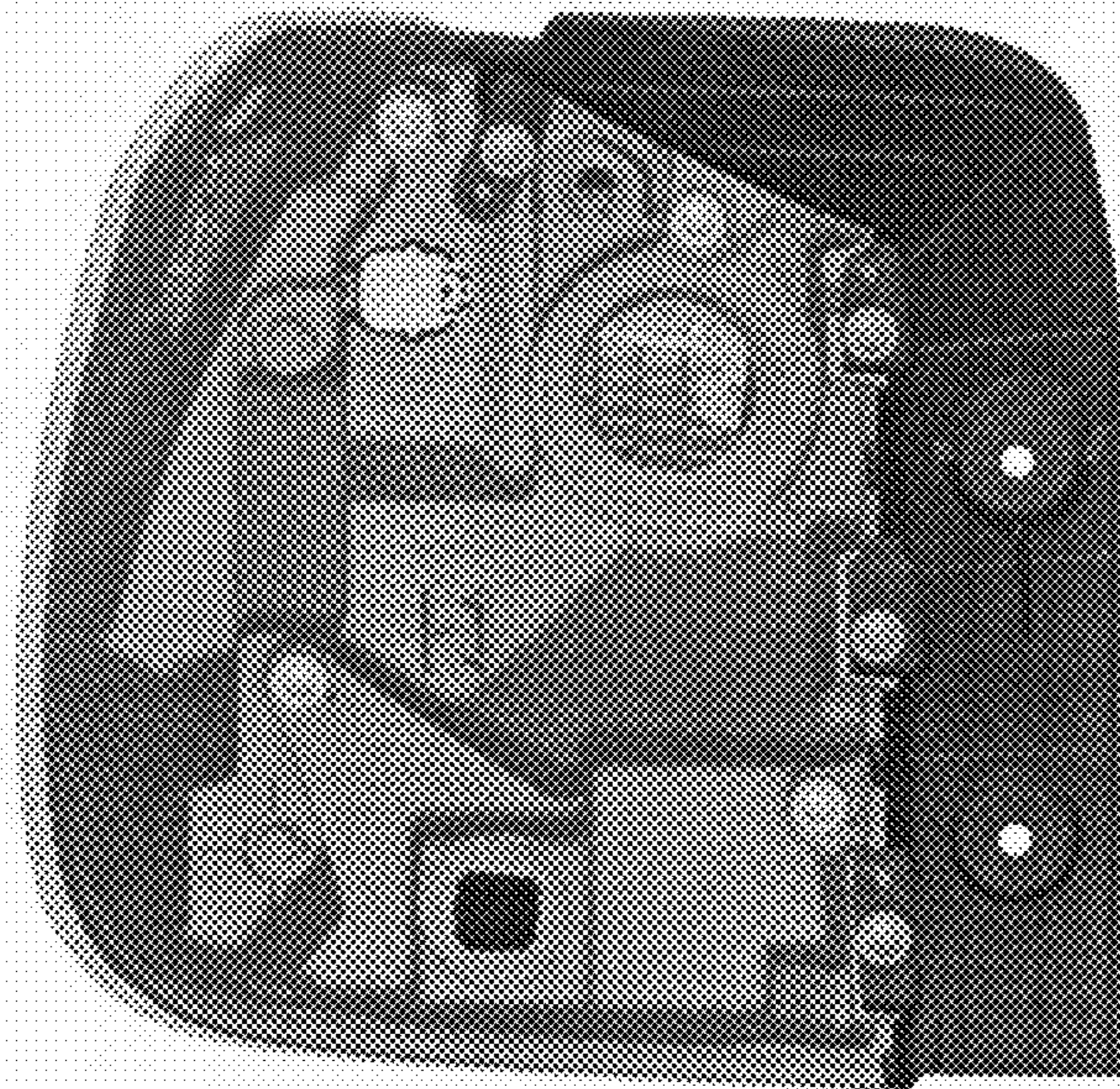


FIG. 4

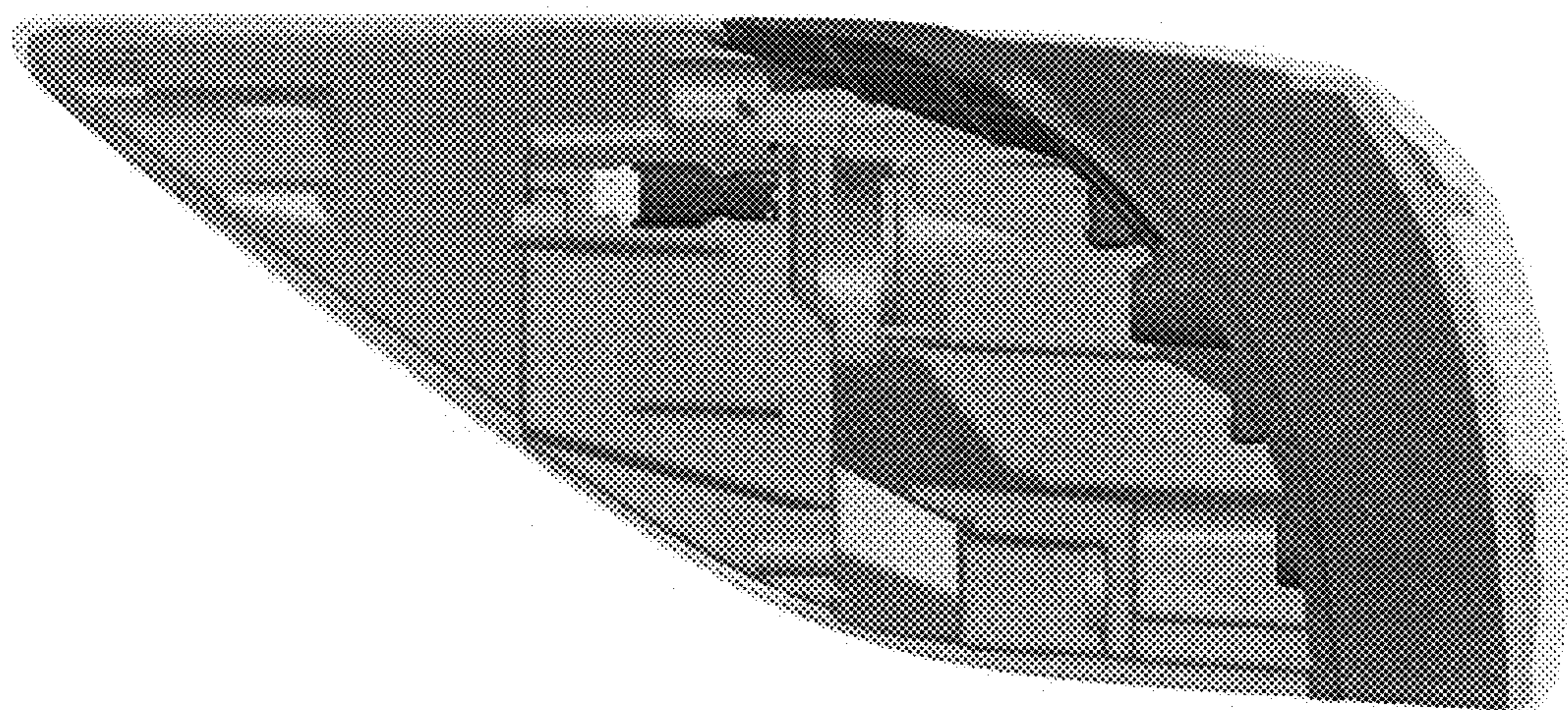


FIG. 5

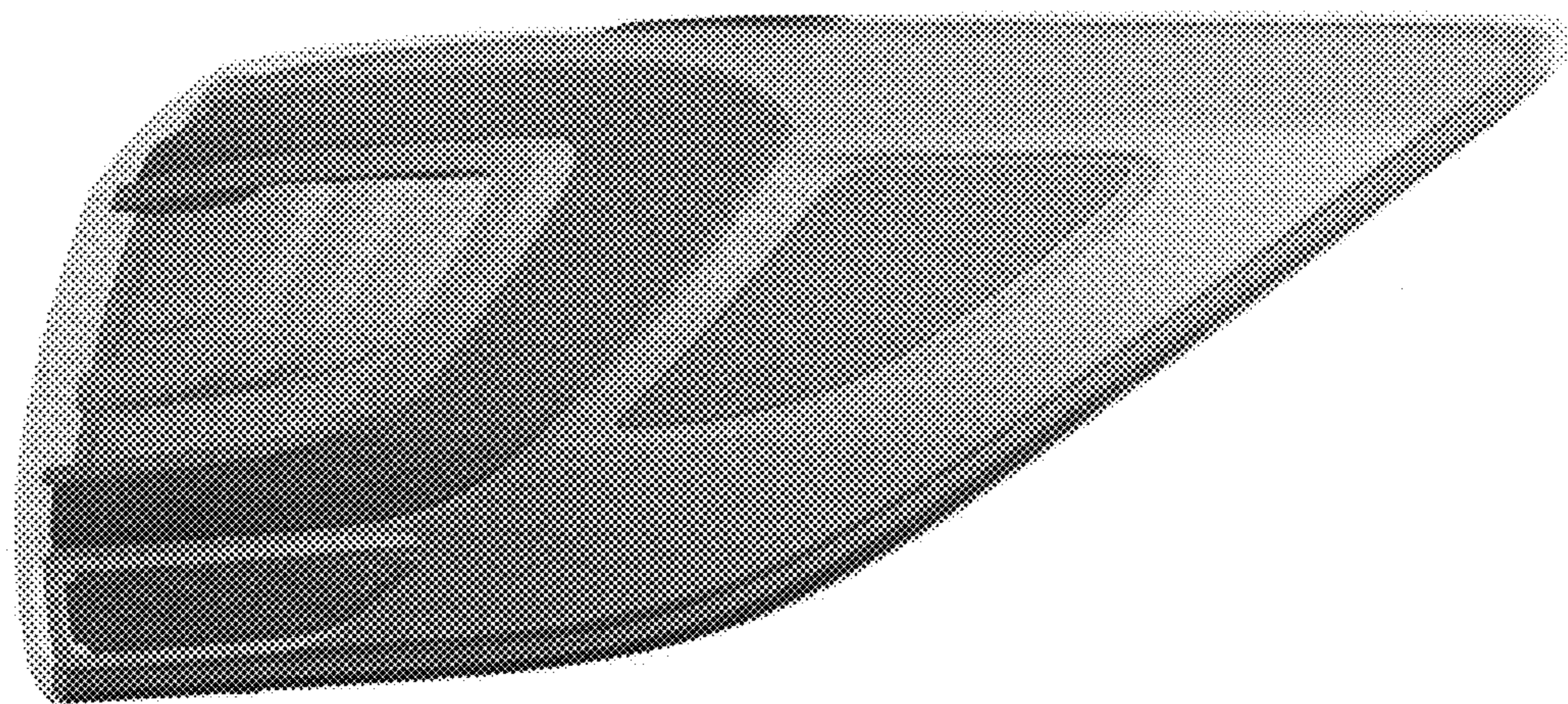


FIG. 6

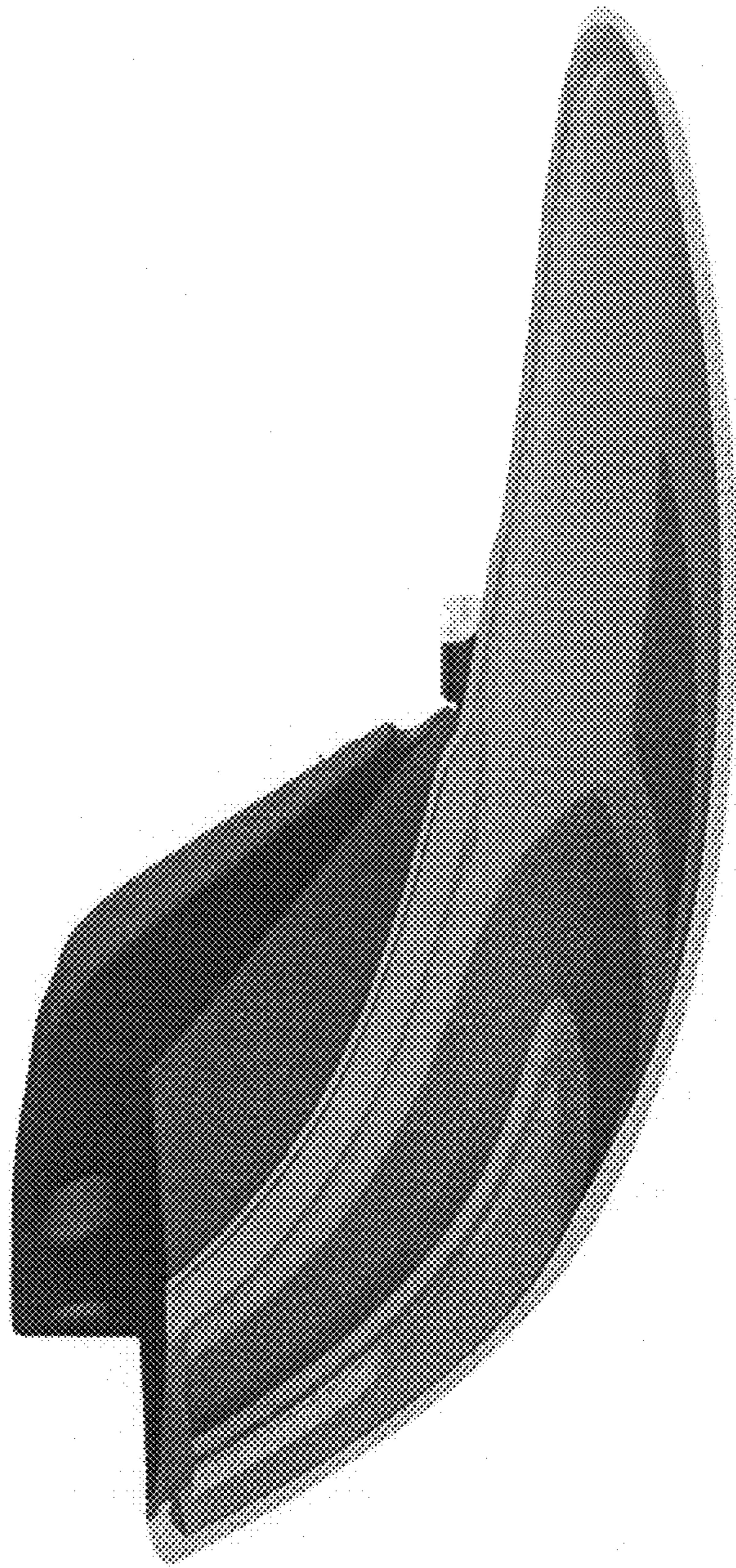


FIG. 7

