



US00D721834S

(12) **United States Design Patent**
Nguyen

(10) **Patent No.:** **US D721,834 S**
(45) **Date of Patent:** **** Jan. 27, 2015**

- (54) **SPORT TEAM CANDLE**
- (71) Applicant: **Manh T. Nguyen**, Mechanicsville, VA (US)
- (72) Inventor: **Manh T. Nguyen**, Mechanicsville, VA (US)
- (**) Term: **14 Years**
- (21) Appl. No.: **29/444,396**
- (22) Filed: **Jan. 30, 2013**
- (51) **LOC (10) Cl.** **26-04**
- (52) **U.S. Cl.**
USPC **D26/7**
- (58) **Field of Classification Search**
USPC D26/1-23, 114-137; D11/117;
431/291, 311, 320, 298, 288;
362/161-163, 351, 569, 392
See application file for complete search history.

- D596,363 S * 7/2009 Woford et al. D34/4
- 7,658,507 B1 2/2010 Thomas
- D613,200 S * 4/2010 Modderman et al. D11/124
- D624,268 S * 9/2010 Woford et al. D34/4
- 2010/0270943 A1 10/2010 Cook
- 2011/0058363 A1 3/2011 Fattizzi

* cited by examiner

Primary Examiner — T. Chase Nelson
Assistant Examiner — Ania Aman

(57) **CLAIM**

The ornamental design for a sport team candle, as shown and described.

DESCRIPTION

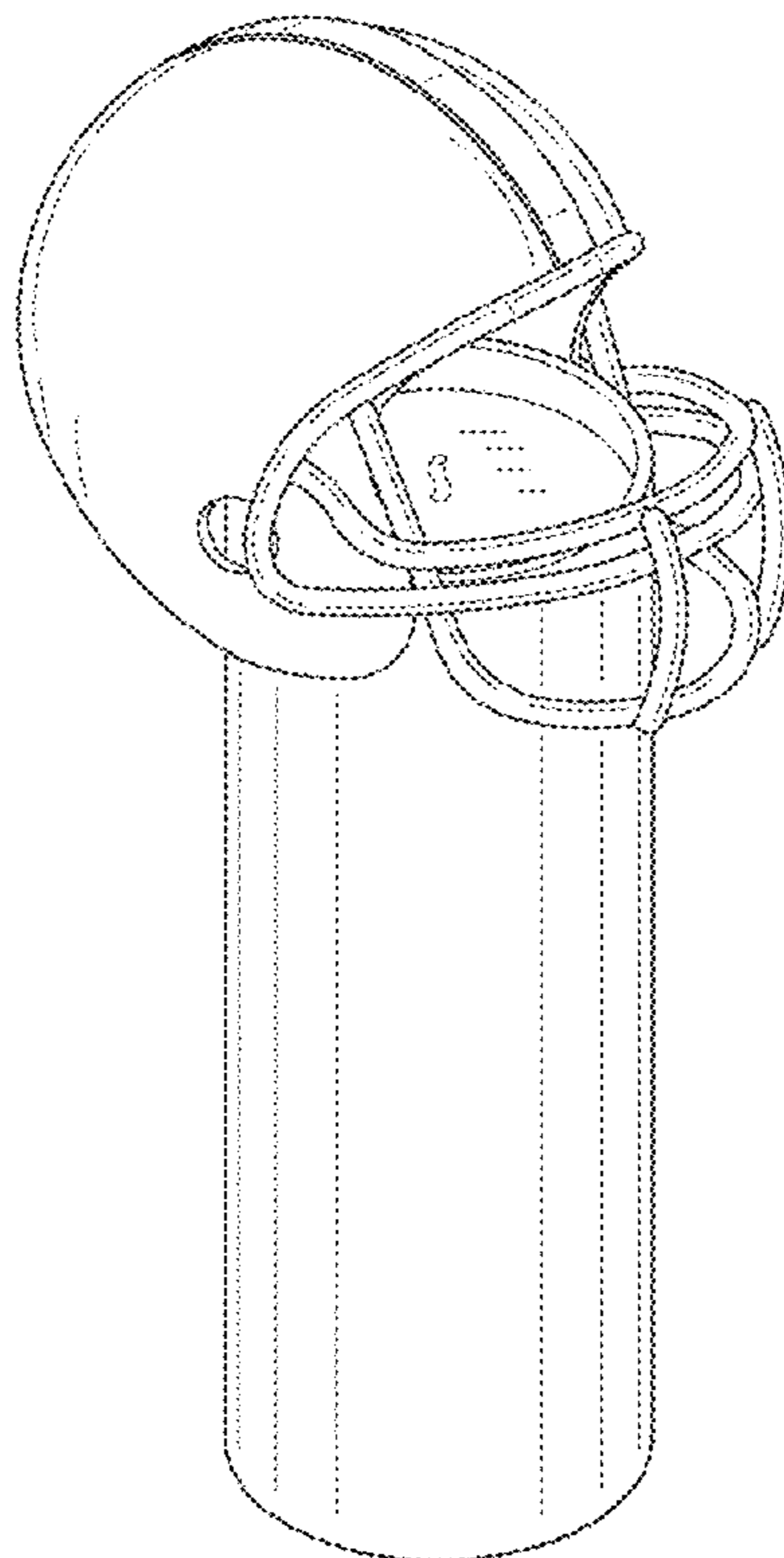
FIG. 1 is a perspective view of a sport team candle showing my new design;
FIG. 2 is a site view thereof; opposite side view is a mirror image thereof;
FIG. 3 is a front view thereof;
FIG. 4 is a back view thereof;
FIG. 5 is a top view thereof;
FIG. 6 is a bottom view thereof; and,
FIG. 7 is a cross-sectional view thereof.
In FIG. 2, the broken lines showing the environmental structure for purposes of illustrating the sport team candle in a condition of use. The broken lines and the structure they depict form no part of the claimed design.

1 Claim, 6 Drawing Sheets

(56) **References Cited**

U.S. PATENT DOCUMENTS

- D239,569 S 4/1976 Eker
- D289,694 S * 5/1987 Pickett, Jr. D26/51
- D321,845 S * 11/1991 Nys D11/157
- D350,710 S * 9/1994 Keiffer D11/157
- 6,758,666 B1 7/2004 Strunak
- 6,783,356 B2 8/2004 Hermanson
- D501,343 S * 2/2005 Miesieski et al. D6/515
- D520,674 S * 5/2006 Richmond D27/148
- D547,516 S * 7/2007 Woford et al. D34/4



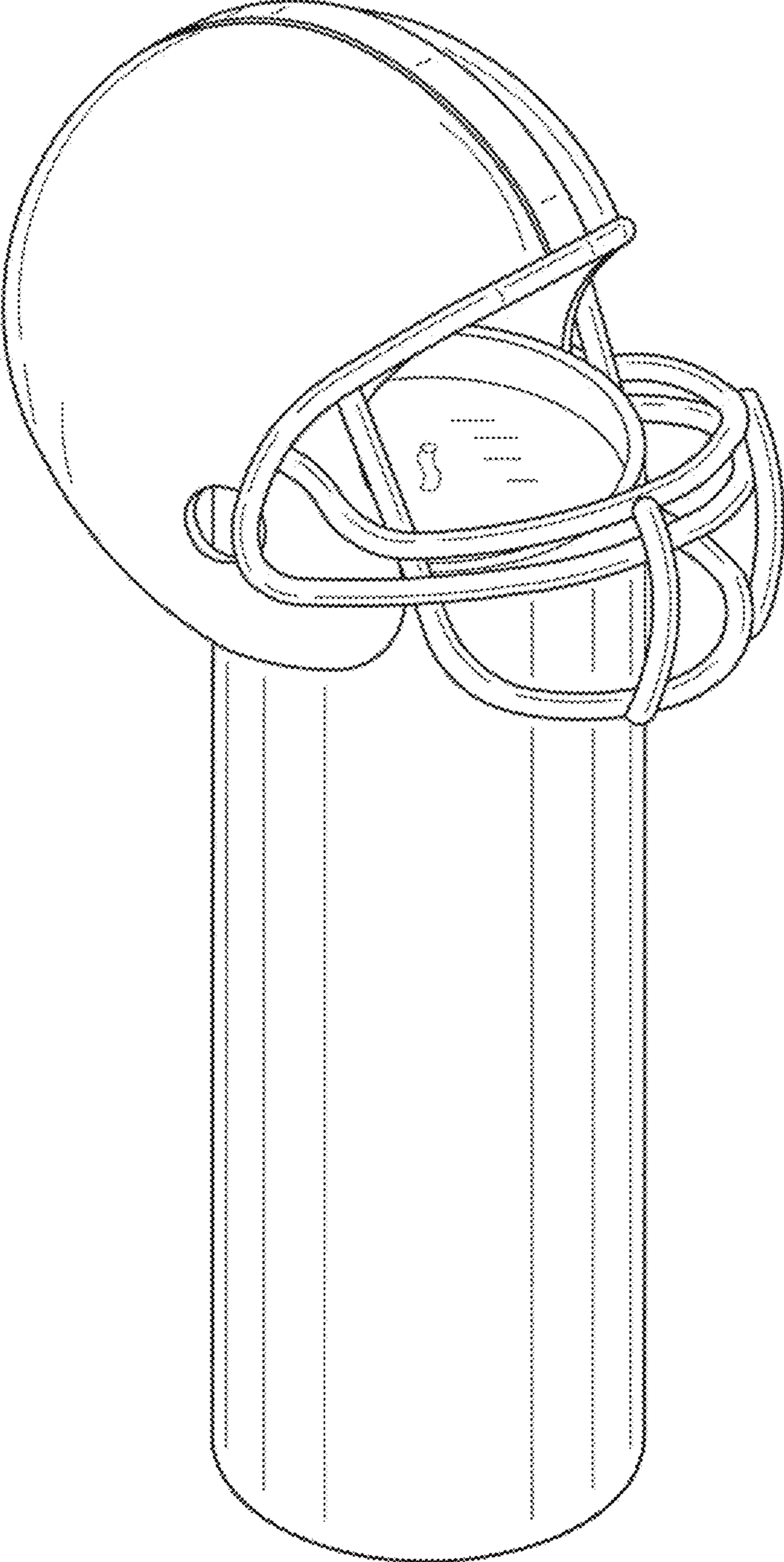


FIG. 1

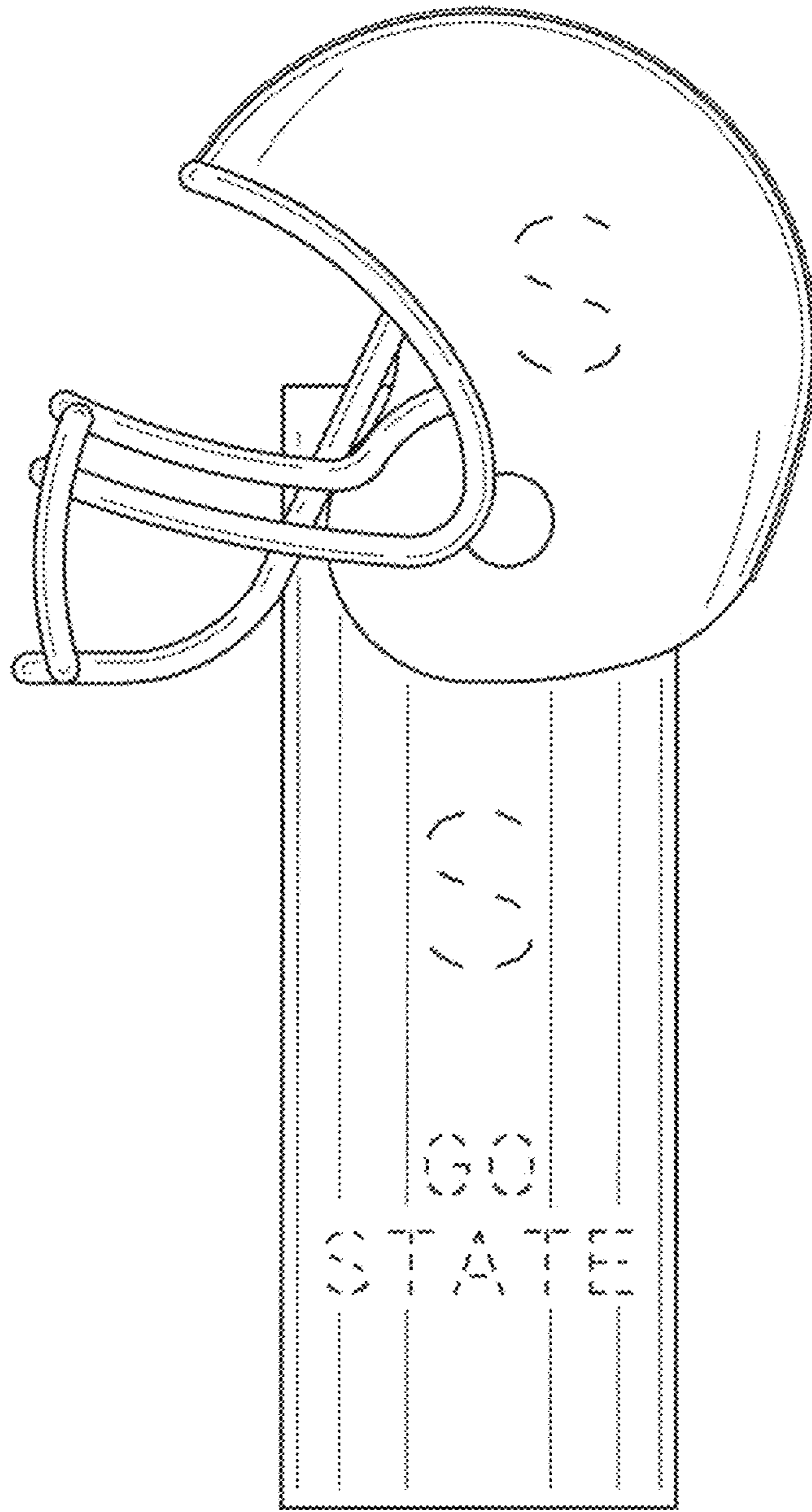


FIG. 2

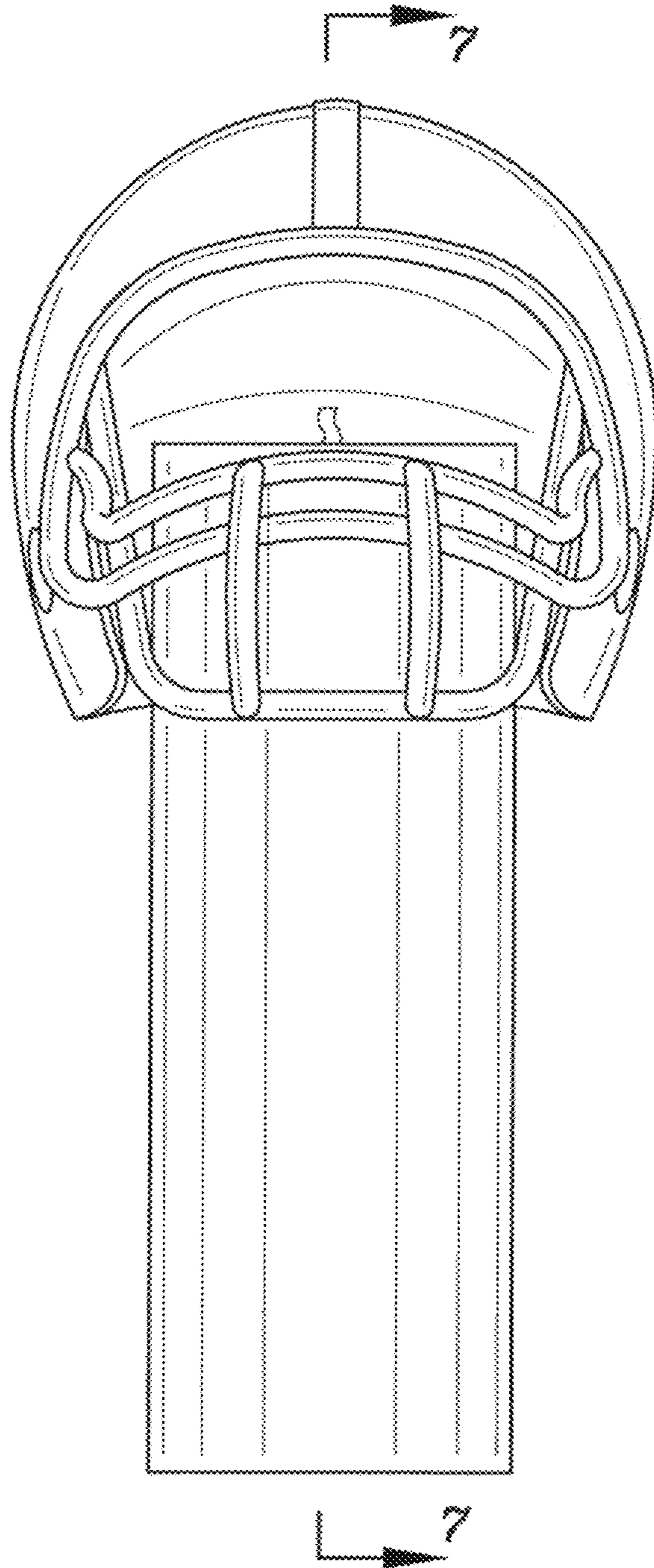


FIG. 3

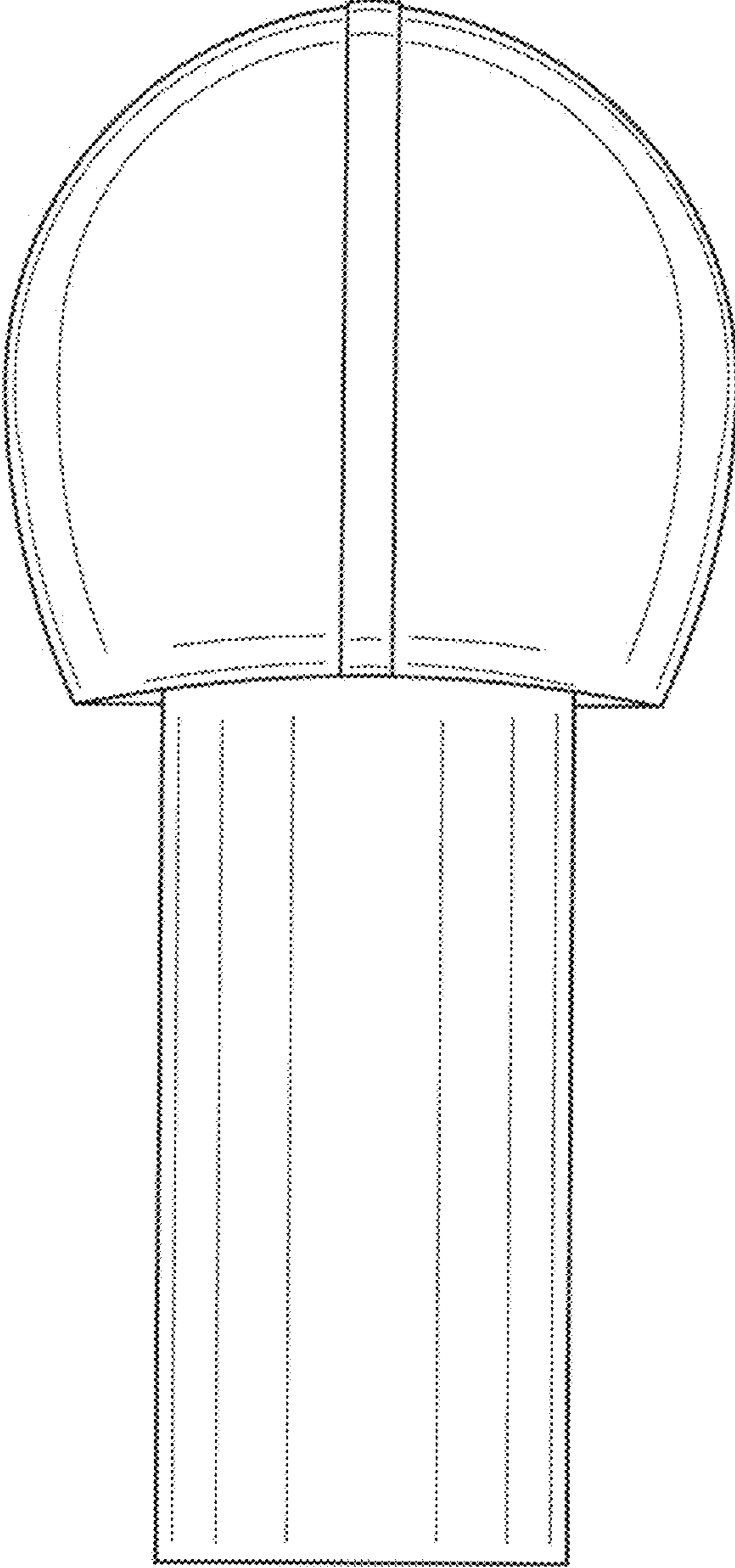


FIG. 4

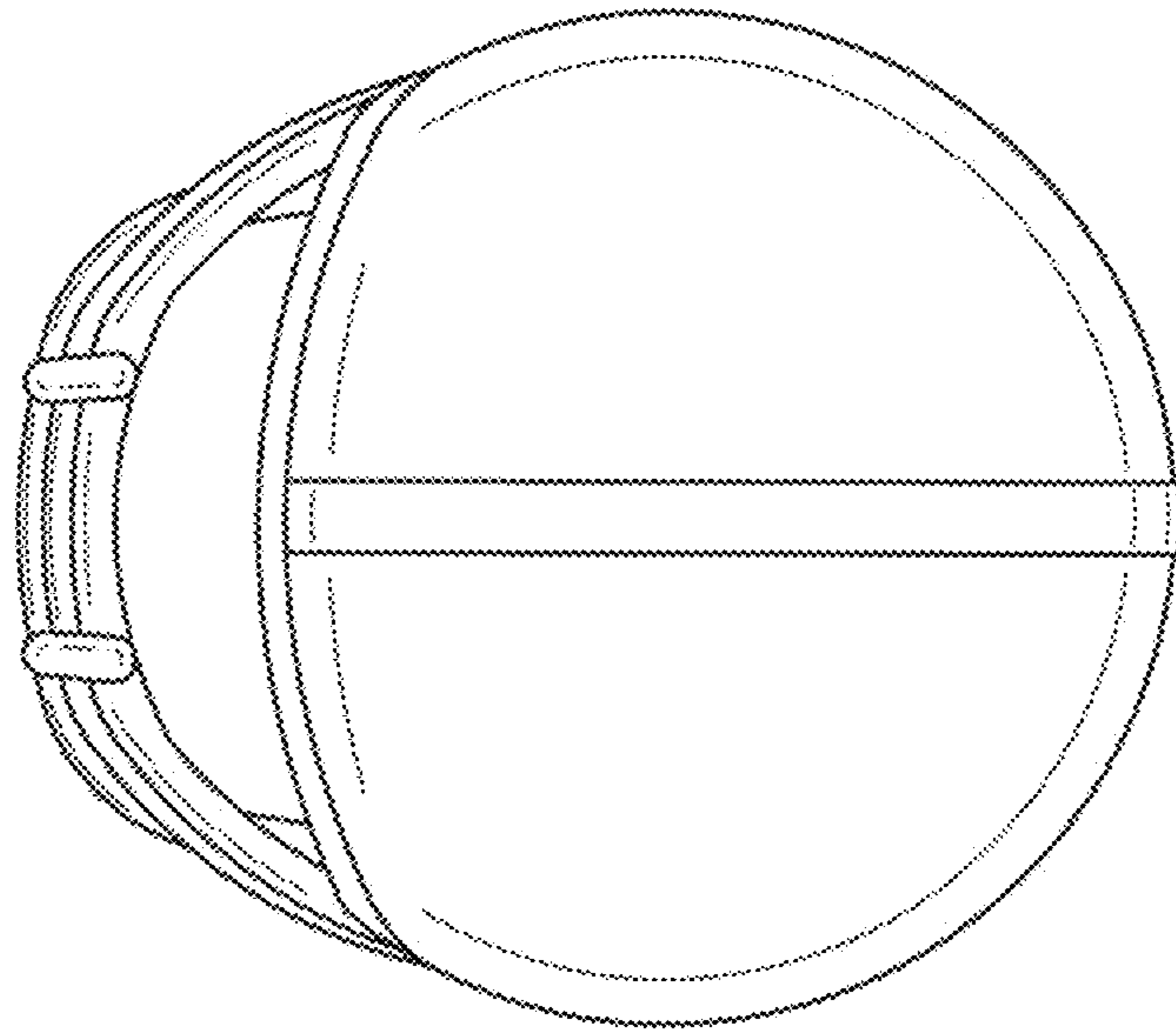


FIG. 5

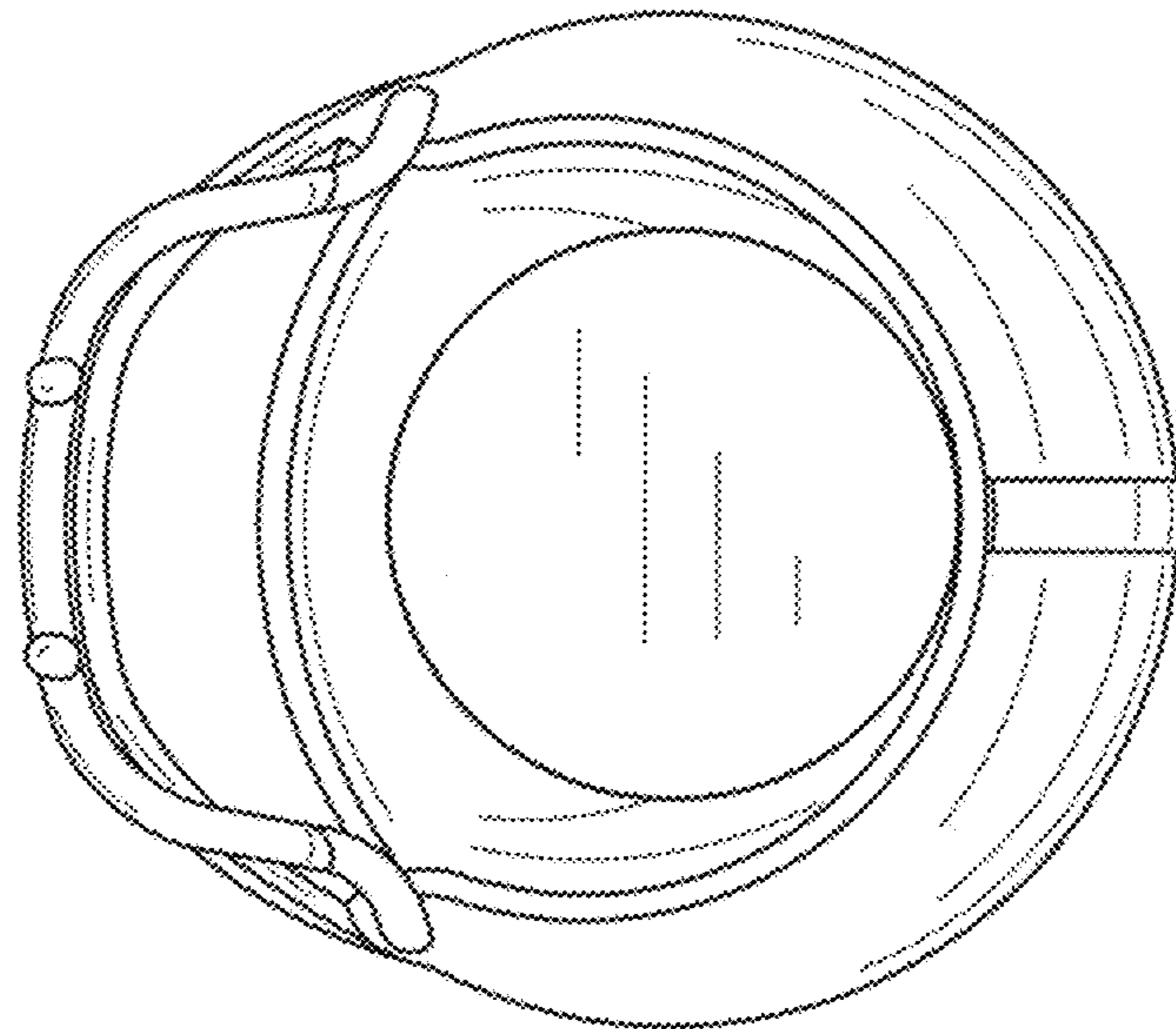


FIG. 6

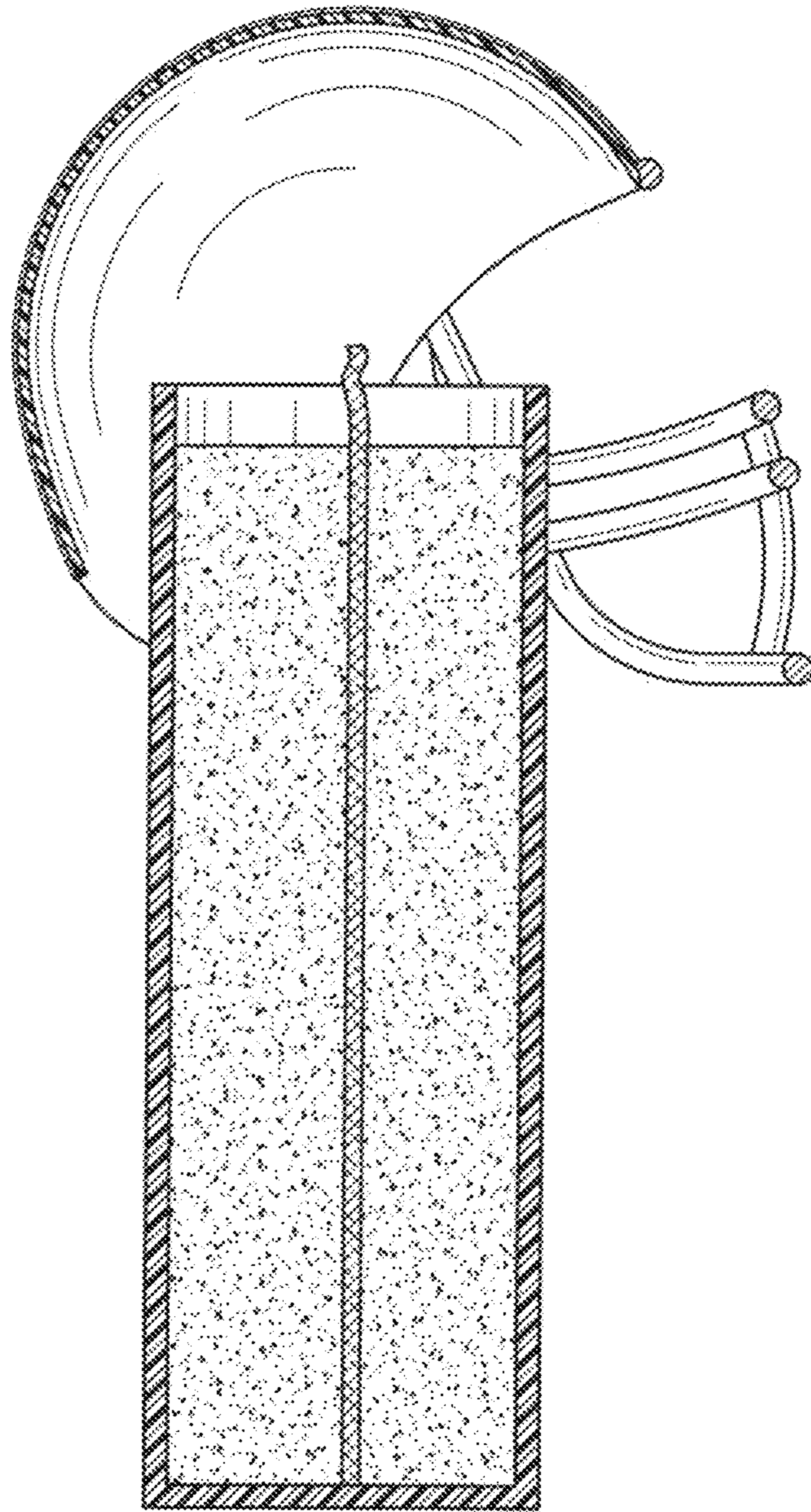


FIG. 7