



US00D721833S

(12) **United States Design Patent**
Mizushiro et al.

(10) **Patent No.:** **US D721,833 S**
(45) **Date of Patent:** **** Jan. 27, 2015**

(54) **LIGHT SOURCE FOR LIGHT EMITTING DIODE LAMP**

Office Action issued from the Japan Patent Office on Nov. 30, 2012 in the counterpart Japanese Design Application No. 2012-015266.

(71) Applicant: **Toyoda Gosei Co., Ltd.**, Kiyosu-shi, Aichi-ken (JP)

* cited by examiner

(72) Inventors: **Tetsu Mizushiro**, Kiyosu (JP); **Yukihiko Umeda**, Kiyosu (JP)

Primary Examiner — Marcus Jackson

(74) *Attorney, Agent, or Firm* — Posz Law Group, PLC

(73) Assignee: **Toyoda Gosei Co., Ltd.**, Aichi-pref. (JP)

(57) **CLAIM**

The ornamental design for a light source for a light emitting diode lamp, as shown and described.

(**) Term: **14 Years**

(21) Appl. No.: **29/439,867**

DESCRIPTION

(22) Filed: **Dec. 17, 2012**

(30) **Foreign Application Priority Data**

Jun. 27, 2012 (JP) 2012-015264
Jun. 27, 2012 (JP) 2012-015265
Jun. 27, 2012 (JP) 2012-015266

FIG. 1 is a top plan perspective view of a first embodiment of a light source for a light emitting diode lamp showing our new design;

FIG. 2 is a bottom perspective view thereof;

FIG. 3 is a front view thereof;

FIG. 4 is a rear view thereof;

FIG. 5 is a top plan view thereof;

FIG. 6 is a bottom view thereof;

FIG. 7 is a left side view thereof;

FIG. 8 is a right side view thereof;

FIG. 9 is a top plan perspective view of a second embodiment of a light source for a light emitting diode lamp showing our new design;

FIG. 10 is a bottom perspective view thereof;

FIG. 11 is a front view thereof;

FIG. 12 is a rear view thereof;

FIG. 13 is a top plan view thereof;

FIG. 14 is a bottom view thereof;

FIG. 15 is a left side view thereof; and,

FIG. 16 is a right side view thereof.

This article is a light source for a light emitting diode lamp to be used as a light emitting diode lamp by connecting a rod-shaped light guide body to a connection part at the upper part of the front surface as shown in FIG. 9. A light emitting diode is provided at the end of the connection part.

(51) **LOC (10) Cl.** **26-04**

(52) **U.S. Cl.**
USPC **D26/3**

(58) **Field of Classification Search**
USPC D26/1-4; 313/313, 315, 316, 317, 318, 313/493; 315/52, 53, 56, 57, 58
See application file for complete search history.

(56) **References Cited**

U.S. PATENT DOCUMENTS

D506,274 S * 6/2005 Moriyama et al. D26/3
D606,673 S * 12/2009 Kao D26/3
D610,274 S * 2/2010 Cho D26/2
D611,172 S * 3/2010 Lin et al. D26/3
D636,504 S * 4/2011 Duster D26/3
D674,930 S * 1/2013 Zhang D26/3

OTHER PUBLICATIONS

English Summary of the Office Action for Japanese Design Application No. 2012-0125266.

1 Claim, 16 Drawing Sheets

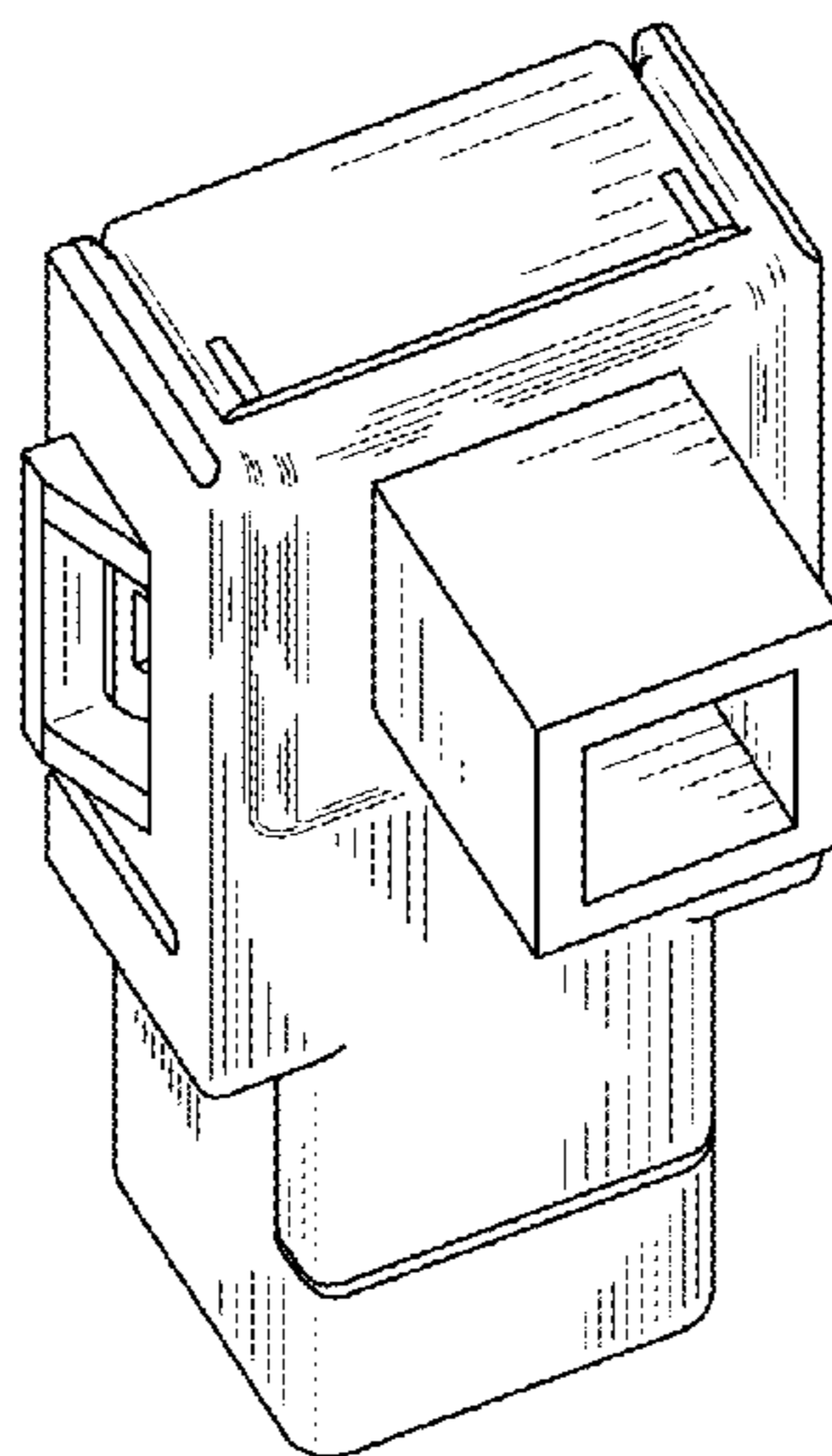


FIG. 1

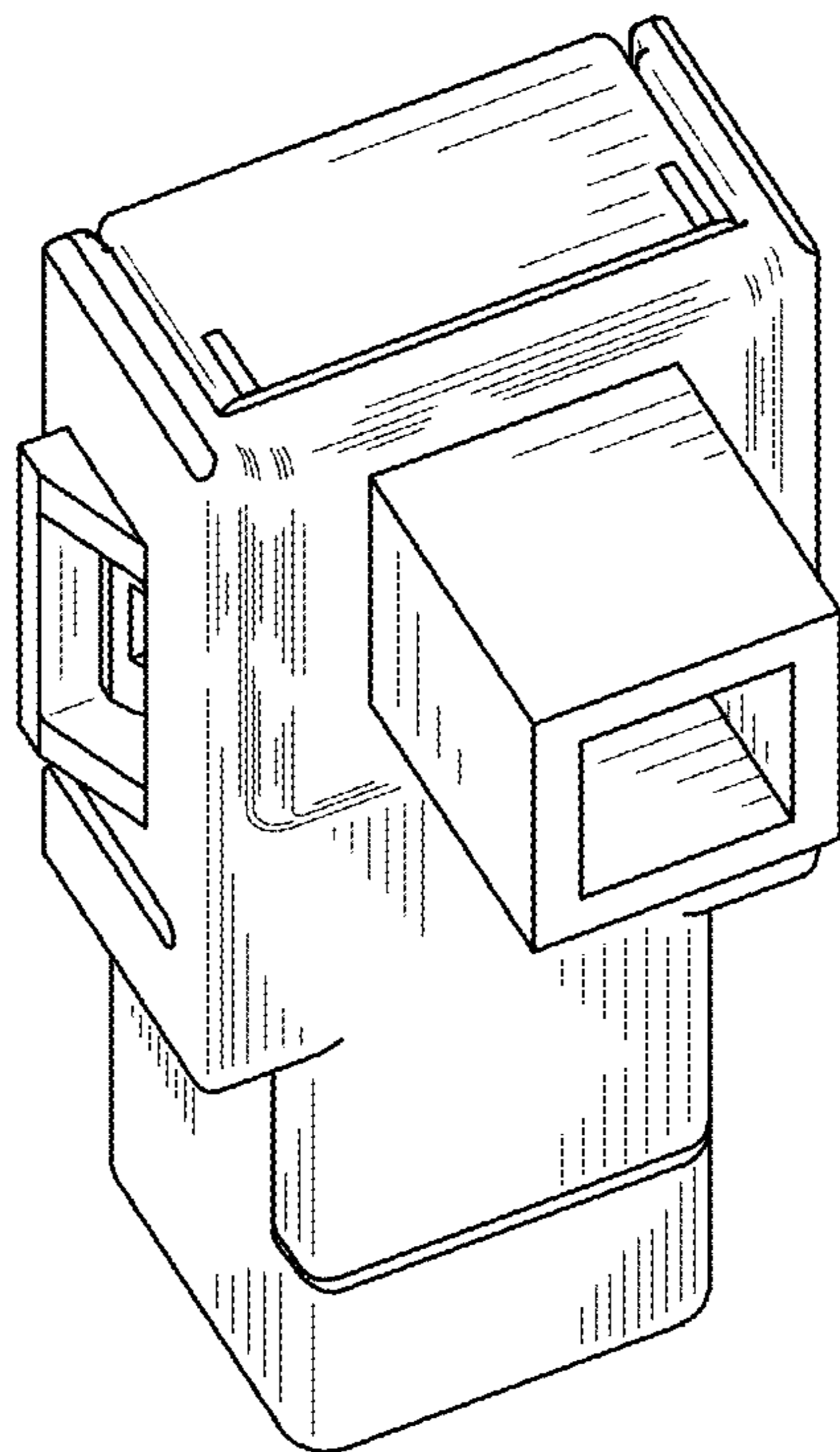


FIG. 2

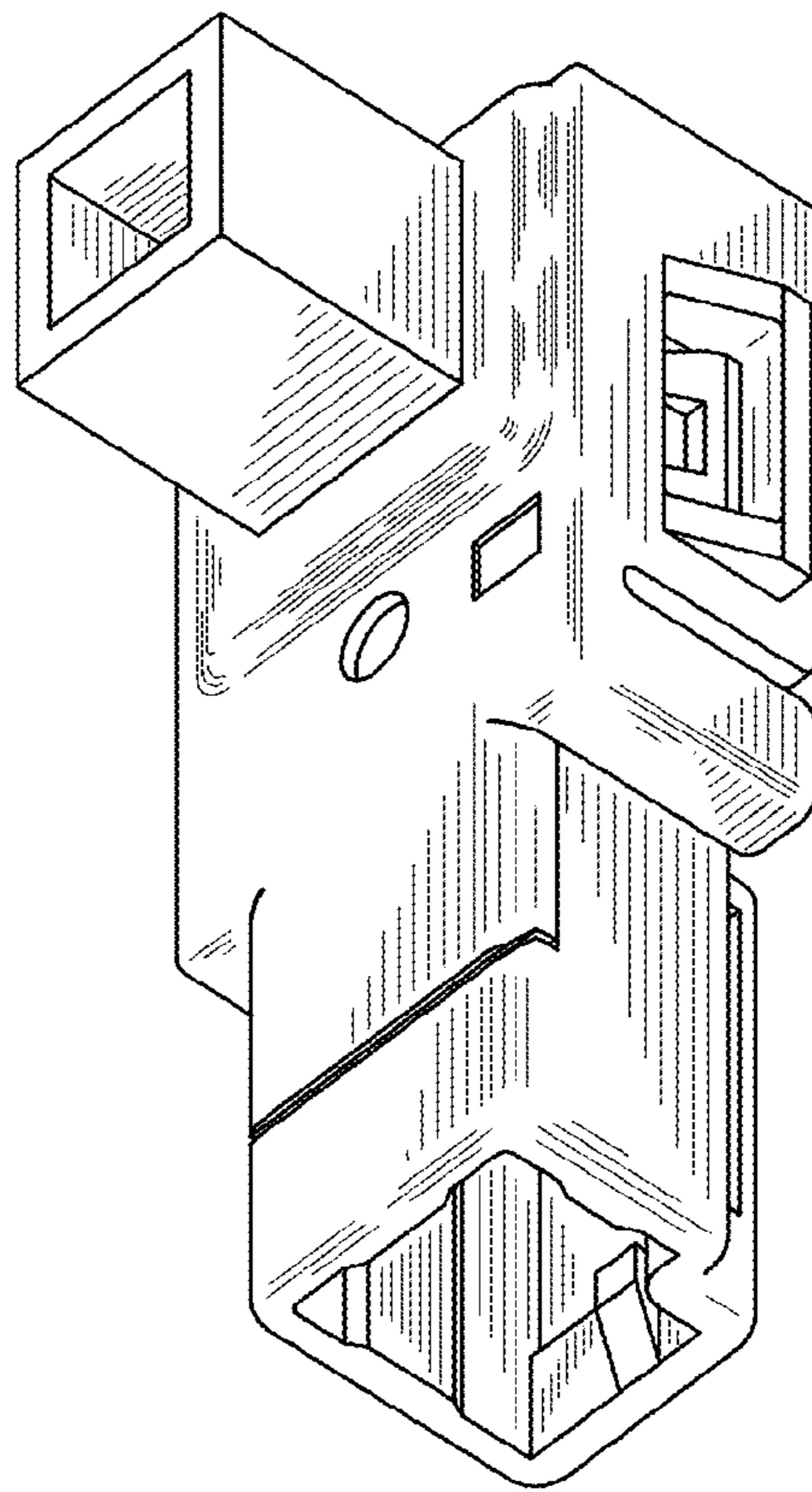


FIG. 3

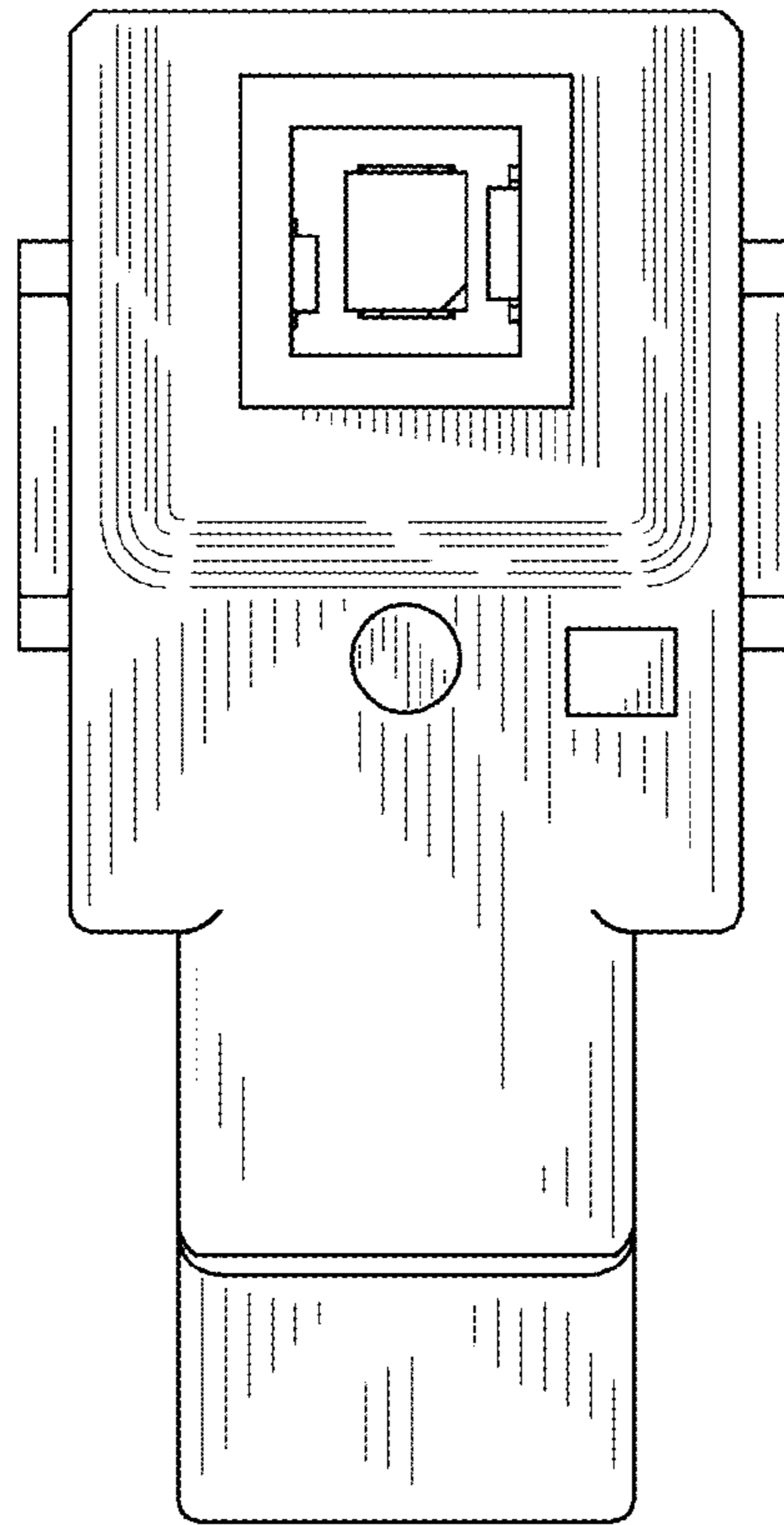


FIG. 4

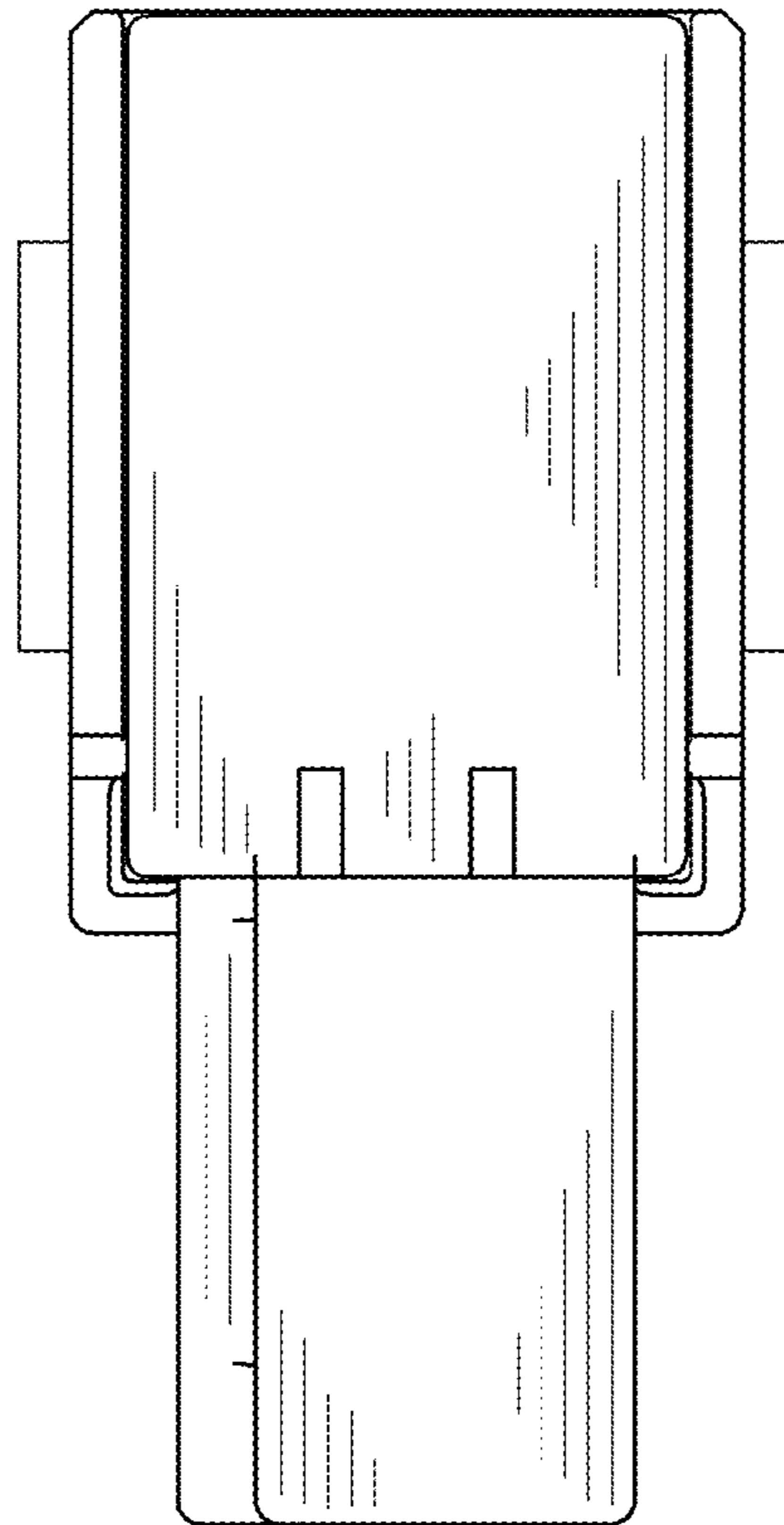


FIG. 5

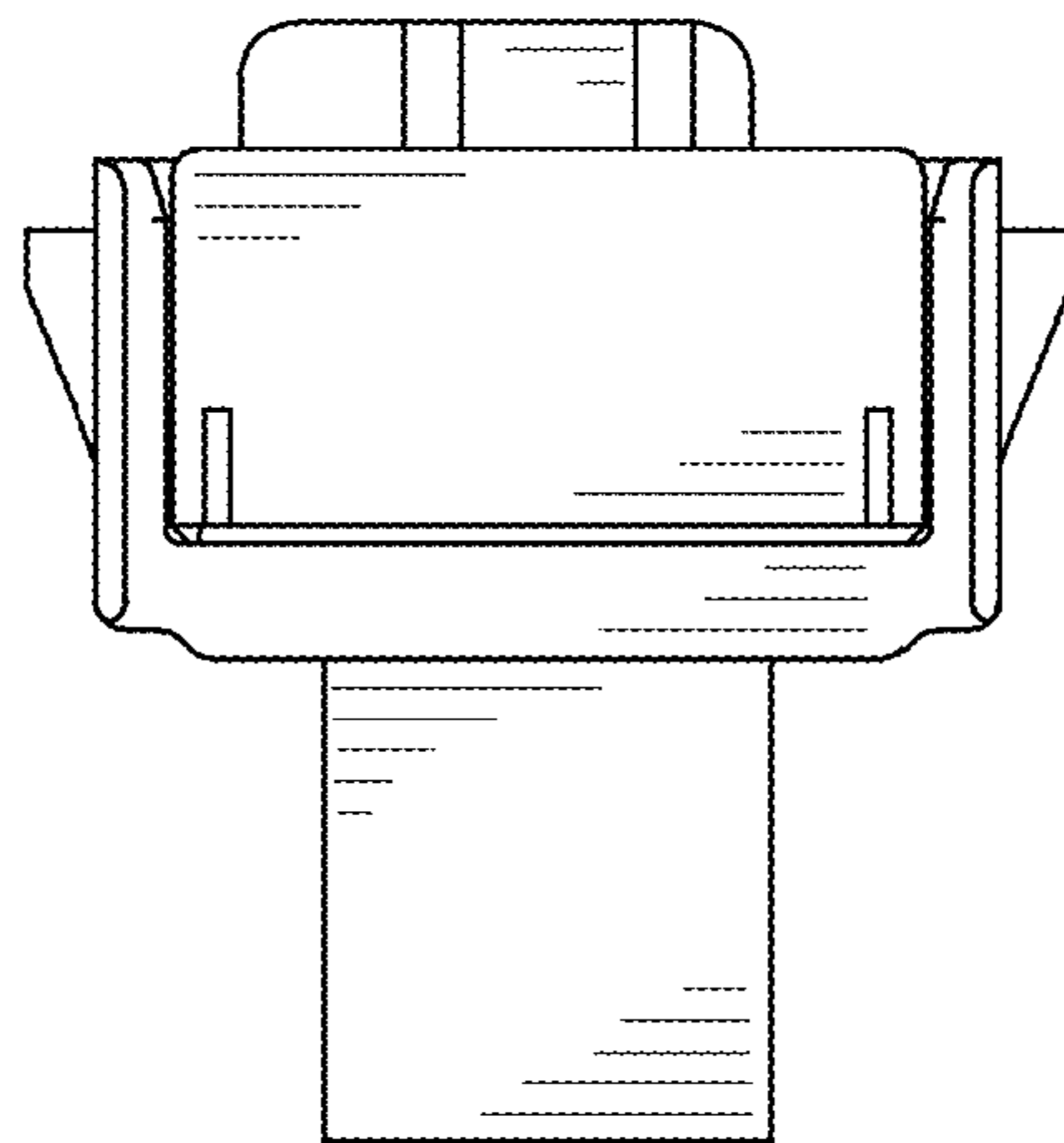


FIG. 6

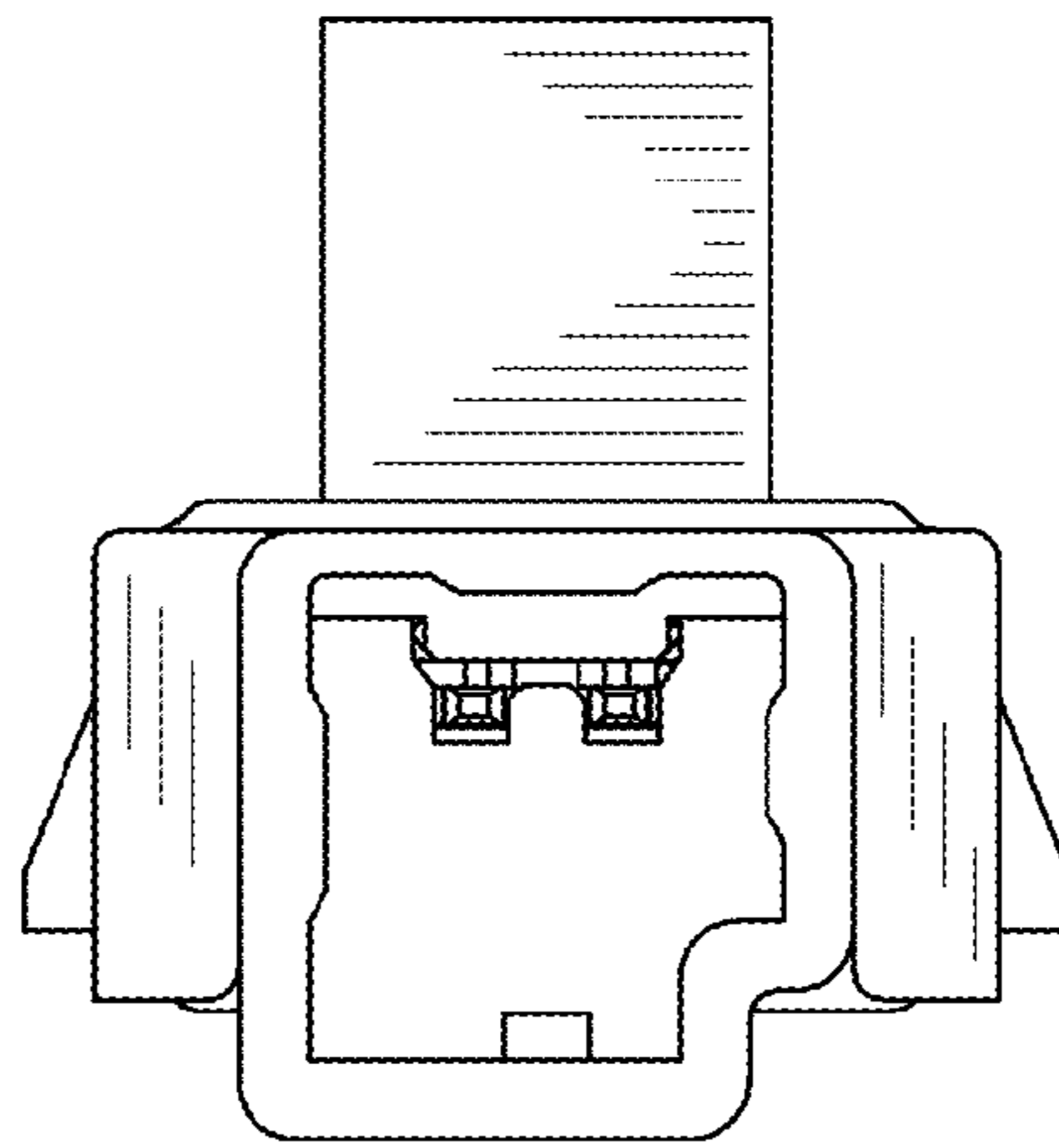


FIG. 7

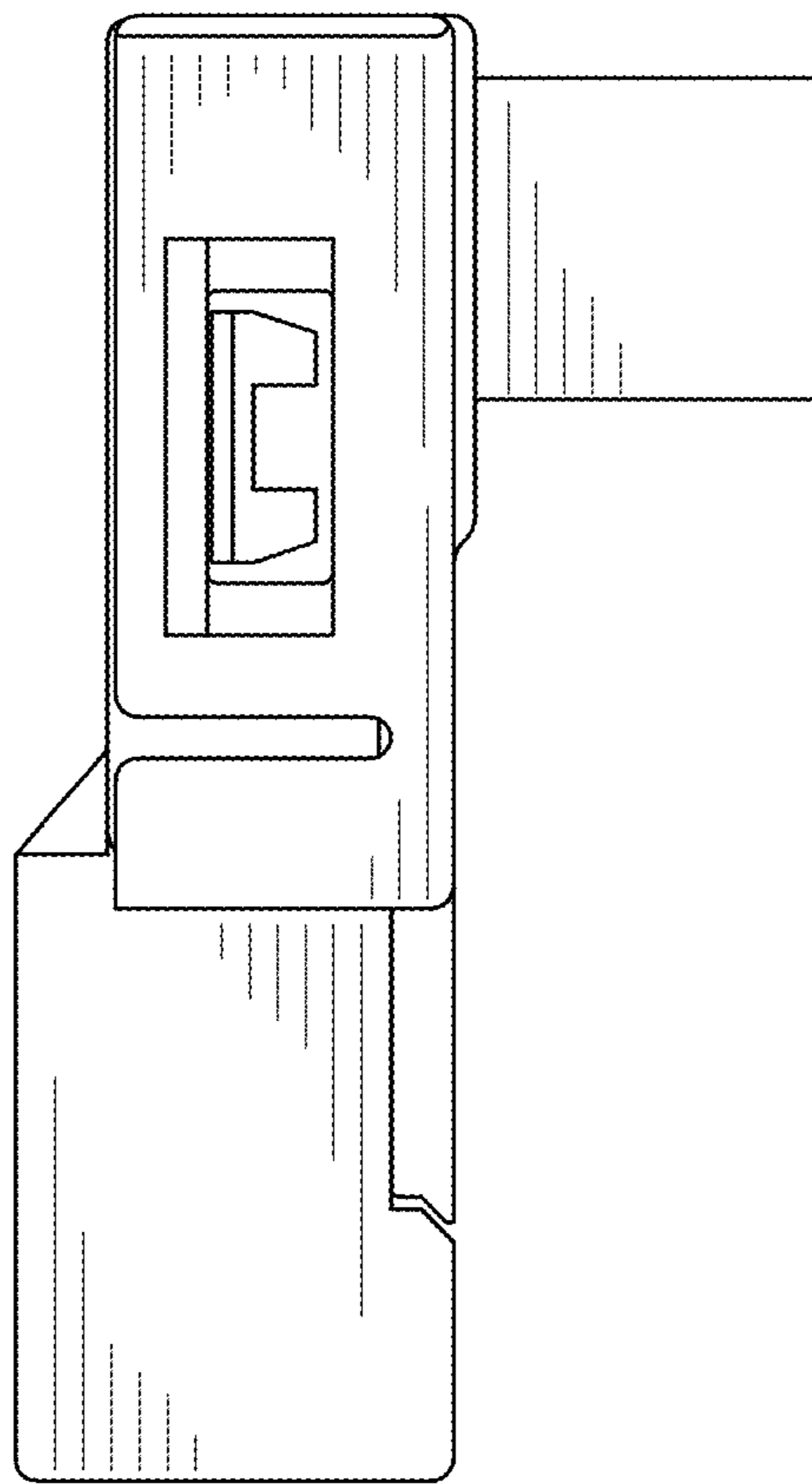


FIG. 8

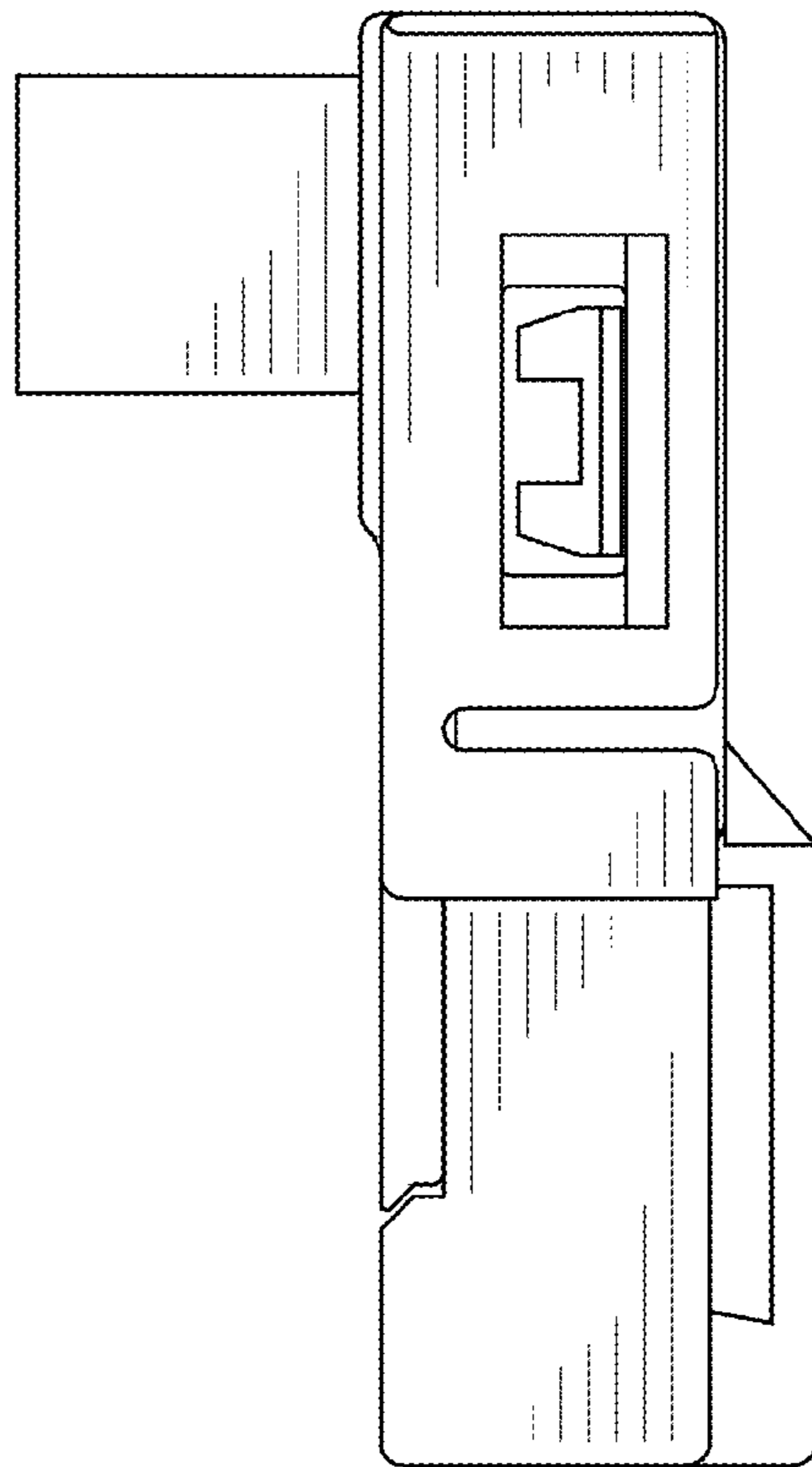


FIG. 9

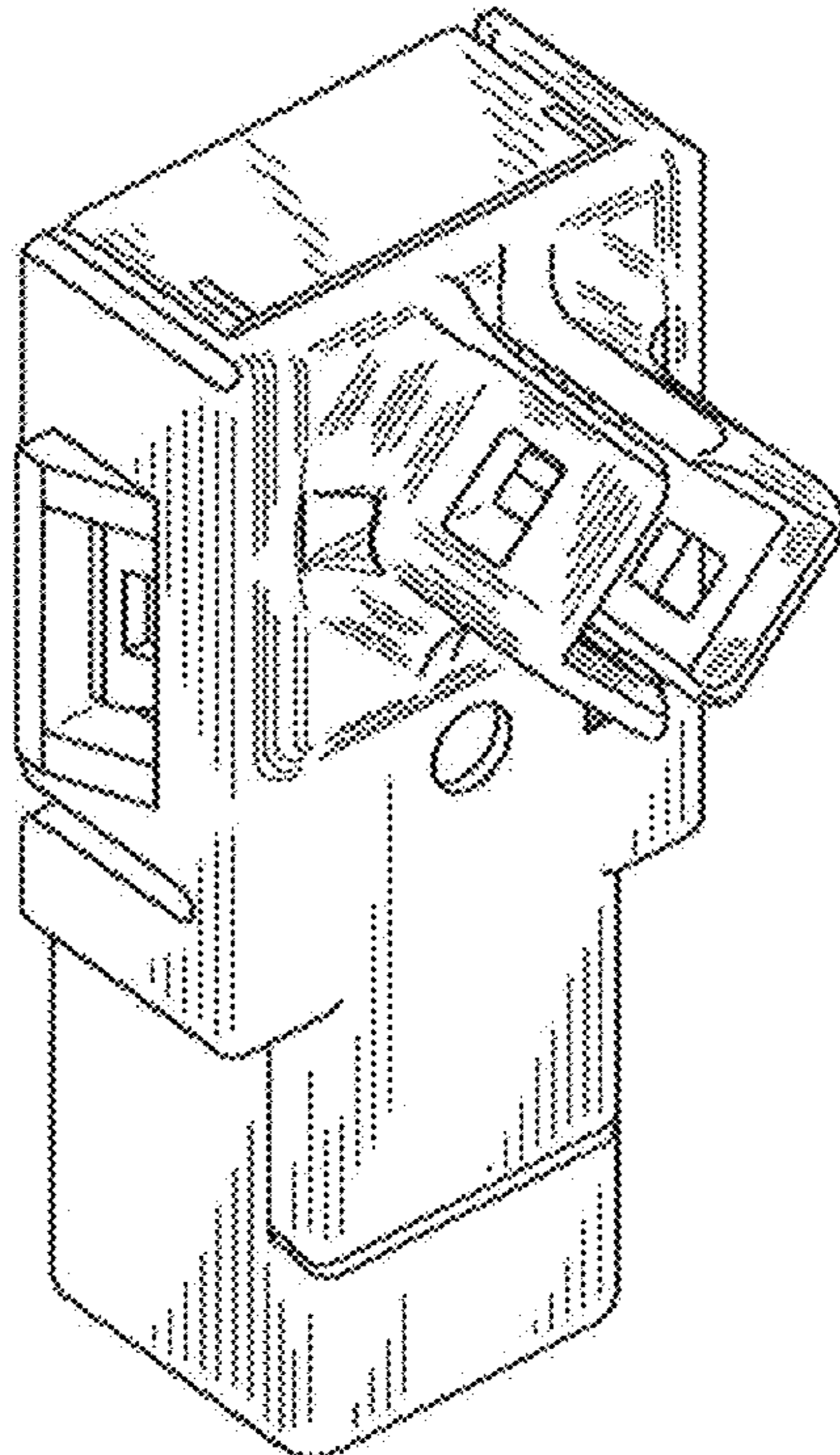


FIG. 10

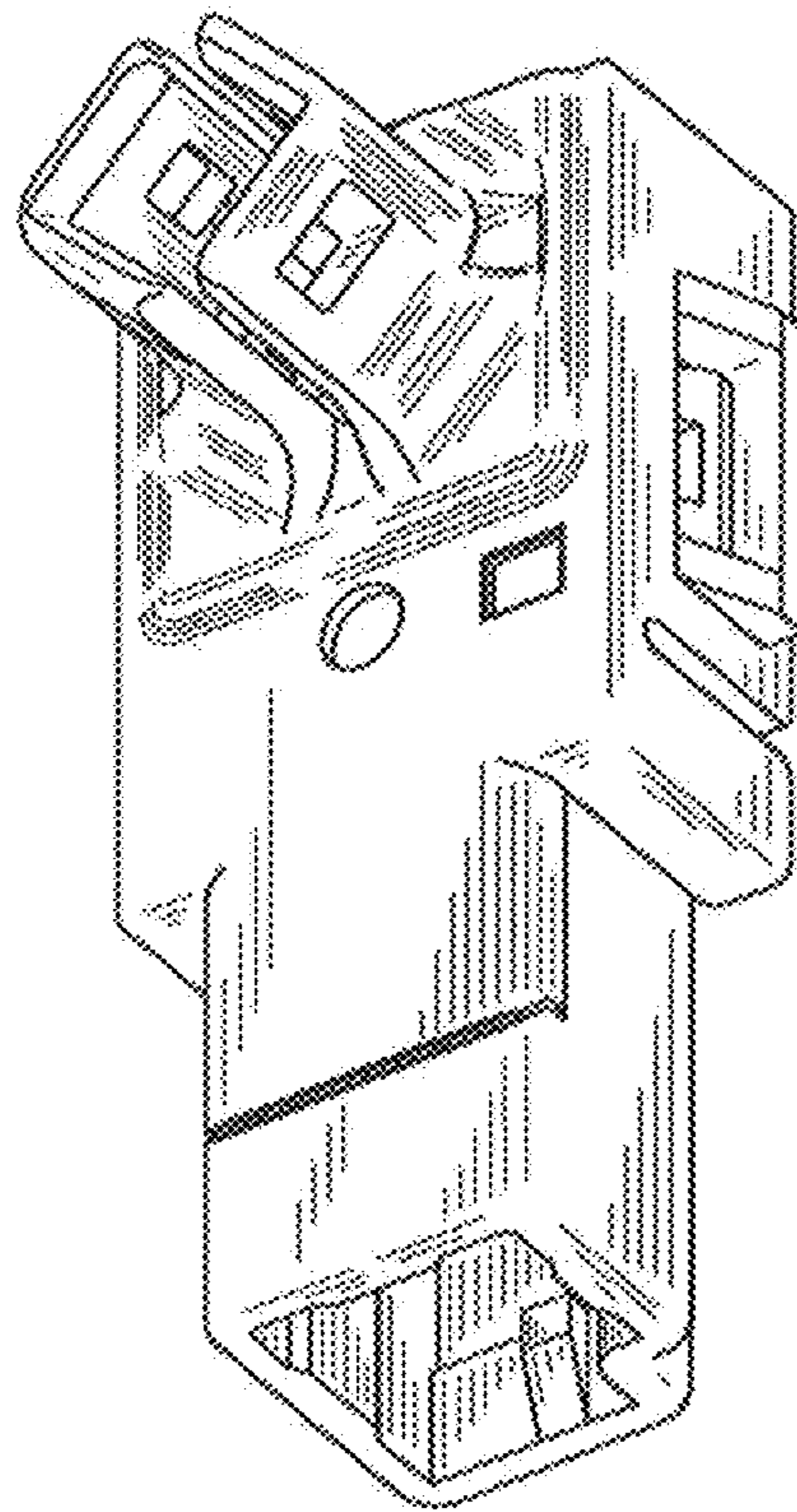


FIG. 11

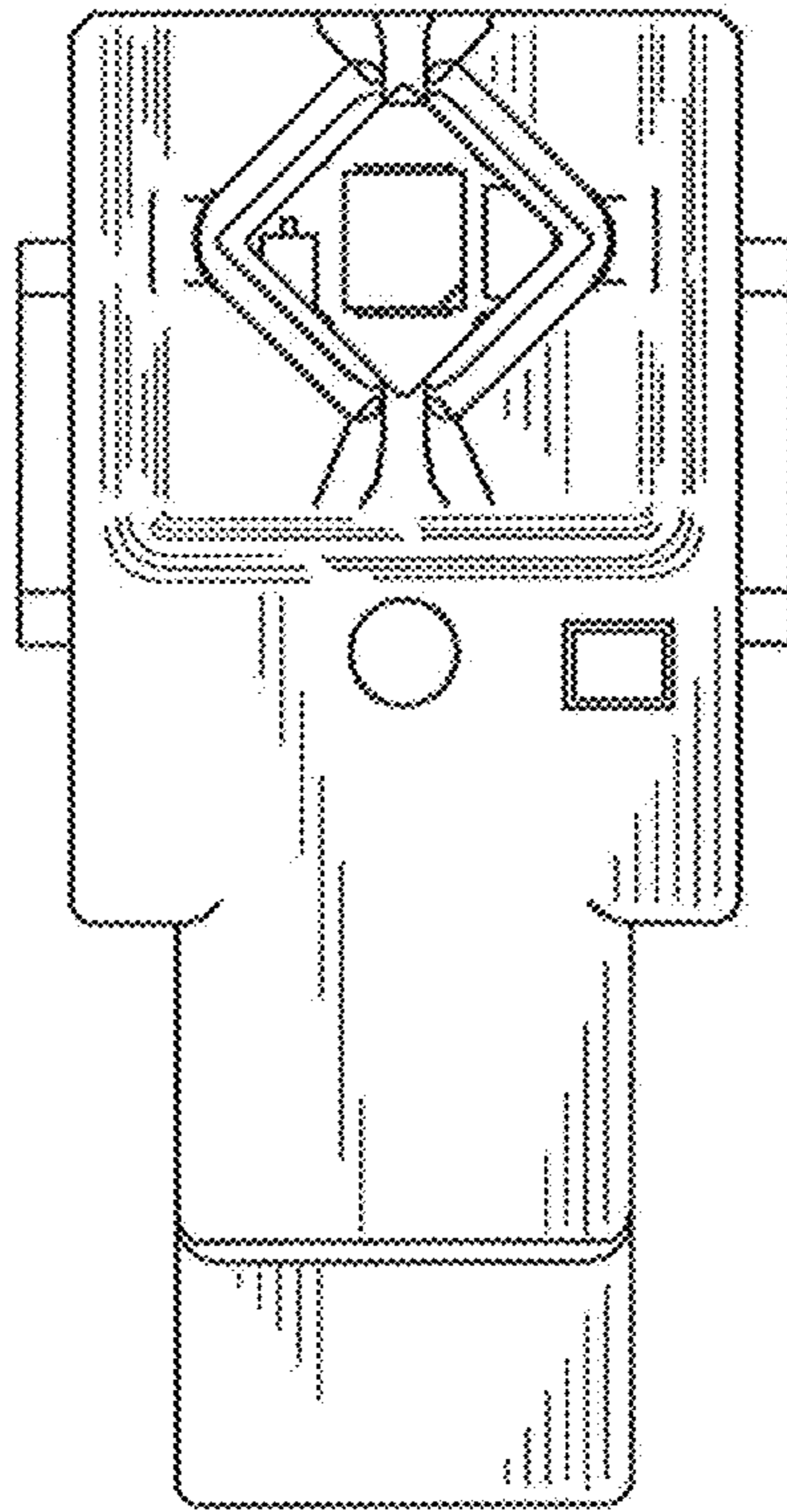


FIG. 12

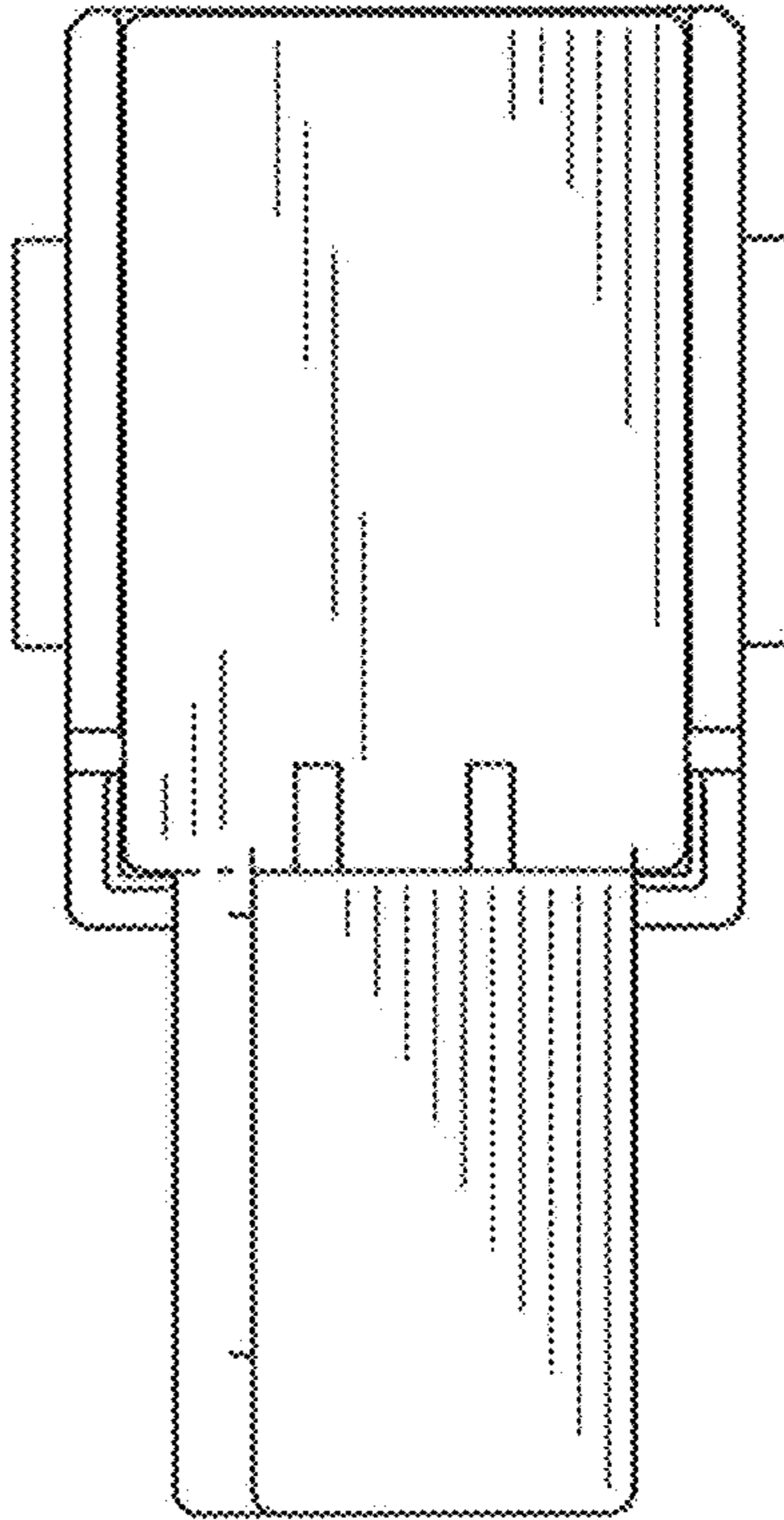


FIG. 13

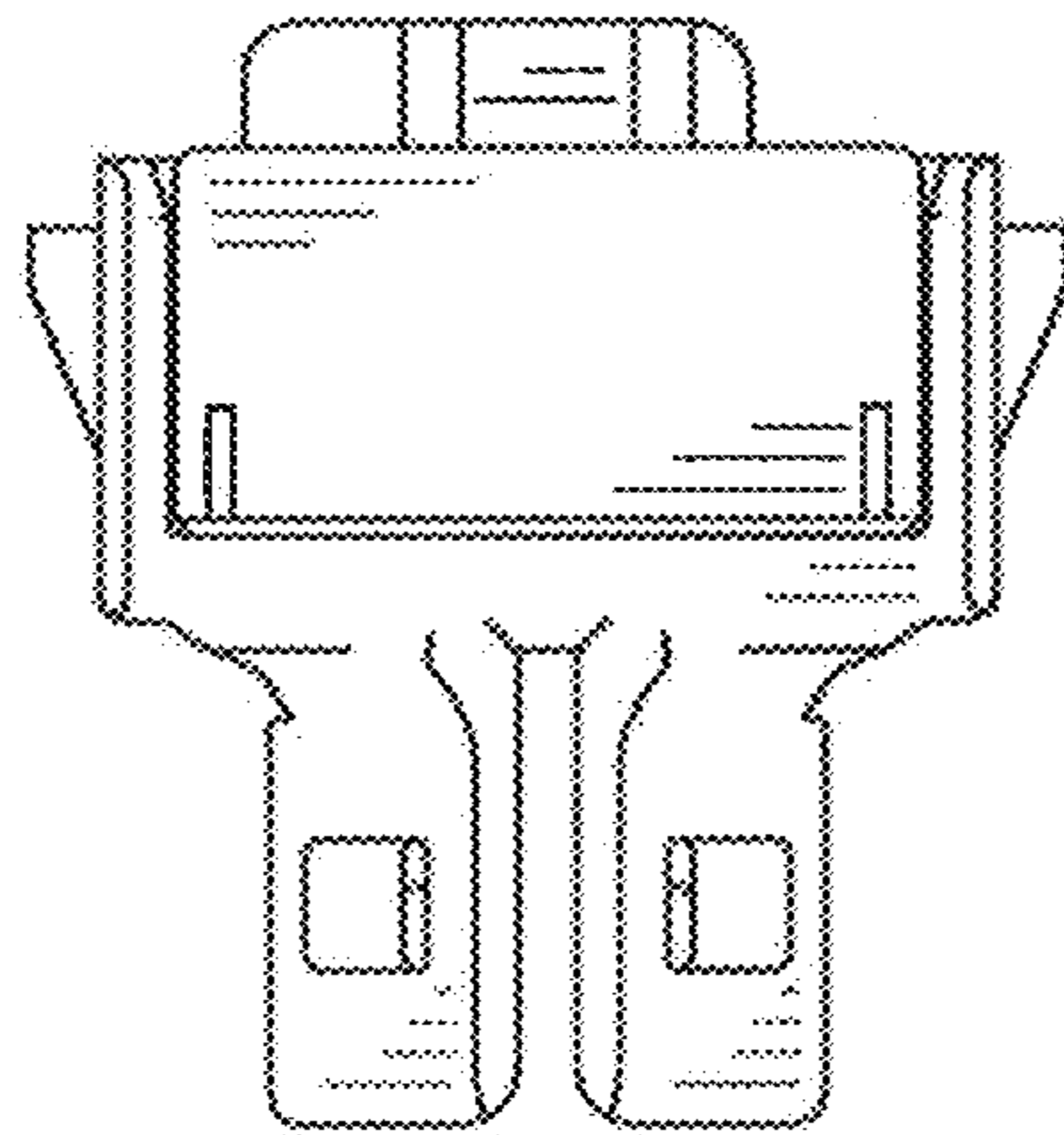


FIG. 14

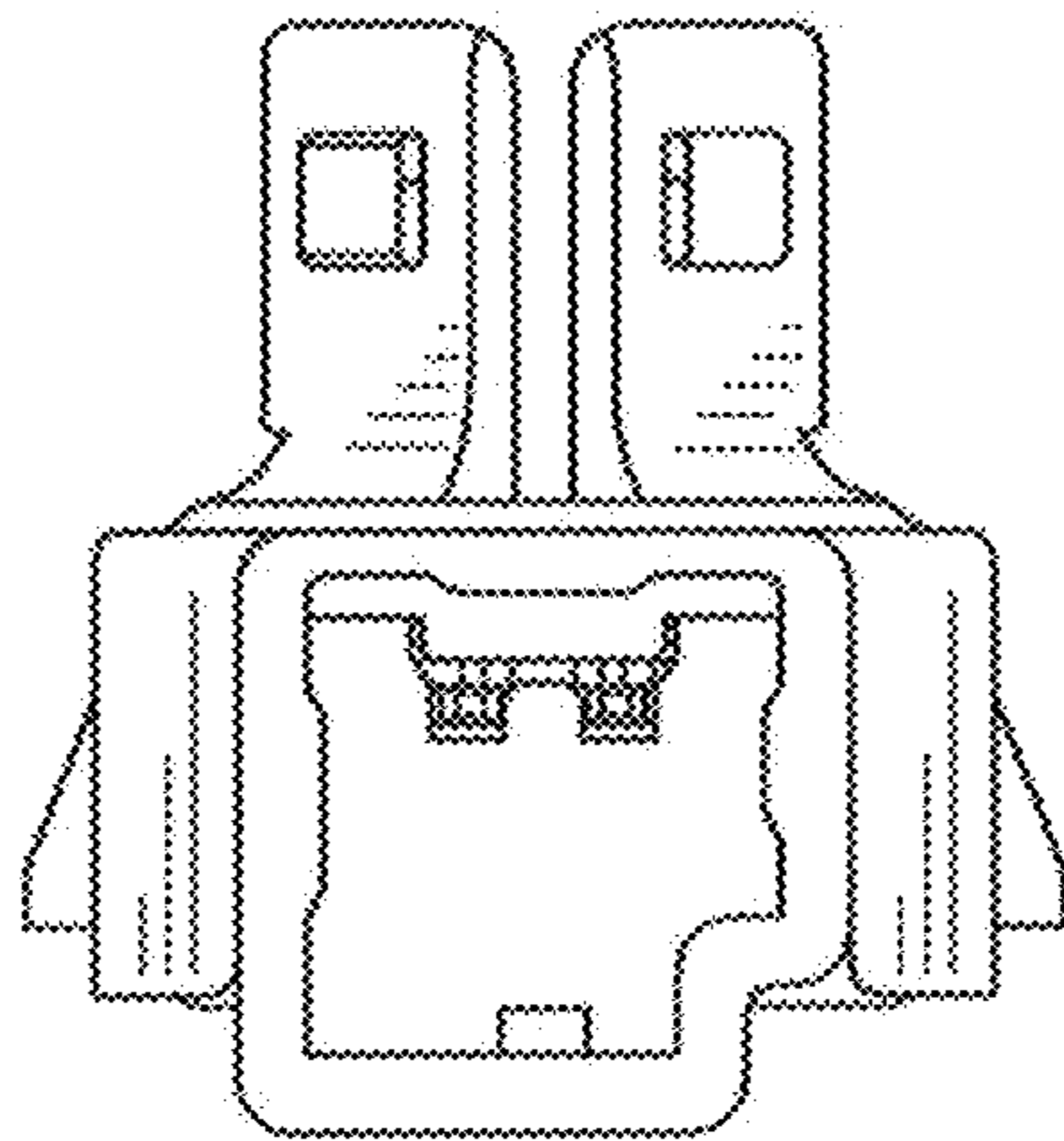


FIG. 15

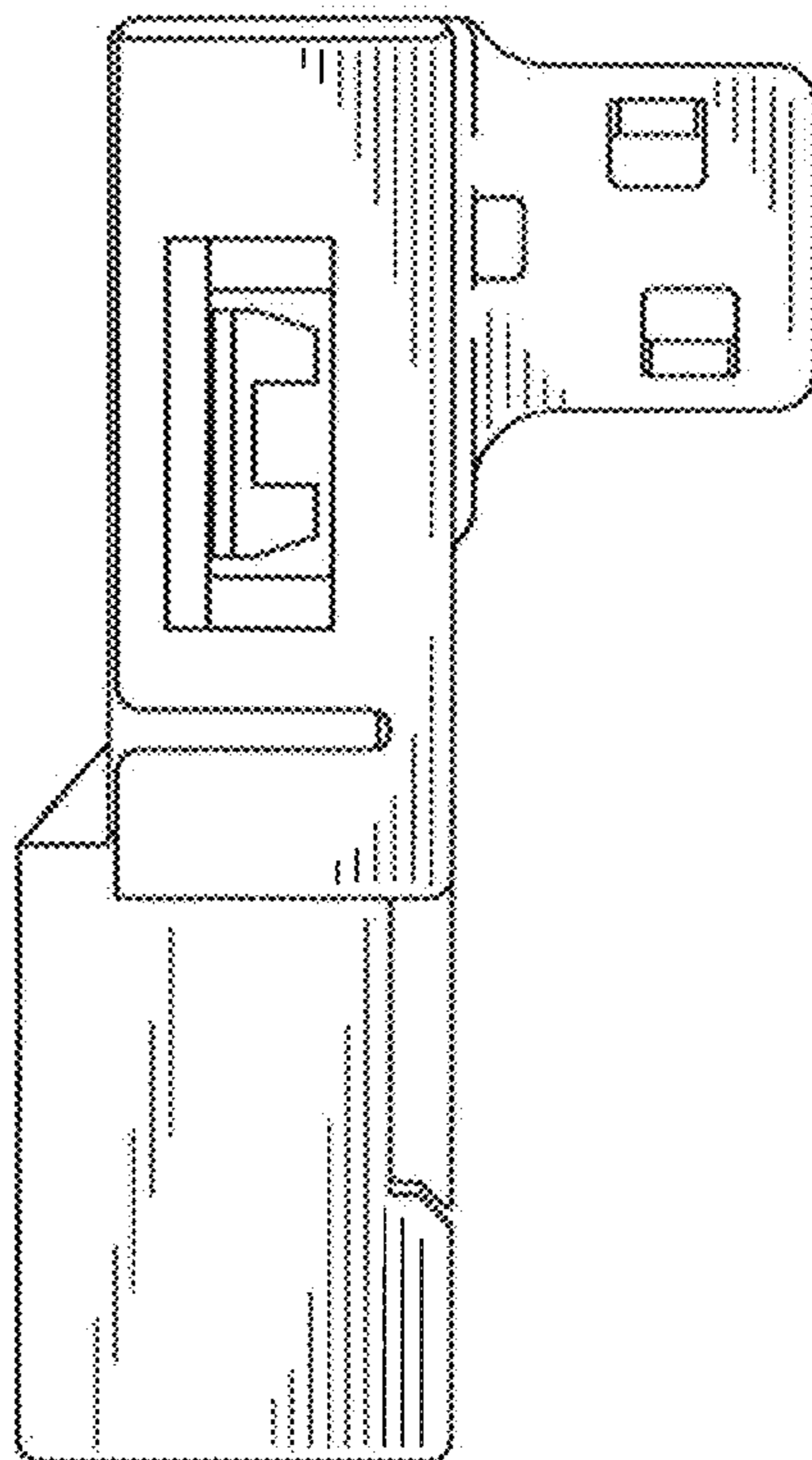


FIG. 16

