



US00D721830S

(12) **United States Design Patent**
Bukkems et al.

(10) **Patent No.:** **US D721,830 S**
(45) **Date of Patent:** **** Jan. 27, 2015**

(54) **LED BULB**

(71) Applicant: **Koninklijke Philips N.V.**, Eindhoven (NL)

(72) Inventors: **Peter Johannes Martinus Bukkems**, Deurne (NL); **Simon Eme Kadijk**, Veldhoven (NL); **Johannes Petrus Maria Ansems**, Hulsel (NL); **Peter Rijskamp**, Venray (NL)

(73) Assignee: **Koninklijke Philips N.V.**, Eindhoven (NL)

(**) Term: **14 Years**

(21) Appl. No.: **29/468,085**

(22) Filed: **Sep. 26, 2013**

(30) **Foreign Application Priority Data**

Mar. 29, 2013 (EM) 002211946-0008

(51) **LOC (10) Cl.** **26-06**

(52) **U.S. Cl.**
USPC **D26/2**

(58) **Field of Classification Search**
USPC D26/1-4; 313/313, 315, 316, 317, 318, 313/493; 315/52, 53, 56, 57, 58

See application file for complete search history.

(56) **References Cited**

U.S. PATENT DOCUMENTS

D499,820 S *	12/2004	Foo	D26/2
D508,575 S *	8/2005	Buschmann et al.	D26/2
D528,673 S *	9/2006	Maxik et al.	D26/2
D534,665 S *	1/2007	Egawa et al.	D26/2
D549,854 S *	8/2007	Takahashi	D26/2
D574,091 S *	7/2008	Sun	D26/2
D589,175 S *	3/2009	Xue	D26/2

* cited by examiner

Primary Examiner — Marcus Jackson

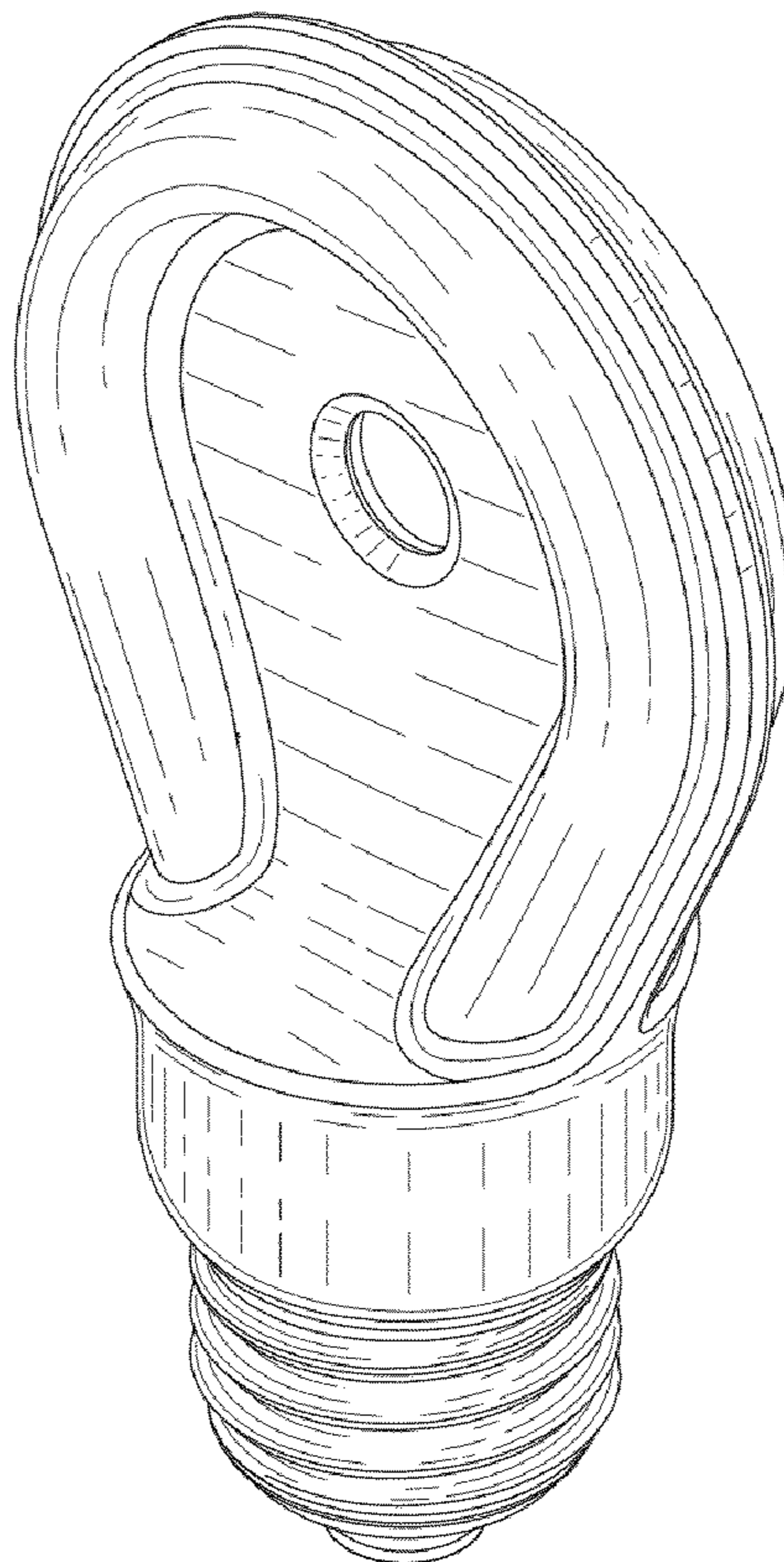
(57) **CLAIM**

The ornamental design for a LED bulb, as shown.

DESCRIPTION

FIG. 1 is a perspective view showing my design;
FIG. 2 is a front elevational view thereof;
FIG. 3 is a rear elevational view thereof;
FIG. 4 is a right side elevational view thereof;
FIG. 5 is a left side elevational view thereof;
FIG. 6 is a top plan view thereof; and,
FIG. 7 is a bottom plan view thereof.

1 Claim, 4 Drawing Sheets



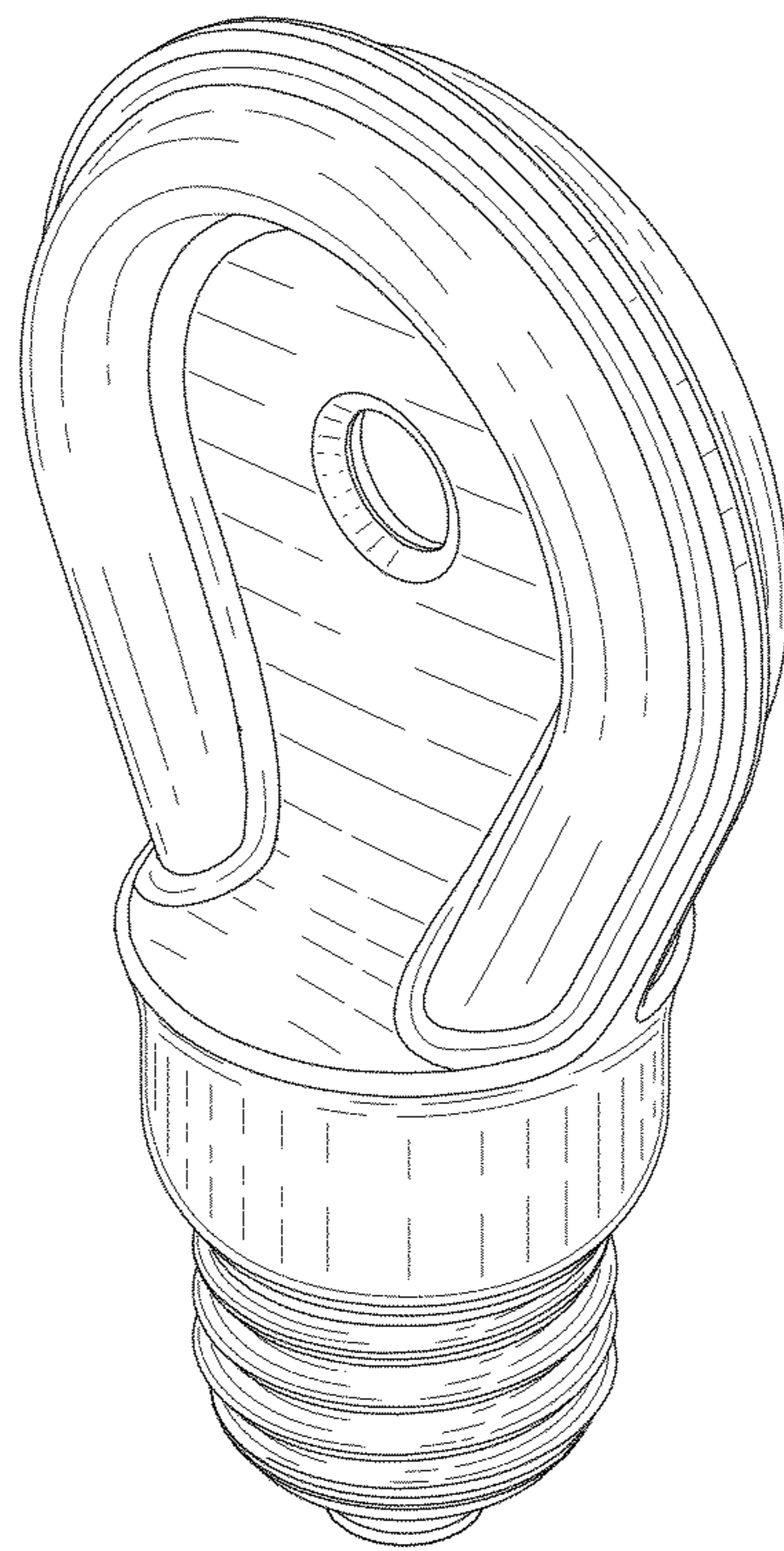


FIG. 1

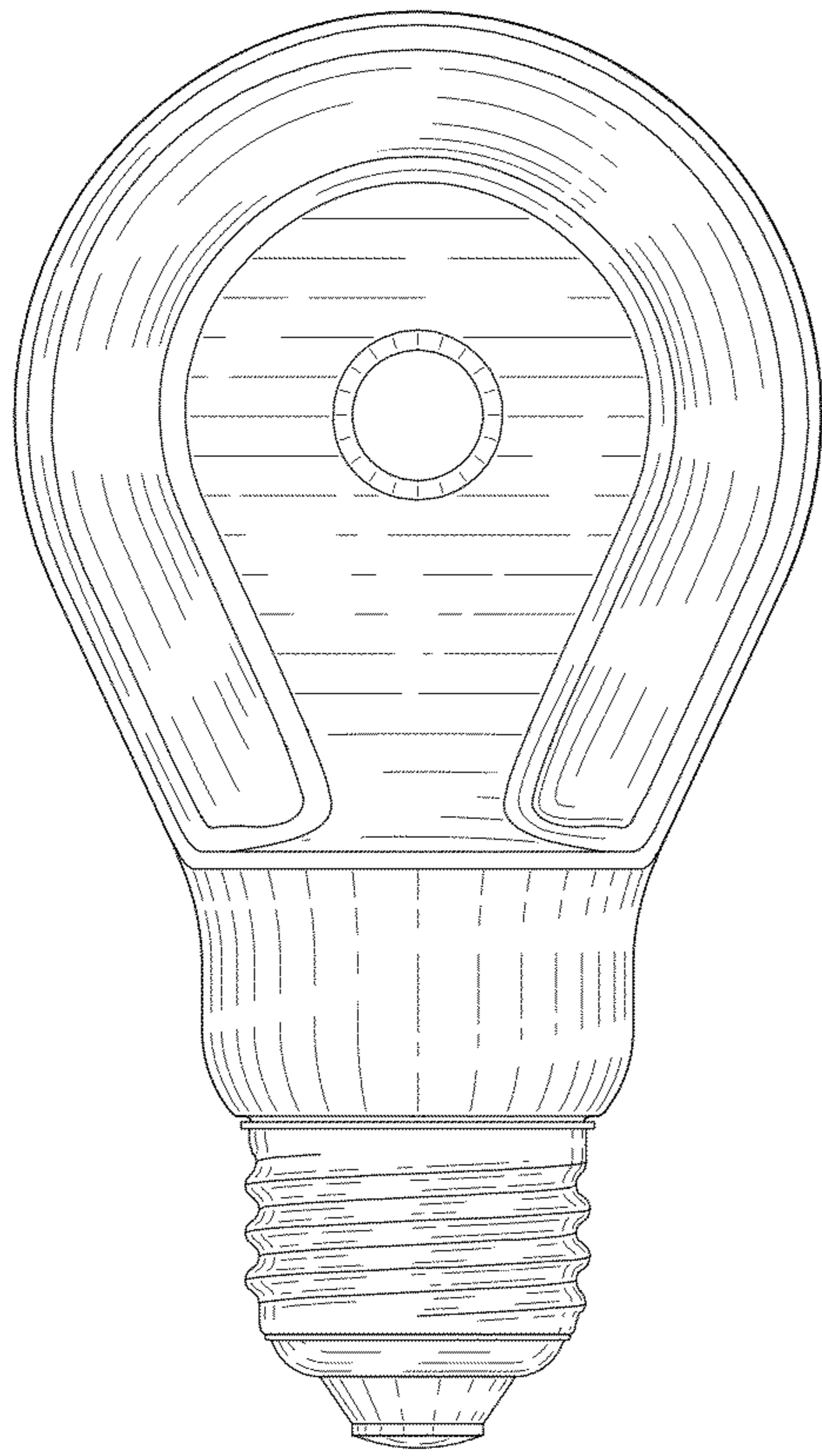


FIG. 2

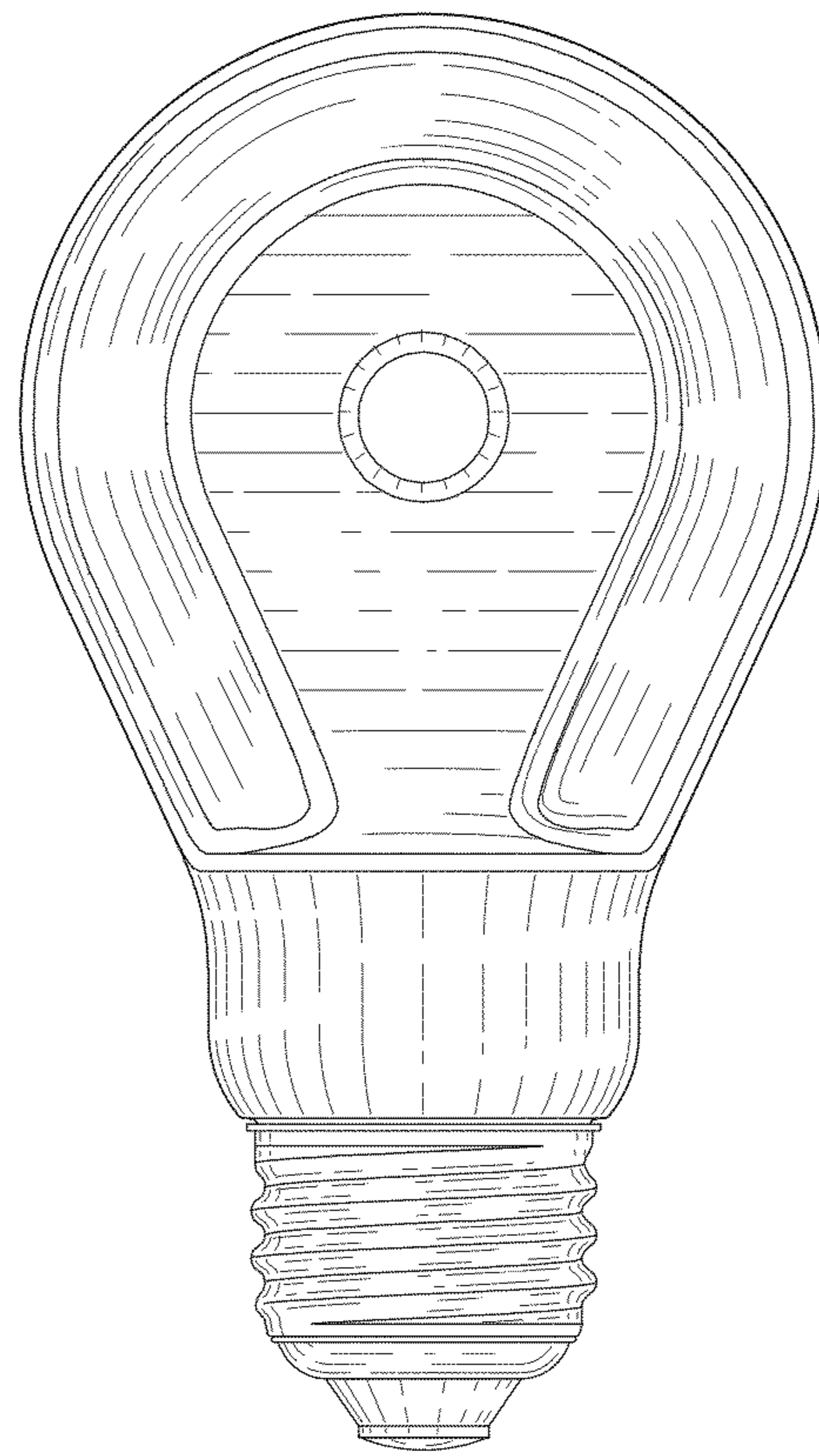


FIG. 3

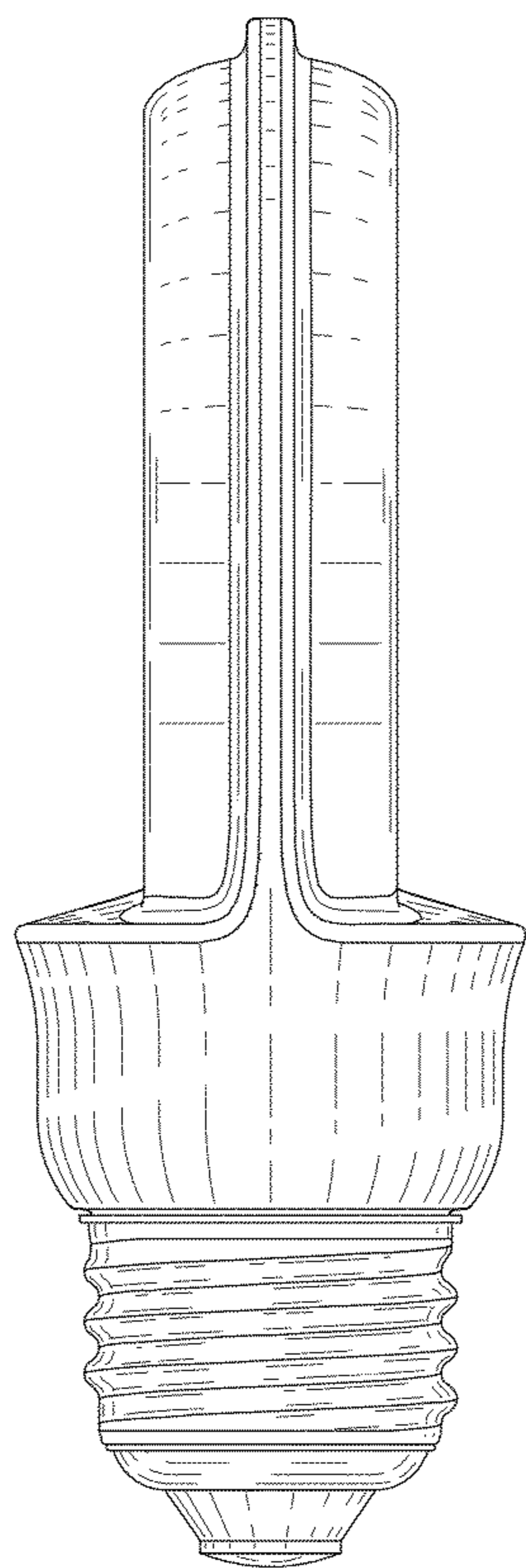


FIG. 4

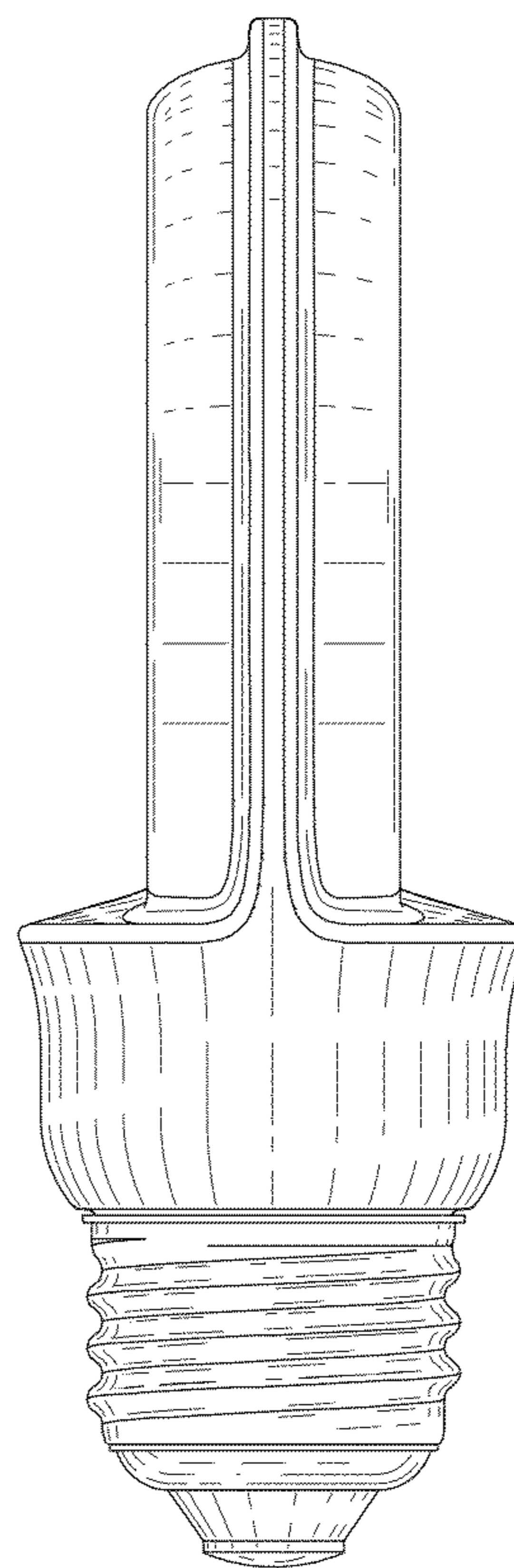


FIG. 5

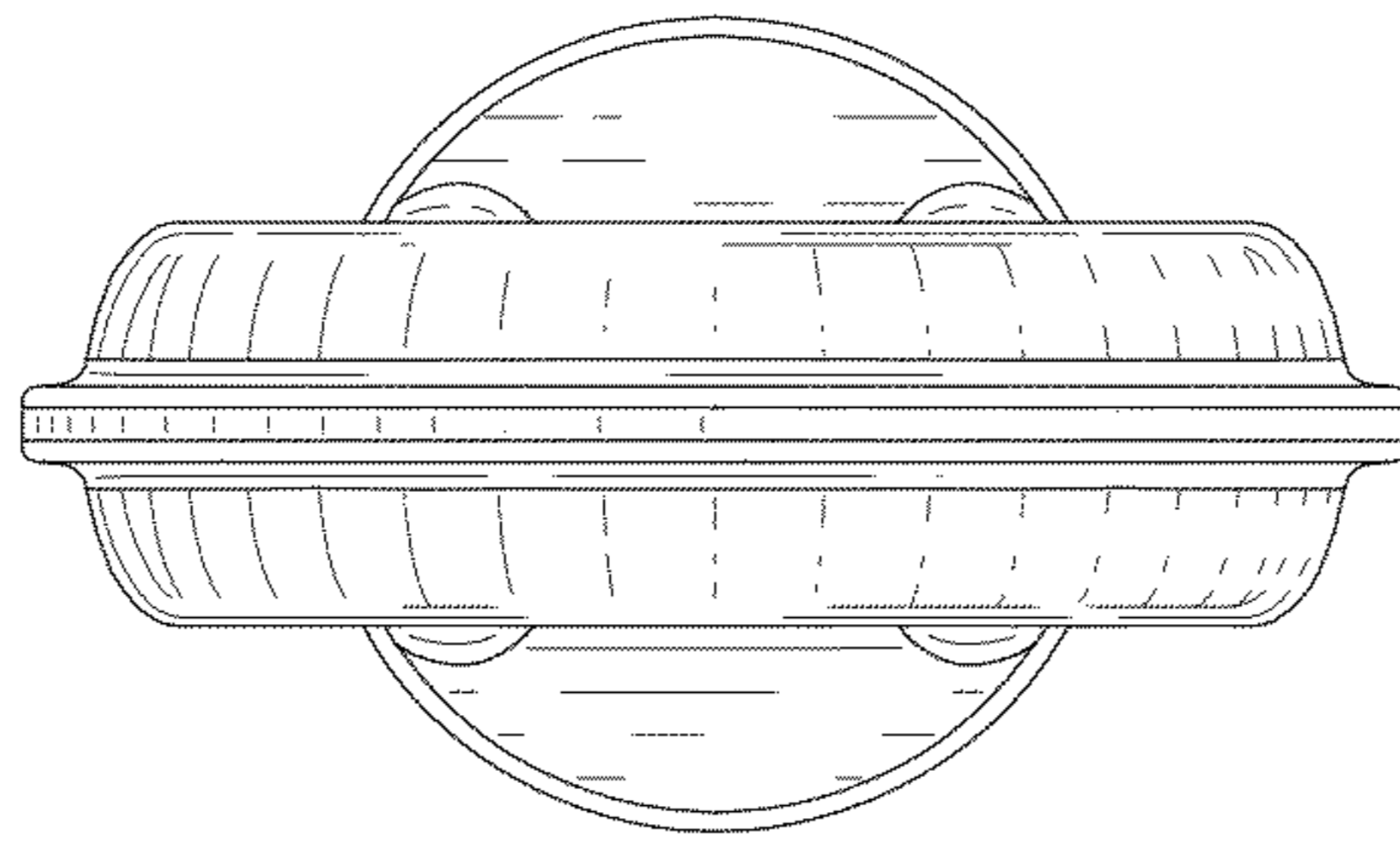


FIG. 6

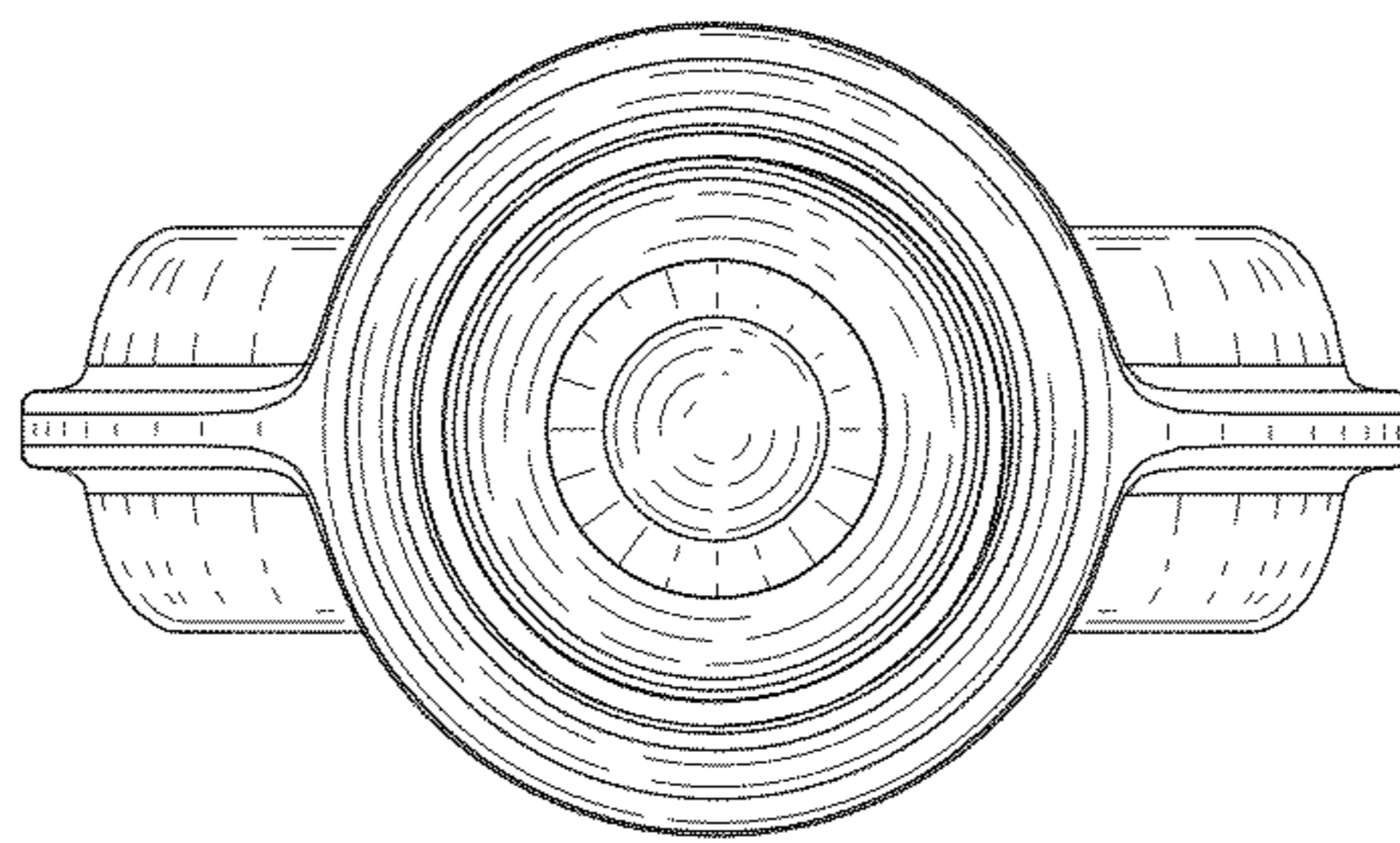


FIG. 7