



US00D721828S

(12) **United States Design Patent**
Chen et al.

(10) **Patent No.:** **US D721,828 S**
(45) **Date of Patent:** **** Jan. 27, 2015**

(54) **LED LAMP**

(71) Applicants: **Shanghai Sansi Electronics Engineering Co., Ltd.**, Shanghai (CN); **Shanghai Sansi Technology Co., Ltd.**, Shanghai (CN); **Jiashan Sansi Photoelectricity Technology Co., Ltd.**, Jiaxing, Zhejiang (CN)

(72) Inventors: **Ming Chen**, Shanghai (CN); **Yanyan Sun**, Shanghai (CN); **Zheng Jia**, Shanghai (CN); **Fengqin Yang**, Shanghai (CN)

(73) Assignees: **Shanghai Sansi Electronics Engineering Co., Ltd.**, Shanghai (CN); **Shanghai Sansi Technology Co., Ltd.**, Shanghai (CN); **Jiashan Sansi Photoelectric Technology Co., Ltd.**, Jiaxing, Zhejiang Province (CN)

(**) Term: **14 Years**

(21) Appl. No.: **29/446,581**

(22) Filed: **Feb. 26, 2013**

(51) **LOC (10) Cl.** **26-04**

(52) **U.S. Cl.**
USPC **D26/2**

(58) **Field of Classification Search**
USPC D26/1-4; 313/313, 315, 316, 317, 318, 313/493; 315/52, 53, 56, 57, 58
See application file for complete search history.

(56) **References Cited**

U.S. PATENT DOCUMENTS

D553,266	S	*	10/2007	Maxik	D26/2
D566,300	S	*	4/2008	Lo	D26/2
D584,838	S	*	1/2009	To et al.	D26/2
D646,802	S	*	10/2011	Guohui	D26/2
D695,426	S	*	12/2013	Tu	D26/2

* cited by examiner

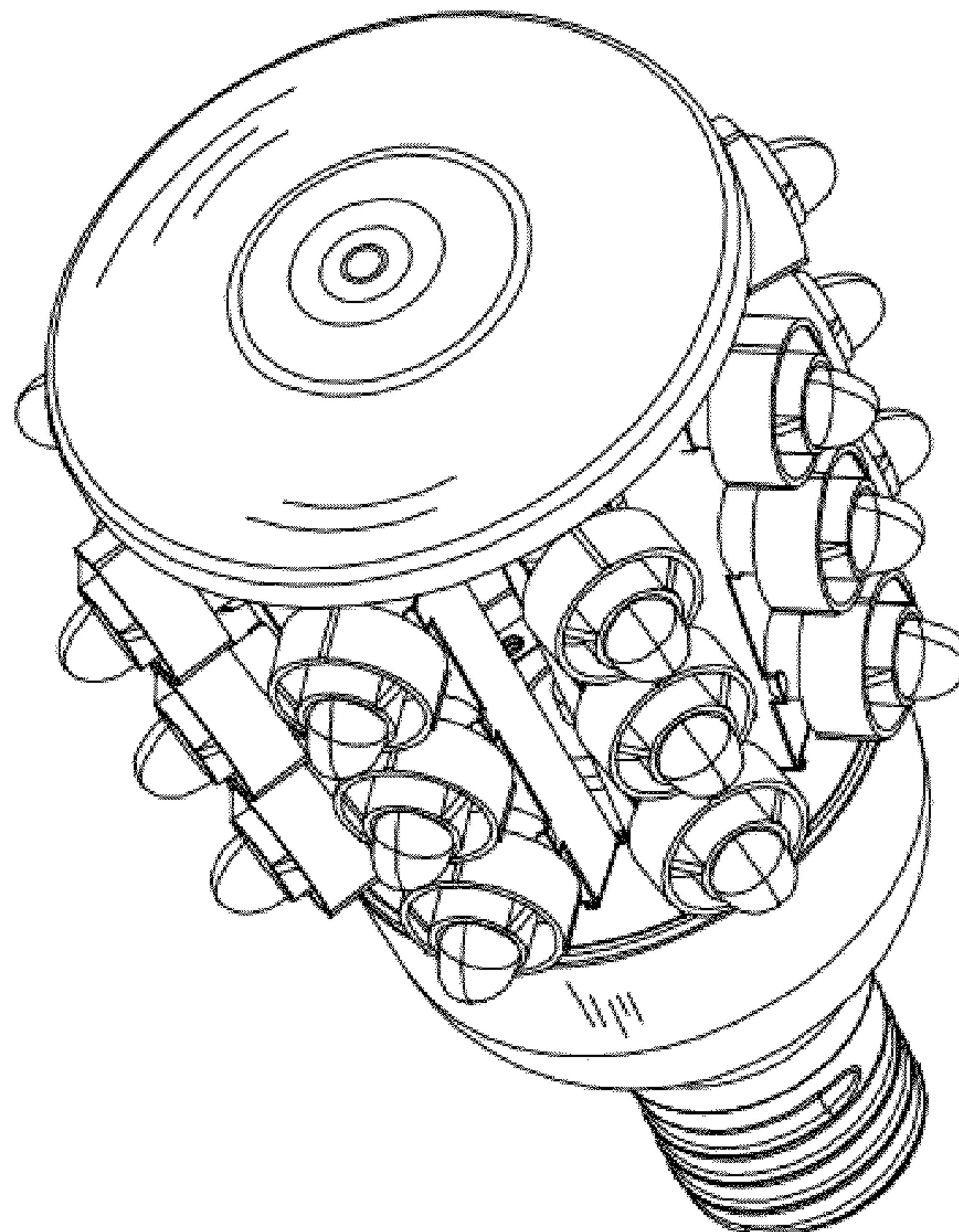
Primary Examiner — Marcus Jackson

(57) **CLAIM**
The ornamental design for a LED lamp, as shown.

DESCRIPTION

FIG. 1 is a perspective view of a LED lamp, showing my new design.
FIG. 2 is a front elevational view thereof.
FIG. 3 is a rear elevational view thereof.
FIG. 4 is a left side elevational view thereof.
FIG. 5 is a right side elevational view thereof.
FIG. 6 is a top plan view thereof; and,
FIG. 7 is a bottom plan view thereof.

1 Claim, 1 Drawing Sheet



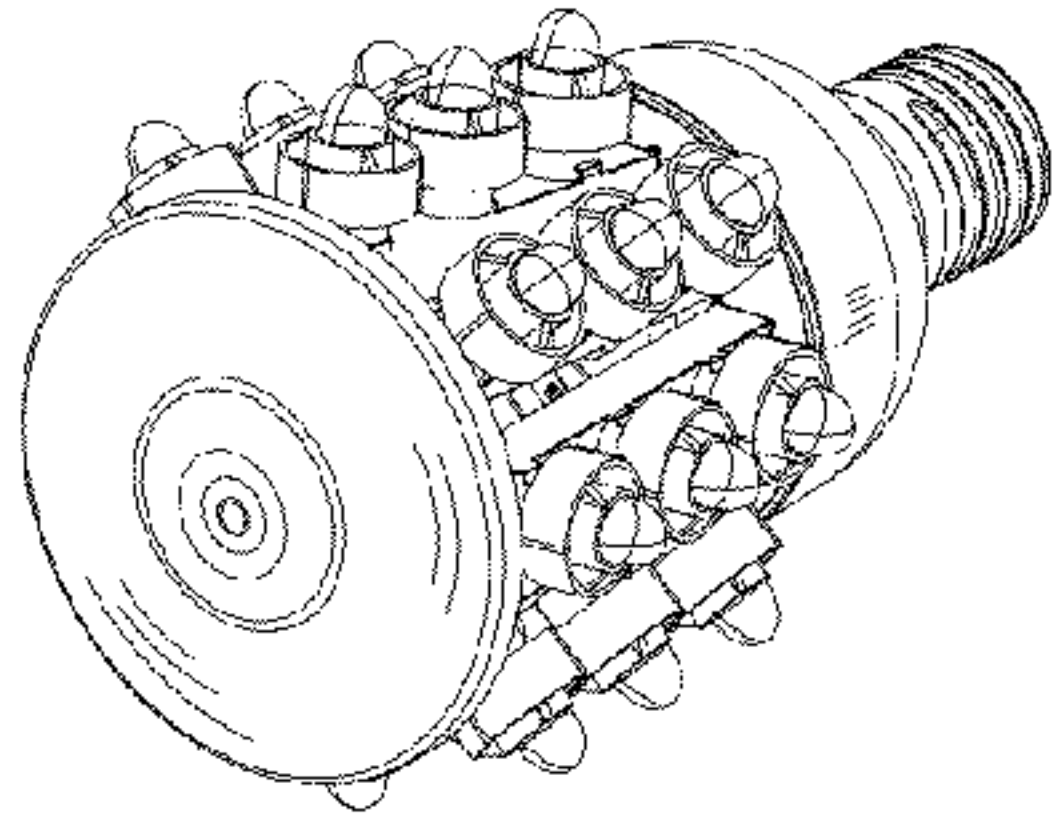


Fig. 1

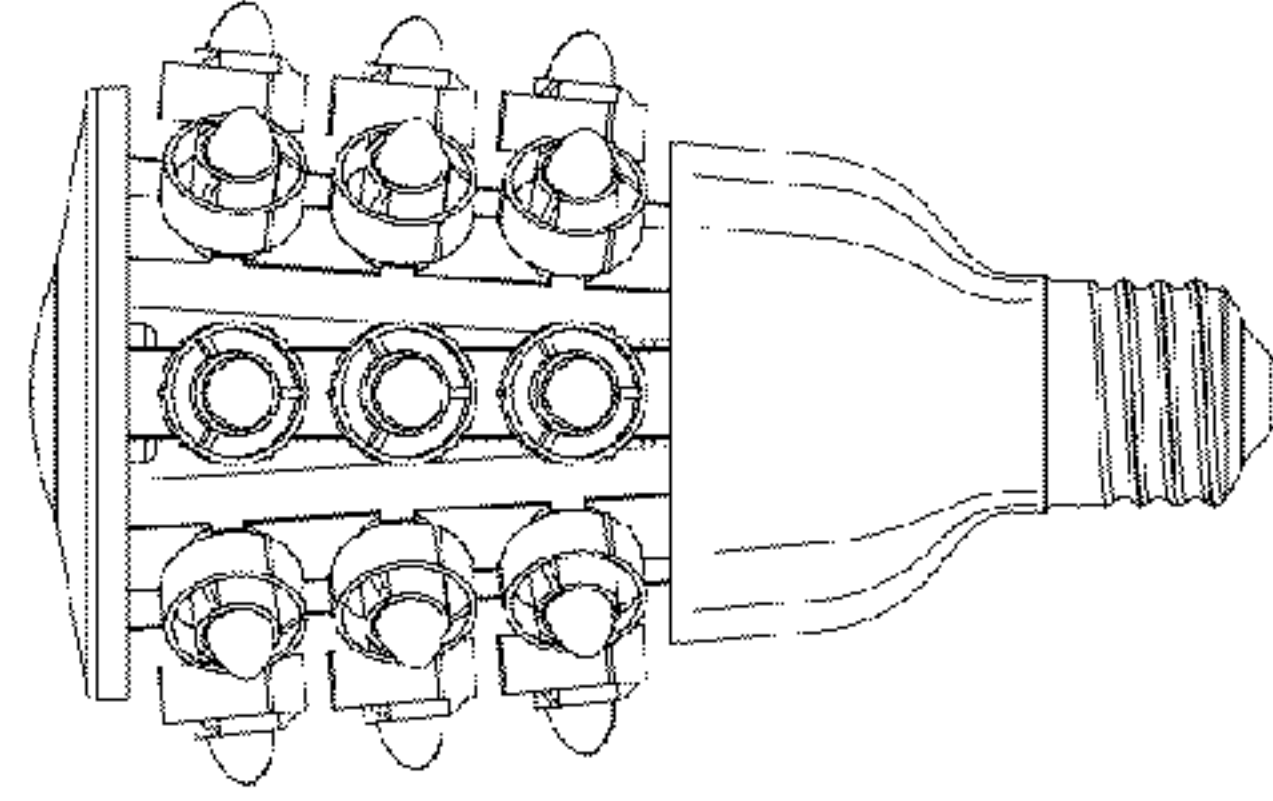


Fig. 3

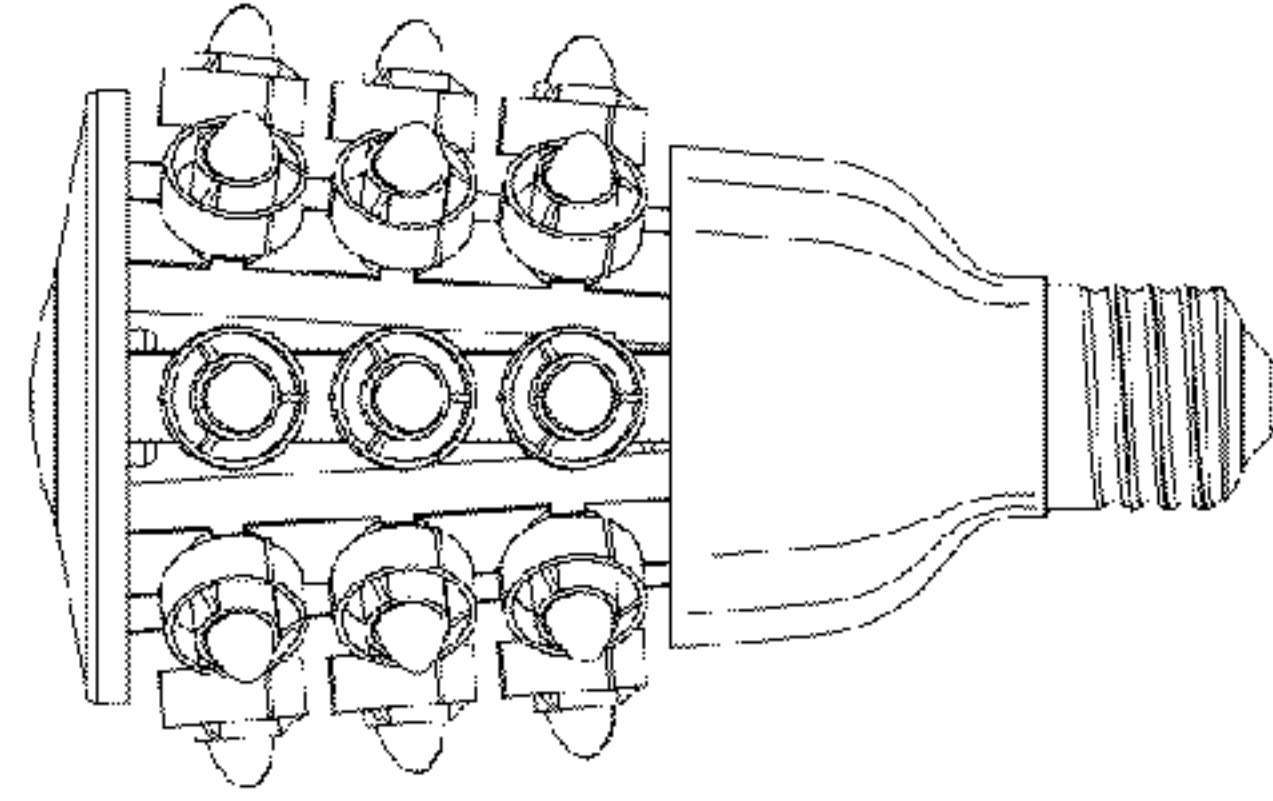


Fig. 5

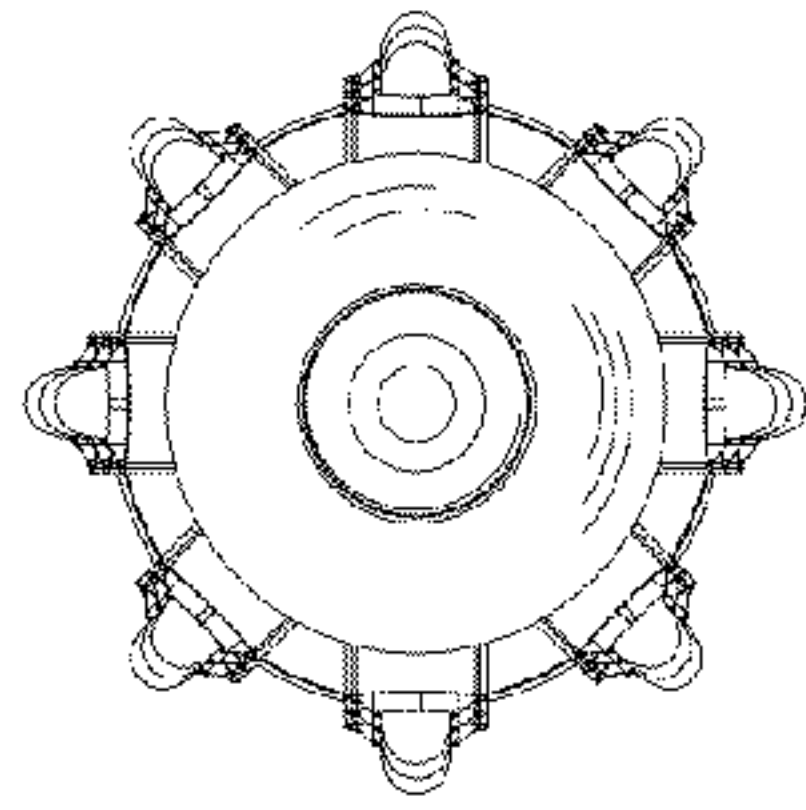


Fig. 7

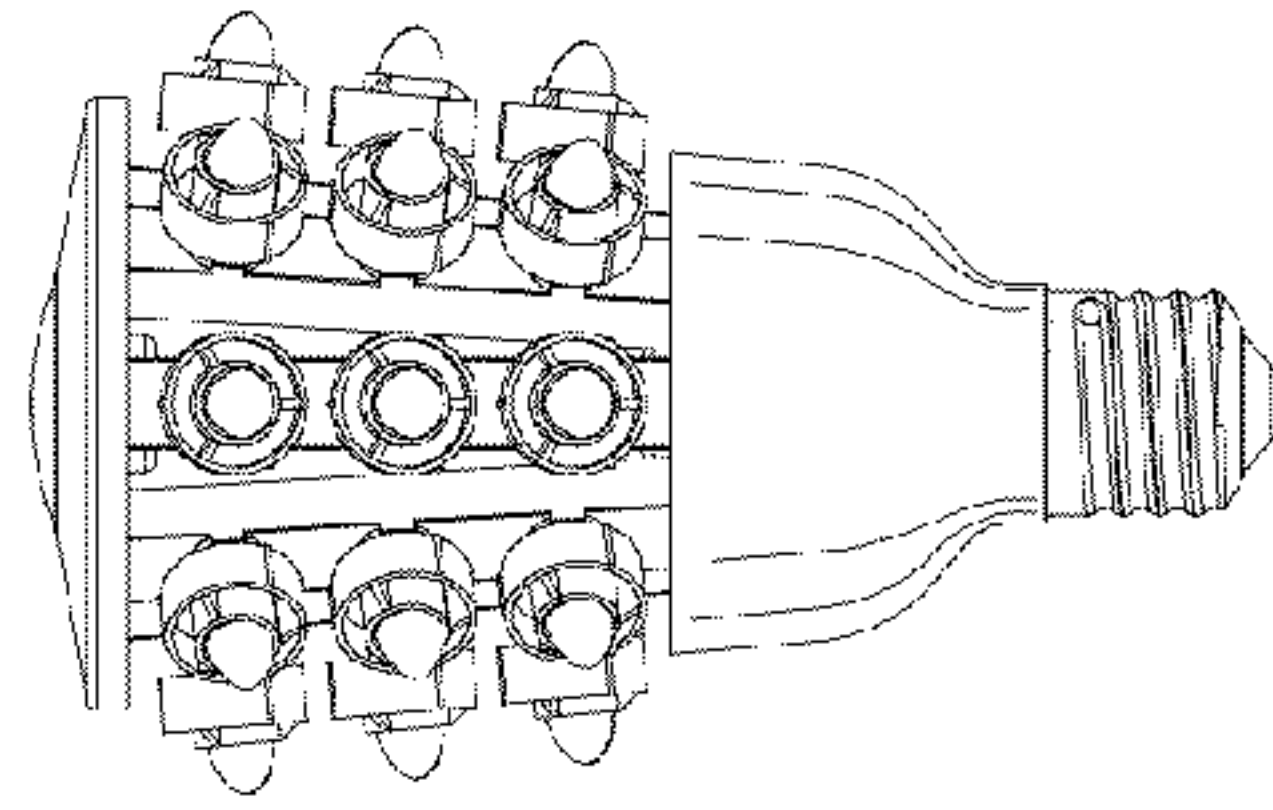


Fig. 2

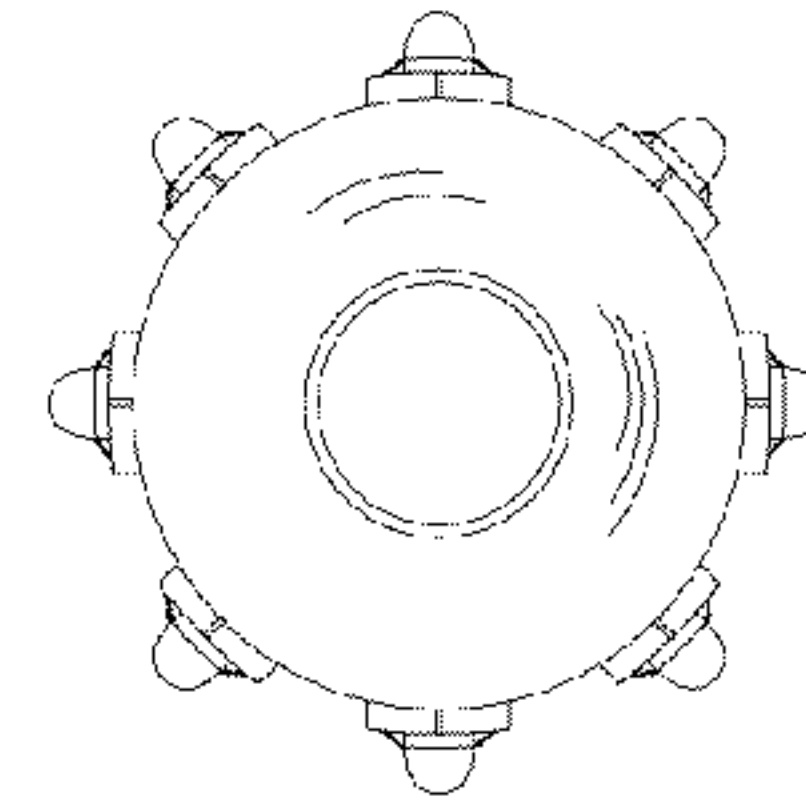


Fig. 6

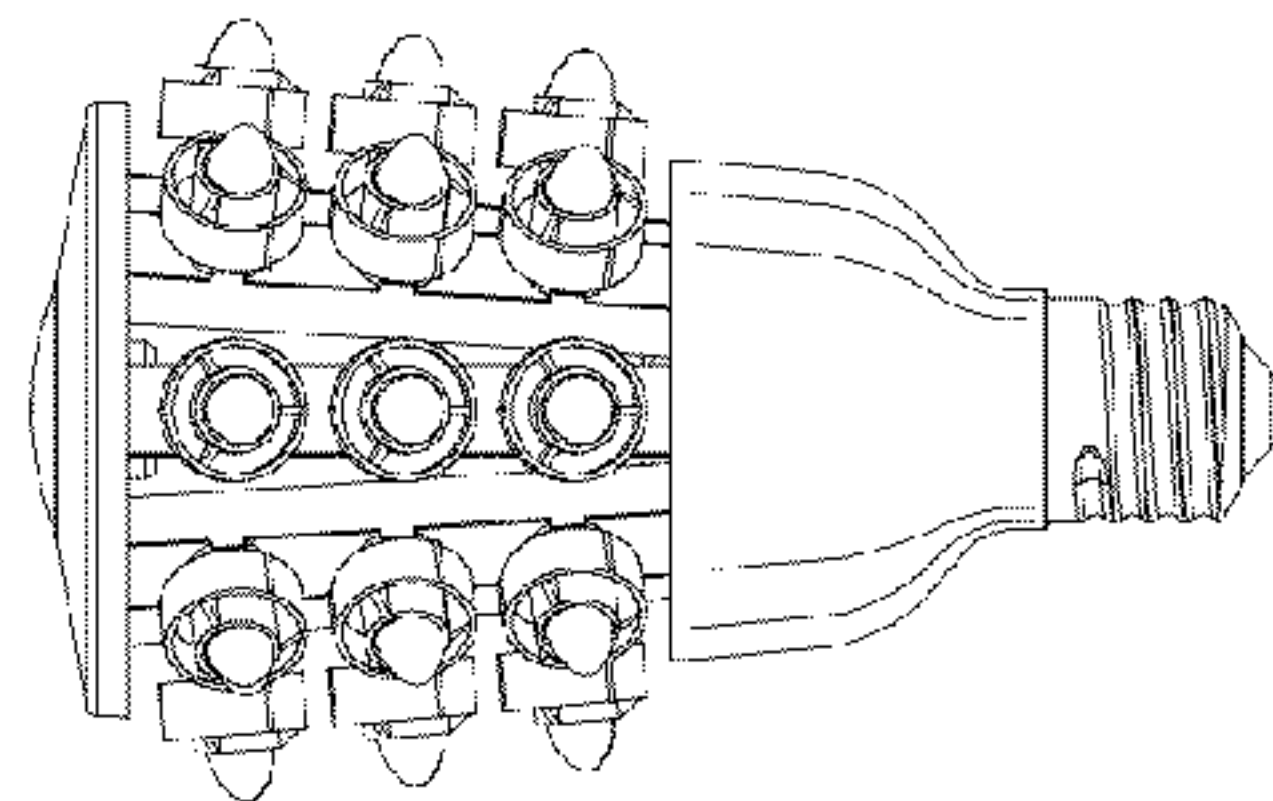


Fig. 4