



US00D721822S

(12) **United States Design Patent**
Oonuma et al.

(10) **Patent No.:** **US D721,822 S**
(45) **Date of Patent:** **** Jan. 27, 2015**

(54) **PORTION OF A BIOCHEMICAL ANALYZER**

(71) Applicant: **Hitachi High-Technologies Corporation**, Tokyo (JP)

(72) Inventors: **Mitsuru Oonuma**, Tokyo (JP); **Yoko Sato**, Fuchu (JP); **Akihito Wakui**, Hitachinaka (JP); **Hajime Yamazaki**, Hitachinaka (JP)

(73) Assignee: **Hitachi High-Technologies Corporation**, Tokyo (JP)

(**) Term: **14 Years**

(21) Appl. No.: **29/456,764**

(22) Filed: **Jun. 4, 2013**

(30) **Foreign Application Priority Data**

Dec. 6, 2012 (JP) 2012-029874

(51) **LOC (10) Cl.** **24-01**

(52) **U.S. Cl.**
USPC **D24/232**; D10/81; D24/186

(58) **Field of Classification Search**
USPC D24/216–217, 219, 223–224, 231–233, D24/107, 111, 127, 169, 186; D10/46, 81; 422/62–65, 67, 70, 81, 500, 506, 561; 436/43, 45, 47; 435/287.1, 287.3
See application file for complete search history.

(56) **References Cited**

U.S. PATENT DOCUMENTS

D339,639	S	*	9/1993	Ohnuma et al.	D24/232
6,841,126	B2	*	1/2005	Oonuma et al.	422/561
D560,131	S	*	1/2008	Hu	D24/186
D645,367	S	*	9/2011	Hayashi et al.	D10/81
D670,400	S	*	11/2012	O'Sullivan et al.	D24/216
D681,226	S	*	4/2013	Oonuma et al.	D24/216
D681,227	S	*	4/2013	Oonuma et al.	D24/216

* cited by examiner

Primary Examiner — Wan Laymon

(74) *Attorney, Agent, or Firm* — Antonelli, Terry, Stout & Kraus, LLP.

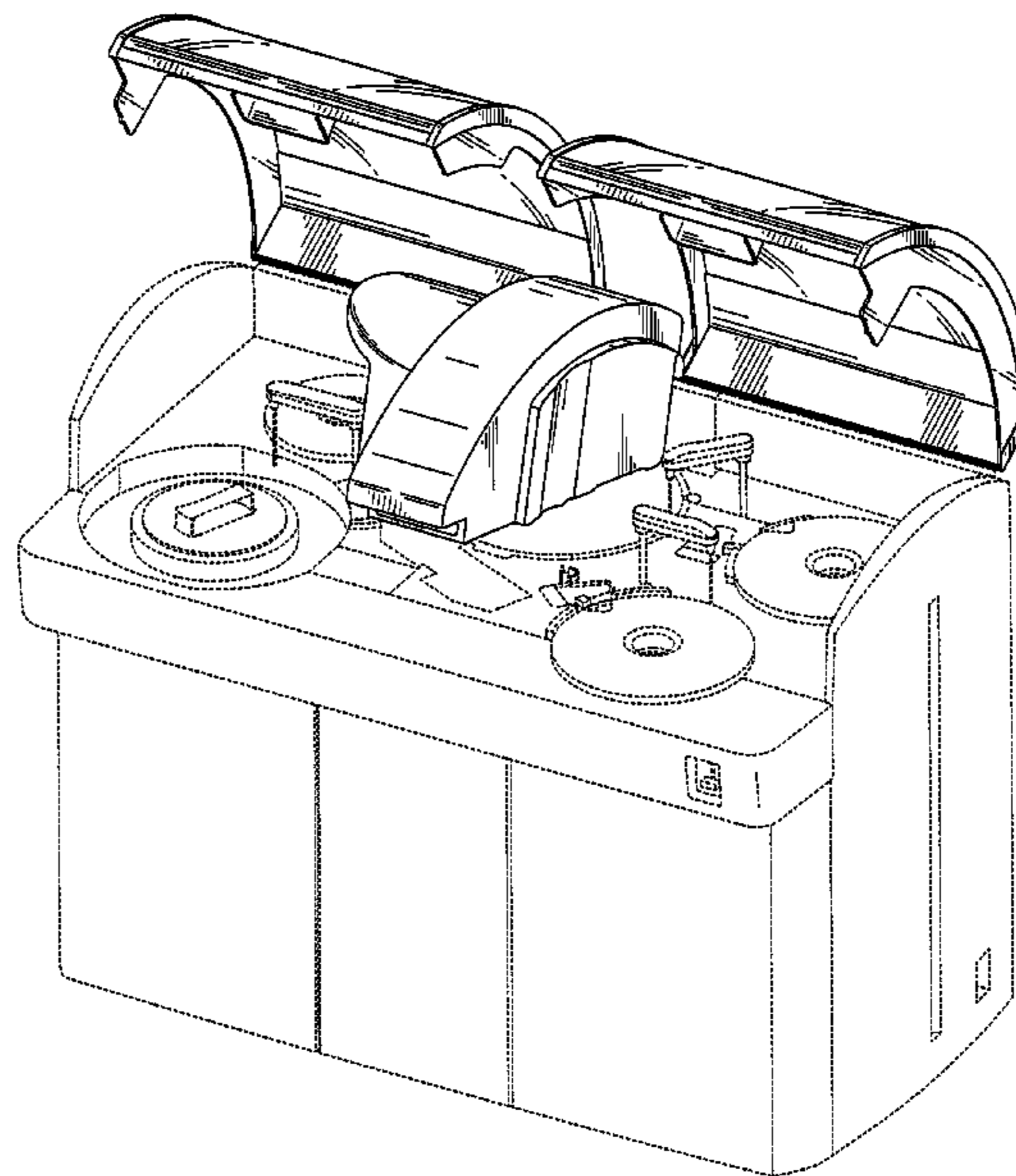
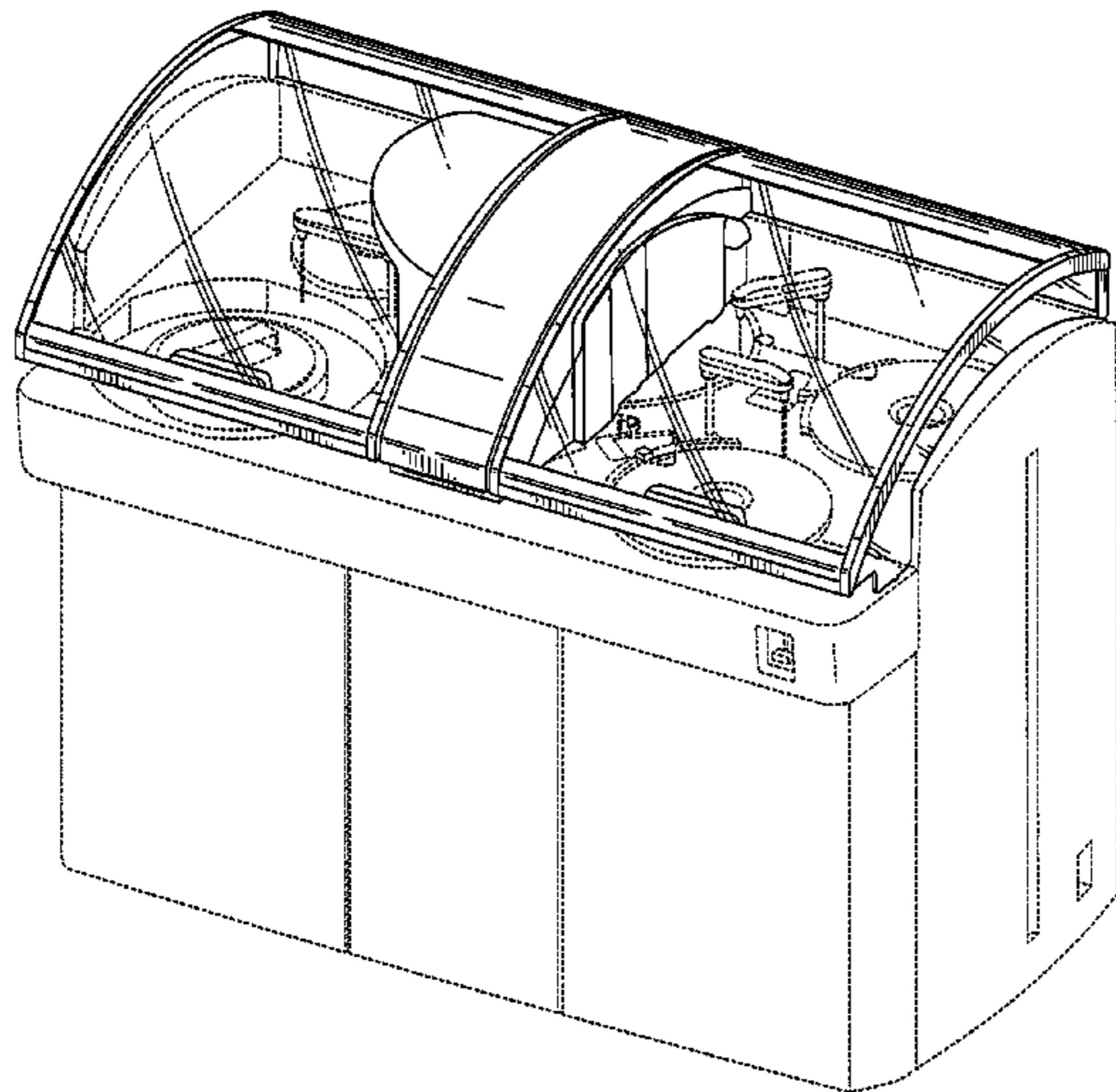
(57) **CLAIM**

We claim the ornamental design for a portion of a biochemical analyzer, as shown and described.

DESCRIPTION

FIG. 1 is a front, top and right side perspective view of a portion of a biochemical analyzer showing our new design; FIG. 2 is a front elevational view thereof; FIG. 3 is a rear elevational view thereof; FIG. 4 is a left side elevational view thereof; FIG. 5 is a right side elevational view thereof; FIG. 6 is a top plan view thereof; FIG. 7 is a bottom plan view thereof; and, FIG. 8 is reference front, top and right side perspective view thereof shown in an opened position. The broken lines shown are for illustrative purpose only and form no part of the claimed design.

1 Claim, 6 Drawing Sheets



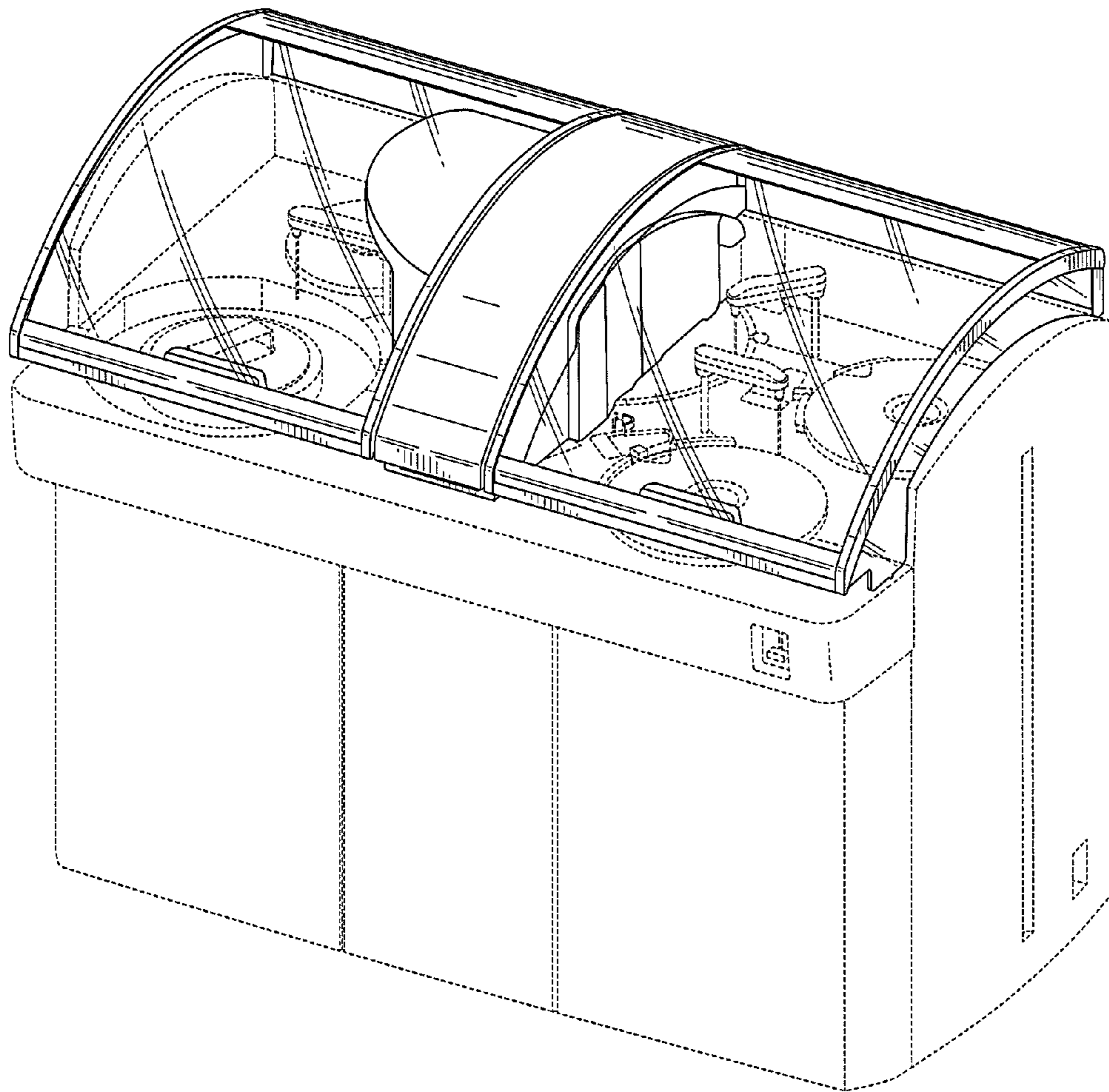


FIG. 1

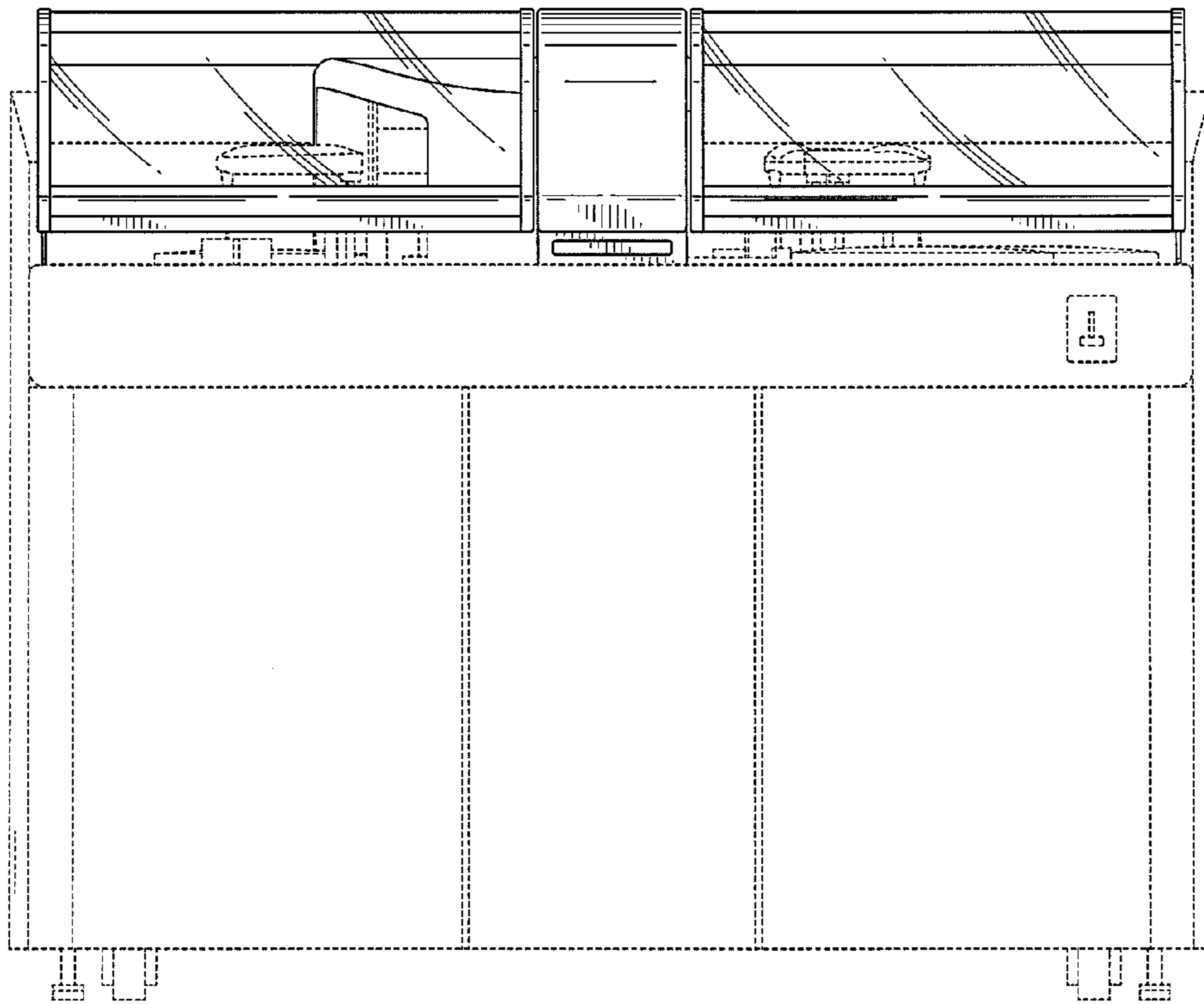


FIG. 2

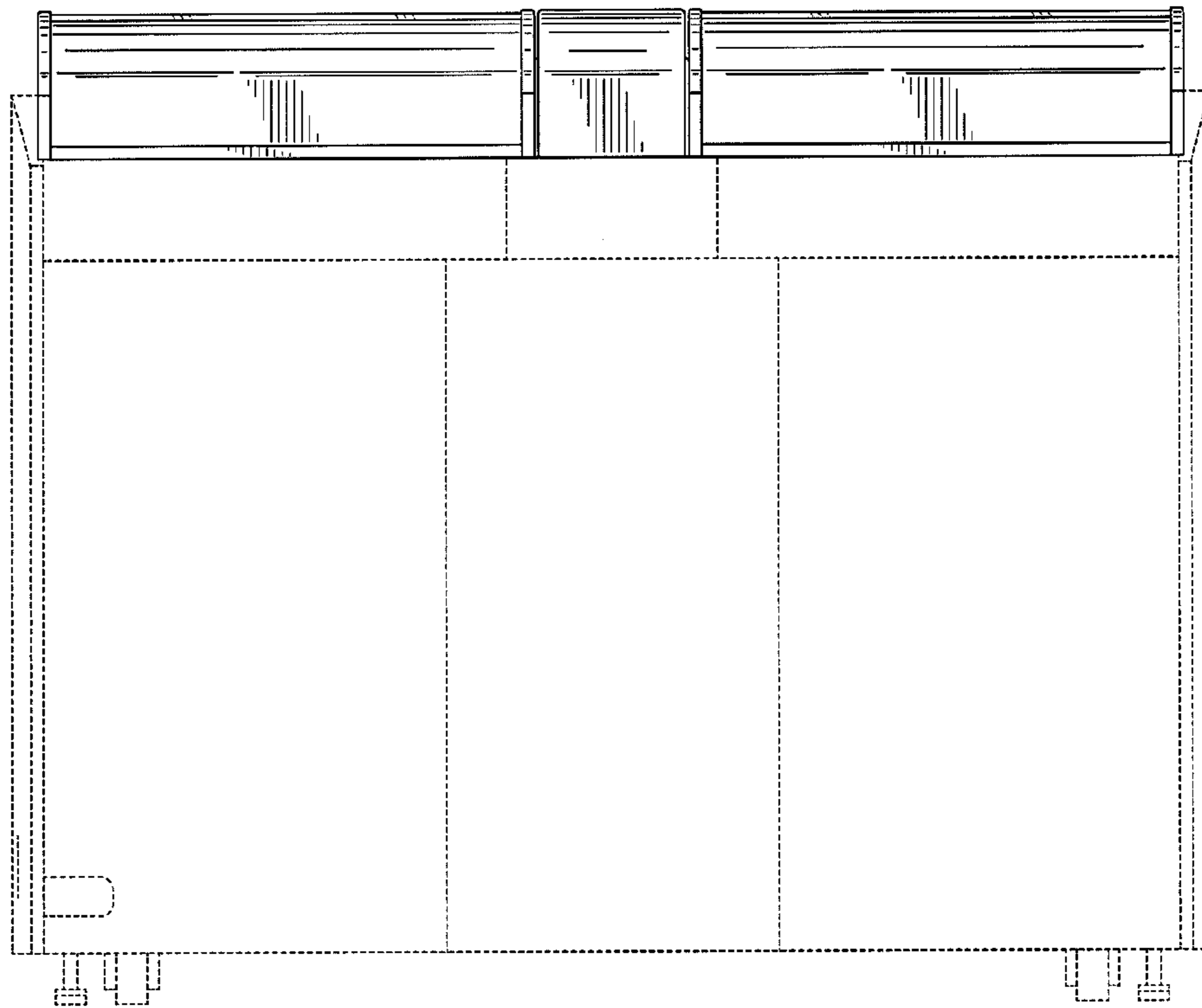


FIG. 3

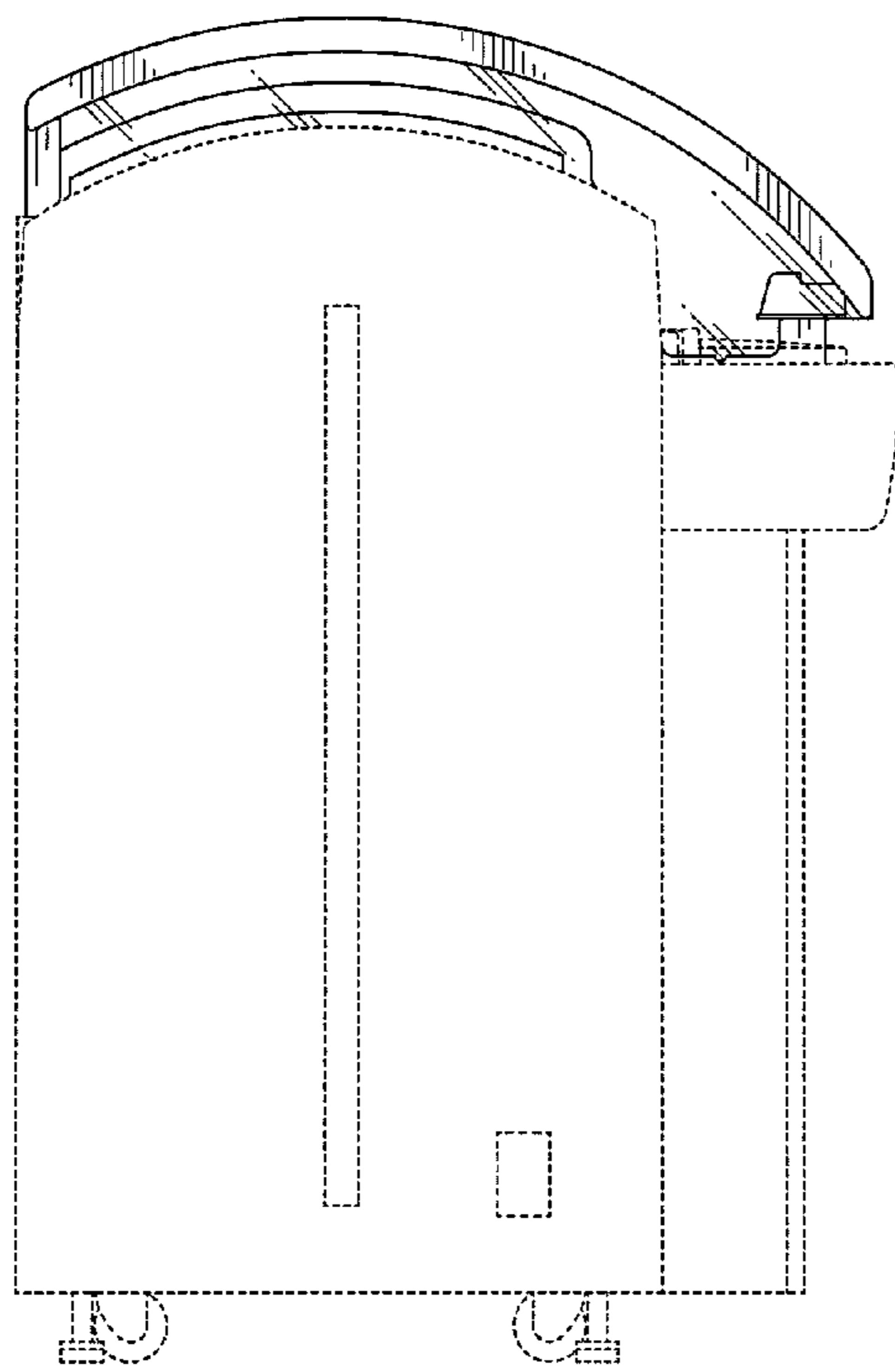


FIG. 4

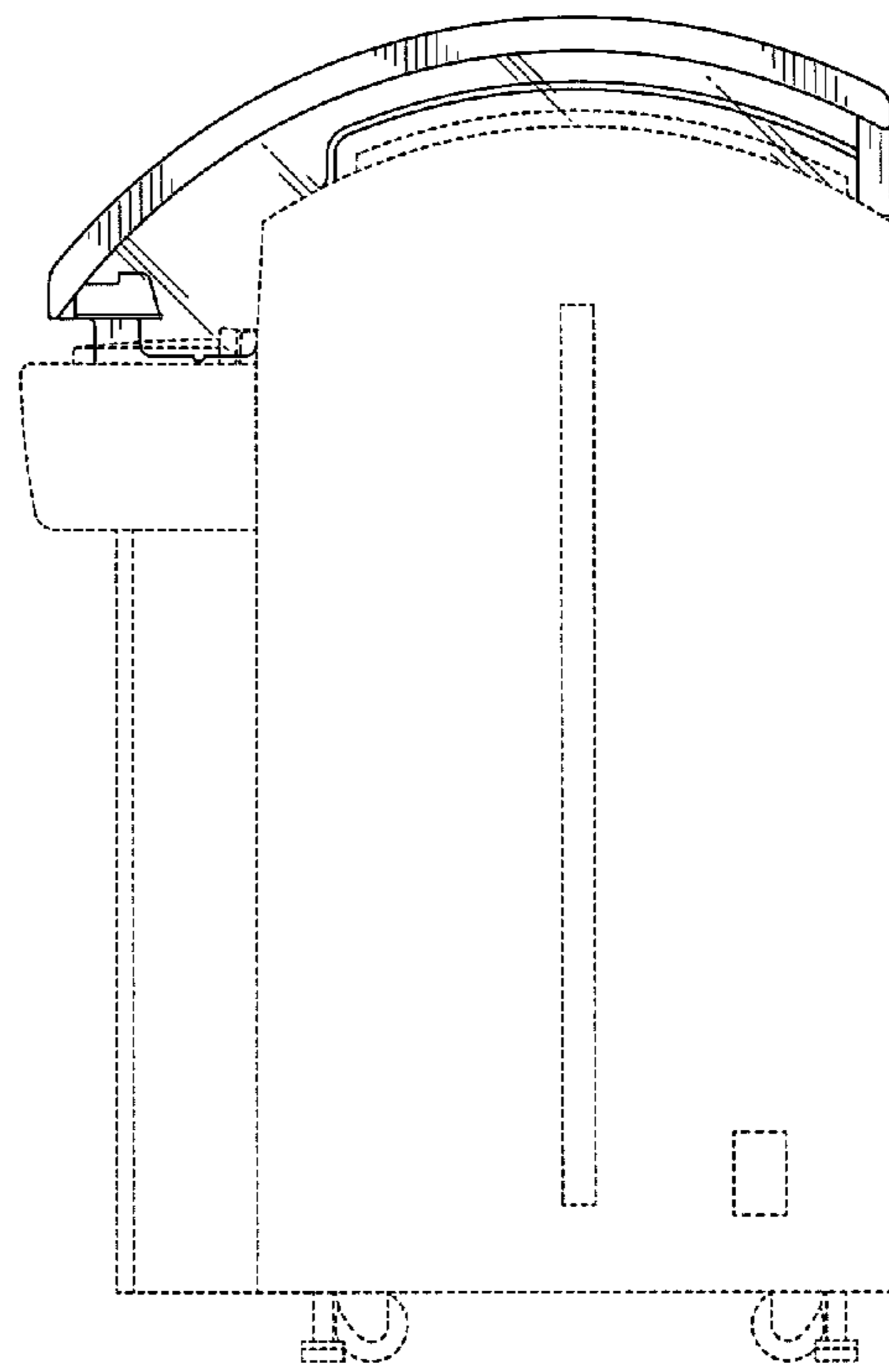


FIG. 5

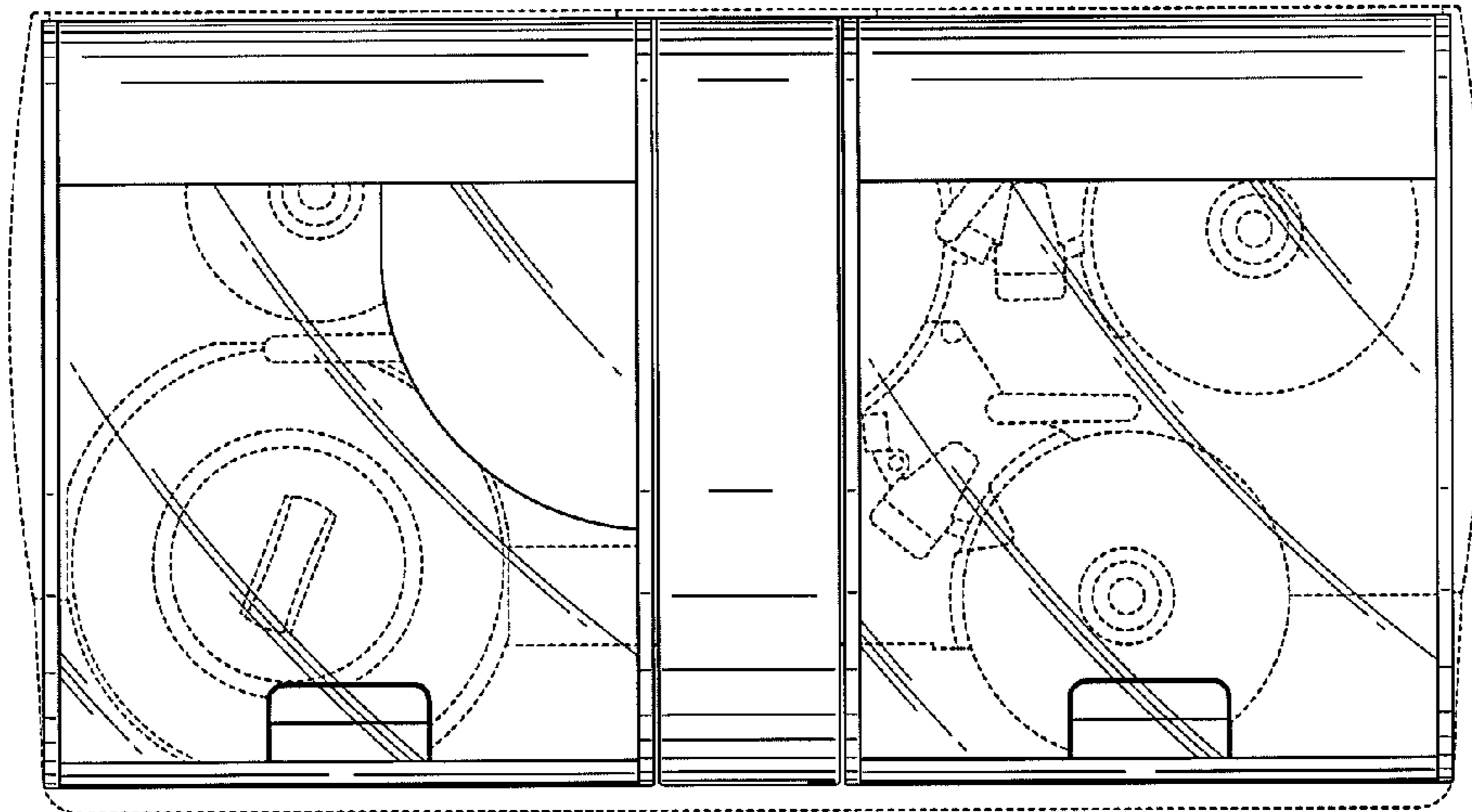


FIG. 6

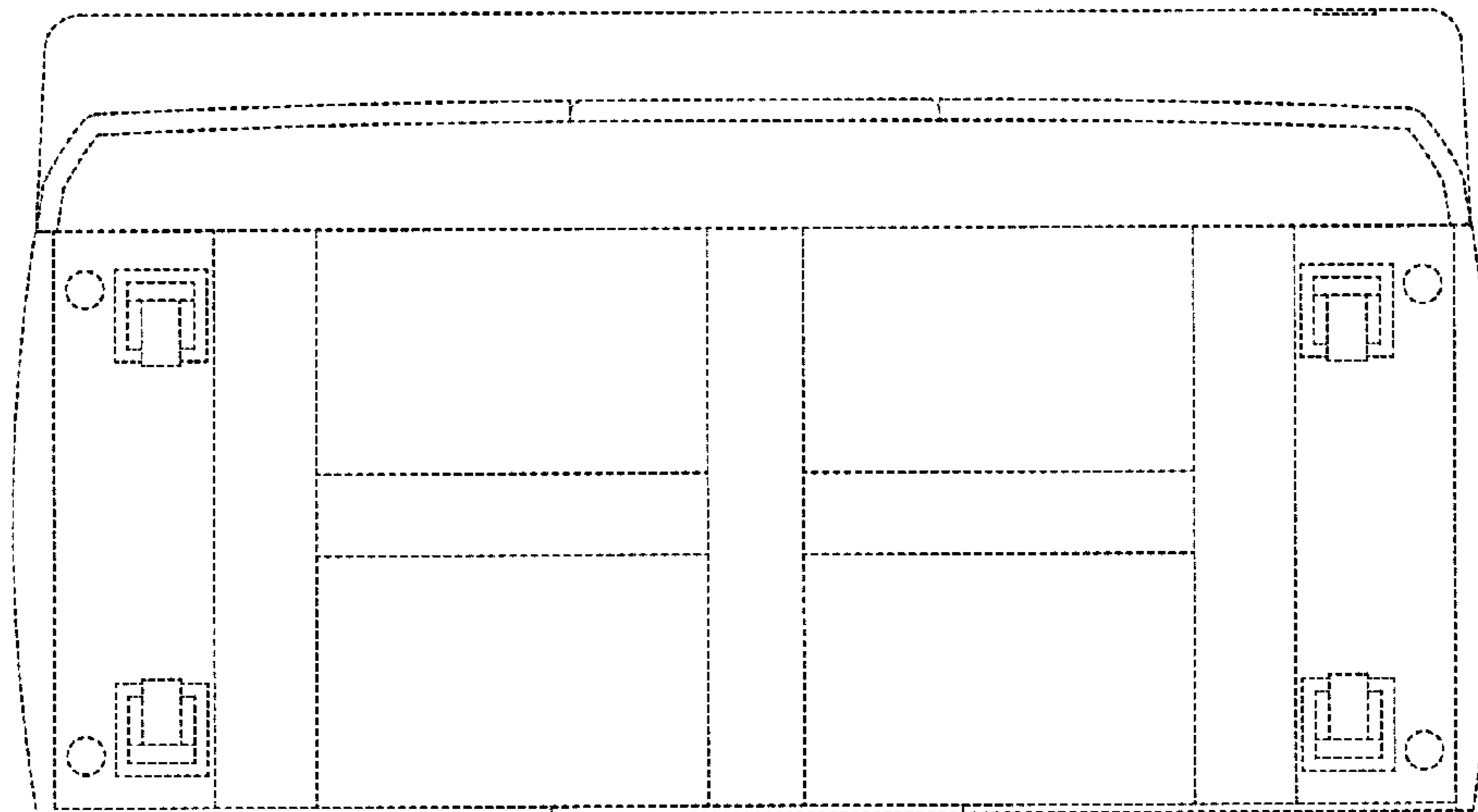


FIG. 7

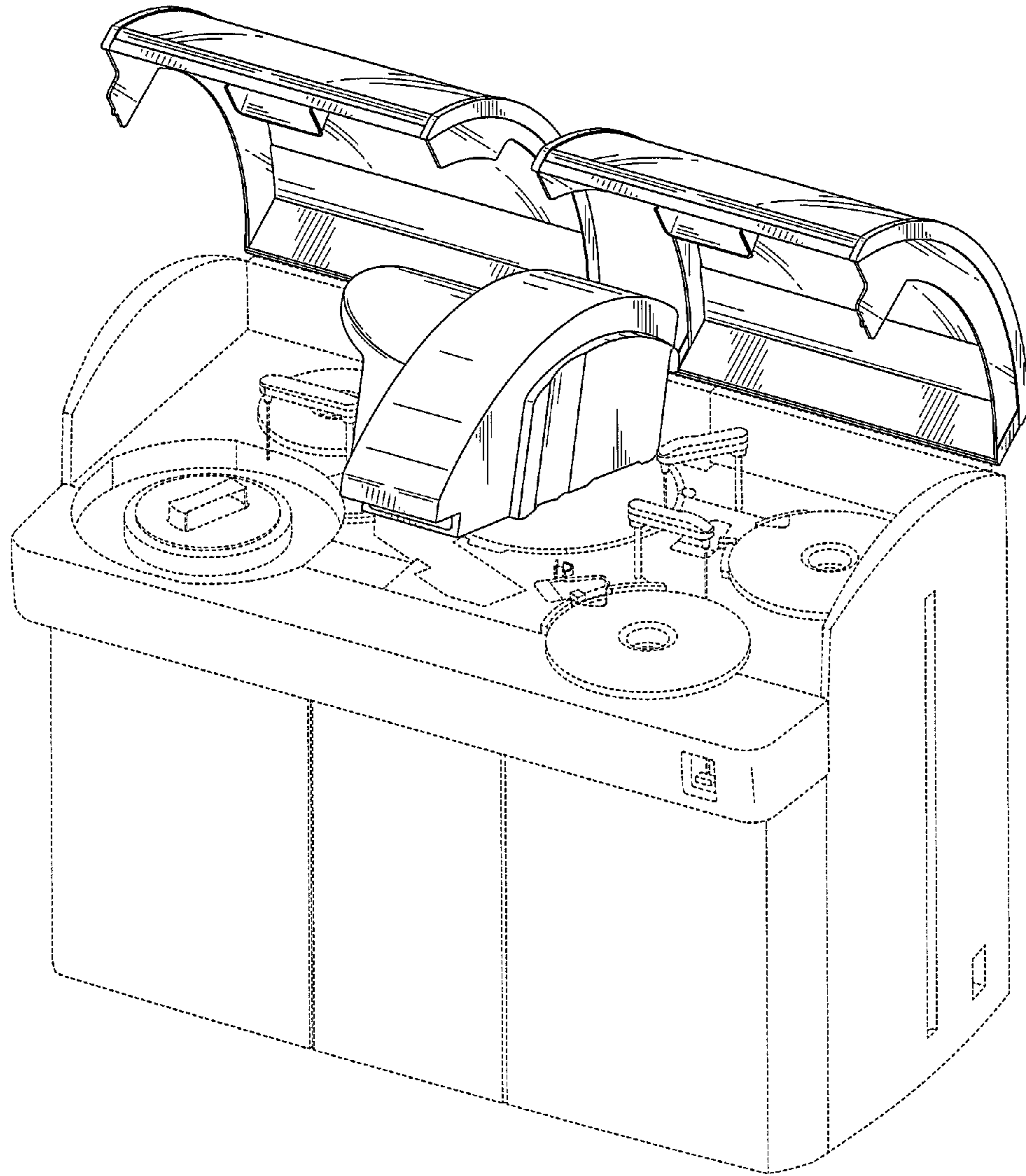


FIG. 8