



US00D721821S

(12) **United States Design Patent**
Swoish

(10) **Patent No.:** **US D721,821 S**
(45) **Date of Patent:** **** Jan. 27, 2015**

- (54) **NEEDLE COUNTER**
- (71) Applicant: **Aspen Surgical Products, Inc.**,
Caledonia, MI (US)
- (72) Inventor: **Murray Swoish**, Caledonia, MI (US)
- (73) Assignee: **Aspen Surgical Products, Inc.**,
Caledonia, MI (US)
- (**) Term: **14 Years**
- (21) Appl. No.: **29/449,240**
- (22) Filed: **Mar. 14, 2013**
- (51) **LOC (10) Cl.** **24-00**
- (52) **U.S. Cl.**
USPC **D24/231**
- (58) **Field of Classification Search**
USPC D24/231, 128, 229, 227, 130, 131;
D9/420, 421; D3/203.3, 294, 203.1,
D3/203.6, 203.7; 206/363, 366, 369, 370,
206/380, 382, 383, 388; 604/410-414
See application file for complete search history.

5,316,142	A	5/1994	Jain	
5,449,068	A	9/1995	Gharibian	
D369,295	S *	4/1996	Kobari et al.	D9/423
D376,647	S	12/1996	Marsh et al.	
5,938,063	A	8/1999	Hoftman	
D441,192	S *	5/2001	Park	D3/294
6,651,813	B2	11/2003	Vallans et al.	
7,036,661	B2	5/2006	Anthony et al.	
7,070,051	B2	7/2006	Kanner et al.	
D568,492	S *	5/2008	Koseki	D24/231
D568,493	S *	5/2008	Koseki	D24/231
7,398,880	B2	7/2008	Henry	
7,497,330	B2	3/2009	Anthony et al.	
D621,502	S *	8/2010	Downs	D24/128
7,837,034	B2	11/2010	Clegg et al.	
D630,317	S *	1/2011	Wung	D24/128
7,913,841	B2	3/2011	Clegg et al.	
7,975,846	B2	7/2011	Clegg et al.	
8,118,163	B2	2/2012	Alcouloumre et al.	
D672,643	S *	12/2012	Giraud	D9/421
D676,146	S *	2/2013	Austria	D24/227
D697,401	S *	1/2014	Kidd et al.	D9/421
2003/0155259	A1	8/2003	Koseki	
2004/0111853	A1	6/2004	Hoftman	
2004/0129591	A1	7/2004	Koseki	
2005/0269228	A1	12/2005	Kanner et al.	
2007/0039844	A1	2/2007	Zyzelewski et al.	
2011/0042253	A1	2/2011	Levine	
2012/0210678	A1	8/2012	Alcouloumre et al.	

* cited by examiner

(56) **References Cited**

U.S. PATENT DOCUMENTS

3,077,282	A	2/1963	Eggers	
3,380,573	A *	4/1968	Gulotta	206/370
3,483,494	A	12/1969	Cromie	
3,546,643	A	12/1970	Virostek	
3,727,658	A	4/1973	Eldridge, Jr.	
4,008,802	A	2/1977	Freitag	
4,105,115	A	8/1978	Horvath et al.	
4,193,496	A	3/1980	Barratt	
4,243,140	A	1/1981	Thrun	
D275,833	S *	10/1984	Malpass	D3/203.3
4,591,048	A	5/1986	Eldridge, Jr.	
4,596,329	A	6/1986	Eldridge, Jr.	
4,736,844	A	4/1988	Scott et al.	
4,886,165	A	12/1989	Annett	
5,024,326	A	6/1991	Sandel et al.	
D327,743	S *	7/1992	Frenkel et al.	D24/229
5,181,609	A	1/1993	Spielmann et al.	
5,193,678	A *	3/1993	Janocik et al.	206/363
5,281,391	A	1/1994	Hanson et al.	

Primary Examiner — Ian Simmons

Assistant Examiner — Rhea Shields

(74) *Attorney, Agent, or Firm* — Price Heneveld LLP

(57) **CLAIM**

I claim the ornamental design for a needle counter, as shown and described.

DESCRIPTION

FIG. 1 is a top perspective view of one embodiment of a needle counter in a closed position;
 FIG. 2 is a bottom perspective view of the needle counter of FIG. 1;
 FIG. 3 is a top plan view of the needle counter of FIG. 1;
 FIG. 4 is a bottom plan view of the needle counter of FIG. 1;
 FIG. 5 is a first side elevational view of the needle counter of FIG. 1;

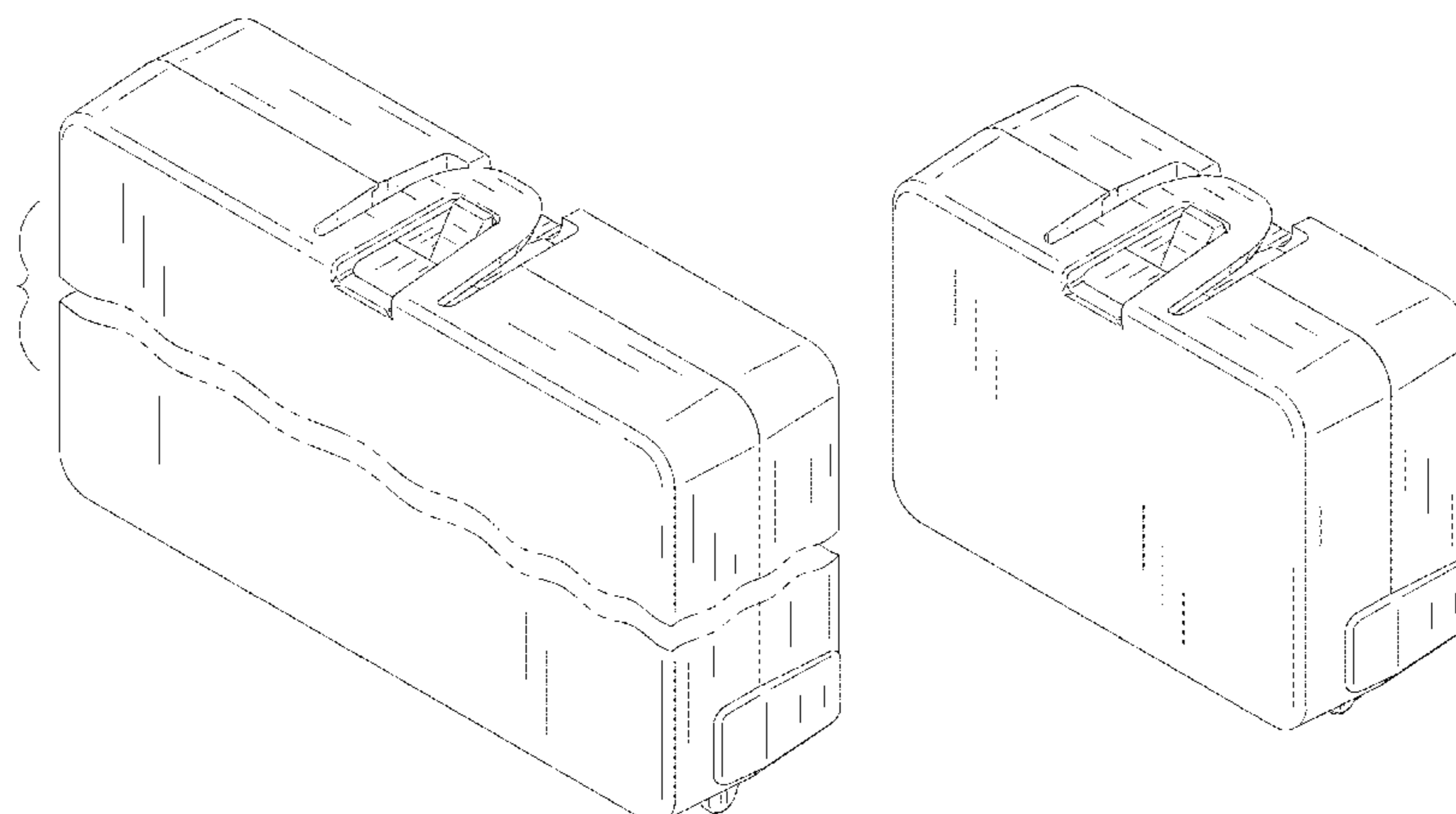


FIG. 6 is a second side elevational view of the needle counter of FIG. 1;
FIG. 7 is a front elevational view of the needle counter of FIG. 1;
FIG. 8 is a rear elevational view of the needle counter of FIG. 1;
FIG. 9 is a top perspective view of the needle counter of FIG. 1 in an open position;
FIG. 10 is a top plan view of the needle counter of FIG. 9;
FIG. 11 is a bottom plan view of the needle counter of FIG. 9;
FIG. 12 is a first side elevational view of the needle counter of FIG. 9;
FIG. 13 is a second side elevational view of the needle counter of FIG. 9;
FIG. 14 is a rear elevational view of the needle counter of FIG. 9;
FIG. 15 is a front elevational view of the needle counter of FIG. 9;
FIG. 16 is a top perspective view of one embodiment of a needle counter in a closed position;
FIG. 17 is a bottom perspective view of the needle counter of FIG. 16;
FIG. 18 is a top plan view of the needle counter of FIG. 16;
FIG. 19 is a bottom plan view of the needle counter of FIG. 16;
FIG. 20 is a first side elevational view of the needle counter of FIG. 16;

FIG. 21 is a second side elevational view of the needle counter of FIG. 16;
FIG. 22 is a front elevational view of the needle counter of FIG. 16;
FIG. 23 is a rear elevational view of the needle counter of FIG. 16;
FIG. 24 is a top perspective view of needle counter of FIG. 16 in an open position;
FIG. 25 is a top plan view of the needle counter of FIG. 16;
FIG. 26 is a bottom plan view of the needle counter of FIG. 16;
FIG. 27 is a first side elevational view of the needle counter of FIG. 16;
FIG. 28 is a second side elevational view of the needle counter of FIG. 16;
FIG. 29 is a rear elevational view of the needle counter of FIG. 16; and,
FIG. 30 is a front elevational view of the needle counter of FIG. 16.
In FIGS. 1-6 & 9-13 the needle counter is shown with a symbolic break in its length. The appearance of any portion of the article between the break lines forms no part of the claimed design. In the drawings, the broken lines depict unclaimed subject matter only and form no part of the claimed design.

1 Claim, 21 Drawing Sheets

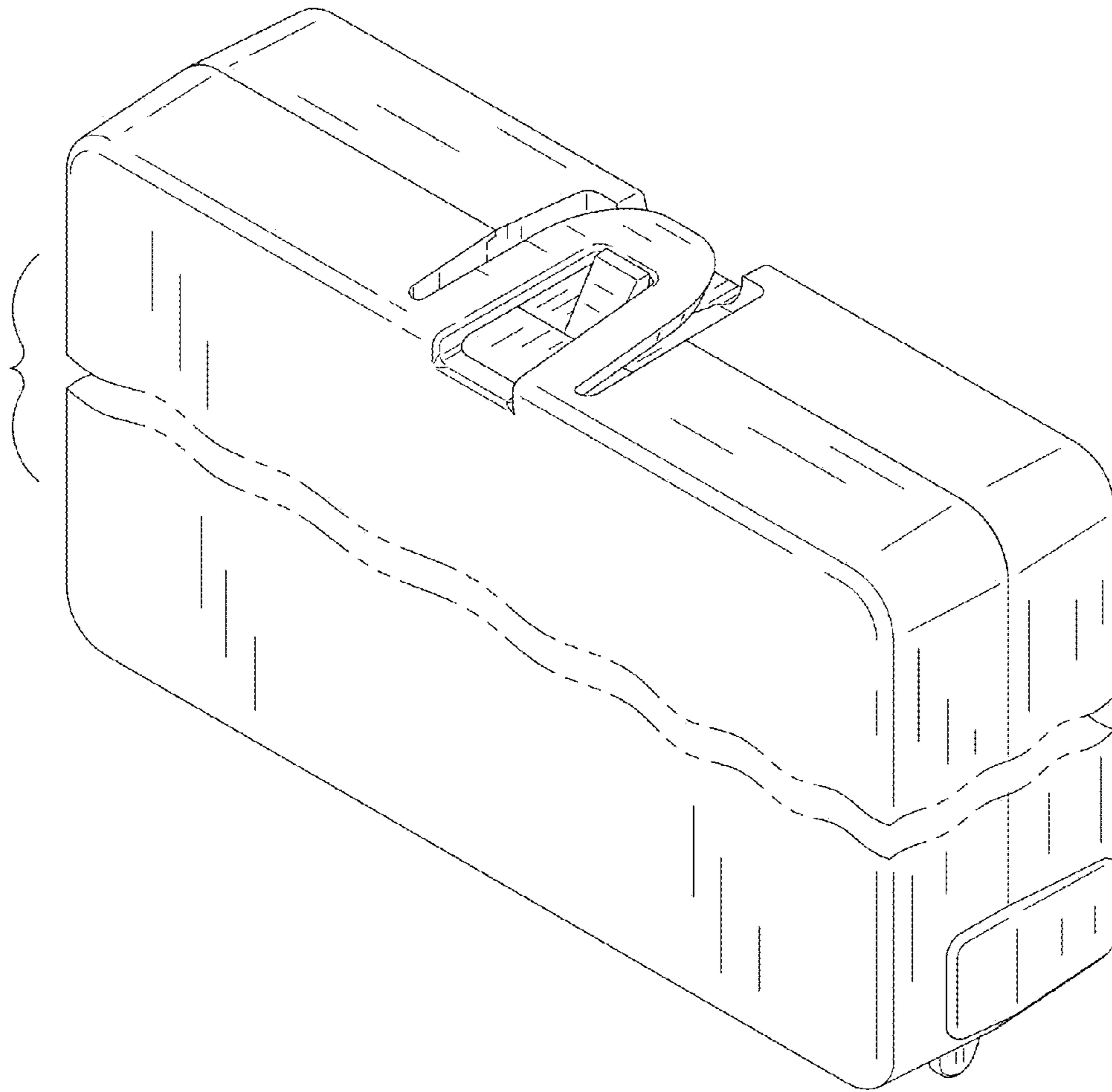


FIG. 1

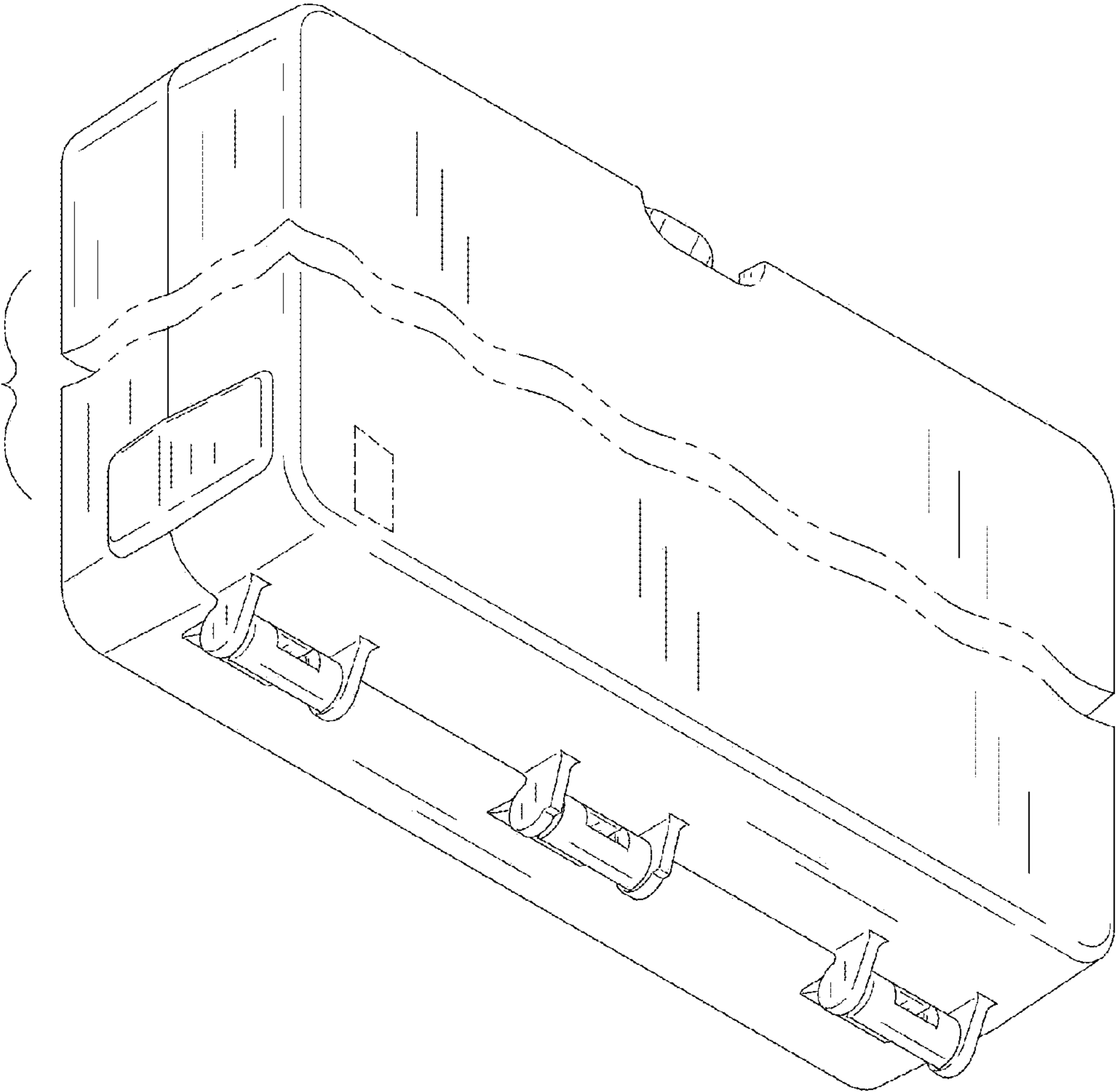


FIG. 2

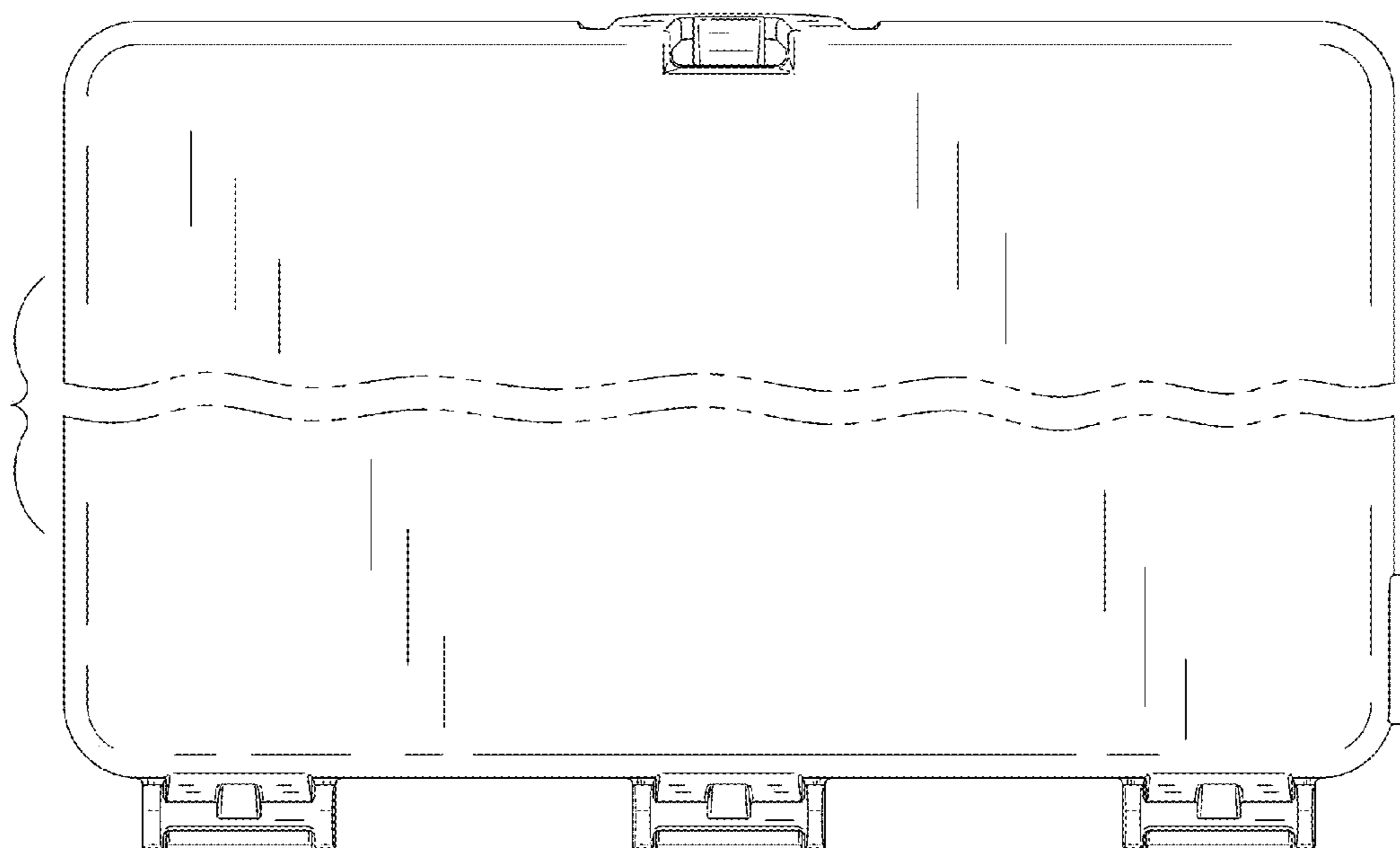


FIG. 3

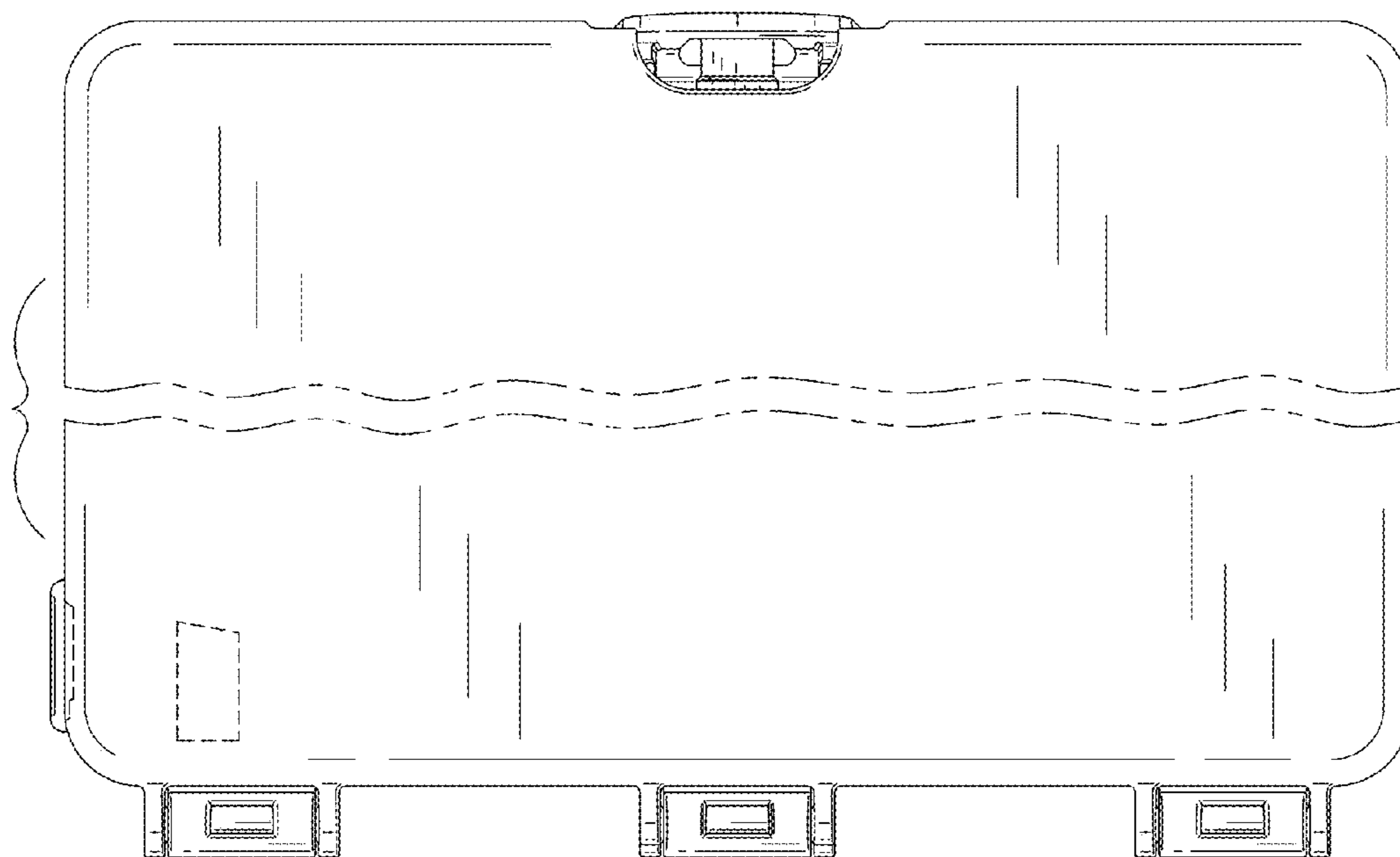


FIG. 4

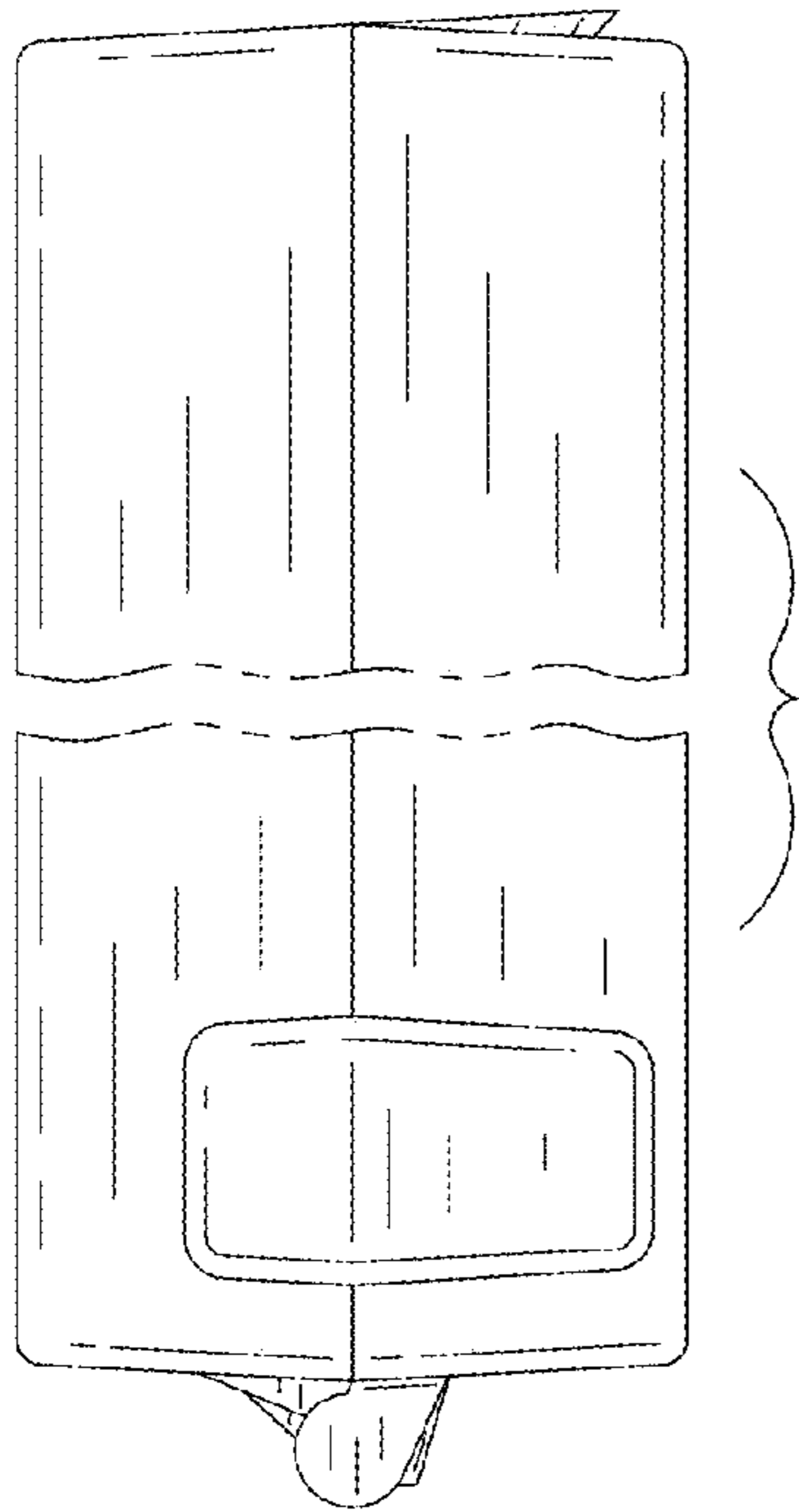


FIG. 5

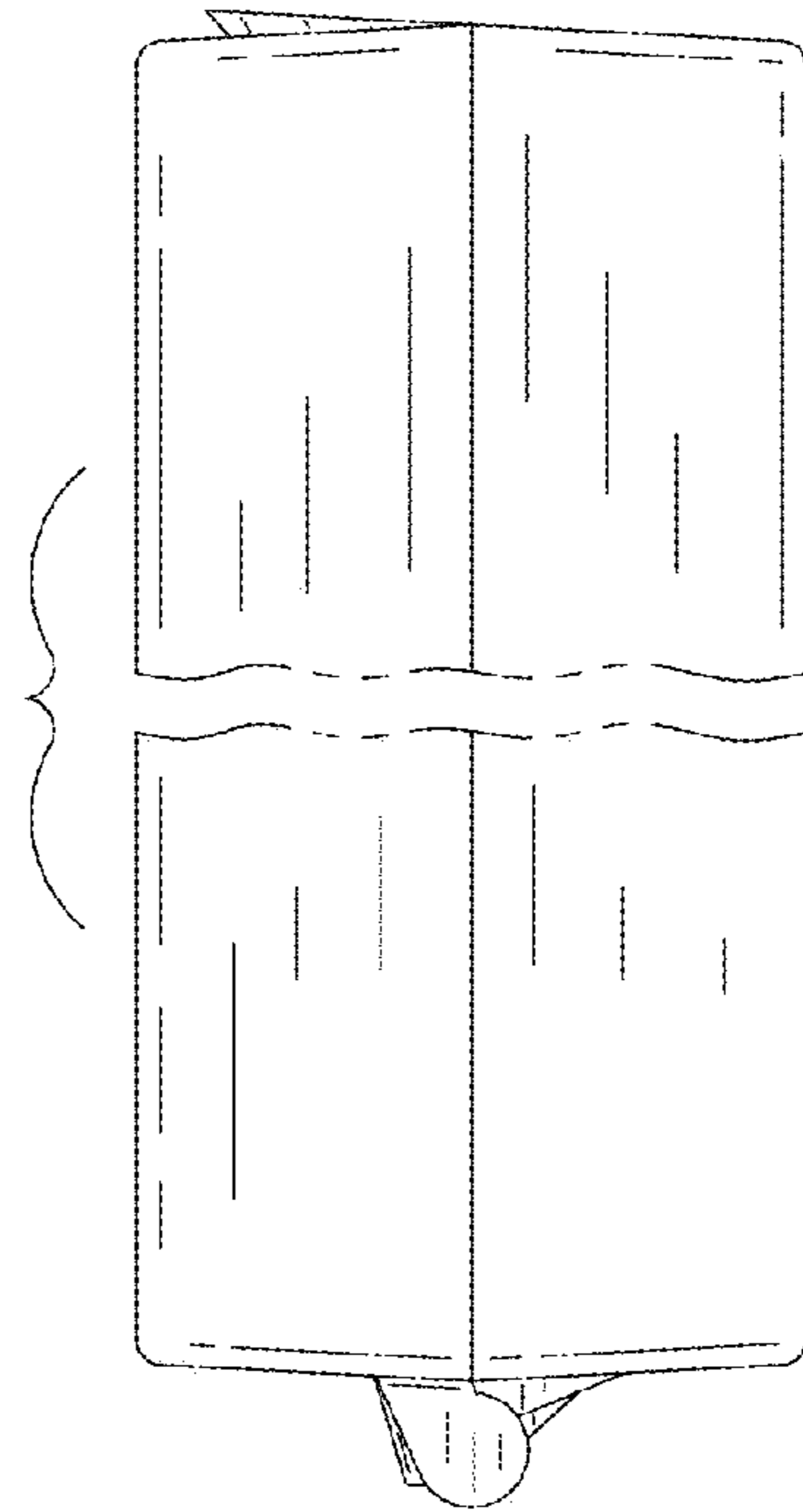


FIG. 6

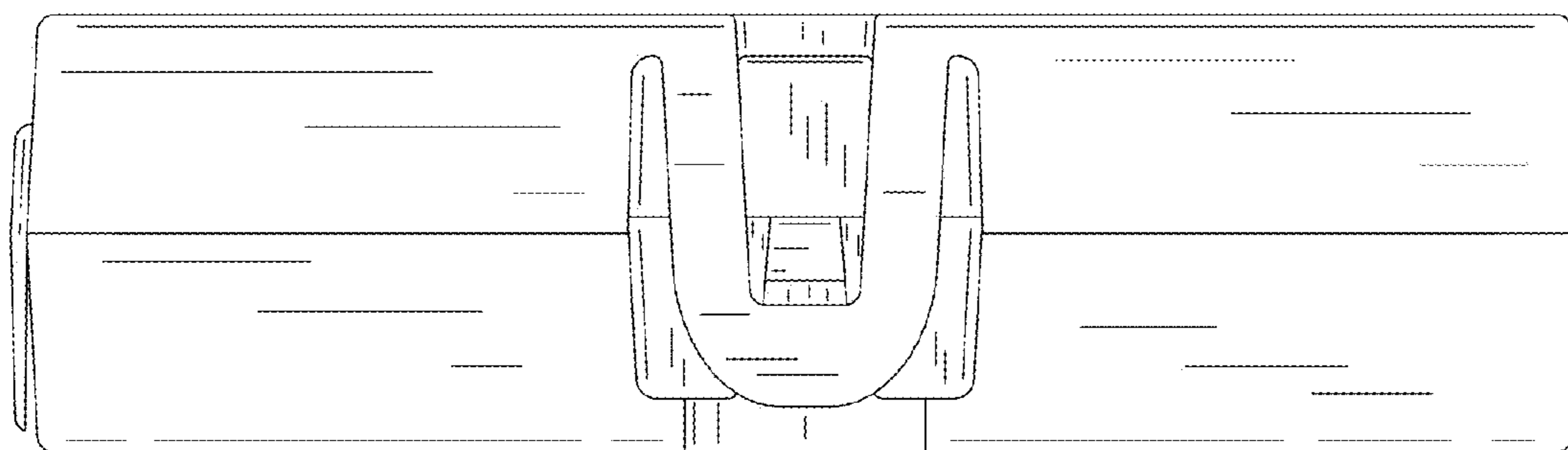


FIG. 7

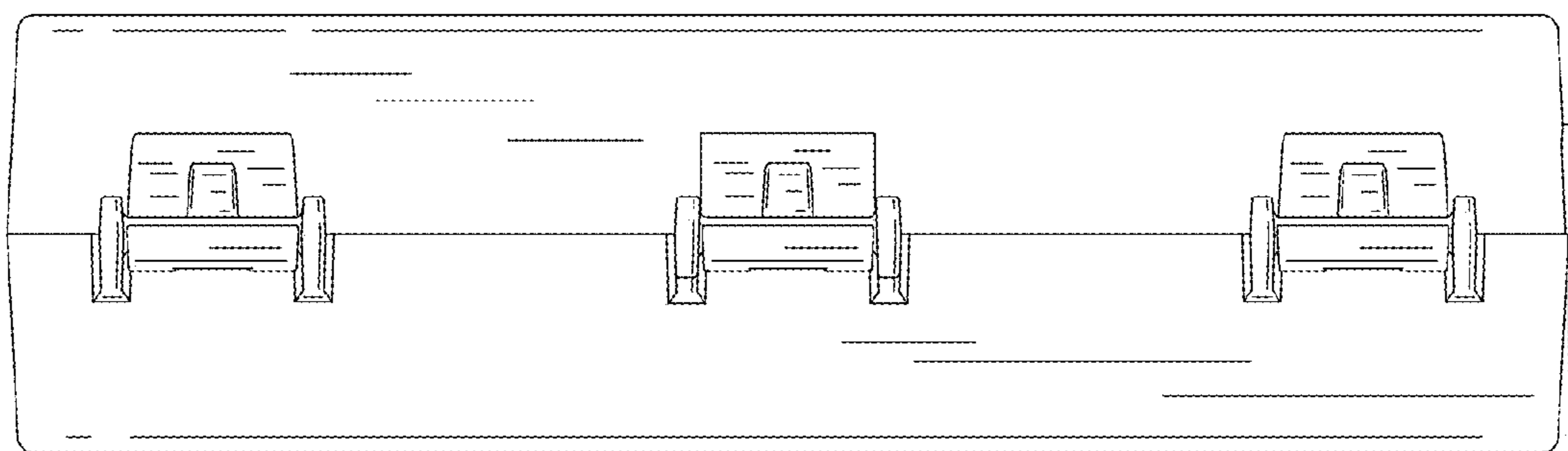


FIG. 8

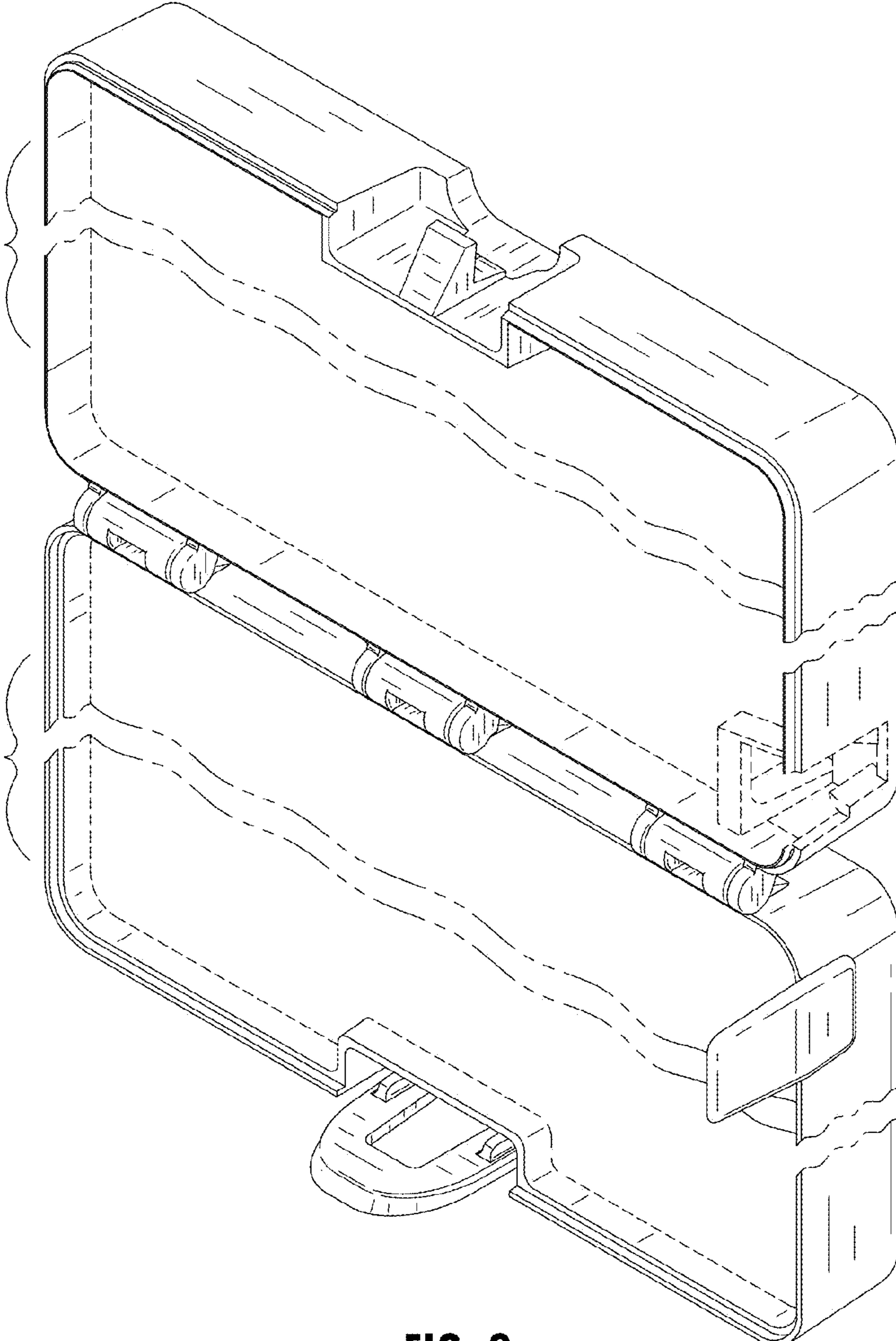


FIG. 9

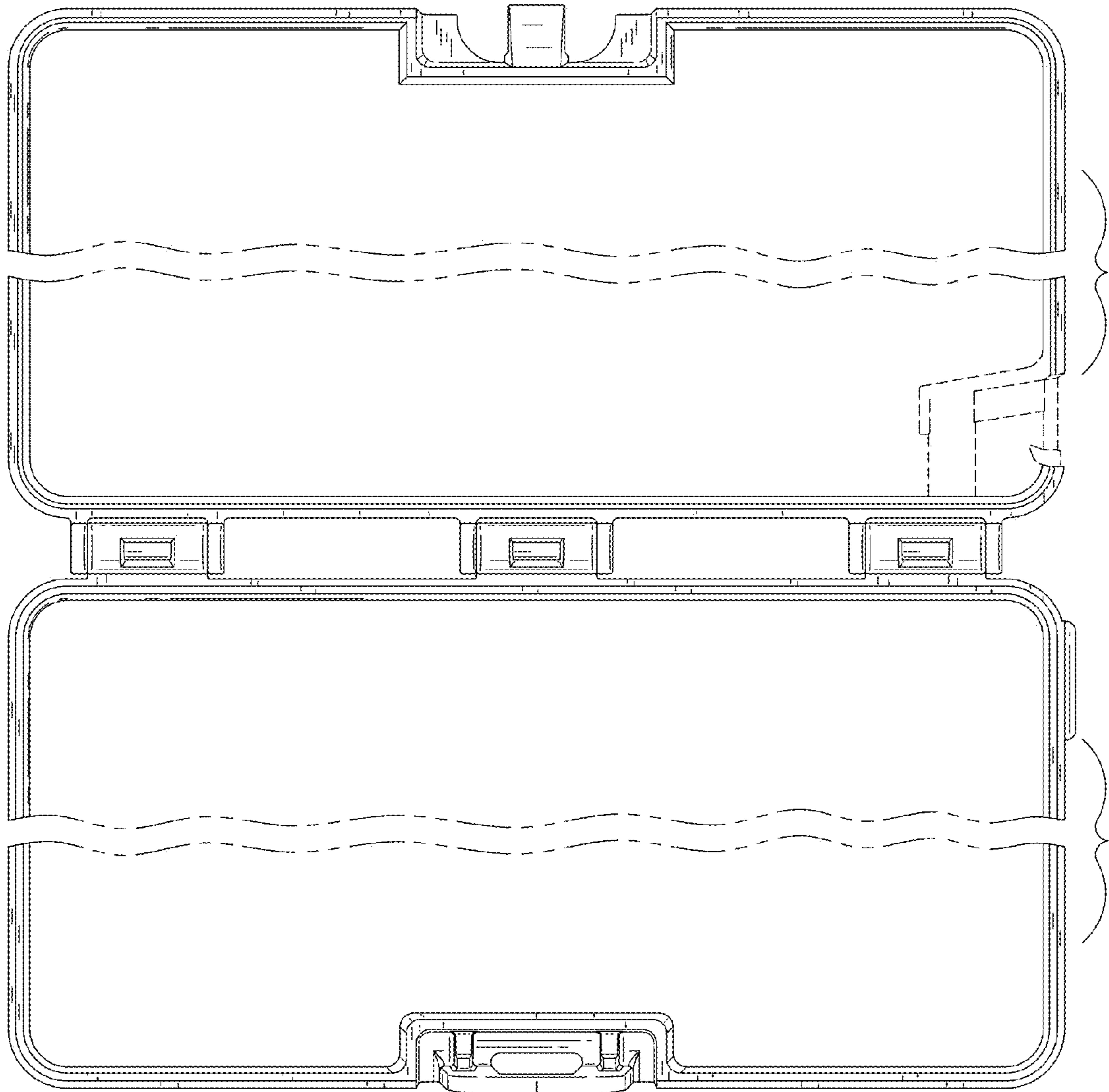


FIG. 10

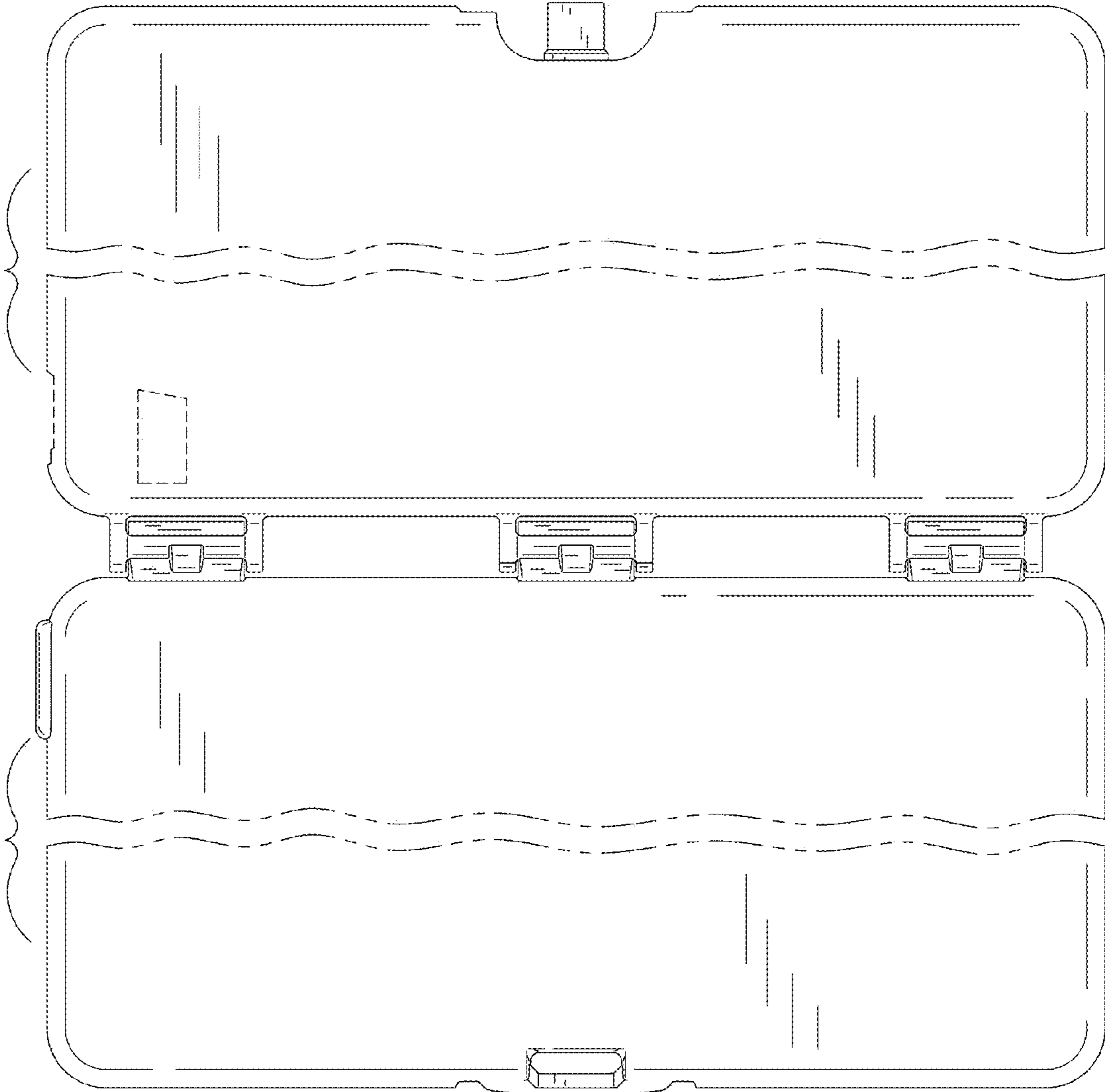


FIG. 11

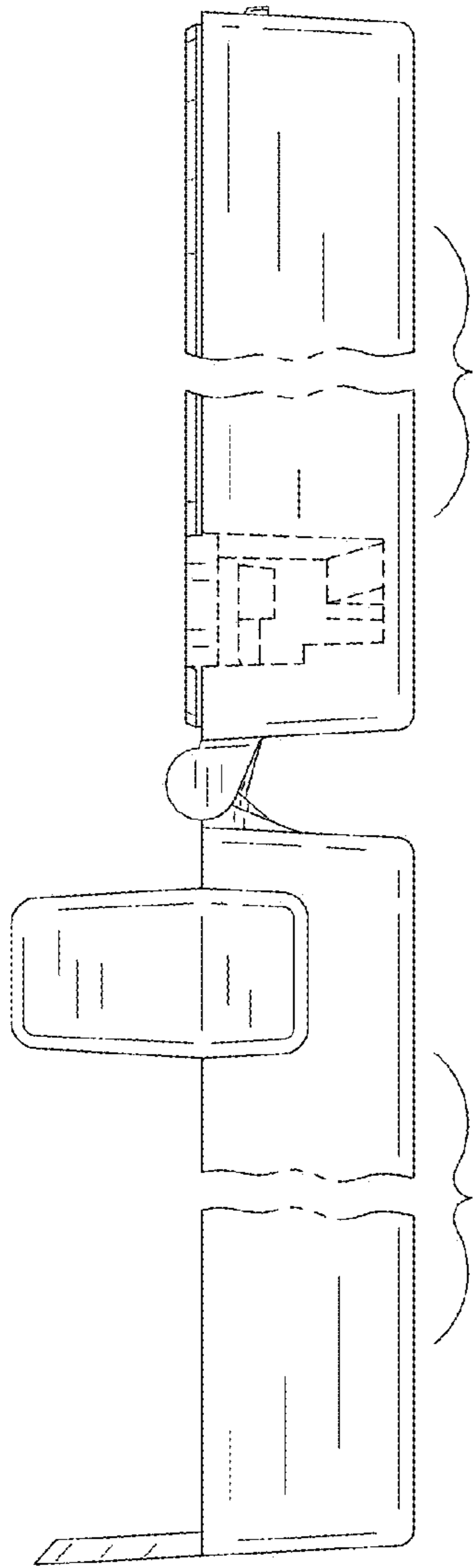


FIG. 12

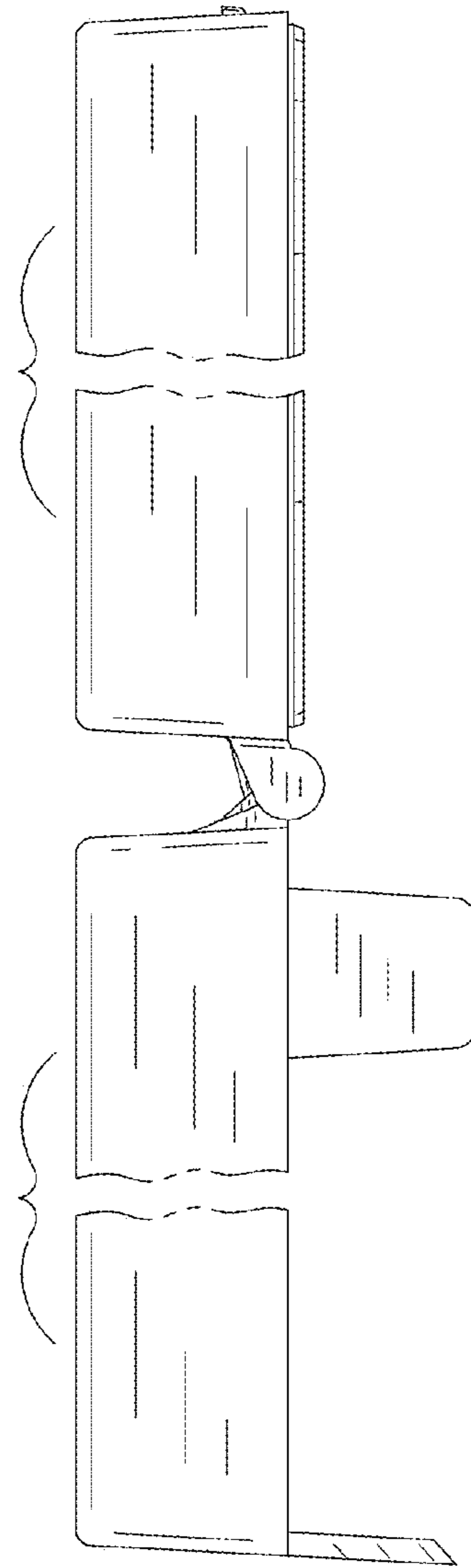


FIG. 13

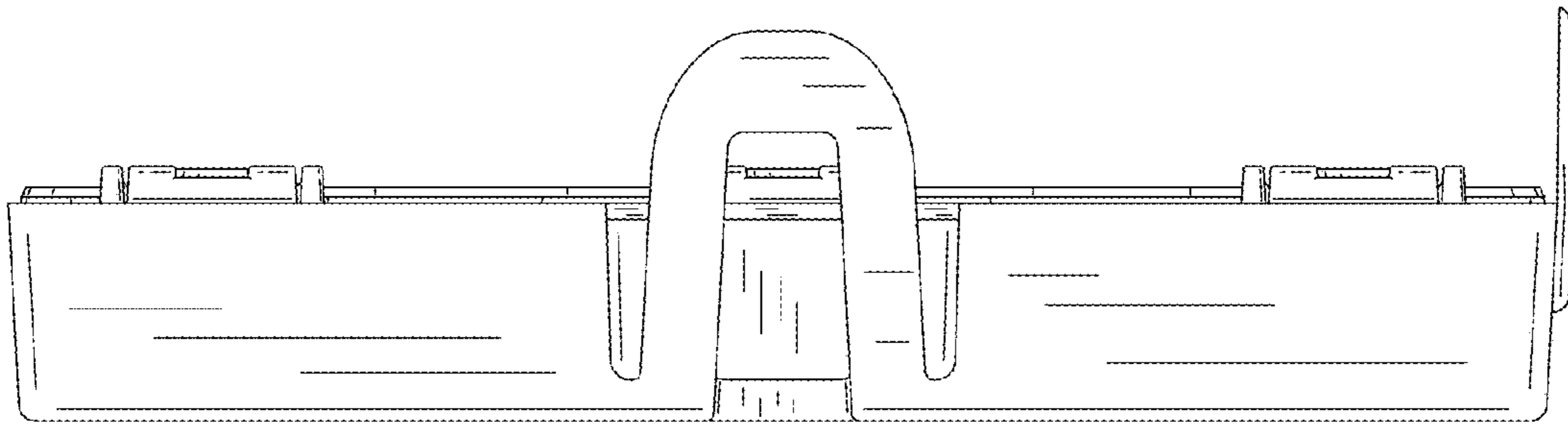


FIG. 14

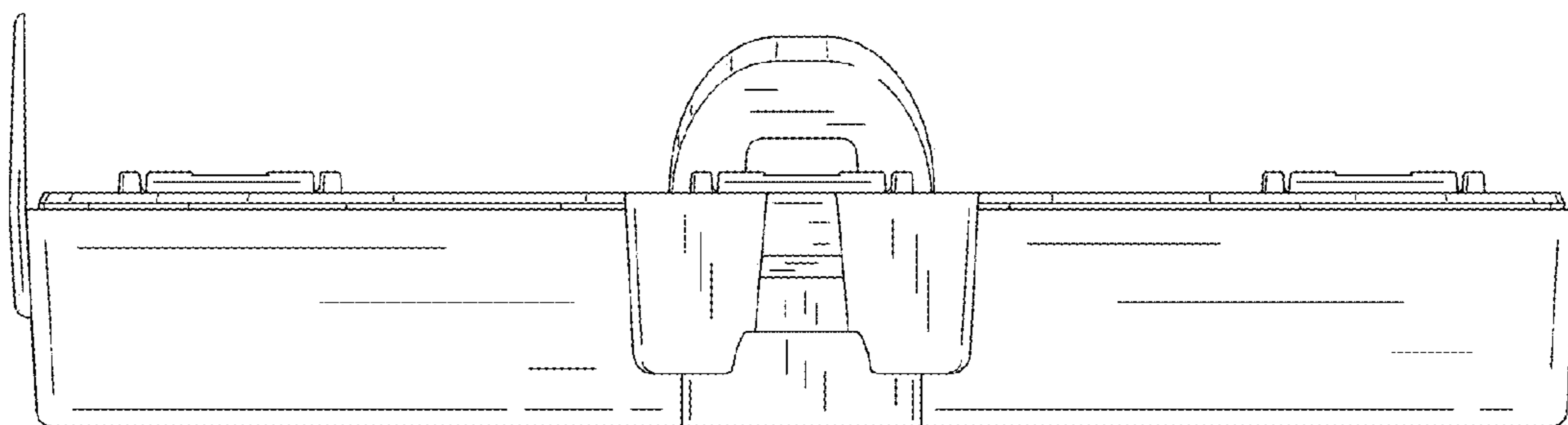


FIG. 15

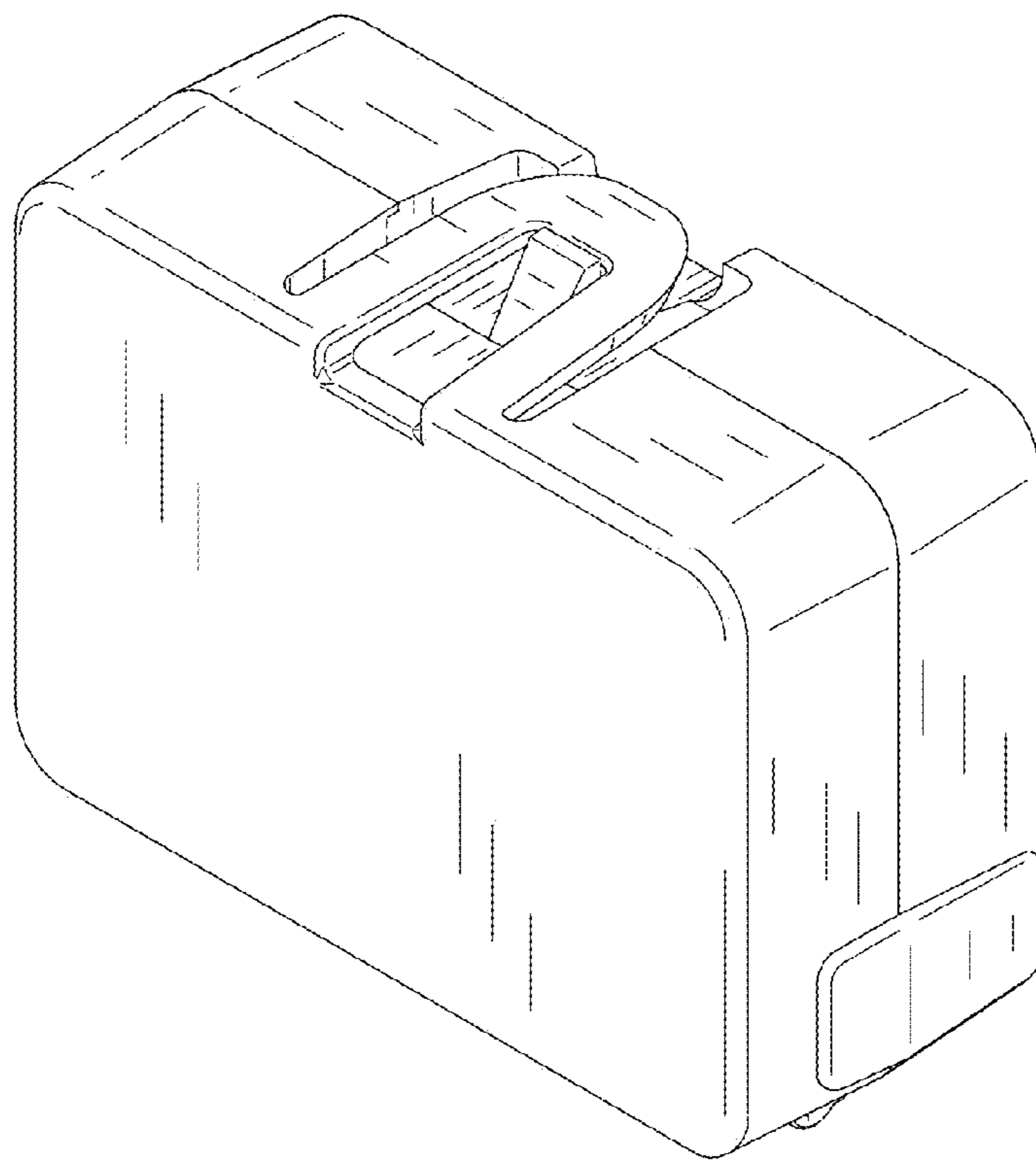


FIG. 16

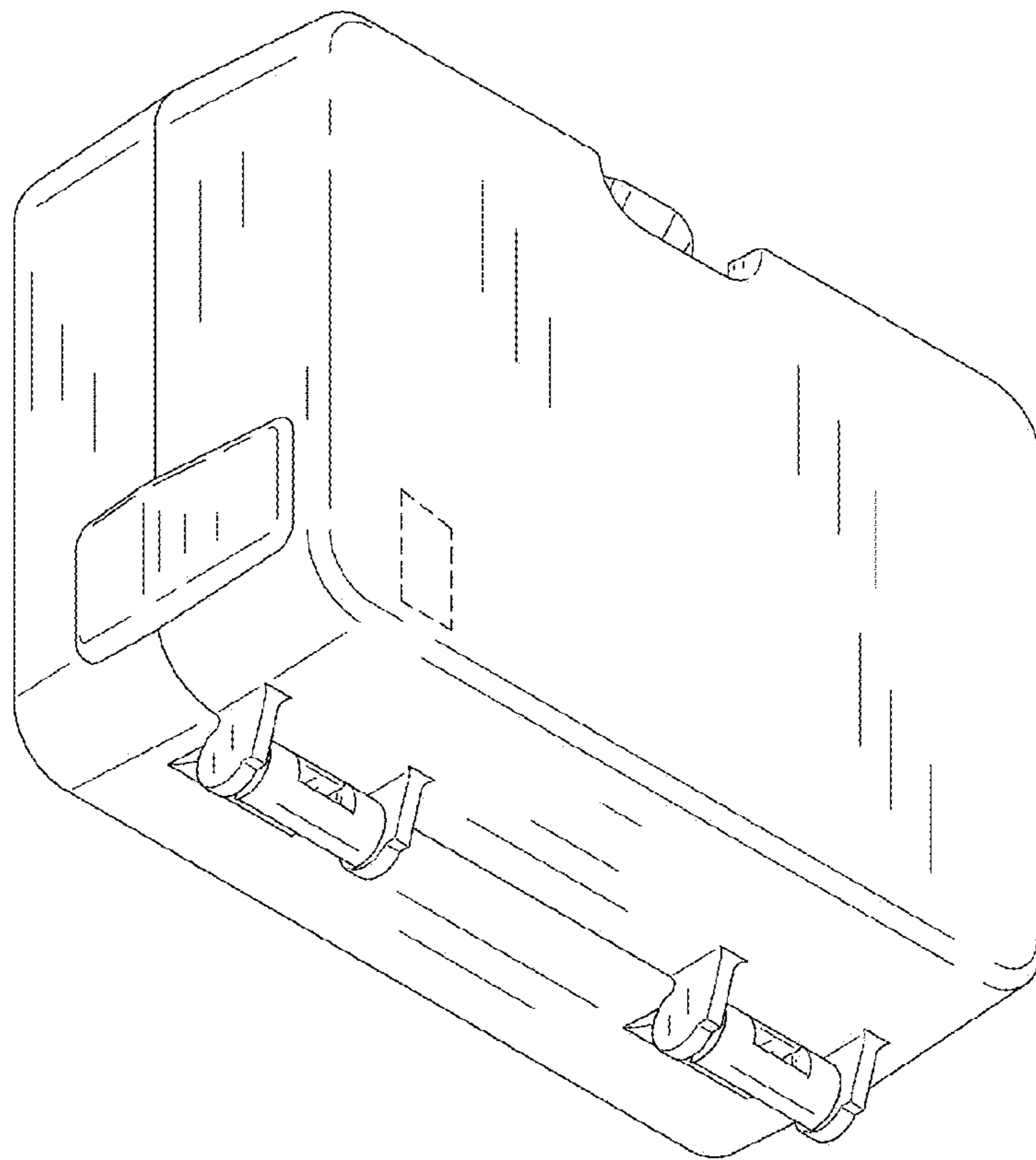


FIG. 17

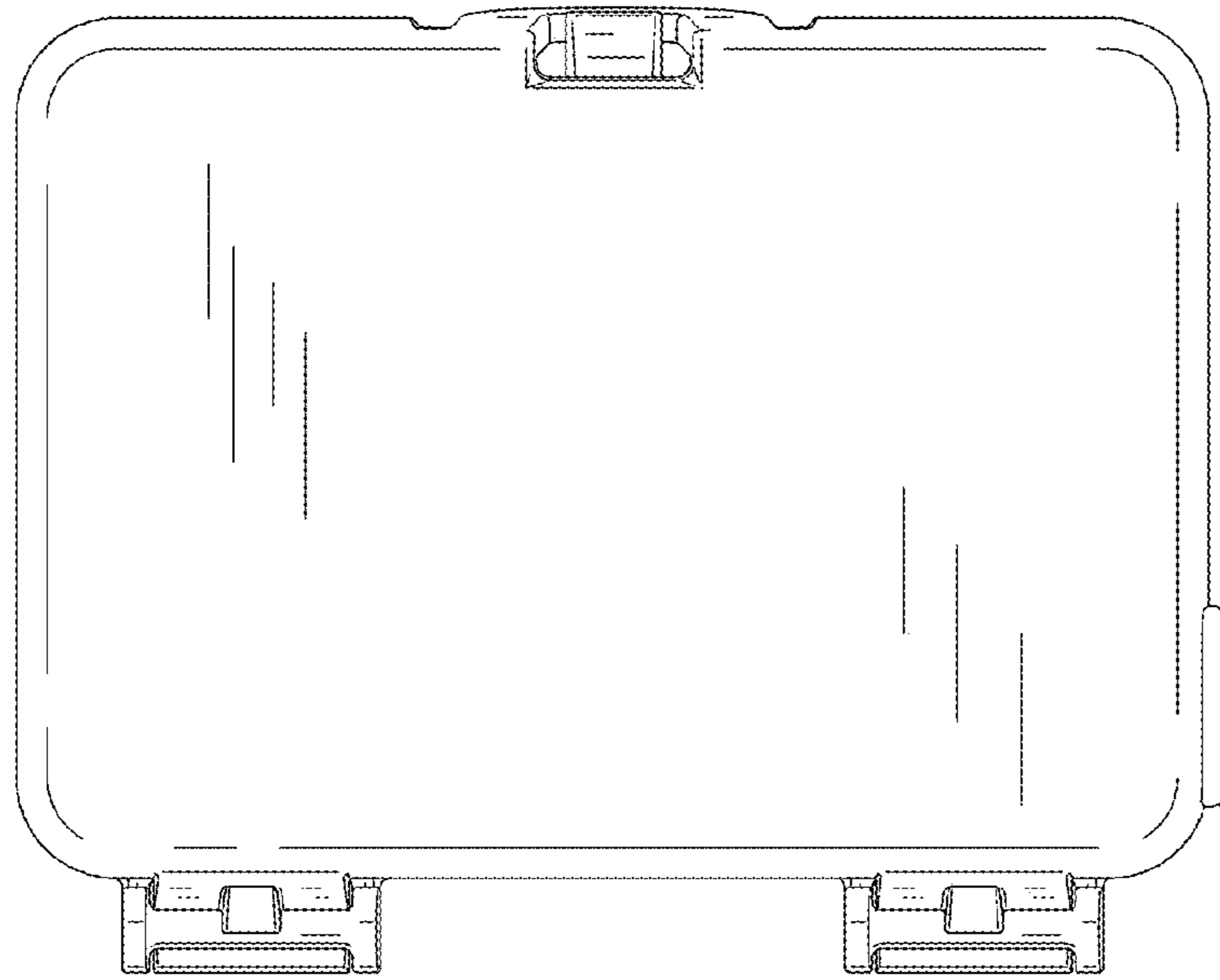


FIG. 18

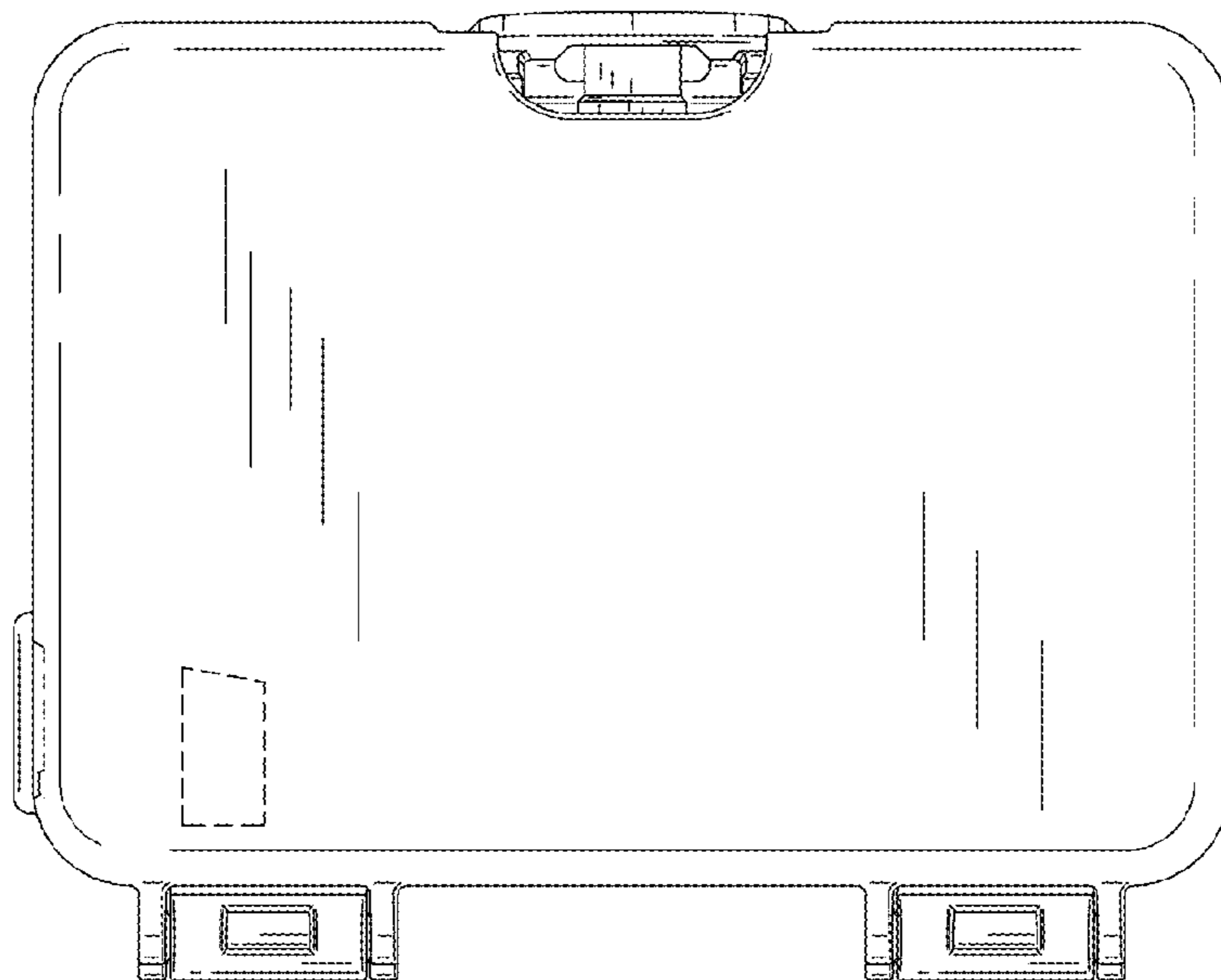


FIG. 19

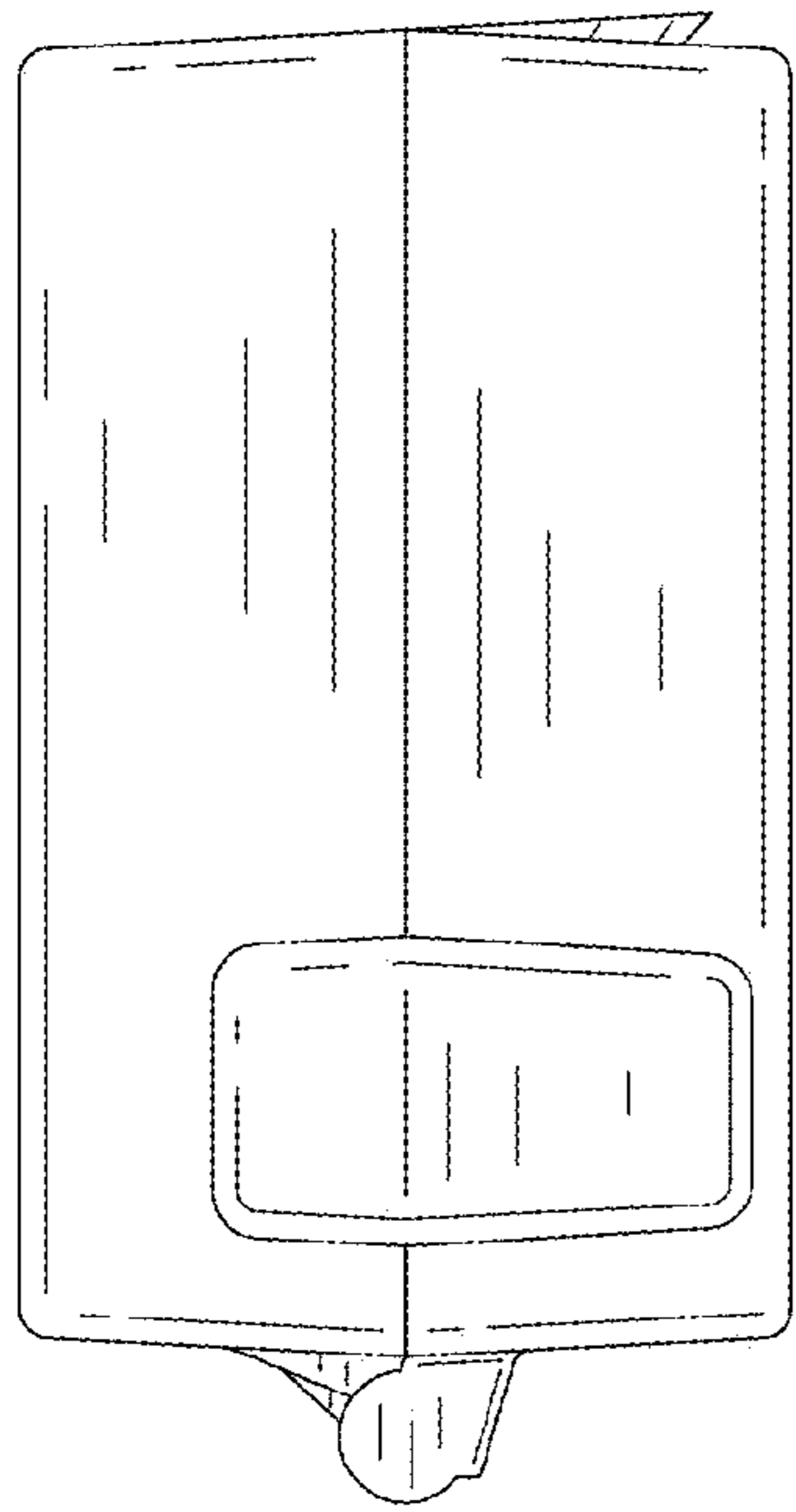


FIG. 20

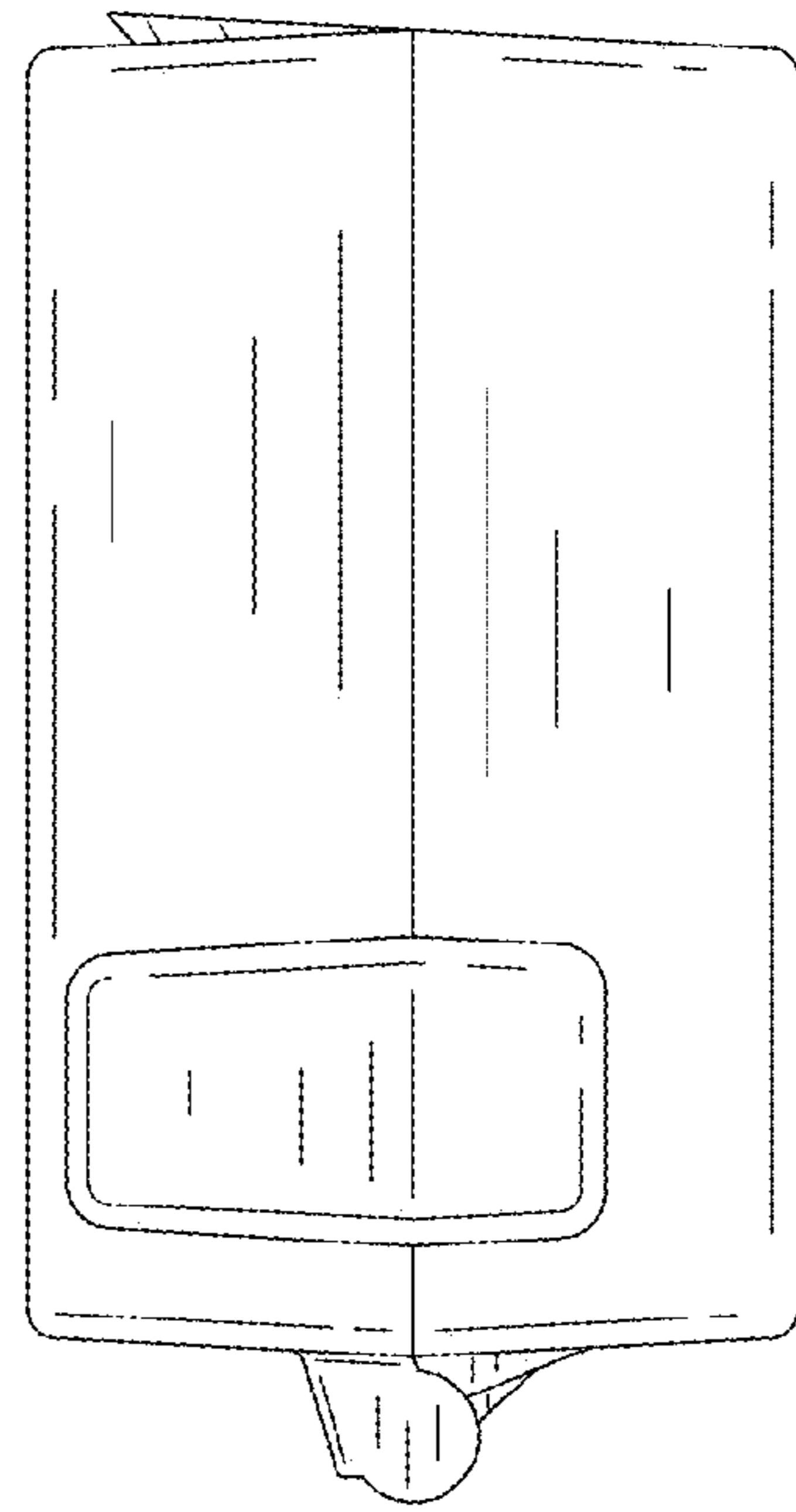


FIG. 21

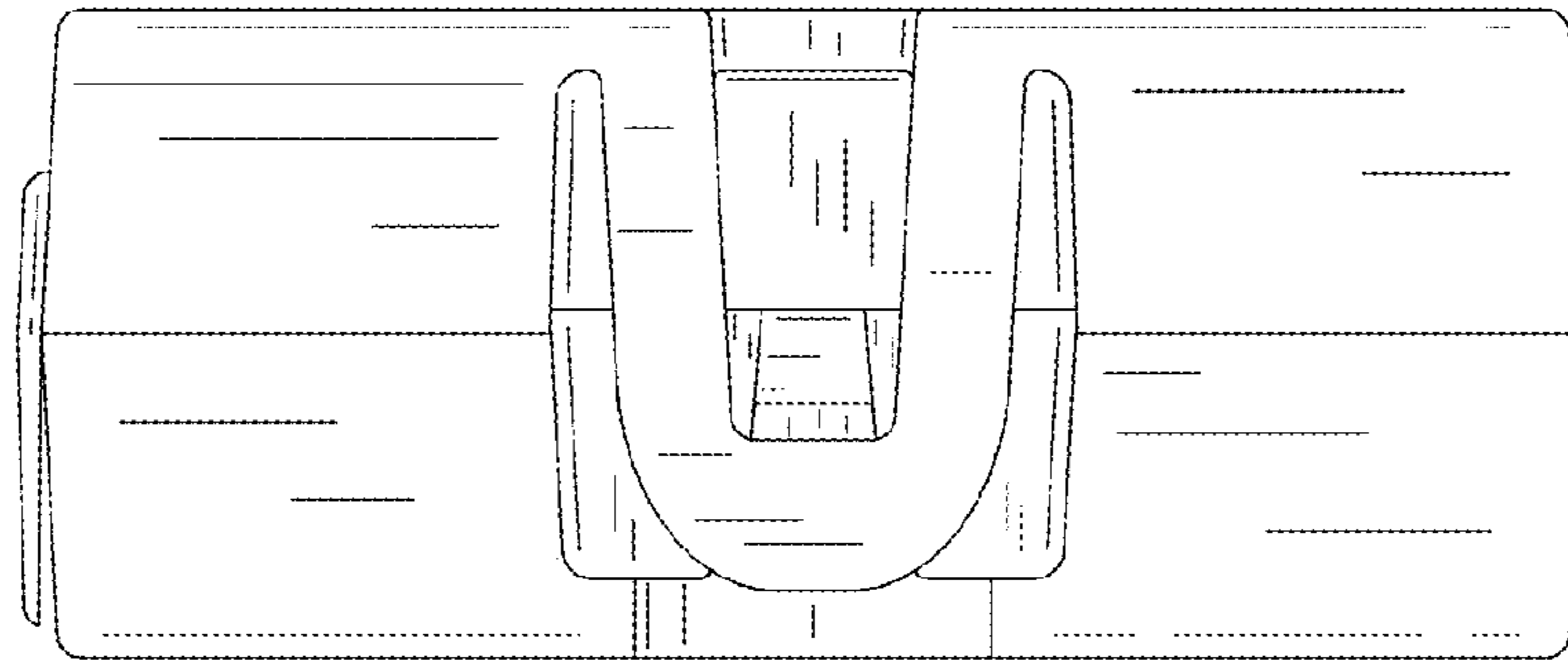


FIG. 22

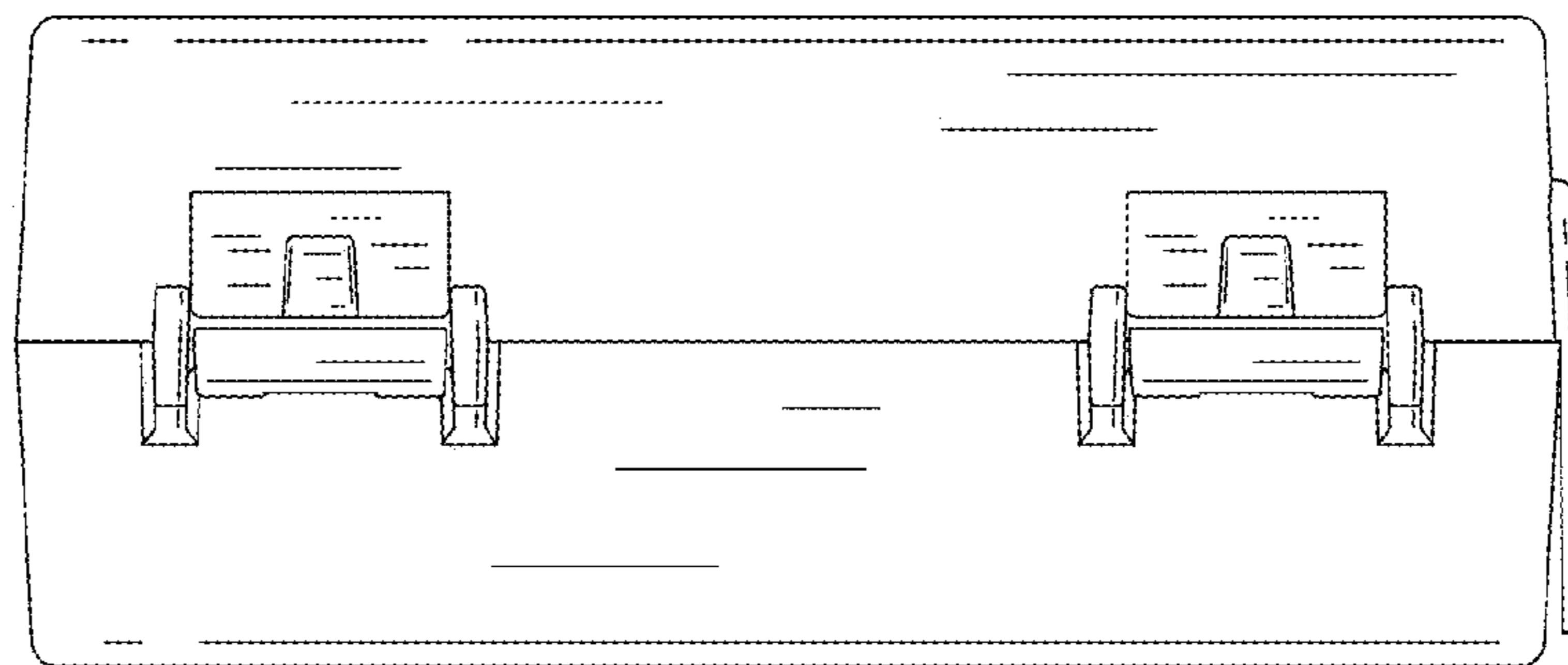


FIG. 23

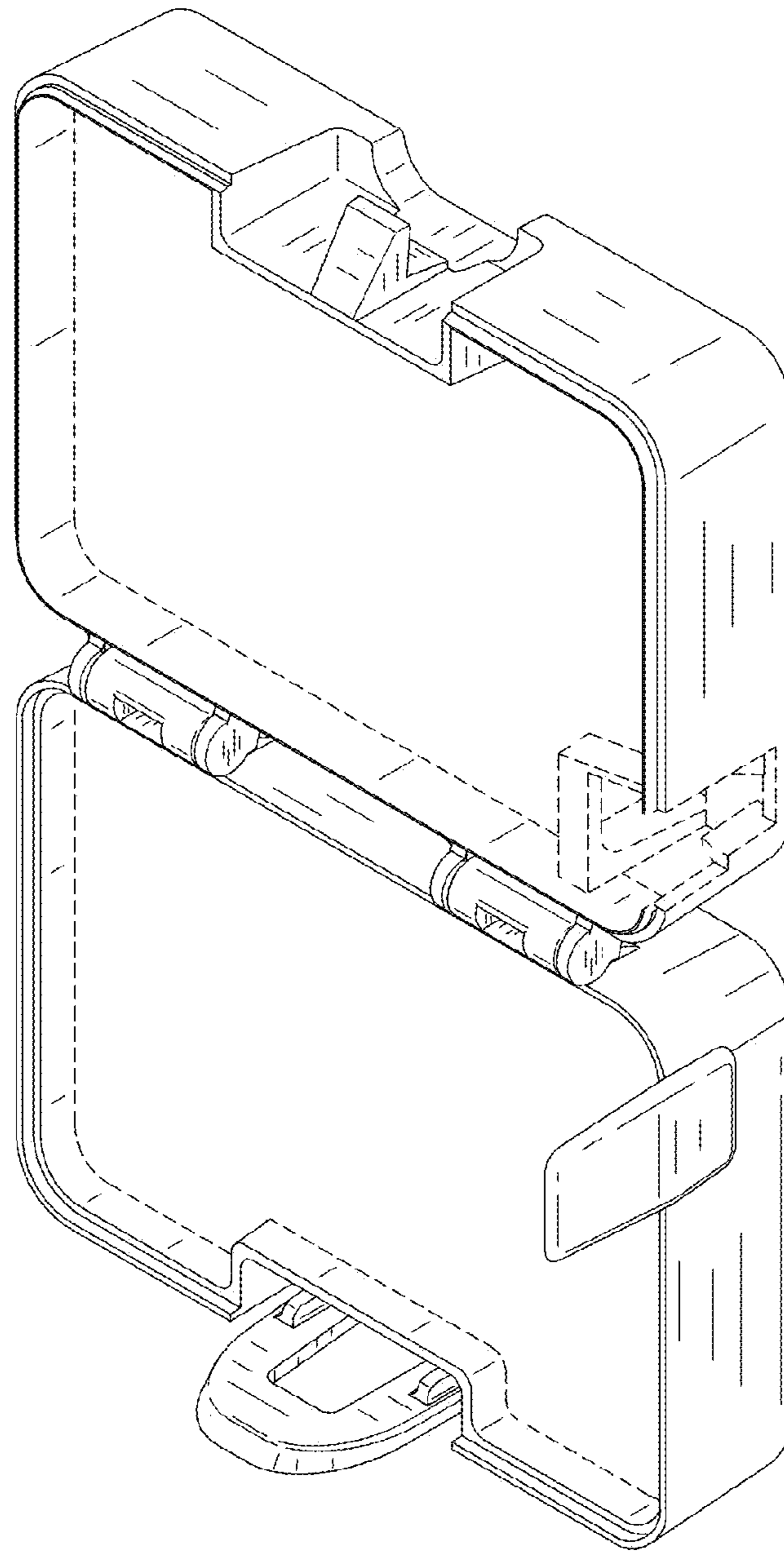


FIG. 24

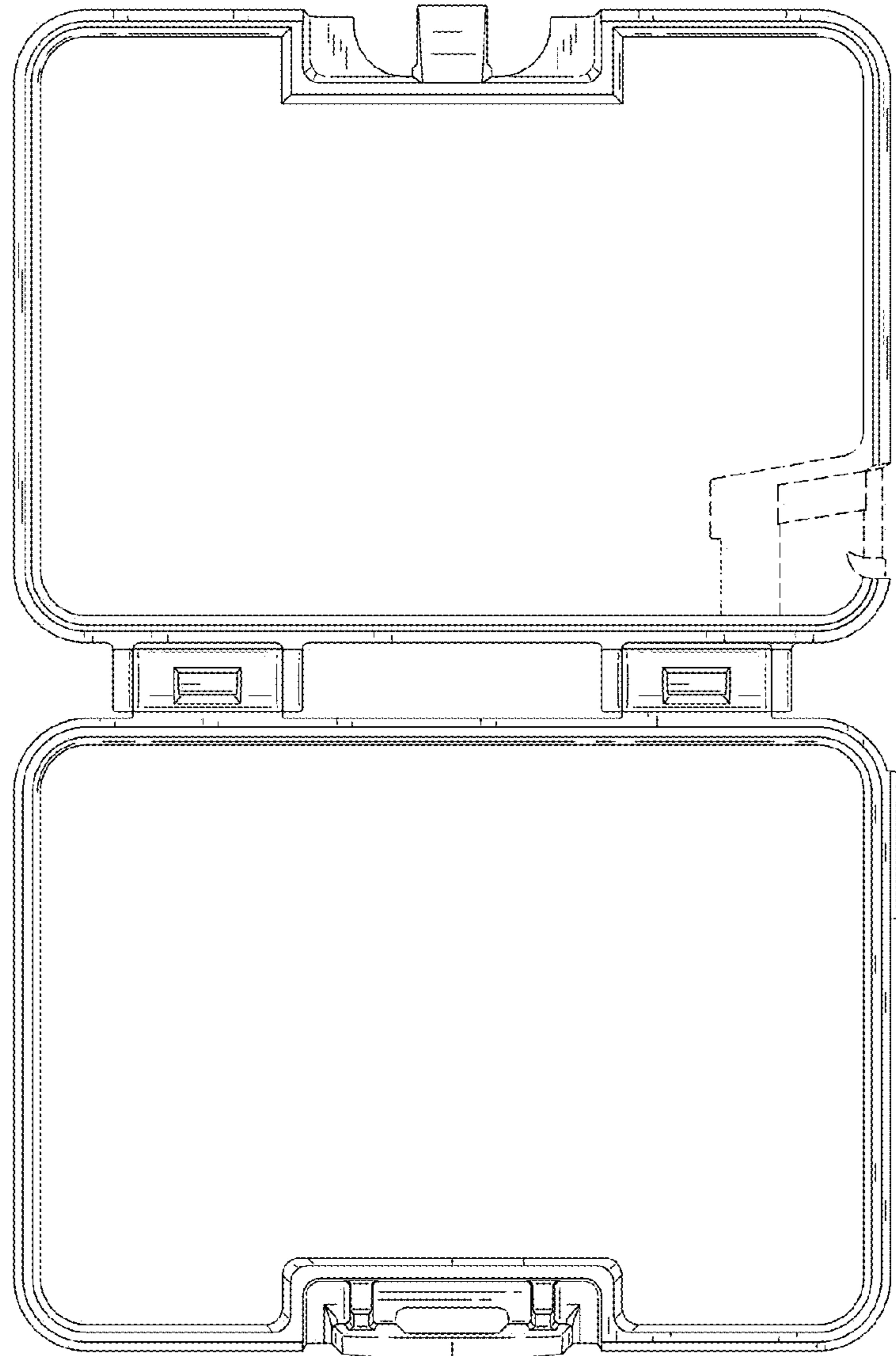


FIG. 25

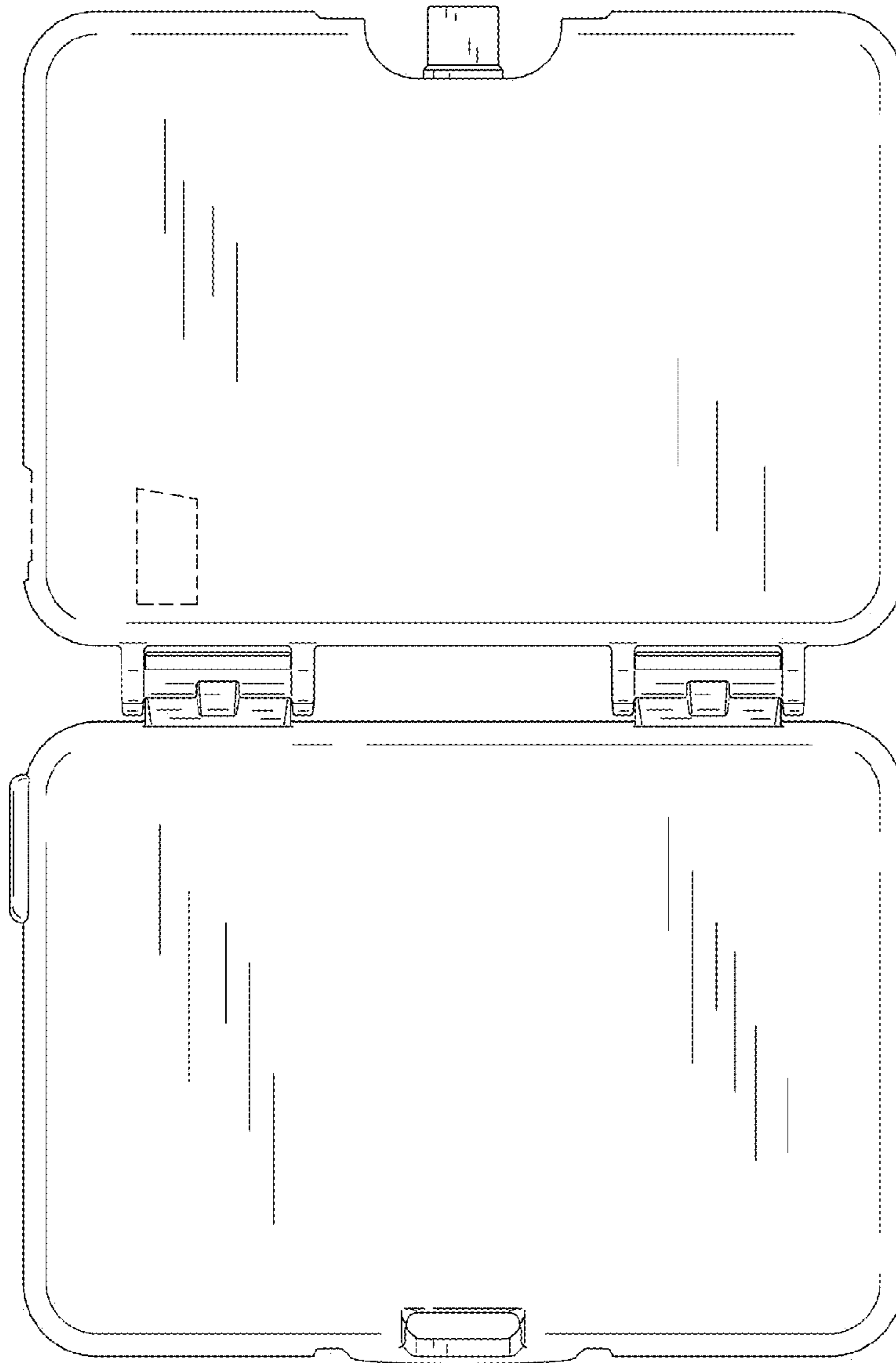


FIG. 26

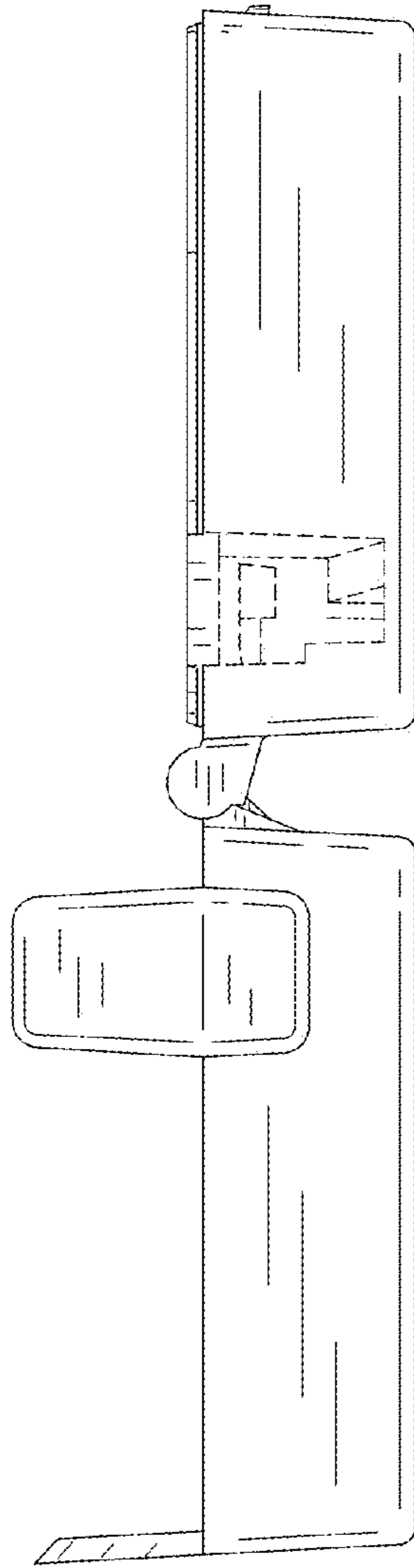


FIG. 27

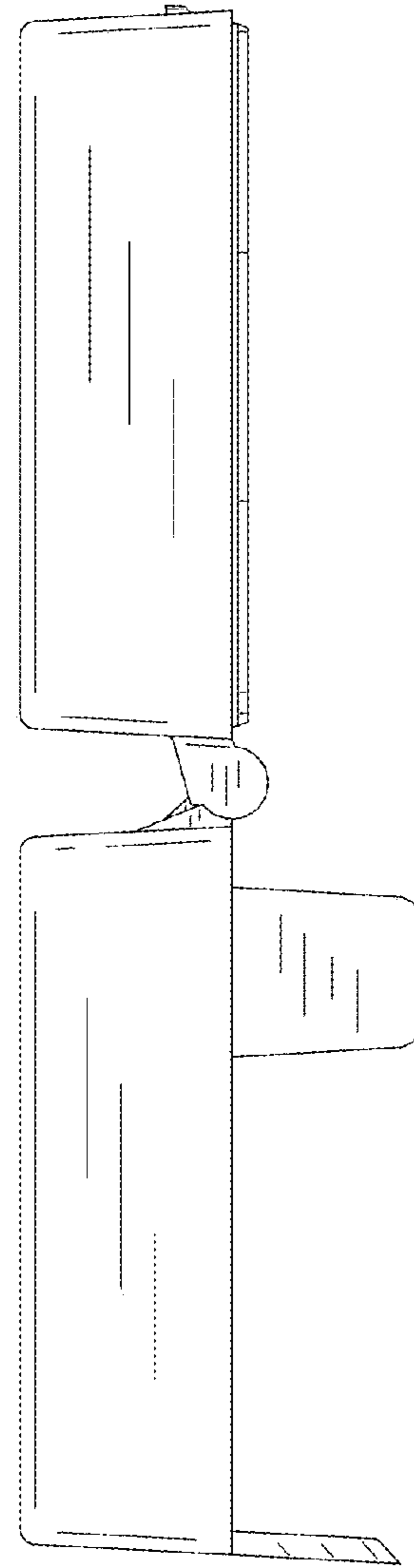


FIG. 28

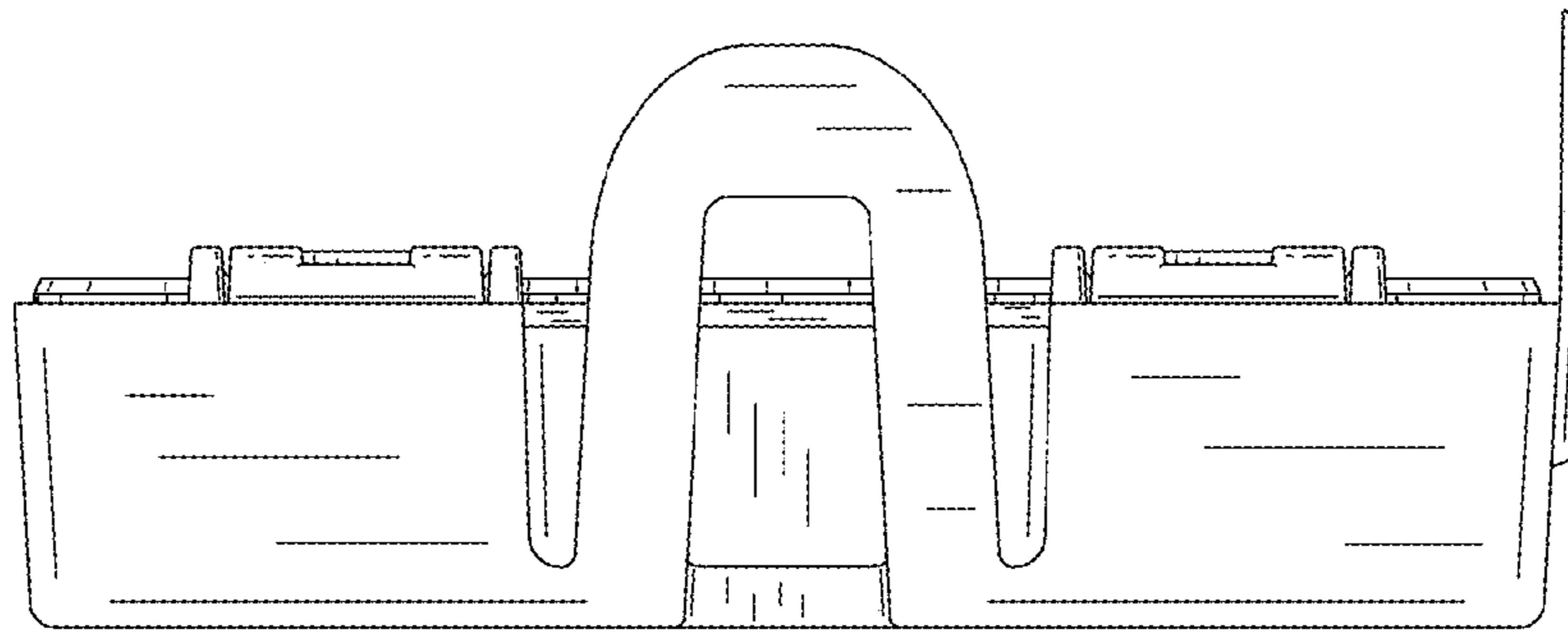


FIG. 29

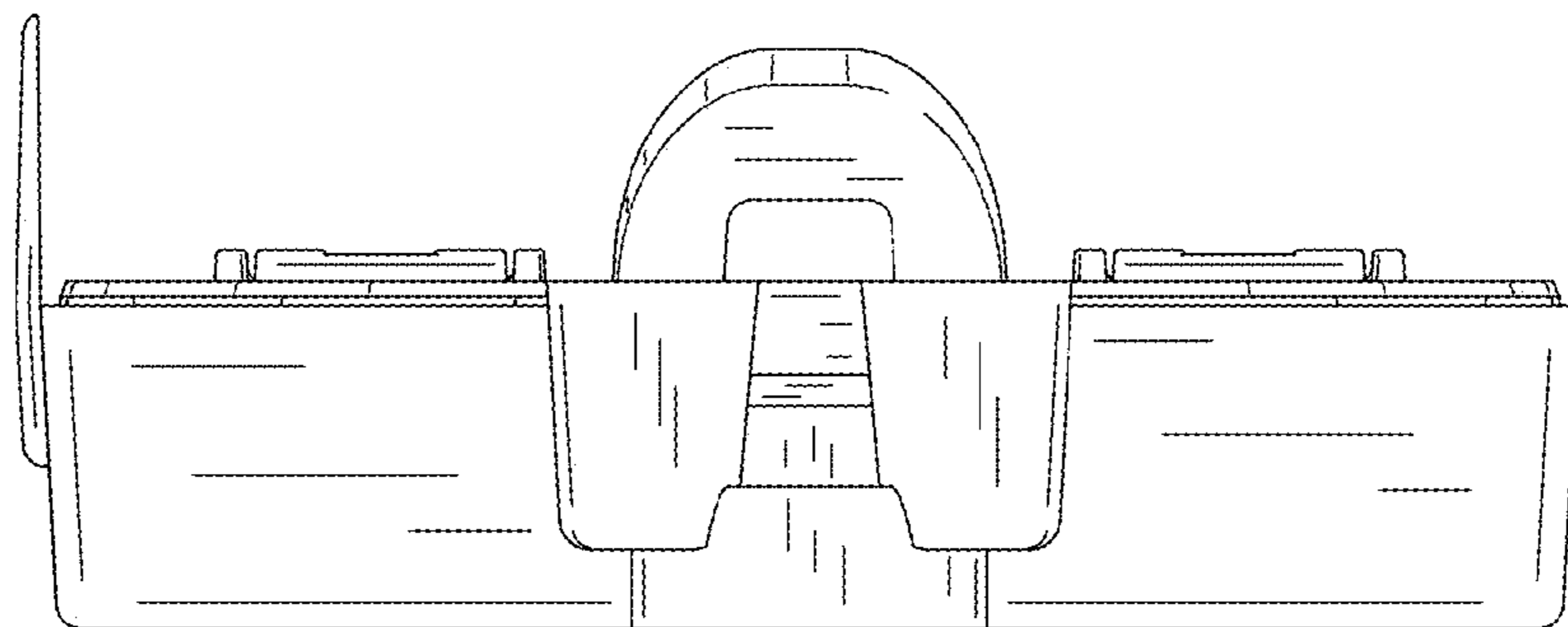


FIG. 30