

US00D721820S

(12) **United States Design Patent**
Oonuma et al.

(10) **Patent No.:** **US D721,820 S**
(45) **Date of Patent:** **** Jan. 27, 2015**

(54) **BIOCHEMICAL ANALYZER**

(71) Applicant: **Hitachi High-Technologies Corporation**, Tokyo (JP)
(72) Inventors: **Mitsuru Oonuma**, Tokyo (JP); **Yoko Sato**, Tokyo (JP); **Takashi Yamamoto**, Tokyo (JP); **Takeshi Setomaru**, Tokyo (JP); **Hideyasu Chiba**, Tokyo (JP)

(73) Assignee: **Hitachi High-Technologies Corporation**, Tokyo (JP)

(**) Term: **14 Years**

(21) Appl. No.: **29/475,891**

(22) Filed: **Dec. 9, 2013**

(30) **Foreign Application Priority Data**

Sep. 3, 2013 (JP) 2013-020378

(51) **LOC (10) Cl.** **24-01**

(52) **U.S. Cl.**
USPC **D24/216; D24/232**

(58) **Field of Classification Search**
USPC D24/216, 223, 231, 232, 233, 186, 107,
D24/219; D10/81, 97; 435/286.1, 286.4,
435/286.5, 287.3; 422/63-67, 509;
73/863.01, 863.02, 863.03, 863.31,
73/863.32

See application file for complete search history.

(56) **References Cited**

U.S. PATENT DOCUMENTS

D297,564 S *	9/1988	Yamamoto et al.	D24/232
D328,352 S *	7/1992	Futatsuka	D24/232
D473,318 S *	4/2003	Barbera-Guillem	D24/216
D671,227 S *	11/2012	Parker et al.	D24/216
D681,844 S *	5/2013	Matsuguma	D24/232
D682,414 S *	5/2013	Chen	D24/107

* cited by examiner

Primary Examiner — Anhdao Doan

(74) *Attorney, Agent, or Firm* — Antonelli, Terry, Stout & Kraus, LLP.

(57) **CLAIM**

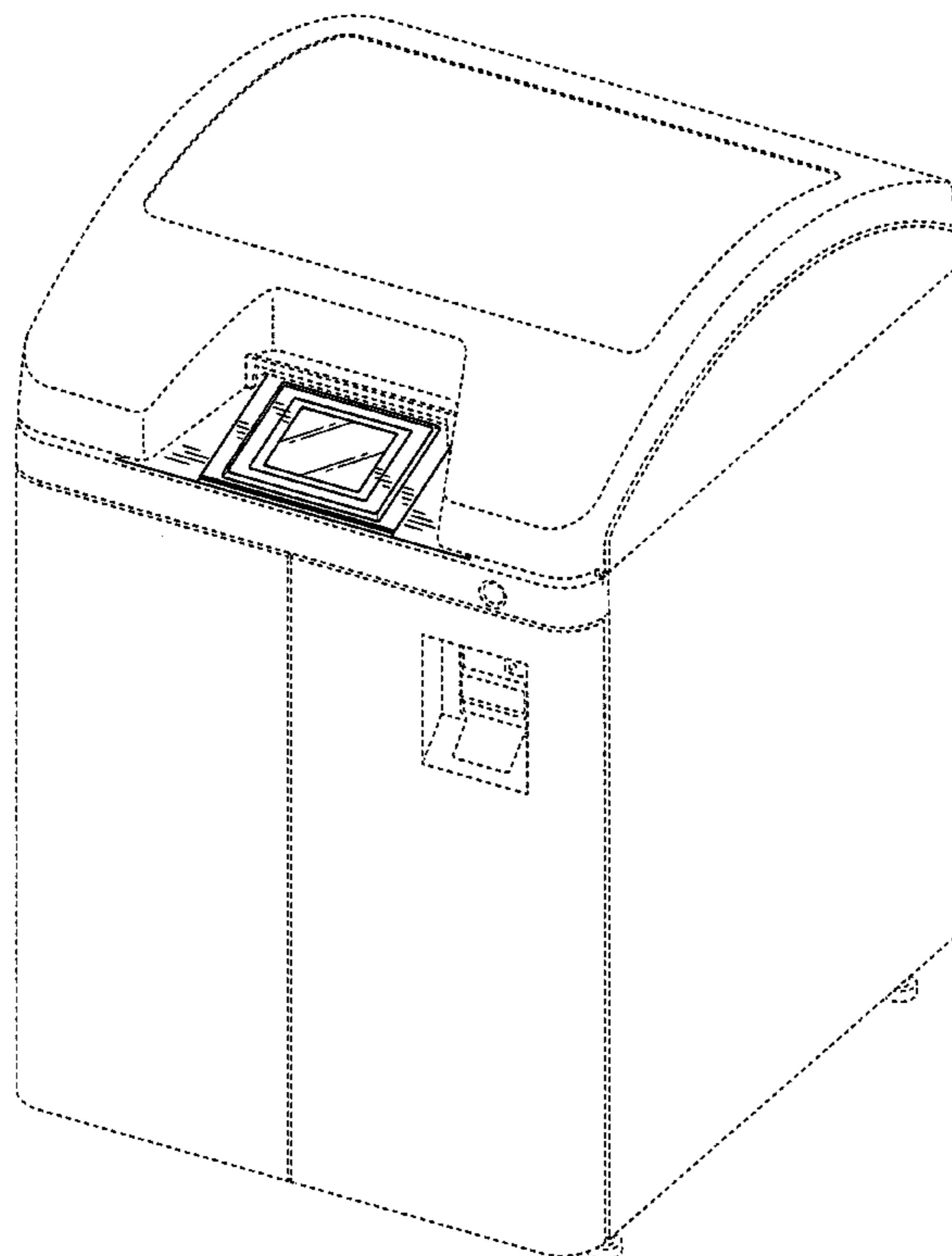
We claim the ornamental design for a biochemical analyzer, as shown and described.

DESCRIPTION

FIG. 1 is a front, top and right side perspective view of a biochemical analyzer showing our new design; FIG. 2 is a front elevational view thereof; FIG. 3 is a rear elevational view thereof; FIG. 4 is a left side elevational view thereof; FIG. 5 is a right side elevational view thereof; FIG. 6 is a top plan view thereof; and, FIG. 7 is a bottom plan view thereof.

The broken lines immediately adjacent the shaded areas represent the bounds of the claim, and all other broken lines represent unclaimed portions of the biochemical analyzer. None of the broken lines form a part of the claimed design.

1 Claim, 7 Drawing Sheets



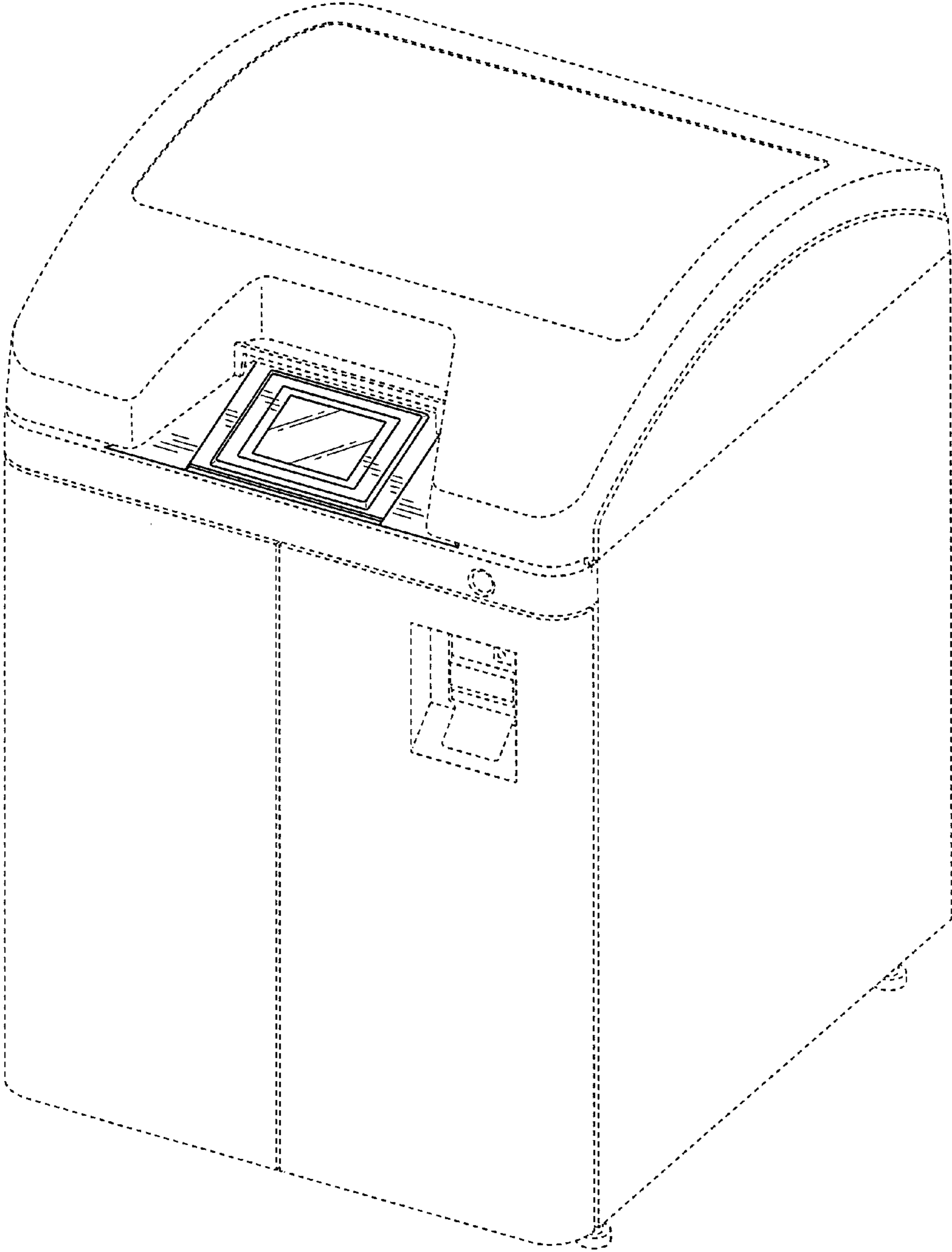


FIG. 1

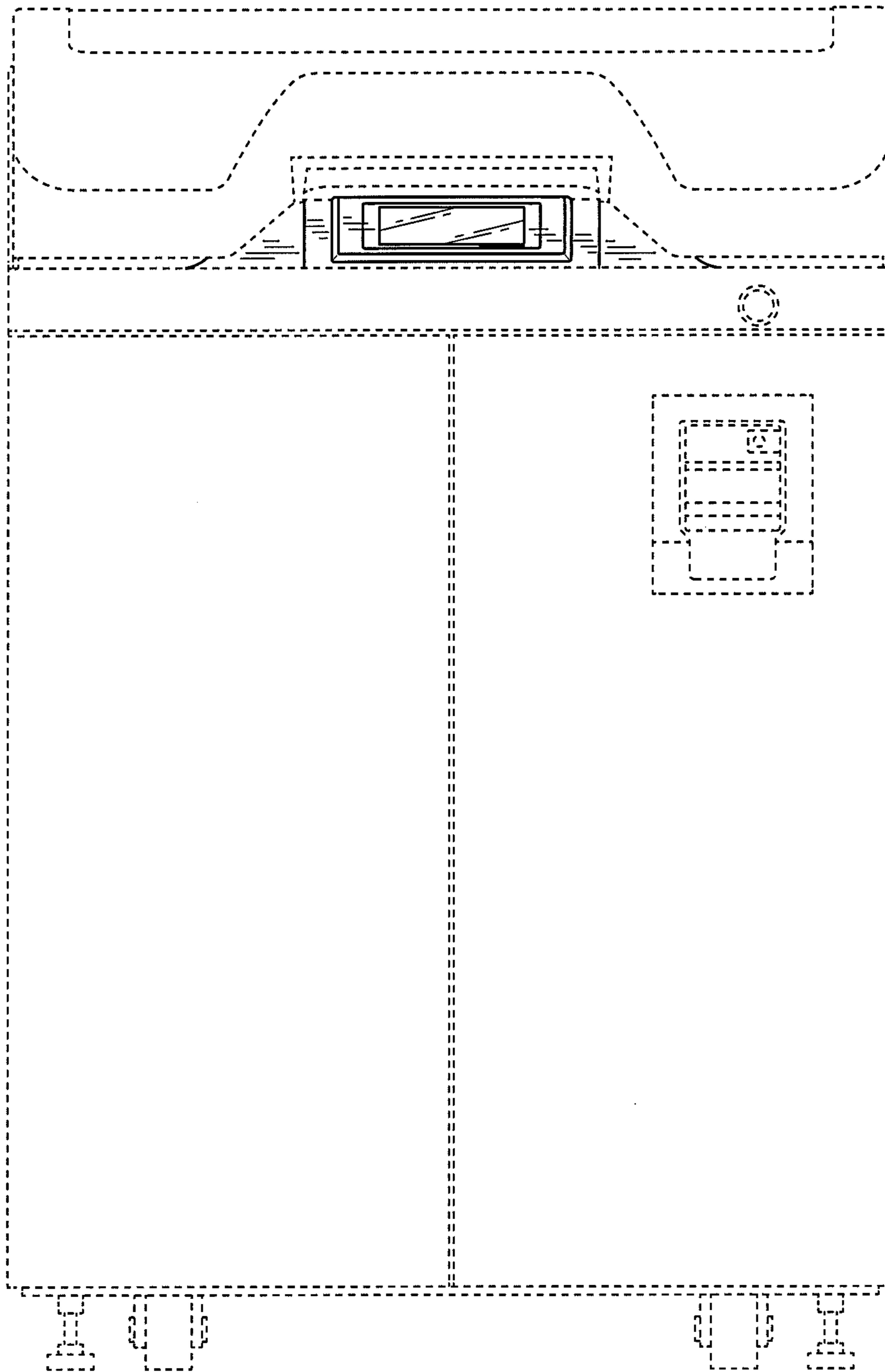


FIG. 2

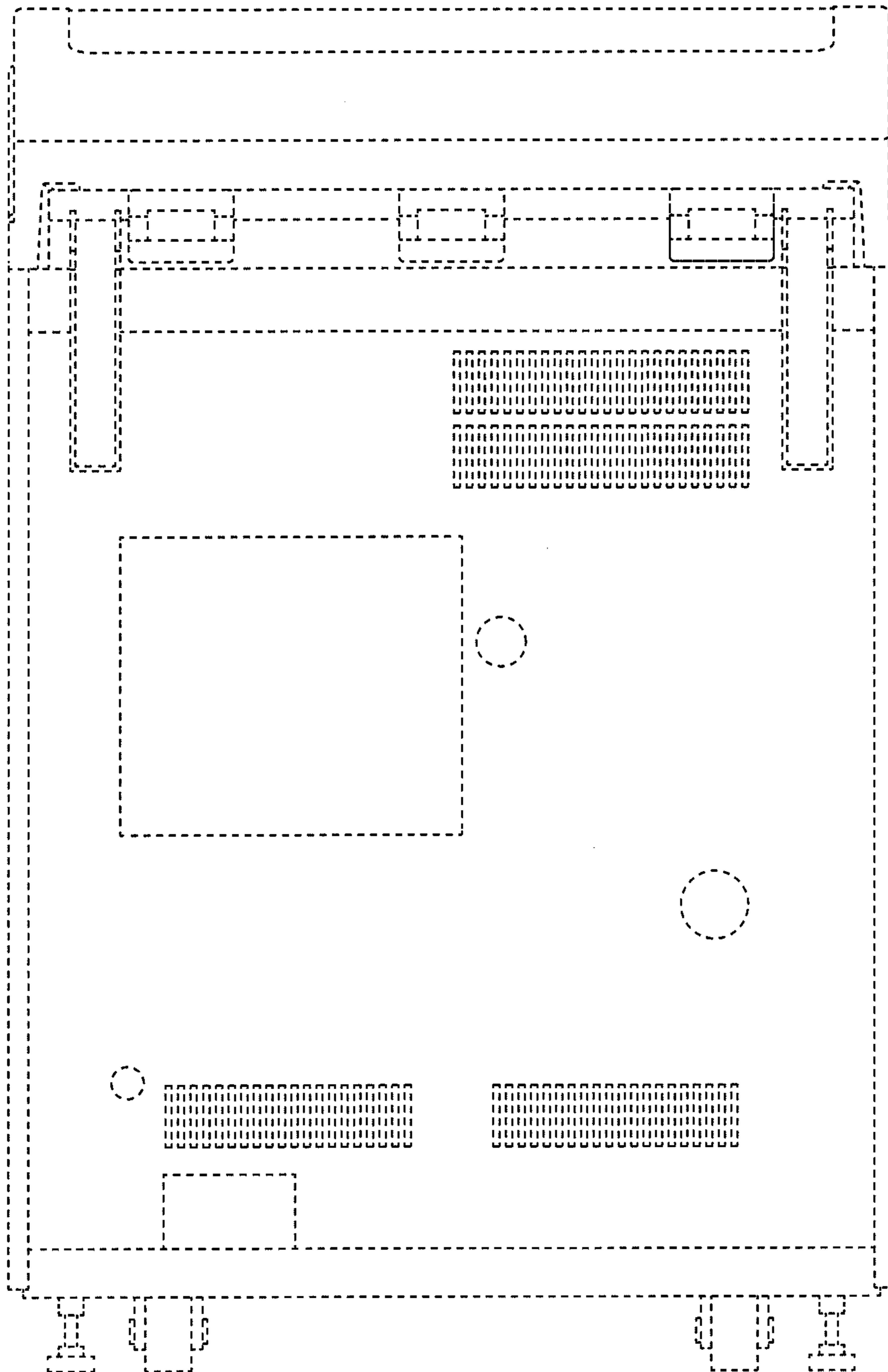


FIG. 3

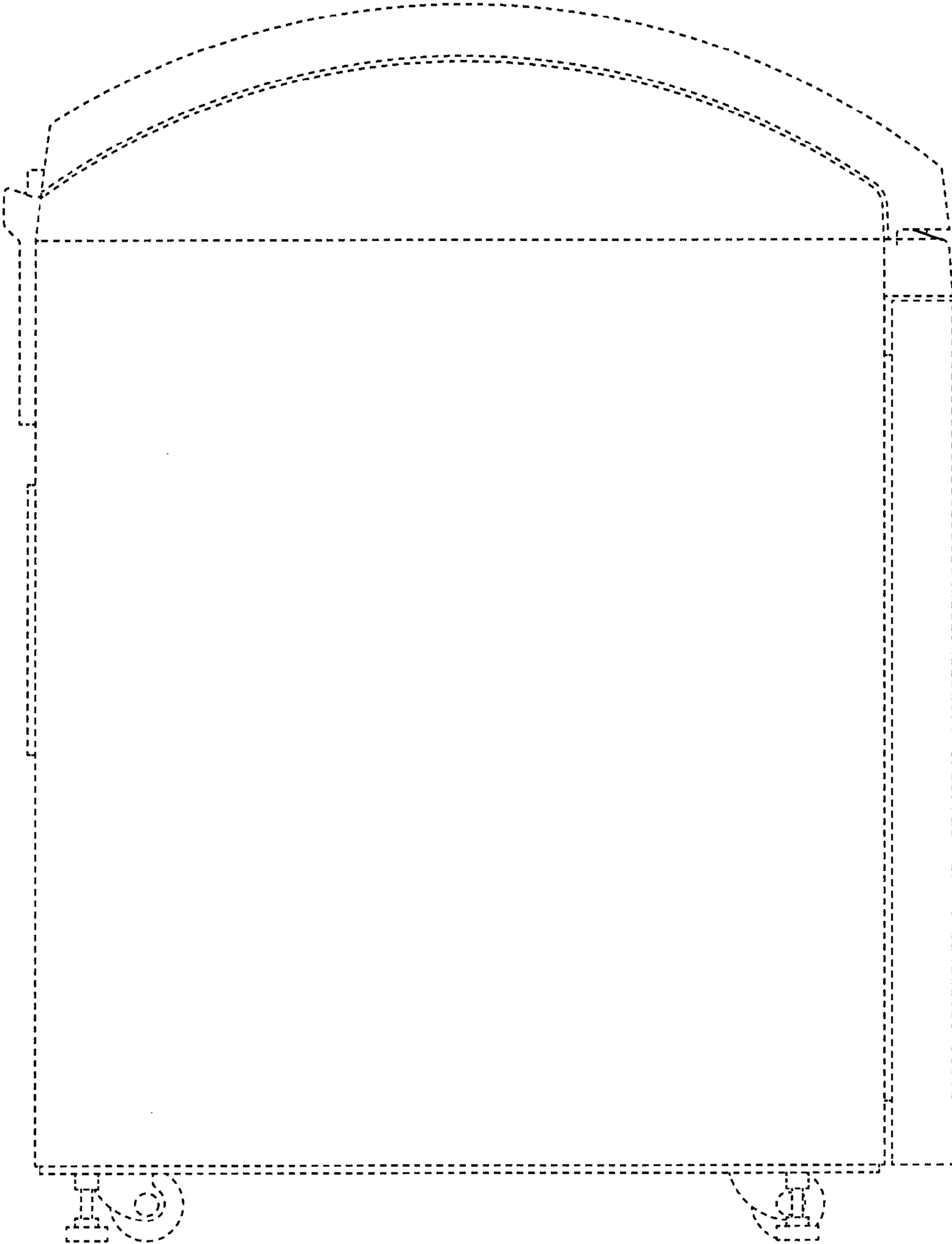


FIG. 4

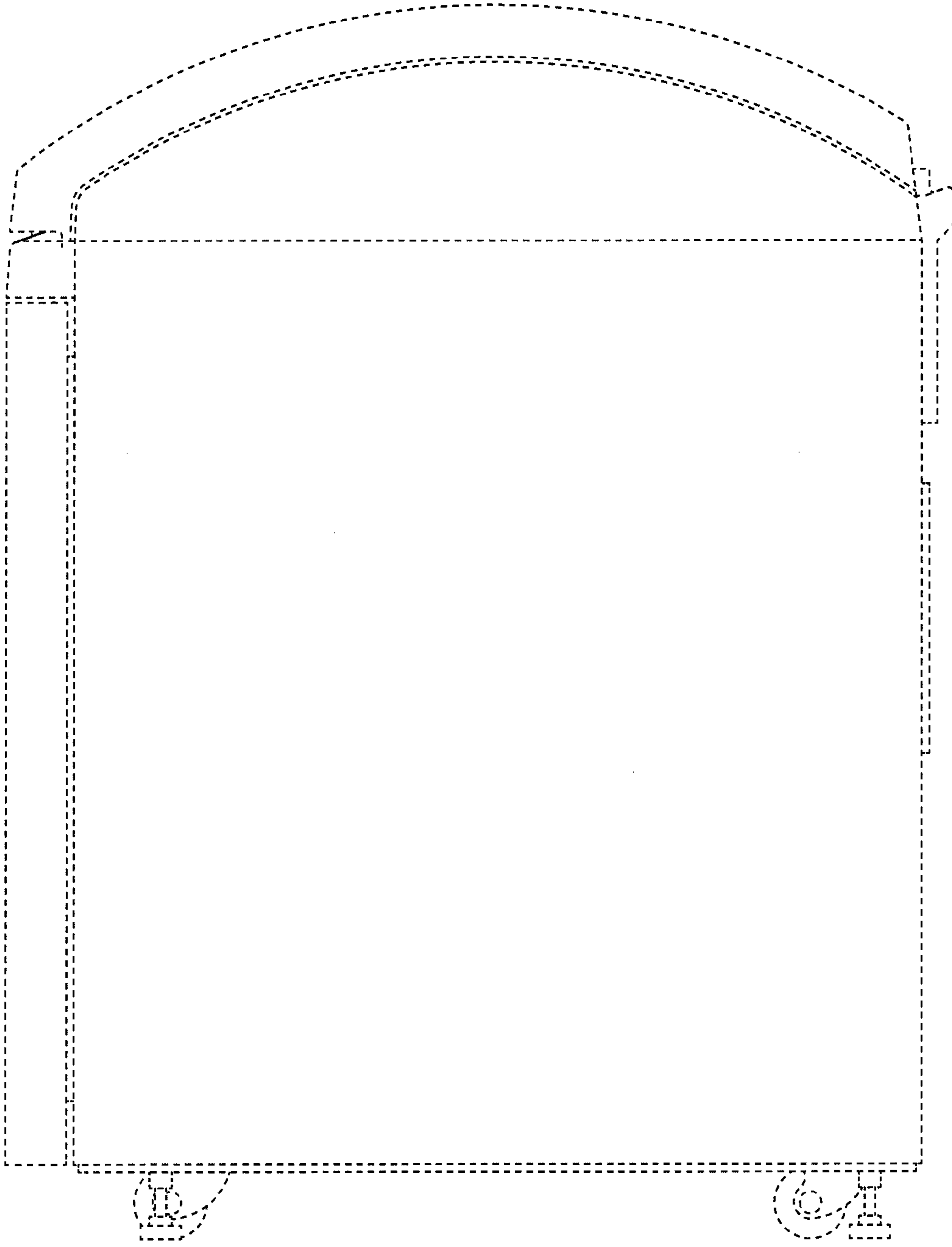


FIG. 5

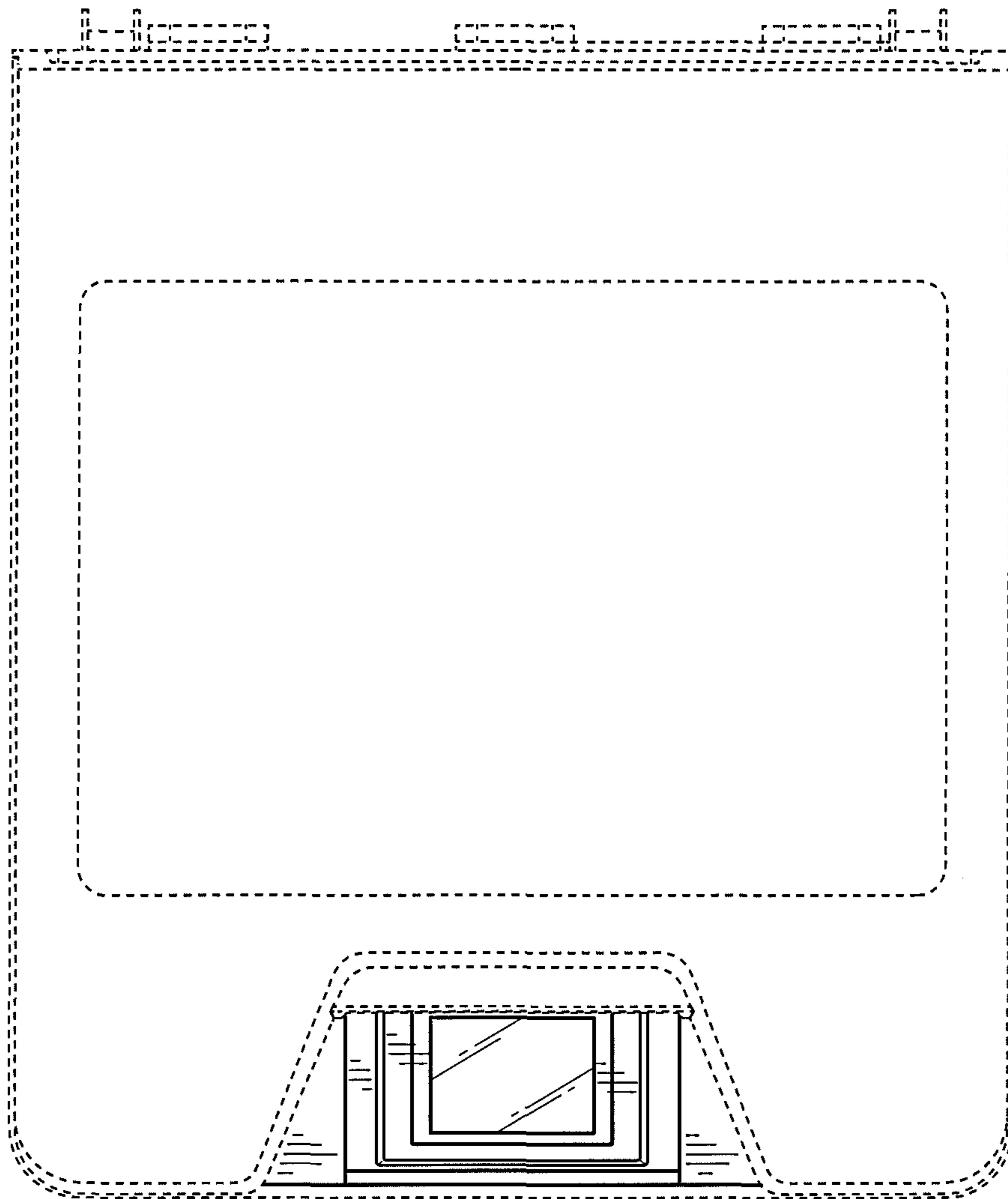


FIG. 6

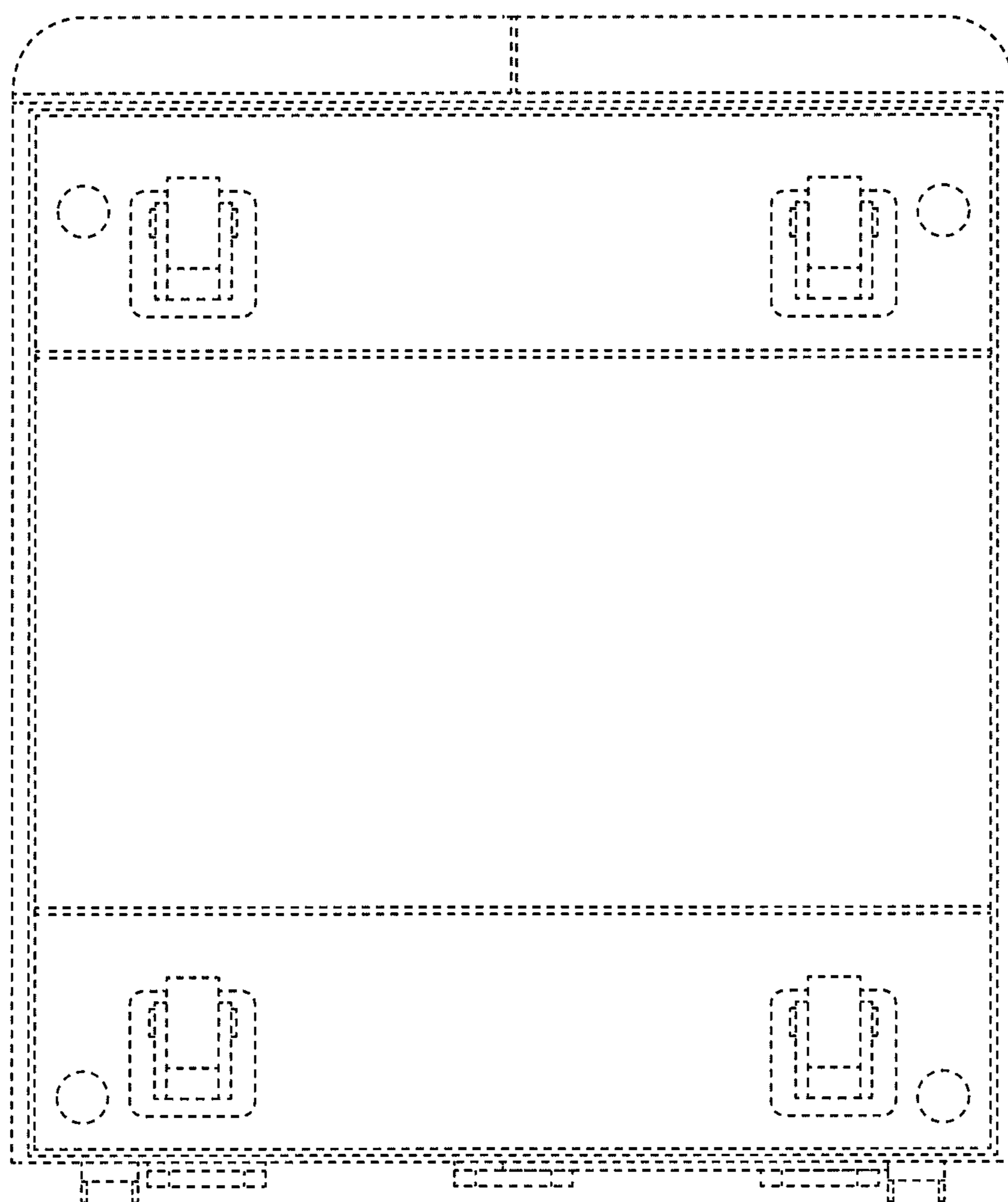


FIG. 7