



US00D721815S

(12) **United States Design Patent**
Lura et al.

(10) **Patent No.:** **US D721,815 S**

(45) **Date of Patent:** **** *Jan. 27, 2015**

(54) **PORTABLE DIALYSIS CABINET**

(56) **References Cited**

(71) Applicant: **Medtronic, Inc.**, Minneapolis, MN (US)

U.S. PATENT DOCUMENTS

(72) Inventors: **David Lura**, Maple Grove, MN (US);
Martin Gerber, Maple Grove, MN
(US); **Bryant Pudil**, Plymouth, MN
(US); **Thomas Meyer**, Stillwater, MN
(US); **Brian Mullins**, Minneapolis, MN
(US)

D86,687	S	*	4/1932	Prouty	D24/185
D101,605	S	*	10/1936	Anderson	D24/200
D263,573	S	*	3/1982	Ingledew	D34/14
D273,717	S	*	5/1984	McCombs	D24/164
D319,308	S	*	8/1991	Royse et al.	D24/185
5,113,546	A	*	5/1992	Parent	15/315
D332,855	S	*	1/1993	Royse et al.	D34/19
5,465,841	A	*	11/1995	Wilson et al.	206/366
D415,328	S	*	10/1999	Uehara et al.	D34/19
D598,109	S		8/2009	Collins et al.		
D609,350	S		2/2010	Hickey et al.		

(73) Assignee: **Medtronic, Inc.**, Minneapolis, MN (US)

(*) Notice: This patent is subject to a terminal disclaimer.

(Continued)

(**) Term: **14 Years**

Primary Examiner — Ian Simmons

Assistant Examiner — Rhea Shields

(21) Appl. No.: **29/452,860**

(74) *Attorney, Agent, or Firm* — Hahn & Voight PLLC;
Roger C. Hahn; Kenneth J. Collier

(22) Filed: **Apr. 22, 2013**

Related U.S. Application Data

(57) **CLAIM**

We claim the ornamental design for a portable dialysis cabinet, as shown and described.

(63) Continuation-in-part of application No. 29/446,277, filed on Feb. 21, 2013, now Pat. No. Des. 705,432, and a continuation-in-part of application No. 13/757,693, filed on Feb. 1, 2013, and a continuation-in-part of application No. 13/757,709, filed on Feb. 1, 2013, and a continuation-in-part of application No. 13/757,717, filed on Feb. 1, 2013, and a continuation-in-part of application No. 13/757,722, filed on Feb. 1, 2013, and a continuation-in-part of application No. 13/757,728, filed on Feb. 1, 2013.

DESCRIPTION

FIG. 1 is a perspective view of a portable dialysis cabinet according to one embodiment;
FIG. 2 is a front view of the portable dialysis cabinet referenced in FIG. 1;
FIG. 3 is a rear view of the portable dialysis cabinet referenced in FIG. 1;
FIG. 4 is a left side view of the portable dialysis cabinet referenced in FIG. 1;
FIG. 5 is a right side view of the portable dialysis cabinet referenced in FIG. 1;
FIG. 6 is a top view of the portable dialysis cabinet referenced in FIG. 1; and,
FIG. 7 is a bottom view of the portable dialysis cabinet referenced in FIG. 1.

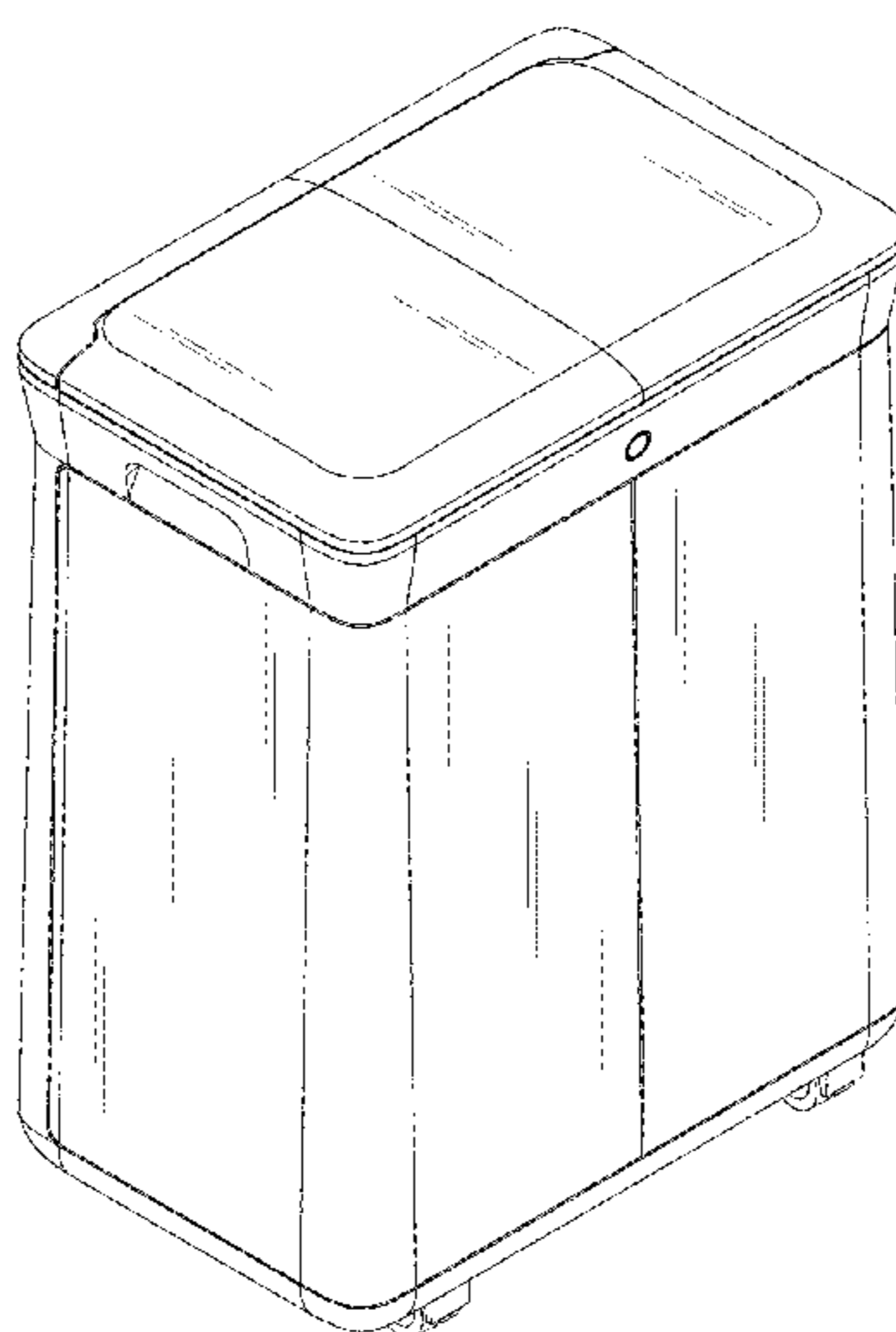
(51) **LOC (10) Cl.** **24-00**

(52) **U.S. Cl.**
USPC **D24/185**

(58) **Field of Classification Search**
USPC D24/185, 186, 144, 160, 167-169, 172,
D24/200, 158, 164; D34/12, 14; 312/22,
312/109, 209, 223.1, 286, 249.8, 249.12;
248/282.1; 600/437, 443, 459

See application file for complete search history.

1 Claim, 7 Drawing Sheets



(56)

References Cited

U.S. PATENT DOCUMENTS

D613,411 S 4/2010 Collins et al.
D629,906 S 12/2010 Hickey et al.
D631,548 S 1/2011 McGill et al.
D637,293 S 5/2011 Hickey et al.
D639,930 S 6/2011 Collins et al.

D646,392 S 10/2011 Collins et al.
D650,063 S 12/2011 Collins et al.
D663,844 S 7/2012 McGill et al.
D664,255 S 7/2012 Hickey et al.
D664,660 S 7/2012 Hickey et al.
D675,727 S 2/2013 Collins et al.
2007/0138922 A1* 6/2007 Frederick et al. 312/109

* cited by examiner

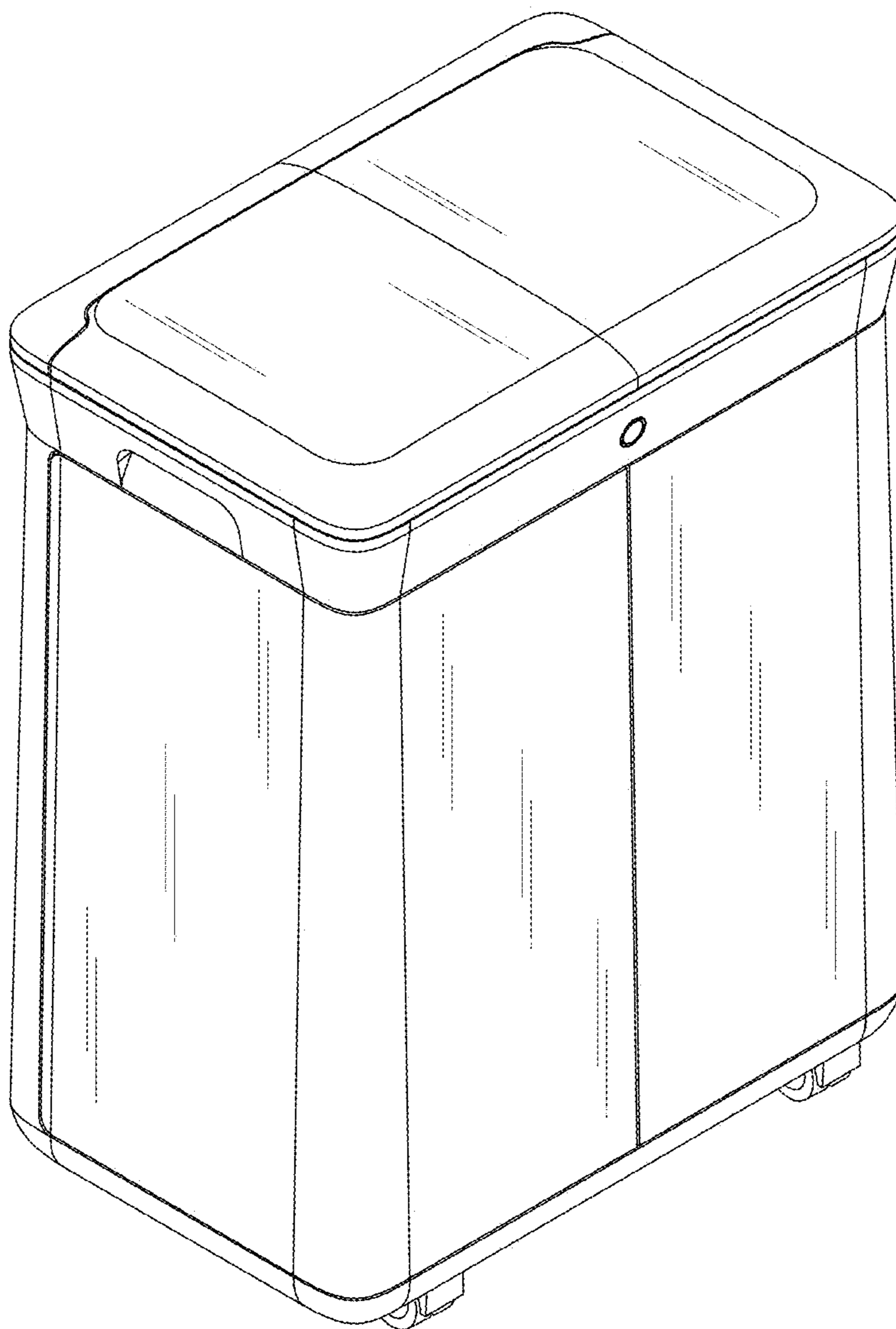


FIG. 1

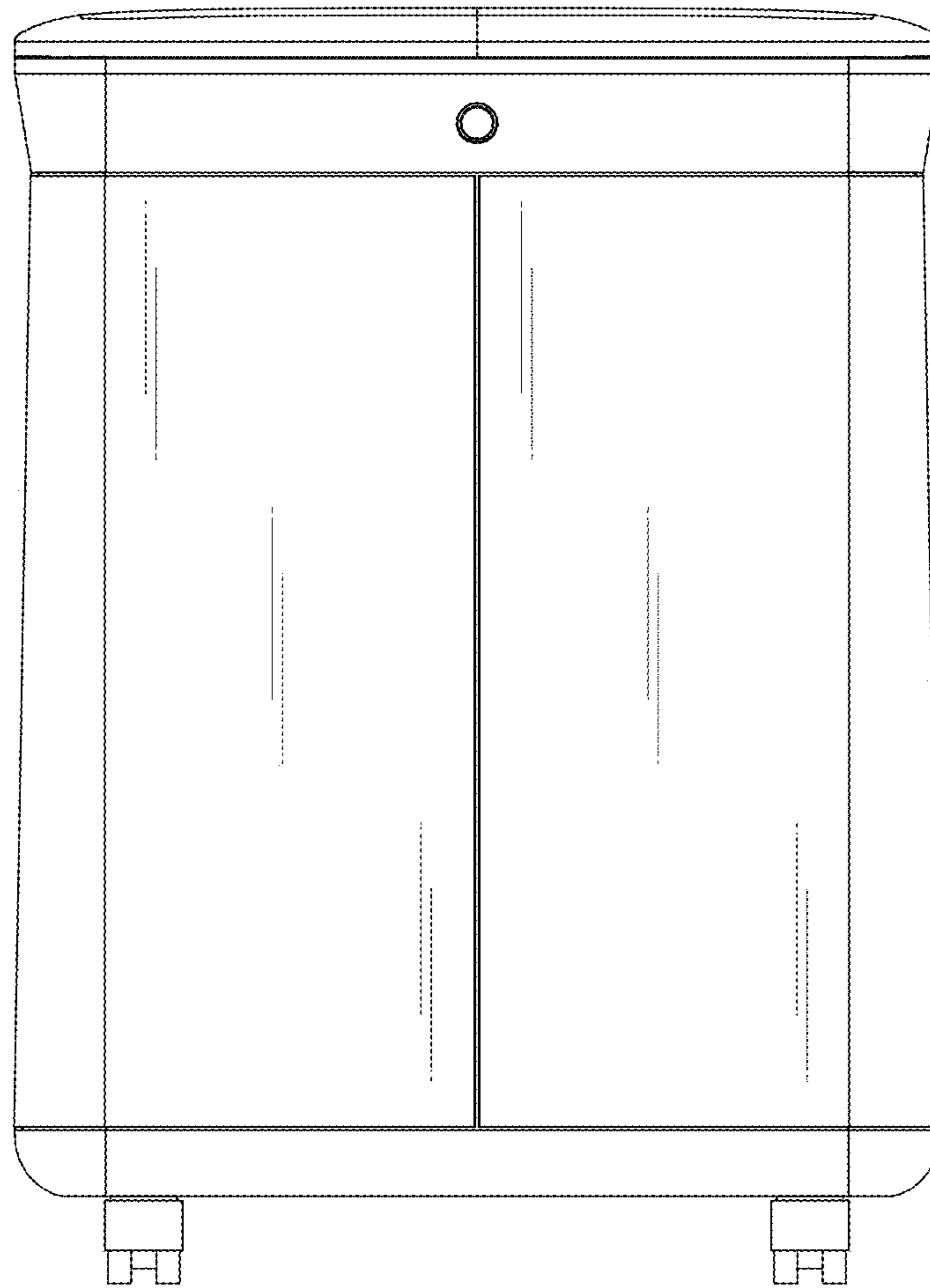


FIG. 2

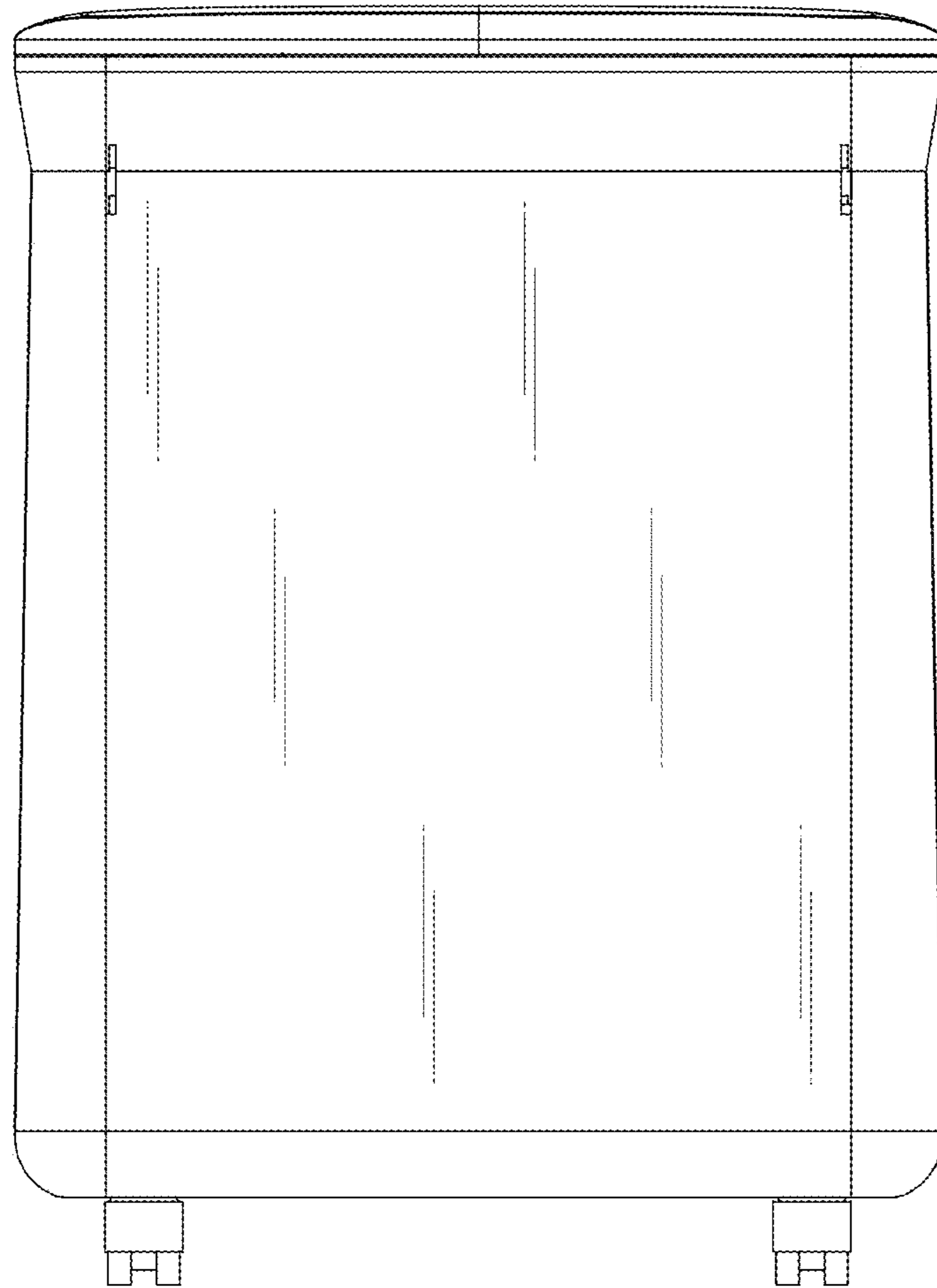


FIG. 3

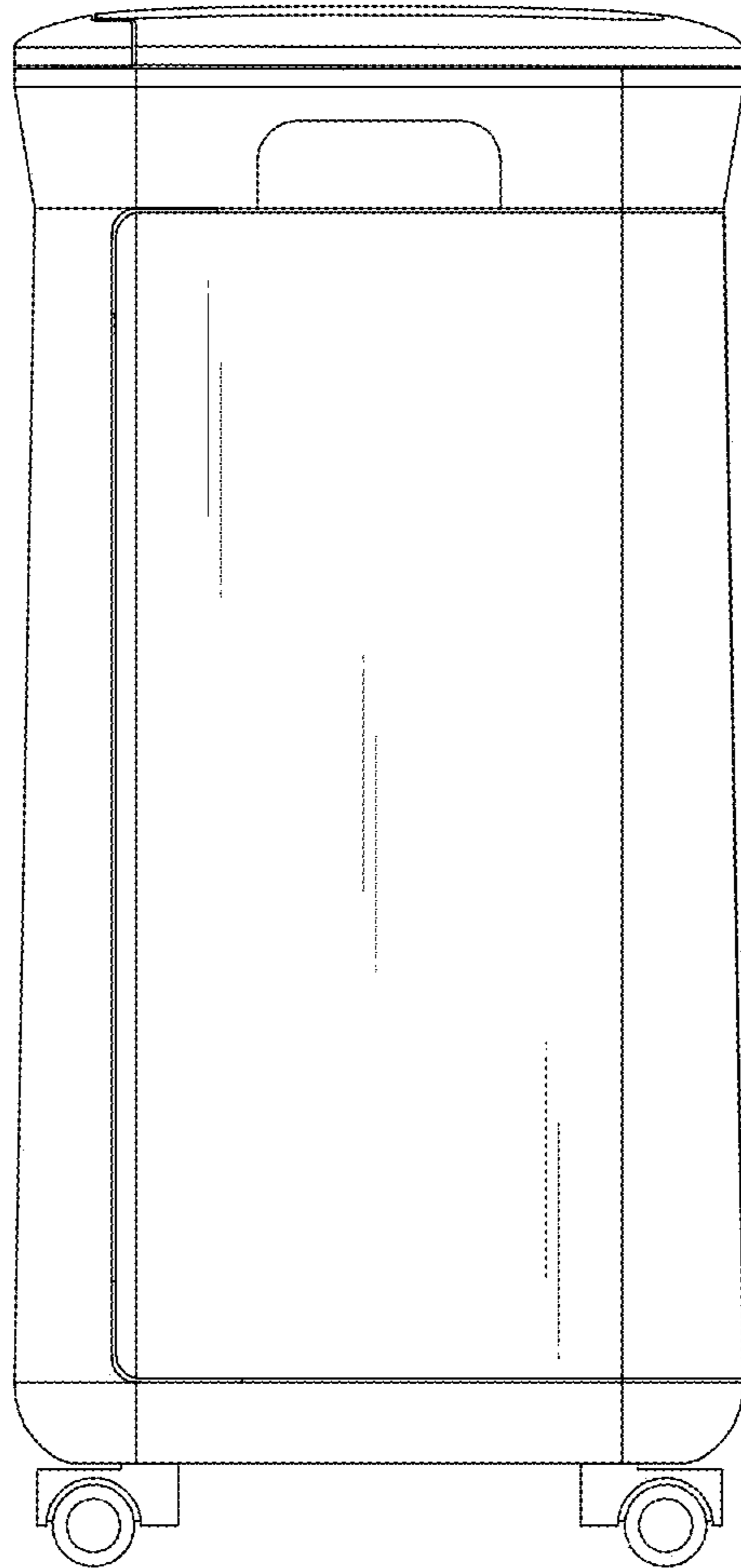


FIG. 4

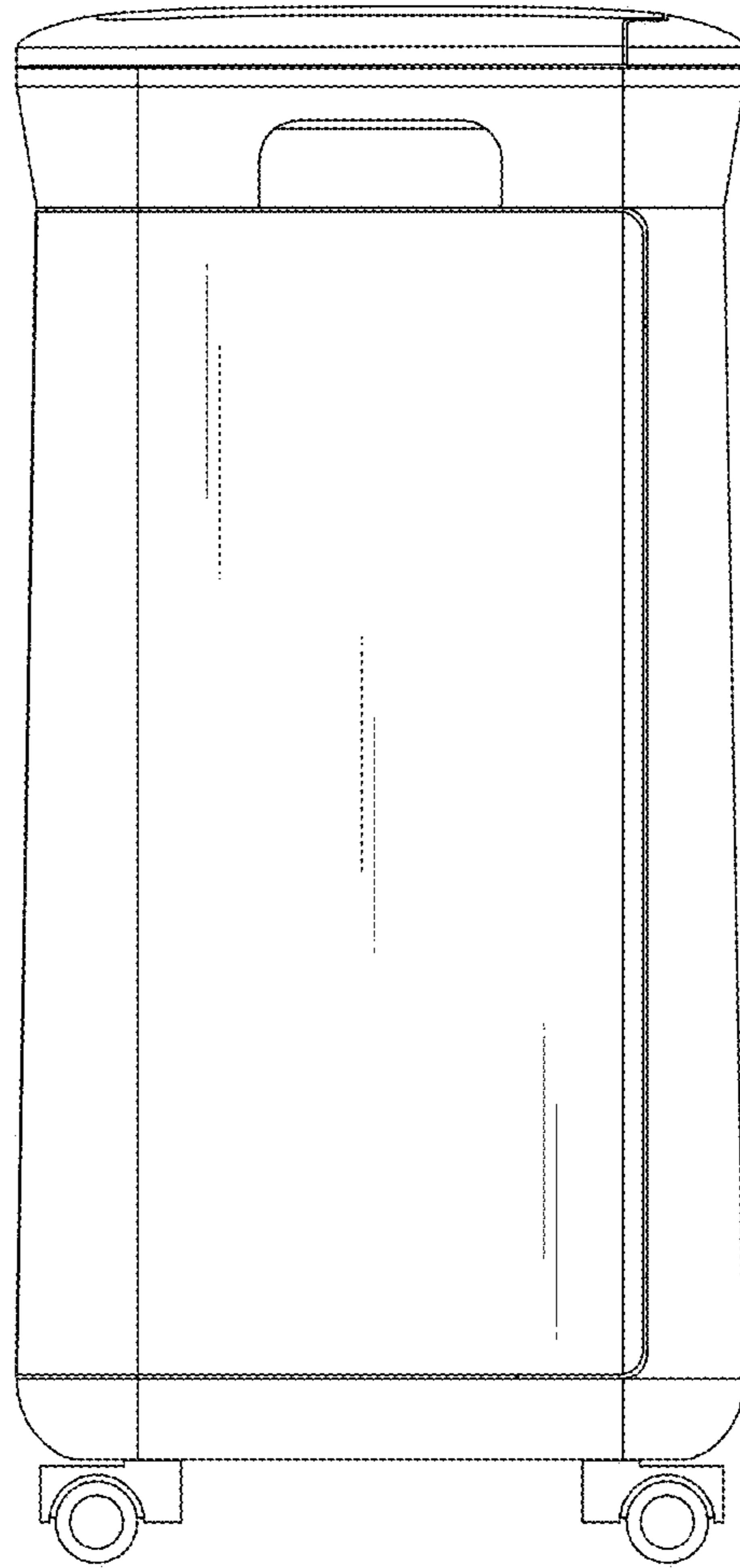


FIG. 5

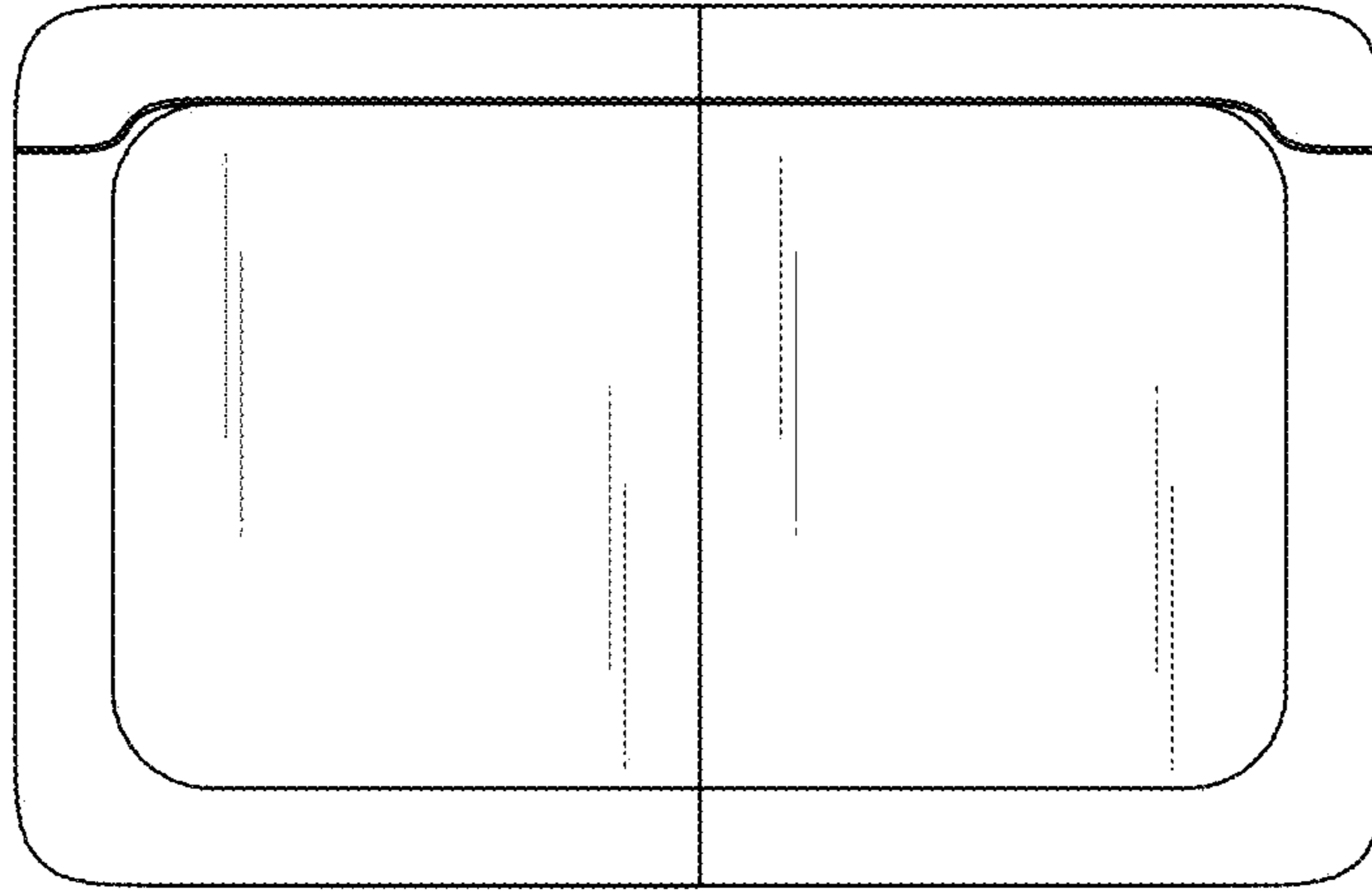


FIG. 6

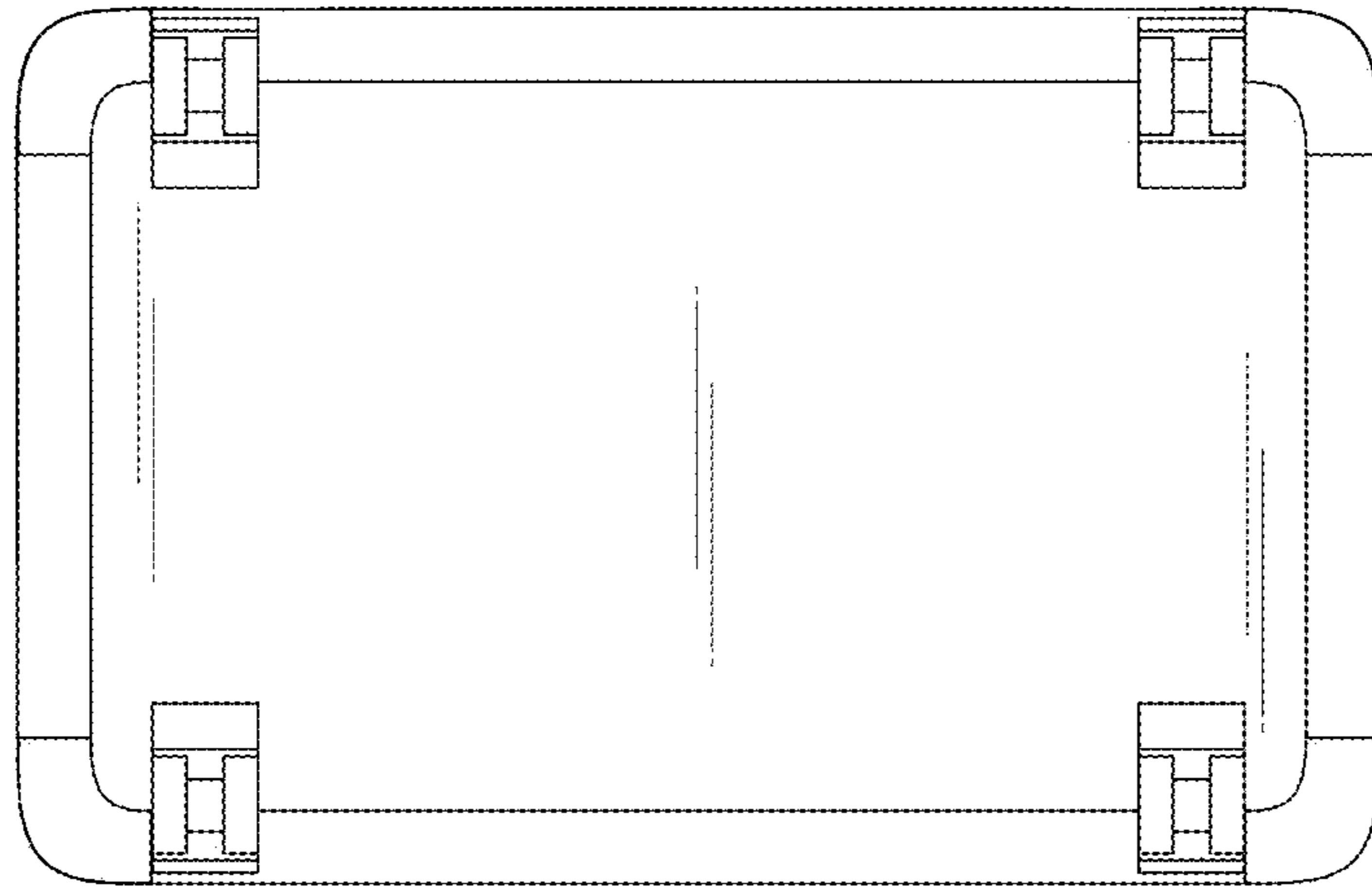


FIG. 7