



US00D721811S

(12) **United States Design Patent**
Zakhem et al.

(10) **Patent No.:** **US D721,811 S**
(45) **Date of Patent:** **** Jan. 27, 2015**

(54) **ORTHODONTIC BRACKET**
(71) Applicant: **RMO, Inc.**, Denver, CO (US)
(72) Inventors: **Antoun Halim Zakhem**, Highlands Ranch, CO (US); **Leon W. Laub**, Fort Collins, CO (US); **Martin Randolph**, Littleton, CO (US); **Jeffrey Allen Smith**, Denver, CO (US); **Nam Trinh**, Highland Ranch, CO (US)

(73) Assignee: **RMO, Inc.**, Denver, CO (US)

(**) Term: **14 Years**

(21) Appl. No.: **29/471,219**

(22) Filed: **Oct. 29, 2013**

(51) **LOC (10) Cl.** **24-99**

(52) **U.S. Cl.**
USPC **D24/180**

(58) **Field of Classification Search**
USPC D24/176-182; 433/8-18
See application file for complete search history.

(56) **References Cited**

U.S. PATENT DOCUMENTS

1,890,487 A	12/1932	Angle
3,028,671 A	4/1962	Berger
3,391,461 A	7/1968	Johnson
3,435,527 A	4/1969	Kesling
3,494,034 A	2/1970	Kesling
3,496,637 A	2/1970	Etengoff
3,504,438 A	4/1970	Wittman et al.
3,526,961 A	9/1970	Kesling
3,765,091 A	10/1973	Northcutt
3,838,514 A	10/1974	Polak
3,854,207 A	12/1974	Wildman
3,874,080 A	4/1975	Wallshein
3,922,787 A	12/1975	Fischer et al.
3,930,311 A	1/1976	Andrews
3,964,156 A	6/1976	Williams et al.
3,969,821 A	7/1976	Lee, Jr. et al.

4,028,809 A	6/1977	Wallshein
4,063,360 A	12/1977	Waller
4,094,068 A	6/1978	Schinhammer
4,103,423 A	8/1978	Kessel
4,134,208 A	1/1979	Pearlman
4,165,561 A	8/1979	Miller et al.
4,172,999 A	10/1979	Leidich
4,193,195 A	3/1980	Merkel et al.

(Continued)

FOREIGN PATENT DOCUMENTS

DE	2534368	2/1977
DE	2903768	8/1980

(Continued)

OTHER PUBLICATIONS

“Brinellium—A Harder, Stronger, and More Wettable Form of Aluminum Oxide,” Technical Advances, Materials Technology, Mar./Apr. 1993, vol. 8(3/4), pp. 44-45.

(Continued)

Primary Examiner — Wan Laymon

(74) *Attorney, Agent, or Firm* — Sheridan Ross P.C.

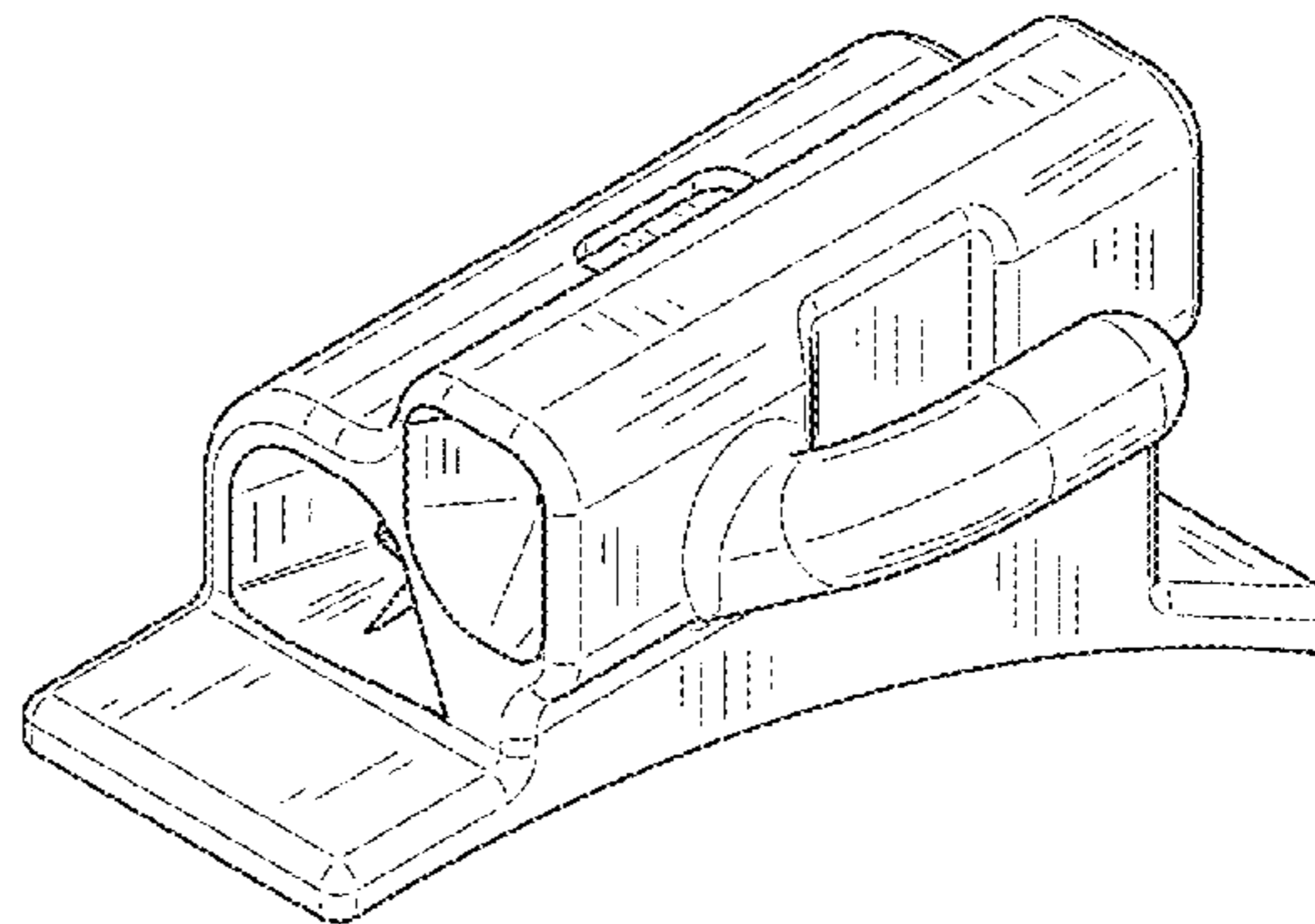
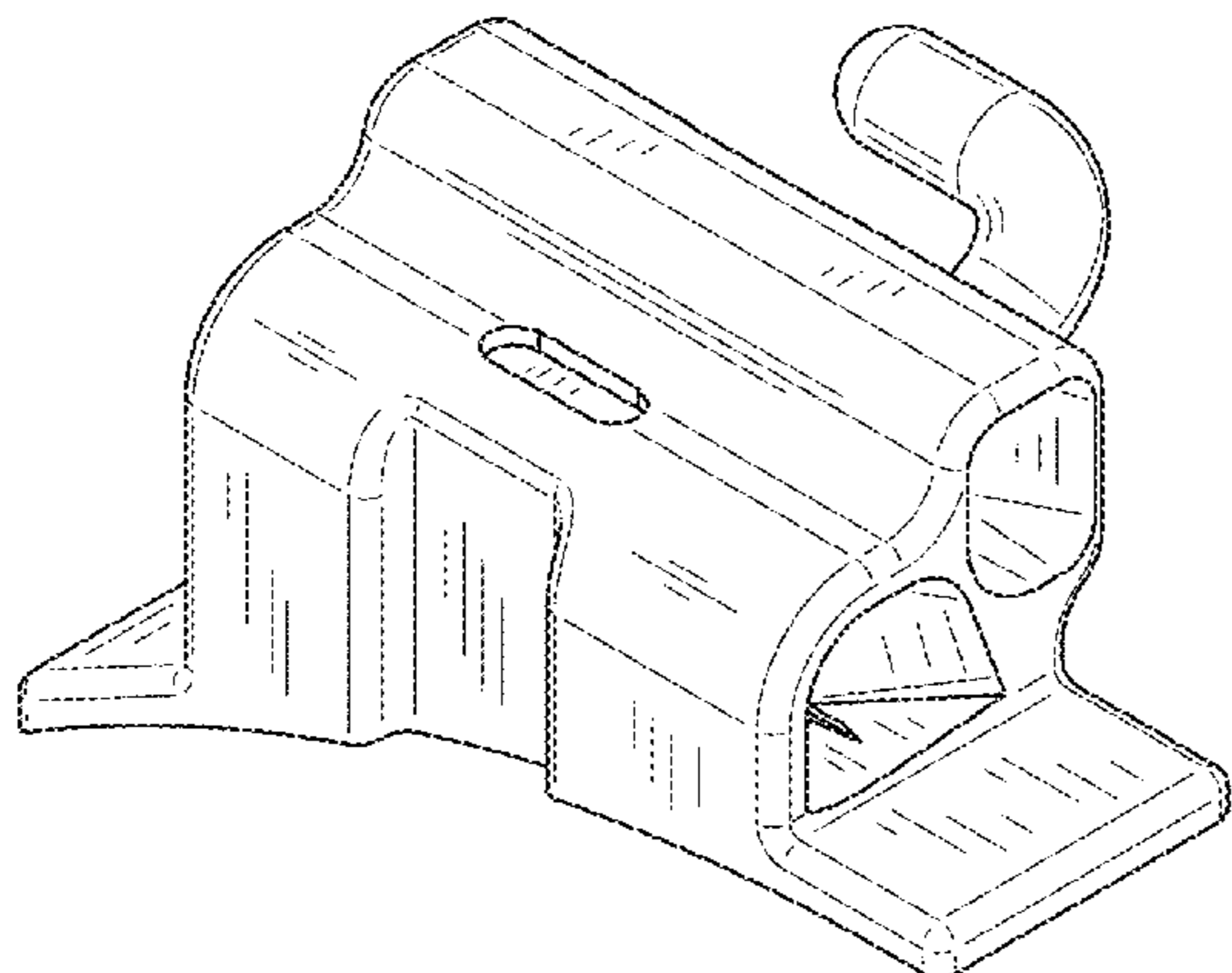
(57) **CLAIM**

The ornamental design for an orthodontic bracket, as shown and described.

DESCRIPTION

FIG. 1 is a front perspective view of the orthodontic bracket showing the new design;
FIG. 2 is a rear perspective view thereof;
FIG. 3 is a right elevation view thereof;
FIG. 4 is a left elevation view thereof;
FIG. 5 is a rear elevation view thereof;
FIG. 6 is a front elevation view thereof;
FIG. 7 is a top plan view thereof; and,
FIG. 8 is a bottom plan view thereof.

1 Claim, 4 Drawing Sheets



(56)

References Cited

U.S. PATENT DOCUMENTS

4,197,642 A	4/1980	Wallshein	5,127,828 A	7/1992	Suyama
4,219,617 A	8/1980	Wallshein	5,133,740 A	7/1992	Kussick
D256,950 S	9/1980	Sable	5,145,365 A	9/1992	Farzin-Nia et al.
4,242,085 A	12/1980	Wallshein	5,151,028 A	9/1992	Snead
4,243,386 A	1/1981	Kawaguchi	5,154,607 A	10/1992	Hanson
4,260,375 A	4/1981	Wallshein	5,158,452 A	10/1992	Franseen et al.
4,299,569 A	11/1981	Frantz	5,160,261 A	11/1992	Peterson
4,302,532 A	11/1981	Wallshein	5,161,969 A	11/1992	Pospisil et al.
4,322,206 A	3/1982	Reynolds	D331,975 S	12/1992	Pospisil
4,354,834 A	10/1982	Wilson	5,203,804 A	4/1993	Nikutowski et al.
4,386,908 A	6/1983	Kurz	5,226,814 A	7/1993	Allen
4,415,330 A	11/1983	Daisley et al.	5,230,620 A	7/1993	Watanabe
4,419,078 A	12/1983	Pletcher	5,232,361 A	8/1993	Sachdeva et al.
4,430,061 A	2/1984	Webb et al.	5,238,402 A	8/1993	Rohlcke et al.
4,443,190 A	4/1984	Kurz	5,242,299 A	9/1993	Yoshida
4,478,577 A	10/1984	Warren, Jr.	D340,523 S	10/1993	Barngrover
4,487,580 A	12/1984	Ridgeway	5,252,066 A	10/1993	Fairhurst
4,498,867 A	2/1985	Kesling	5,254,002 A	10/1993	Reher et al.
4,527,975 A	7/1985	Ghafari et al.	5,256,062 A	10/1993	Griott
4,529,382 A	7/1985	Creekmore	5,267,854 A	12/1993	Schmitt
4,531,911 A	7/1985	Creekmore	5,267,855 A	12/1993	Tuneberg
4,531,991 A	7/1985	Ziemek et al.	5,269,680 A	12/1993	Kawaguchi
4,536,154 A	8/1985	Garton, Jr. et al.	5,277,581 A	1/1994	Peterson
4,544,353 A	10/1985	Maurer et al.	5,282,743 A	2/1994	Miura
4,545,760 A	10/1985	Forster	5,288,229 A	2/1994	Huff et al.
4,582,487 A	4/1986	Creekmore	5,292,248 A	3/1994	Schultz
4,604,057 A	8/1986	Viglietti	5,295,823 A	3/1994	Farzin-Nia
4,626,209 A	12/1986	Tsai et al.	5,299,934 A	4/1994	Suyama
4,639,218 A	1/1987	Jones et al.	5,302,117 A	4/1994	Kraut et al.
4,659,309 A	4/1987	Merkel	5,302,121 A	4/1994	Gagin
4,661,059 A	4/1987	Kanno	5,318,440 A	6/1994	Adam et al.
D290,040 S	5/1987	Kelly	5,320,525 A	6/1994	Forster
4,669,981 A	6/1987	Kurz	5,320,526 A	6/1994	Tuneberg
4,681,538 A	7/1987	DeLuca et al.	5,322,435 A	6/1994	Pletcher
D291,919 S	9/1987	Reynolds	5,362,232 A	11/1994	Franseen et al.
4,712,999 A	12/1987	Rosenberg	5,362,233 A	11/1994	Thompson
4,717,341 A	1/1988	Goldberg et al.	5,374,187 A *	12/1994	Vashi 433/8
4,735,569 A	4/1988	Munk	5,376,002 A	12/1994	Andreiko
4,752,221 A	6/1988	Hanson et al.	D358,649 S	5/1995	Moschik
4,773,853 A	9/1988	Kussick	D358,650 S	5/1995	Moschik
4,781,334 A	11/1988	Derichs	D359,776 S	6/1995	Hilgers
4,781,582 A	11/1988	Kesling	5,425,640 A	6/1995	Scharf
4,793,804 A	12/1988	Schudy	5,441,408 A	8/1995	Moschik
4,799,882 A	1/1989	Kesling	5,441,409 A	8/1995	Tuneberg
4,819,316 A	4/1989	Rossini et al.	5,443,384 A	8/1995	Franseen et al.
4,820,151 A	4/1989	Pospisil	5,454,716 A	10/1995	Banerjee et al.
4,838,786 A	6/1989	Reher et al.	5,456,599 A	10/1995	Hanson
4,842,512 A	6/1989	Kesling	5,470,228 A	11/1995	Franseen et al.
4,854,866 A	8/1989	Wilson	5,522,725 A	6/1996	Jordan et al.
4,859,179 A	8/1989	Kesling	5,556,277 A	9/1996	Yawata et al.
4,902,224 A	2/1990	Collins et al.	5,588,833 A	12/1996	Risse
4,917,602 A	4/1990	Broussard	5,595,484 A	1/1997	Orikasa et al.
4,927,362 A	5/1990	Snead	5,597,302 A	1/1997	Pospisil et al.
4,936,773 A	6/1990	Kawaguchi	5,607,301 A	3/1997	Roman
4,954,080 A	9/1990	Kelly et al.	5,616,026 A	4/1997	Cash
4,963,092 A	10/1990	Snead	5,618,174 A	4/1997	Mors
4,975,052 A	12/1990	Spencer et al.	5,618,175 A	4/1997	Reher et al.
4,988,293 A	1/1991	Collins et al.	5,622,494 A	4/1997	Andreiko et al.
4,997,182 A	3/1991	Kussick	5,653,588 A	8/1997	Moschik
5,011,403 A	4/1991	Sadoun et al.	5,685,711 A	11/1997	Hanson
5,022,854 A	6/1991	Broughton et al.	5,692,898 A	12/1997	Orikasa et al.
5,030,089 A	7/1991	Kawaguchi	5,707,231 A	1/1998	Watt et al.
5,044,945 A	9/1991	Peterson	5,711,666 A	1/1998	Hanson
5,057,012 A	10/1991	Kesling	5,727,941 A	3/1998	Kesling
5,059,119 A	10/1991	Snead	5,729,768 A	3/1998	Fields et al.
5,062,794 A	11/1991	Miura	5,746,592 A	5/1998	Nezu et al.
5,066,225 A	11/1991	Forbes Jones et al.	5,746,594 A	5/1998	Jordan et al.
5,067,897 A	11/1991	Tuneberg	RE35,863 E	7/1998	Sachdeva et al.
D322,482 S	12/1991	Ianieri et al.	5,779,470 A	7/1998	Kussick
5,071,344 A	12/1991	Wong et al.	5,810,583 A	9/1998	Doyle
5,078,596 A	1/1992	Carberry et al.	5,816,801 A	10/1998	Farzin-Nia et al.
5,095,602 A	3/1992	Reher et al.	5,829,972 A	11/1998	Farzin-Nia
5,098,288 A	3/1992	Kesling	5,857,849 A	1/1999	Kurz
5,125,831 A	6/1992	Pospisil	5,871,350 A	2/1999	Clark et al.
5,125,832 A	6/1992	Kesling	5,885,073 A	3/1999	Kussick
			5,885,074 A	3/1999	Hanson
			5,890,891 A	4/1999	Doyle
			5,908,293 A	6/1999	Voudouris
			5,915,550 A	6/1999	Gartz

(56)

References Cited

U.S. PATENT DOCUMENTS

6,053,729 A 4/2000 Brehm et al.
 6,086,364 A 7/2000 Brunson
 6,109,916 A 8/2000 Wilcko et al.
 6,126,441 A 10/2000 Tenti
 6,190,165 B1 2/2001 Andreiko et al.
 6,193,508 B1 2/2001 Georgakis
 6,206,690 B1 3/2001 Vargas
 6,217,322 B1 4/2001 Kesling
 6,220,857 B1 4/2001 Abels
 6,227,849 B1 5/2001 Brehm et al.
 6,241,516 B1* 6/2001 Orikasa et al. 433/17
 6,264,469 B1 7/2001 Moschik
 6,280,185 B1 8/2001 Palmer et al.
 6,347,939 B2 2/2002 Abels
 6,394,798 B1 5/2002 Huff et al.
 6,428,314 B1 8/2002 Jones, Jr. et al.
 6,461,157 B1 10/2002 Kussick
 6,478,579 B1 11/2002 Brusse
 6,491,519 B1 12/2002 Clark et al.
 D478,172 S* 8/2003 Kesling et al. D24/180
 6,607,383 B2 8/2003 Abels et al.
 6,616,445 B2 9/2003 Abels et al.
 6,655,957 B2 12/2003 Abels et al.
 6,655,958 B2 12/2003 Abels et al.
 6,656,767 B1 12/2003 King et al.
 6,659,766 B2 12/2003 Abels et al.
 6,659,767 B2 12/2003 Abels et al.
 6,682,345 B2 1/2004 Kesling et al.
 6,695,612 B2 2/2004 Abels et al.
 6,705,862 B2 3/2004 Schultz
 6,709,268 B2 3/2004 Pospisil et al.
 6,733,285 B2* 5/2004 Puttler et al. 433/8
 6,733,286 B2 5/2004 Abels et al.
 6,776,613 B2 8/2004 Orikasa
 6,846,178 B2 1/2005 Freeman, Jr. et al.
 D504,950 S 5/2005 Lai et al.
 6,893,257 B2 5/2005 Kelly
 6,910,884 B2 6/2005 Kelly et al.
 6,913,459 B2 7/2005 Fukutomi
 7,025,591 B1 4/2006 Kesling
 7,033,171 B2 4/2006 Wilkerson
 7,192,274 B2 3/2007 Stadtmiller et al.
 7,210,927 B2 5/2007 Abels et al.
 7,234,935 B2 6/2007 Abels et al.
 7,481,651 B2 1/2009 Sernetz et al.
 D594,558 S* 6/2009 Verdouw et al. D24/180
 7,611,353 B2 11/2009 Sommer
 7,695,277 B1 4/2010 Stevens
 7,780,443 B2 8/2010 Hagelganz
 7,878,802 B2 2/2011 Hagelganz et al.
 7,909,603 B2 3/2011 Oda
 7,959,437 B2 6/2011 Zakhem
 8,033,824 B2 10/2011 Oda et al.
 D660,435 S 5/2012 Smith et al.
 D660,436 S 5/2012 Dupray
 D660,968 S 5/2012 Smith et al.
 8,251,697 B2* 8/2012 Smith et al. 433/17
 8,585,399 B2* 11/2013 Smith et al. 433/17
 2002/0110778 A1 8/2002 Abels et al.
 2002/0187452 A1 12/2002 Abels et al.
 2003/0049582 A1 3/2003 Abels et al.
 2005/0003320 A1 1/2005 Freeman et al.
 2005/0244777 A1 11/2005 Schultz
 2006/0046224 A1 3/2006 Sondhi et al.
 2006/0063123 A1 3/2006 Cleary et al.
 2006/0099544 A1 5/2006 Lai et al.
 2006/0099545 A1 5/2006 Lai et al.
 2006/0199137 A1 9/2006 Abels et al.
 2006/0228662 A1 10/2006 Lokar et al.
 2006/0228664 A1 10/2006 Castner et al.
 2006/0246392 A1 11/2006 Vigolo
 2006/0252002 A1 11/2006 Hanson
 2006/0257810 A1 11/2006 Maijer et al.
 2006/0263737 A1 11/2006 Oda
 2006/0269889 A1 11/2006 Voudouris

2007/0054231 A1 3/2007 Manemann et al.
 2007/0092849 A1 4/2007 Cosse
 2007/0166658 A1 7/2007 Voudouris
 2007/0207436 A1 9/2007 Tan et al.
 2007/0224569 A1 9/2007 Oda
 2007/0243497 A1 10/2007 Voudouris
 2007/0248926 A1 10/2007 Lai et al.
 2007/0264606 A1 11/2007 Muha
 2007/0281269 A1 12/2007 Forster
 2008/0070183 A1* 3/2008 Sondhi et al. 433/9
 2008/0081310 A1 4/2008 Smith et al.
 2008/0128297 A1 6/2008 Rose
 2008/0131831 A1 6/2008 Abels et al.
 2008/0160474 A1 7/2008 Wolf et al.
 2008/0182219 A1 7/2008 Spalty
 2008/0227047 A1 9/2008 Lowe et al.
 2008/0268398 A1 10/2008 Cantarella
 2009/0004617 A1 1/2009 Oda et al.
 2009/0004618 A1 1/2009 Oda et al.
 2009/0004619 A1 1/2009 Oda et al.
 2009/0042160 A1 2/2009 Ofir
 2009/0291404 A1 11/2009 Oda
 2009/0325118 A1 12/2009 Lewis et al.
 2010/0003632 A1 1/2010 Ruiz Diaz et al.
 2010/0055637 A1 3/2010 Rodriguez et al.
 2010/0062387 A1 3/2010 Hilliard
 2010/0129765 A1 5/2010 Mohr et al.
 2010/0151403 A1 6/2010 Tuneberg et al.
 2010/0159411 A1 6/2010 Oda
 2010/0178629 A1 7/2010 Oda et al.
 2010/0196839 A1 8/2010 Stevens
 2010/0196840 A1 8/2010 Lai et al.
 2010/0261131 A1 10/2010 Ruiz-Vela et al.
 2010/0279247 A1 11/2010 Kesling
 2010/0285420 A1 11/2010 Oda
 2010/0304321 A1 12/2010 Patel
 2011/0014583 A1 1/2011 Romano et al.
 2011/0020762 A1 1/2011 Kanomi et al.
 2011/0039224 A1 2/2011 Cosse
 2011/0076633 A1 3/2011 Bryant et al.
 2011/0081622 A1 4/2011 Mashouf
 2011/0123942 A1 5/2011 Rudman
 2014/0205961 A1* 7/2014 Dupray et al. 433/10

FOREIGN PATENT DOCUMENTS

DE 8903611 8/1990
 DE 69228472 10/1999
 EP 0317098 5/1989
 EP 0379668 8/1990
 EP 0389223 9/1990
 EP 0397533 11/1990
 EP 0577398 1/1994
 EP 0588961 3/1994
 EP 0875211 11/1998
 EP 1332727 8/2003
 EP 1359859 11/2003
 ES 2130174 7/1999
 FR 2497657 7/1982
 JP 64-25847 1/1989
 JP 01-160547 6/1989
 JP 02-147112 6/1990
 JP 03-21236 1/1991
 JP 2579431 2/1997
 JP 11-276504 10/1999
 WO WO 91/07925 6/1991
 WO WO 92/20296 11/1992
 WO WO 2004/039276 5/2004

OTHER PUBLICATIONS

“Direct Bond Tubes,” American Orthodontics, date unknown, p. 76.
 “Focus on Brackets,” Orthodontic Products, Mar. 2005, pp. 1-2.
 3M Unitek Corporation Catalog, 1990, pp. 1-1, 1-3, 3-7, Figs. A, B.
 Milewski, John V., “Efficient Use of Whiskers in the Reinforcement of Ceramics,” Advanced Ceramics, vol. 1(1), 1986, pp. 36-41.
 Ortho Organizers, Inc. Advertisement, “The Supreme™ Mini-Twin®,” Journal of Clinical Orthodontics, Sep. 1989, 3 pages.

(56)

References Cited

OTHER PUBLICATIONS

Ricketts, "Provocations and Perceptions in Cranio-Facial Orthopedics," RMO, Inc., Denver, CO, USA, 1989, cover and pp. 982-1021.
Official Action for U.S. Appl. No. 29/391,876 mailed Dec. 28, 2011, 10 pages.
Notice of Allowance for U.S. Appl. No. 29/391,876 mailed Apr. 4, 2012, 7 pages.

Notice of Allowance for U.S. Appl. No. 29/391,877 mailed Feb. 3, 2012, 8 pages.

Notice of Allowance for U.S. Appl. No. 29/391,894 mailed Feb. 2, 2012, 8 pages.

U.S. Appl. No. 10/821,699, filed Apr. 9, 2004.

U.S. Appl. No. 11/123,470, filed May 5, 2005.

U.S. Appl. No. 29/443,431, filed Jan. 17, 2013.

* cited by examiner

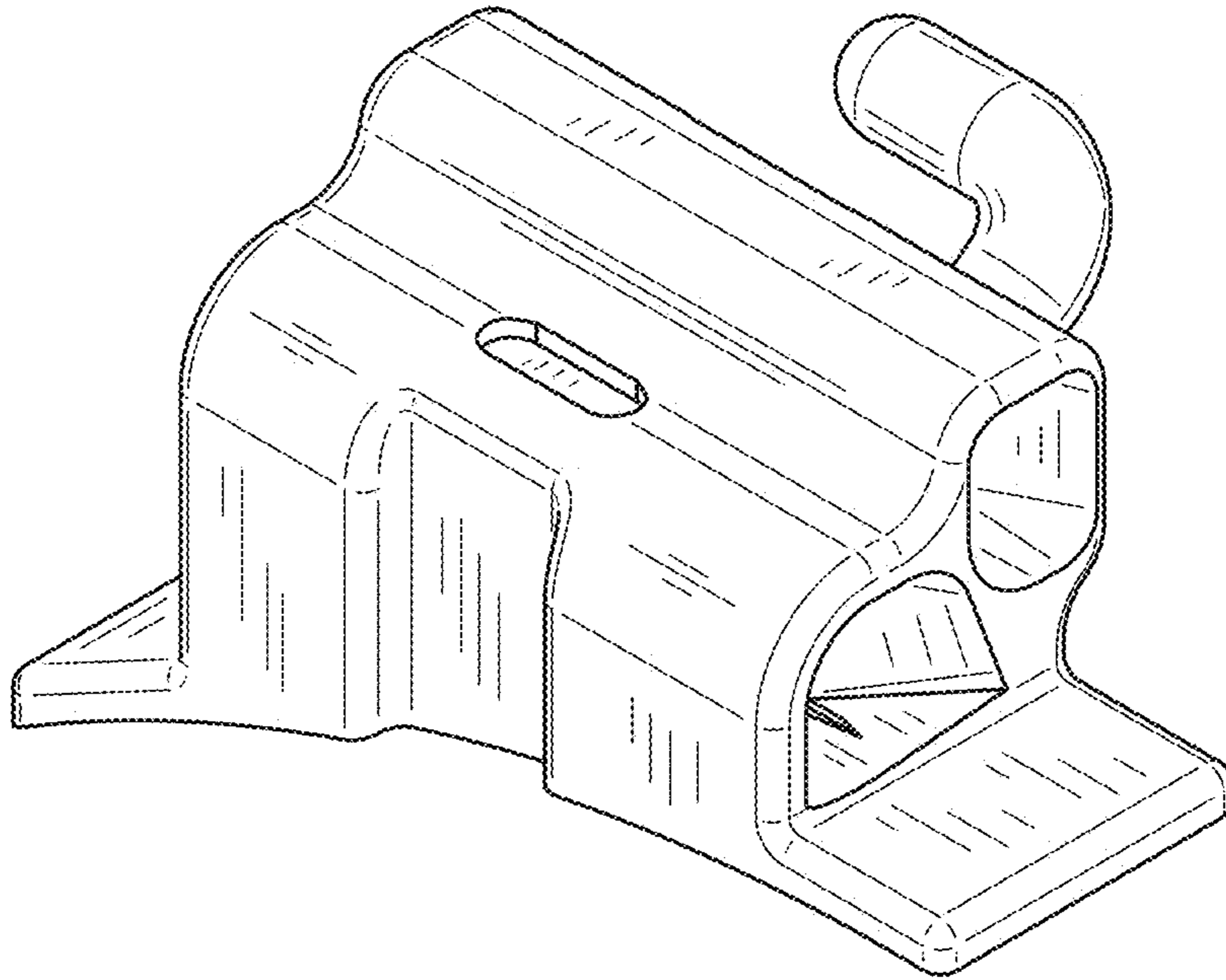


FIG. 1

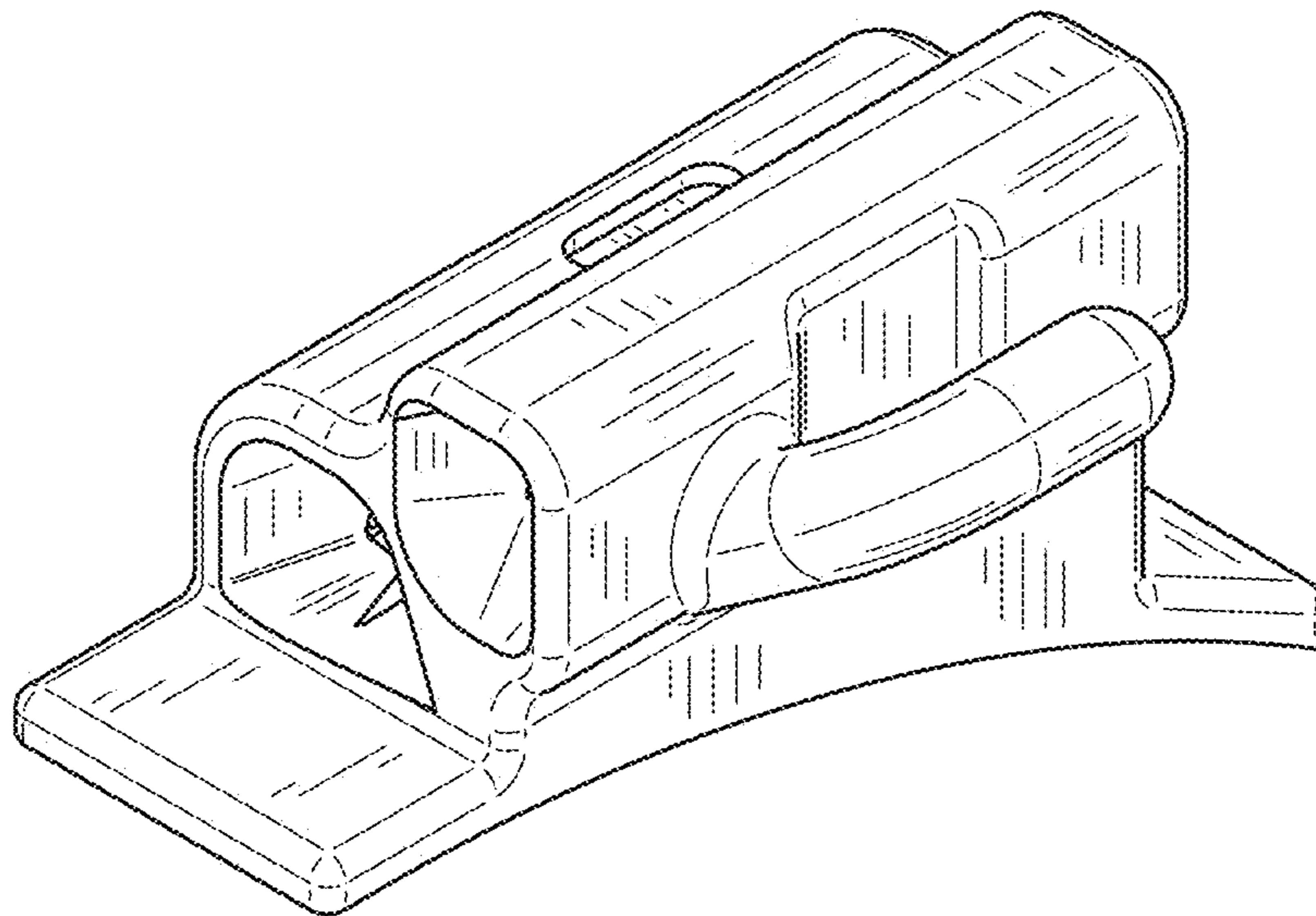


FIG. 2

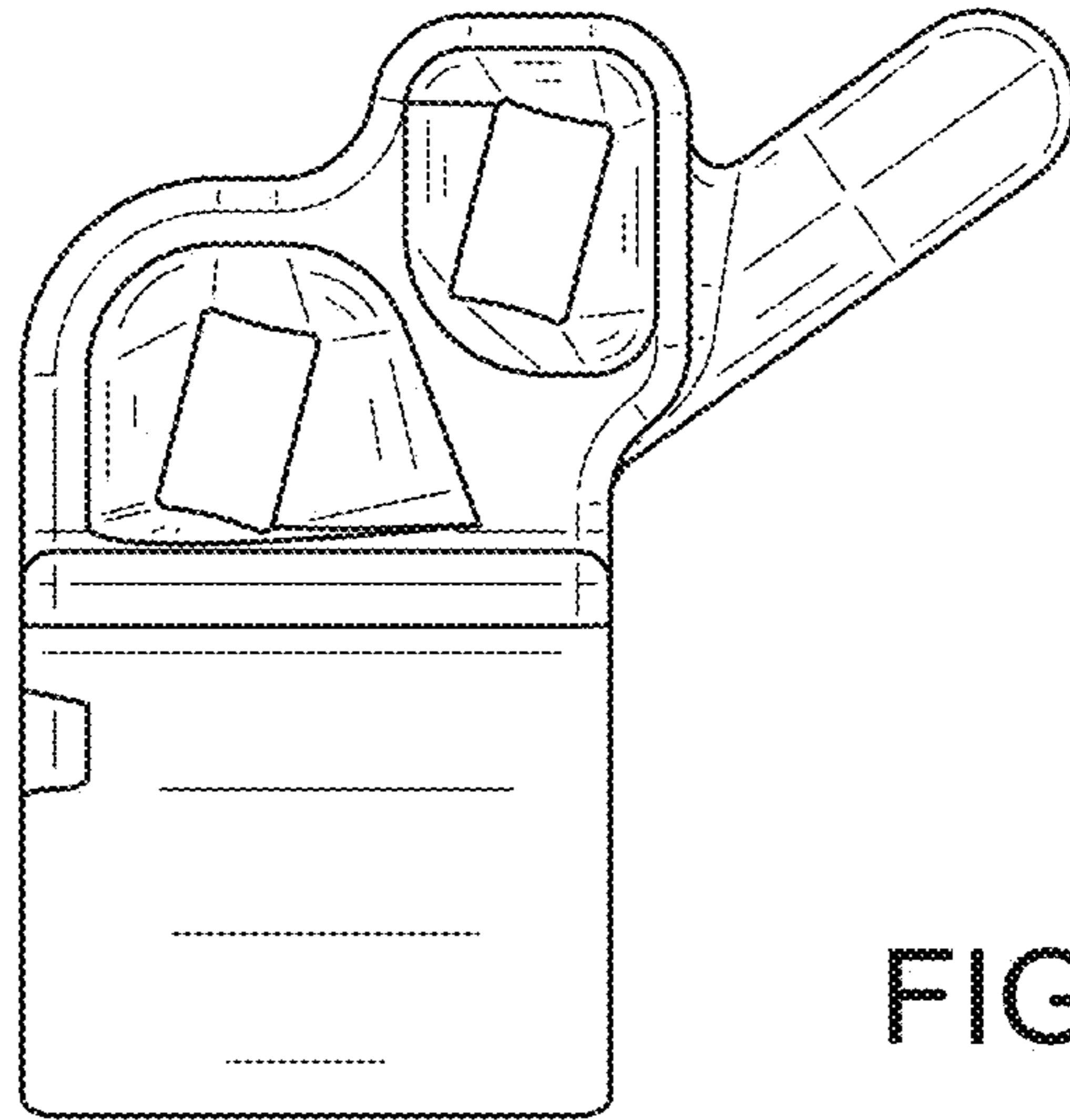


FIG.3

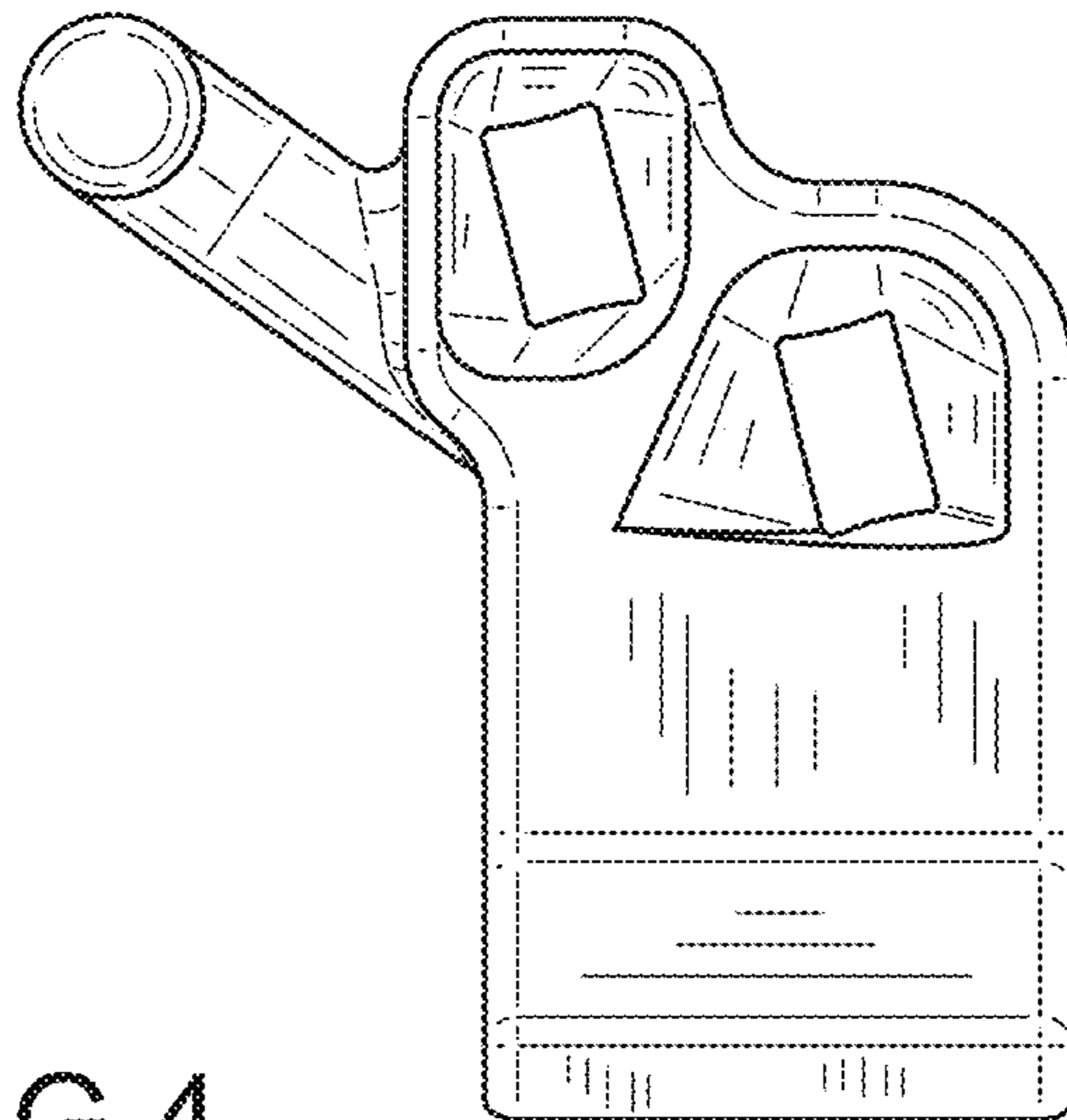


FIG.4

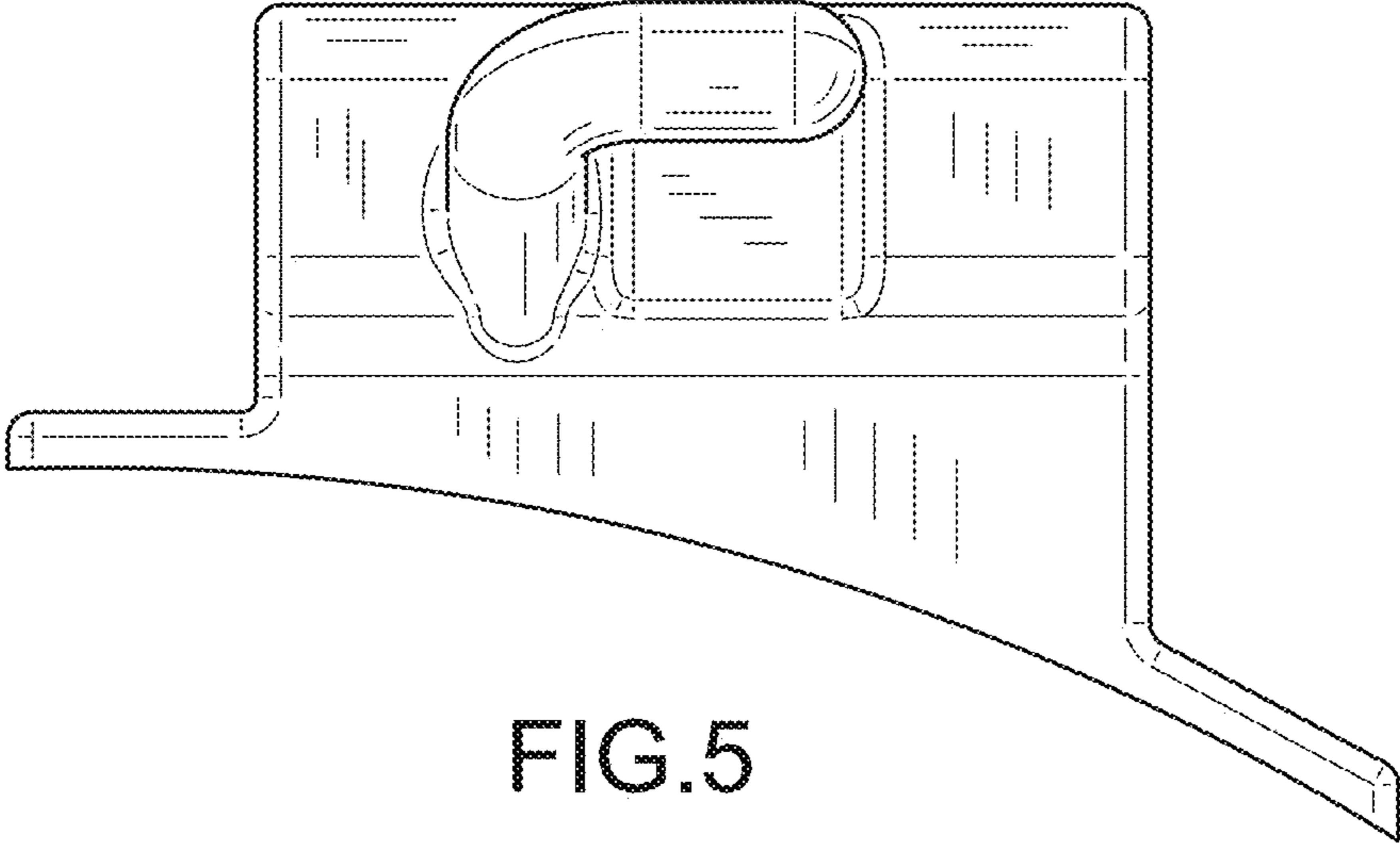


FIG. 5

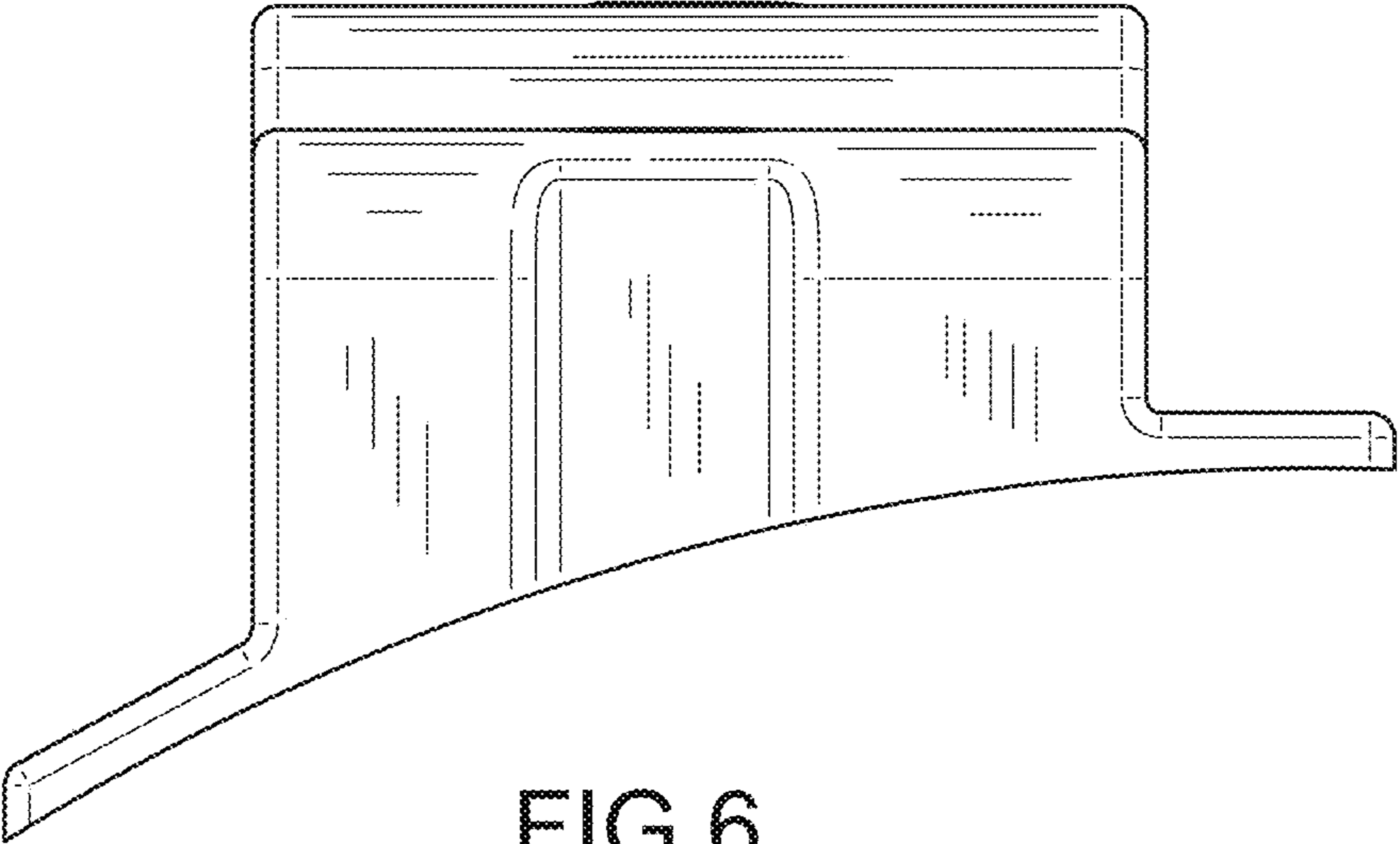


FIG. 6

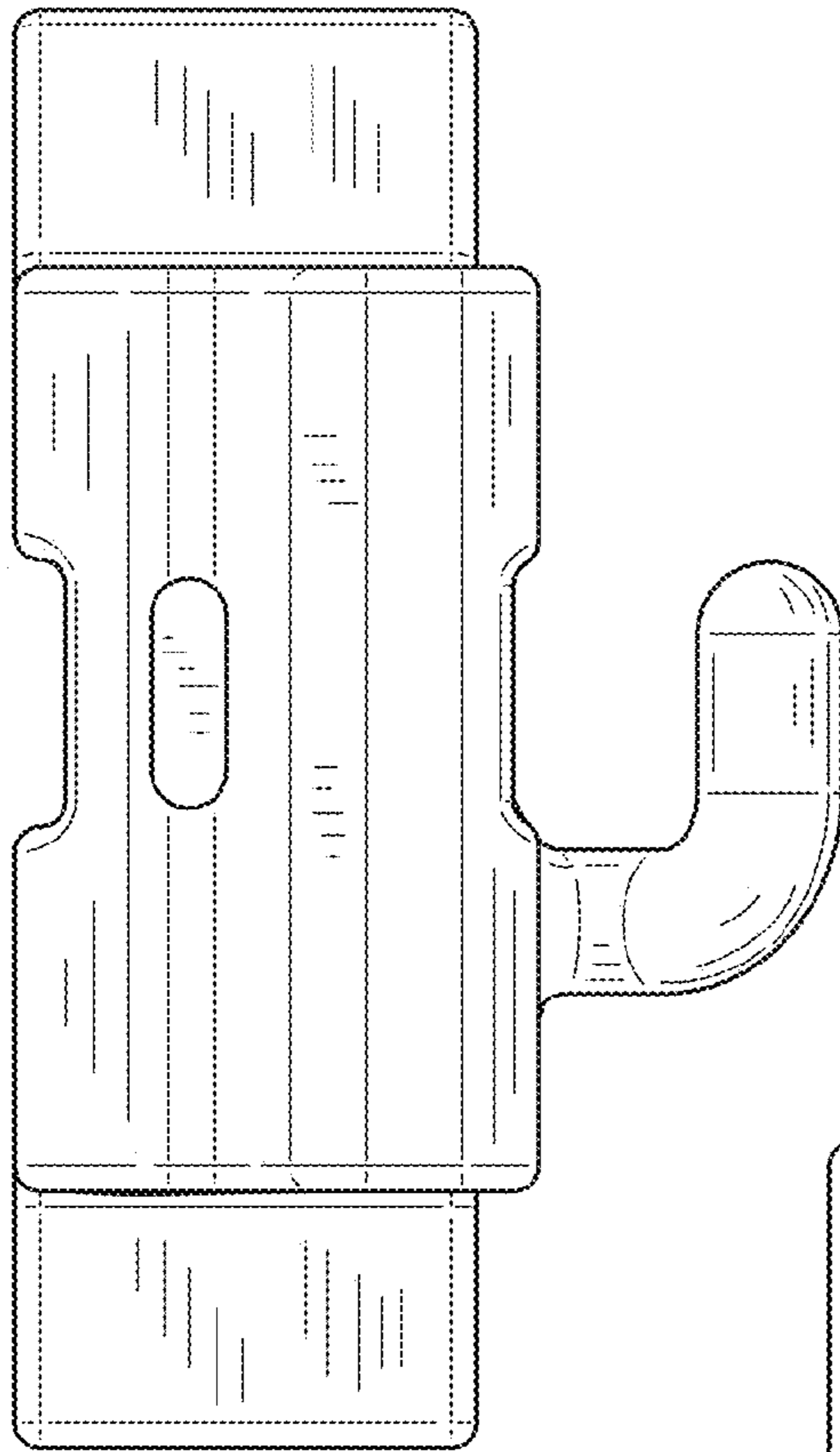


FIG. 7

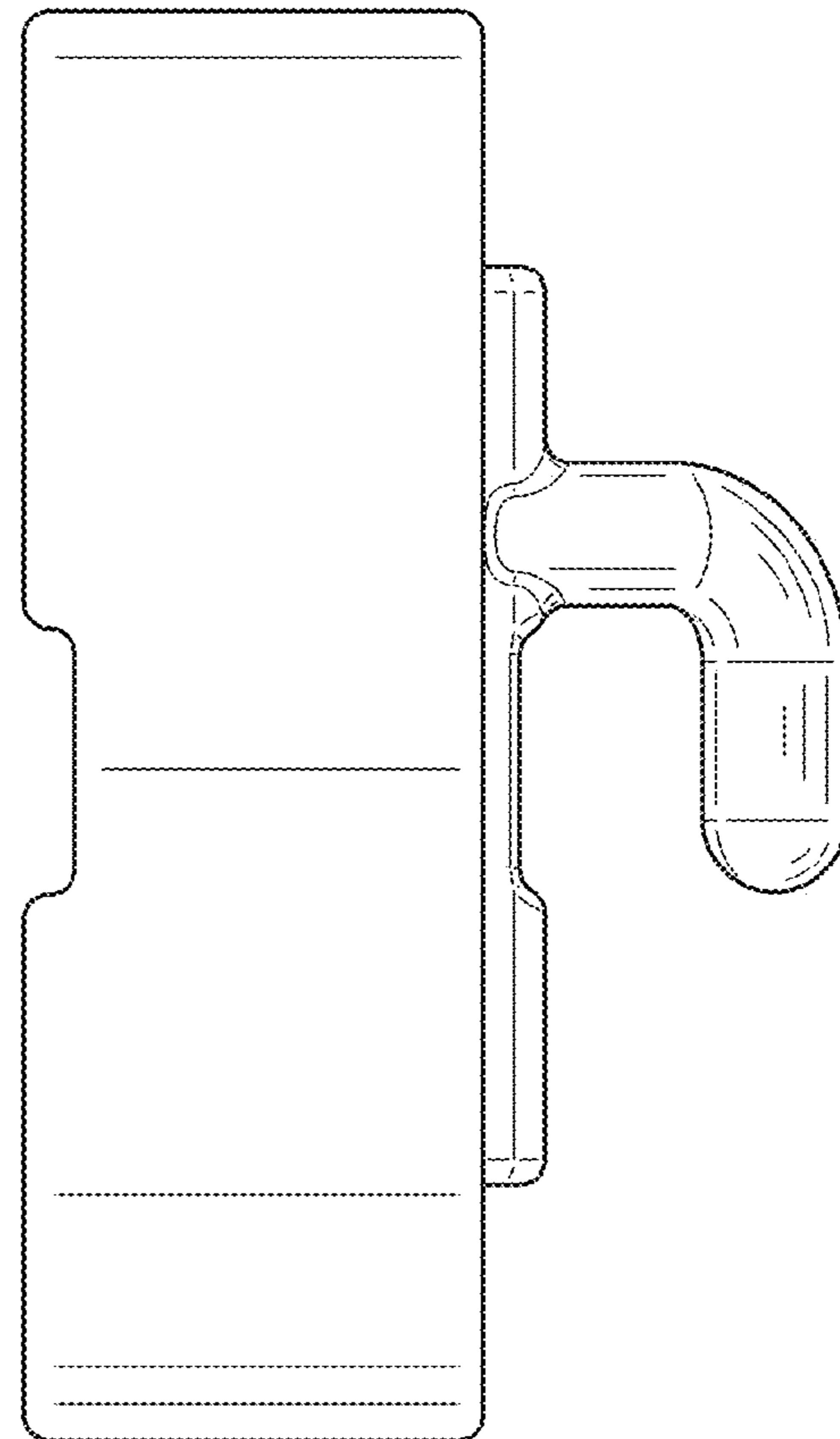


FIG. 8