



US00D721809S

(12) **United States Design Patent**
Andersin et al.

(10) **Patent No.:** **US D721,809 S**
(45) **Date of Patent:** **** Jan. 27, 2015**

(54) **DENTAL IMPLANT**

(75) Inventors: **Per Andersin**, Mölnlycke (SE); **Mattias Dahlström**, Billdal (SE); **Johan Holmström**, Kålleröd (SE)

(73) Assignee: **Astra Tech AB**, Molndal (SE)

(**) Term: **14 Years**

(21) Appl. No.: **29/406,192**

(22) Filed: **Nov. 10, 2011**

(30) **Foreign Application Priority Data**

May 13, 2011 (EM) 001276315

(51) **LOC (10) Cl.** **24-02**

(52) **U.S. Cl.**
USPC **D24/155**

(58) **Field of Classification Search**
USPC D24/155-156, 176; D8/387; D15/21,
D15/28; 433/172-174, 206-211; 623/17.16,
623/17.17, 11.11, 23.26, 23.27; 606/304,
606/74
See application file for complete search history.

(56) **References Cited**

U.S. PATENT DOCUMENTS

6,116,904	A	9/2000	Kirsch et al.	
6,227,859	B1	5/2001	Sutter	
6,332,777	B1	12/2001	Sutter	
7,104,797	B2	9/2006	Rassoli	
D565,181	S *	3/2008	Anitua Aldecoa	D24/156
D577,122	S *	9/2008	Aldecoa	D24/156
D583,945	S *	12/2008	Anitua Aldecoa	D24/156
D588,699	S *	3/2009	Aldecoa	D24/156
D588,700	S *	3/2009	Anitua Aldecoa	D24/156
D603,512	S *	11/2009	Emanuelli	D24/156
D603,513	S *	11/2009	Emanuelli	D24/156
D603,514	S *	11/2009	Emanuelli	D24/156

D604,851	S *	11/2009	Ishikawa	D24/156
D605,291	S *	12/2009	Ishikawa	D24/156
7,905,905	B2 *	3/2011	Cragg et al.	606/246
D665,910	S *	8/2012	Hung	D24/156
D666,295	S *	8/2012	Hung	D24/156
2005/0065525	A1	3/2005	Aringskog et al.	
2005/0136380	A1	6/2005	Niznick	
2005/0287496	A1	12/2005	Niznick	
2006/0172257	A1	8/2006	Niznick	
2009/0123890	A1	5/2009	Purga et al.	

FOREIGN PATENT DOCUMENTS

WO	WO 94/09717	A1	5/1994
WO	WO 01/28451	A1	4/2001
WO	WO 2005/058178	A2	6/2005
WO	WO 2005/065571	A1	7/2005
WO	WO 2009/149881	A1	12/2009

* cited by examiner

Primary Examiner — Ian Simmons

Assistant Examiner — Charles Hanson

(74) *Attorney, Agent, or Firm* — Birch, Stewart, Kolasch & Birch, LLP

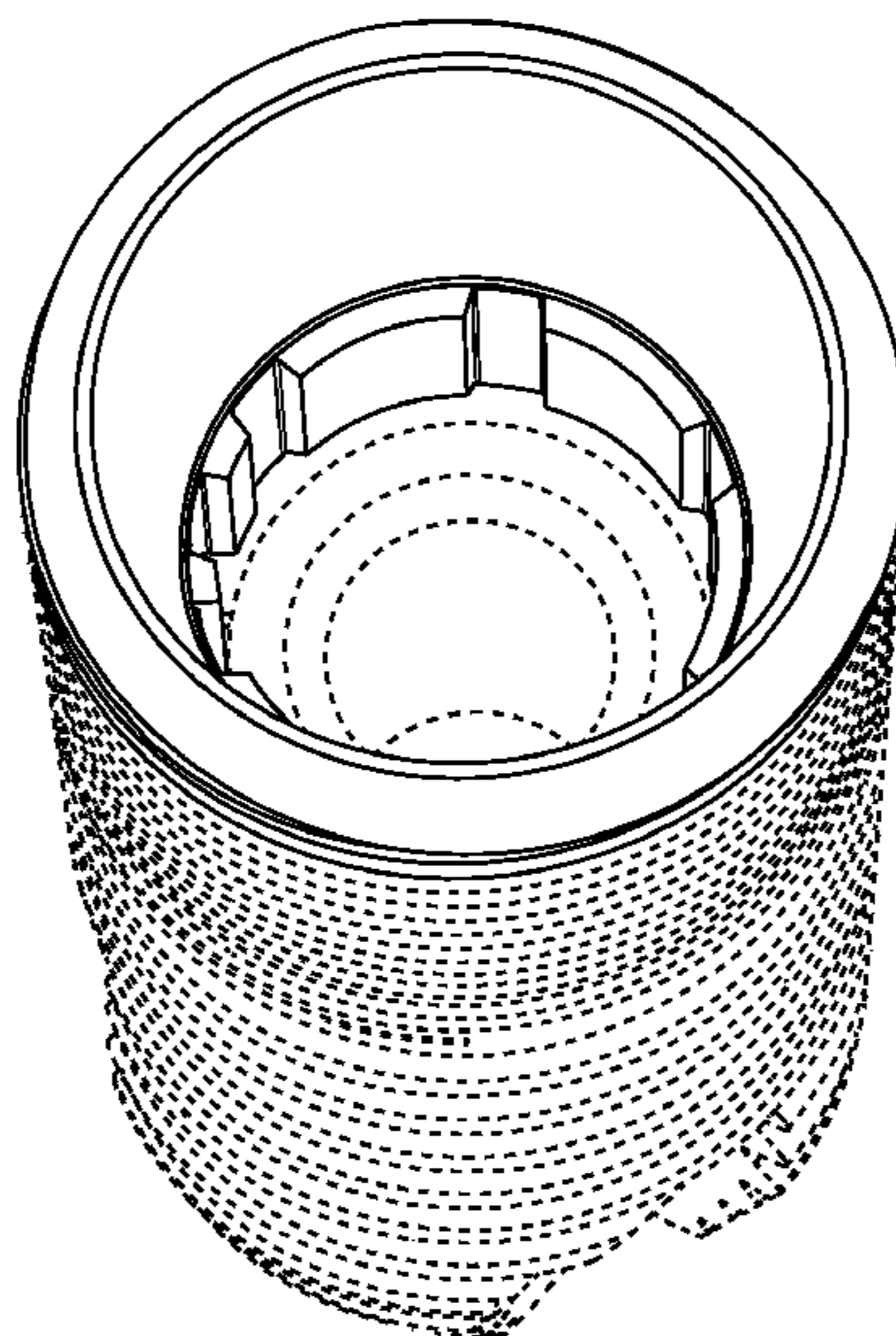
(57) **CLAIM**

The ornamental design for a dental implant, as shown and described.

DESCRIPTION

FIG. 1 is a perspective view of a dental implant showing my new design;
FIG. 2 is a perspective view thereof;
FIG. 3 is a front plan view thereof;
FIG. 4 is a rear elevational view thereof;
FIG. 5 is a bottom plan view thereof;
FIG. 6 is a right side elevational view thereof; and,
FIG. 7 is a top plan view thereof.
The parts shown with broken lines is not considered to be a part of the claimed design.

1 Claim, 5 Drawing Sheets



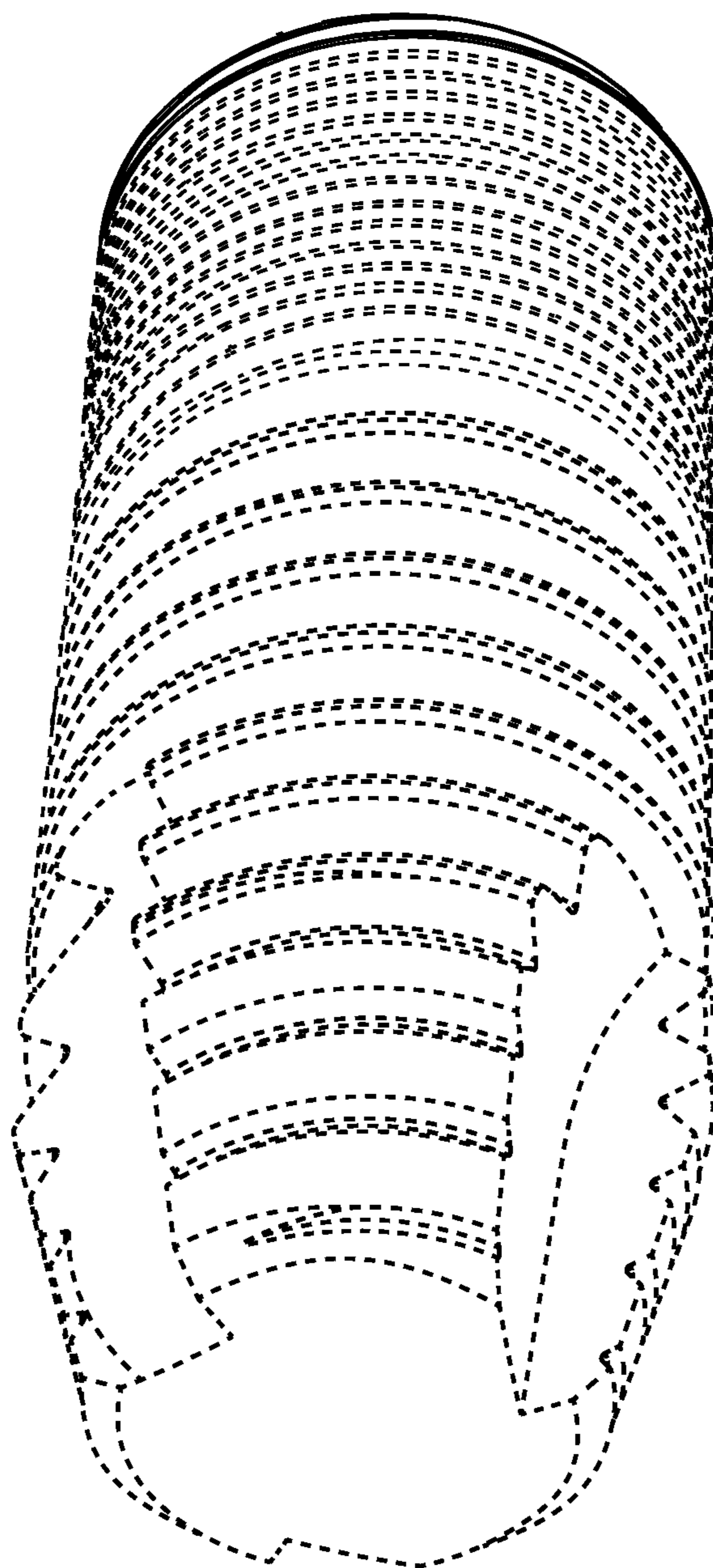


Figure 1

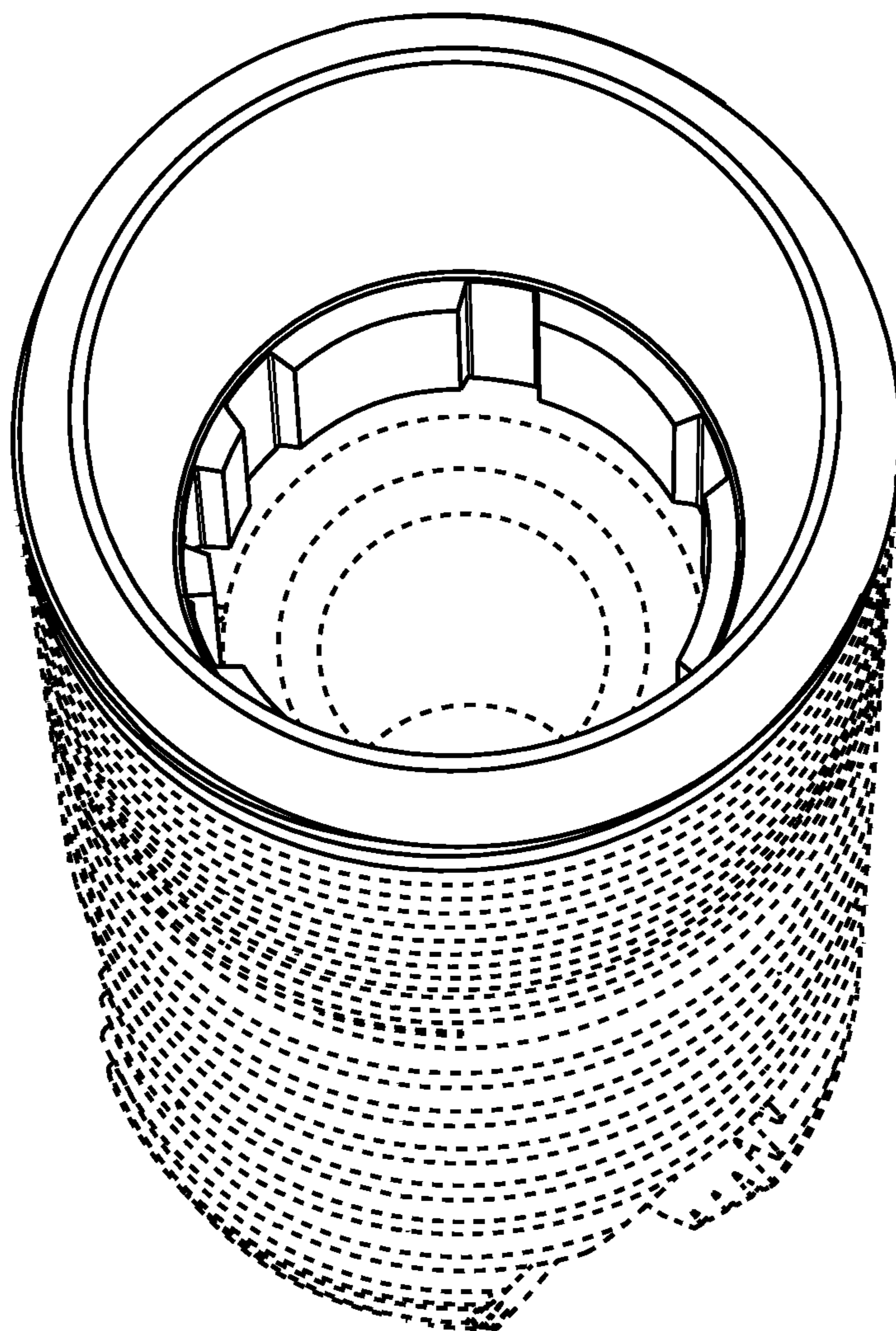


Figure 2

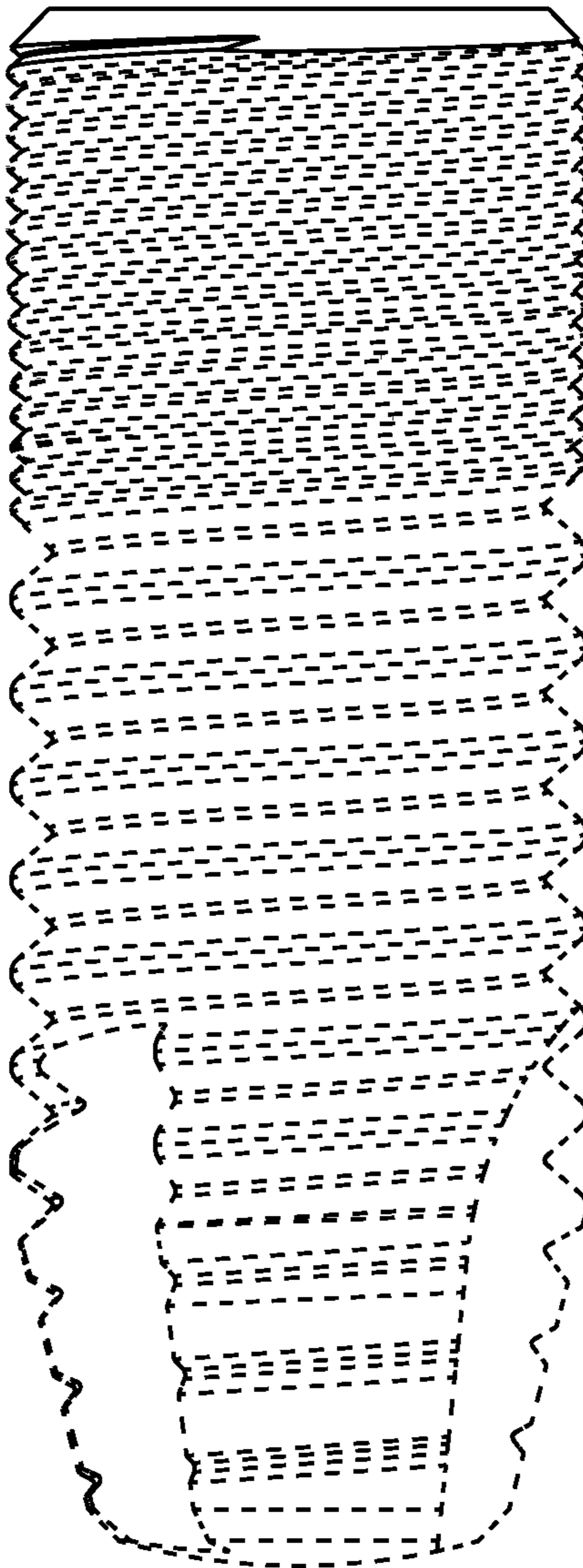


Figure 3

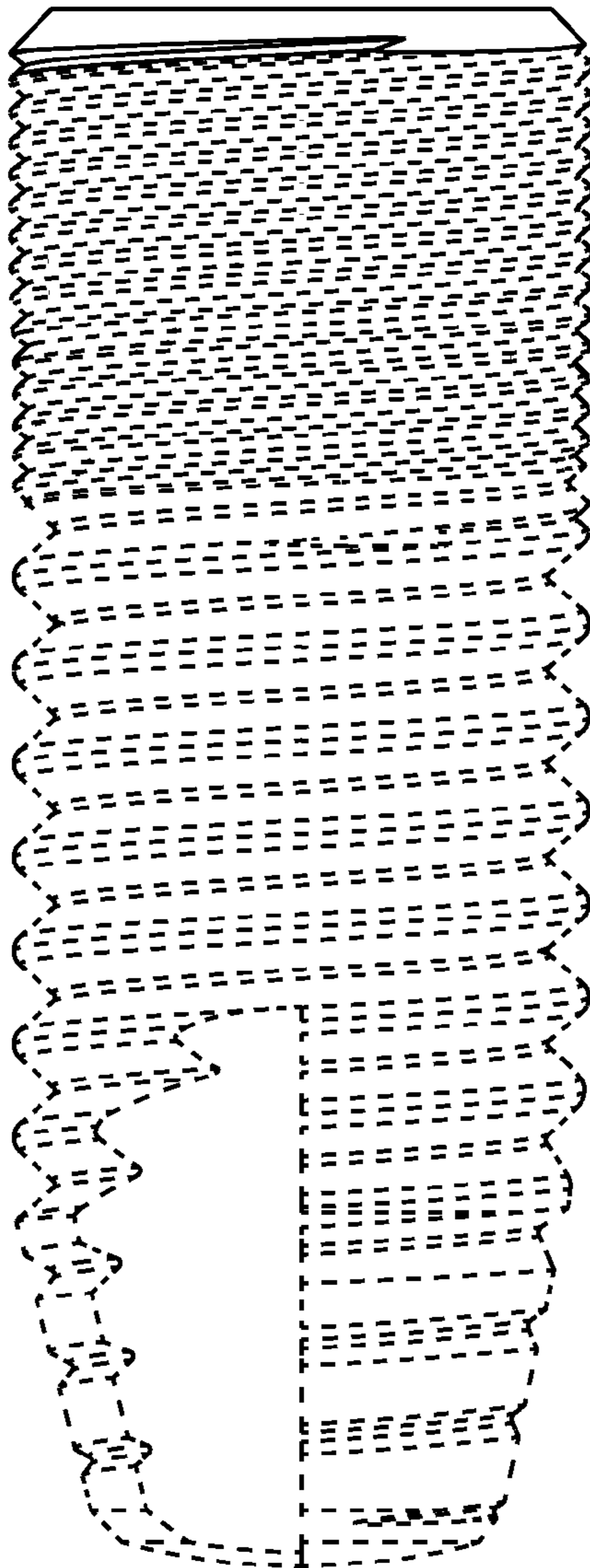


Figure 4

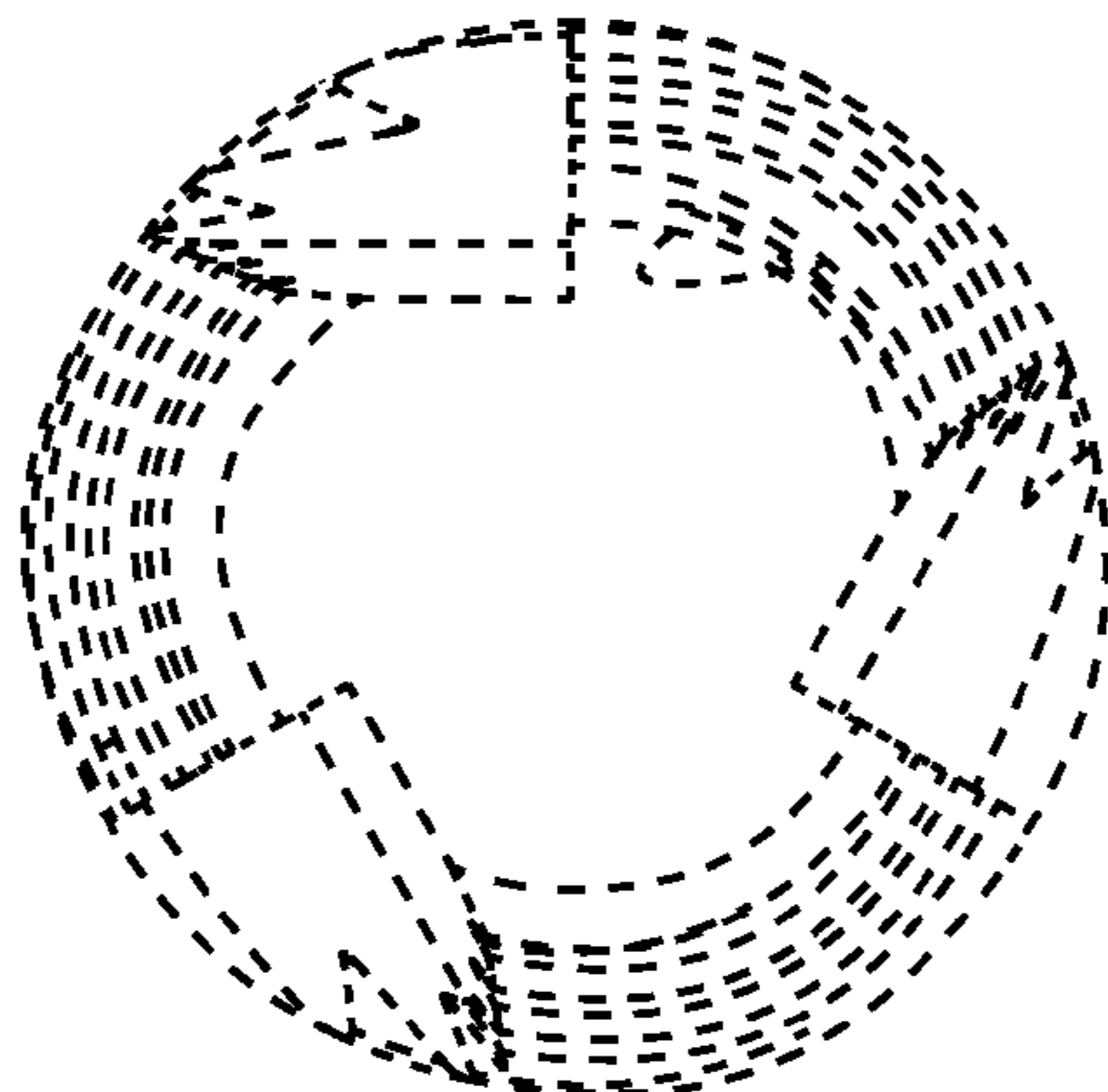


Figure 5

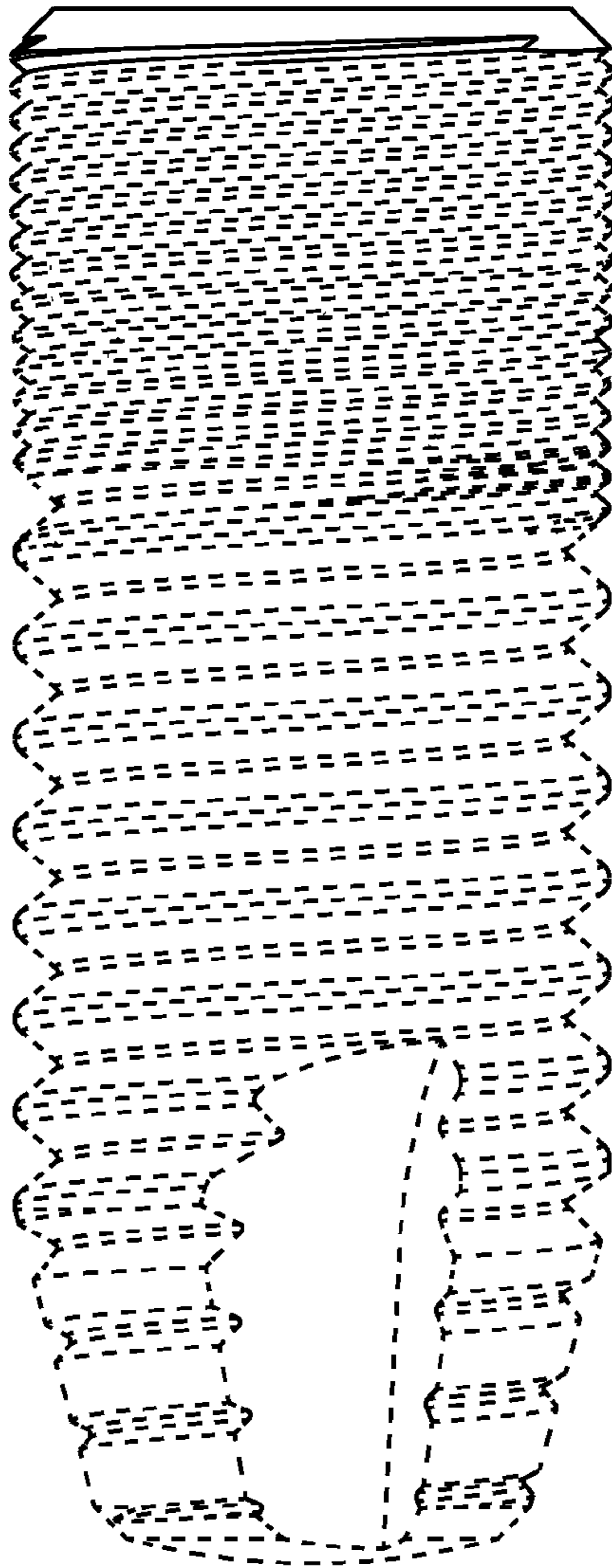


Figure 6

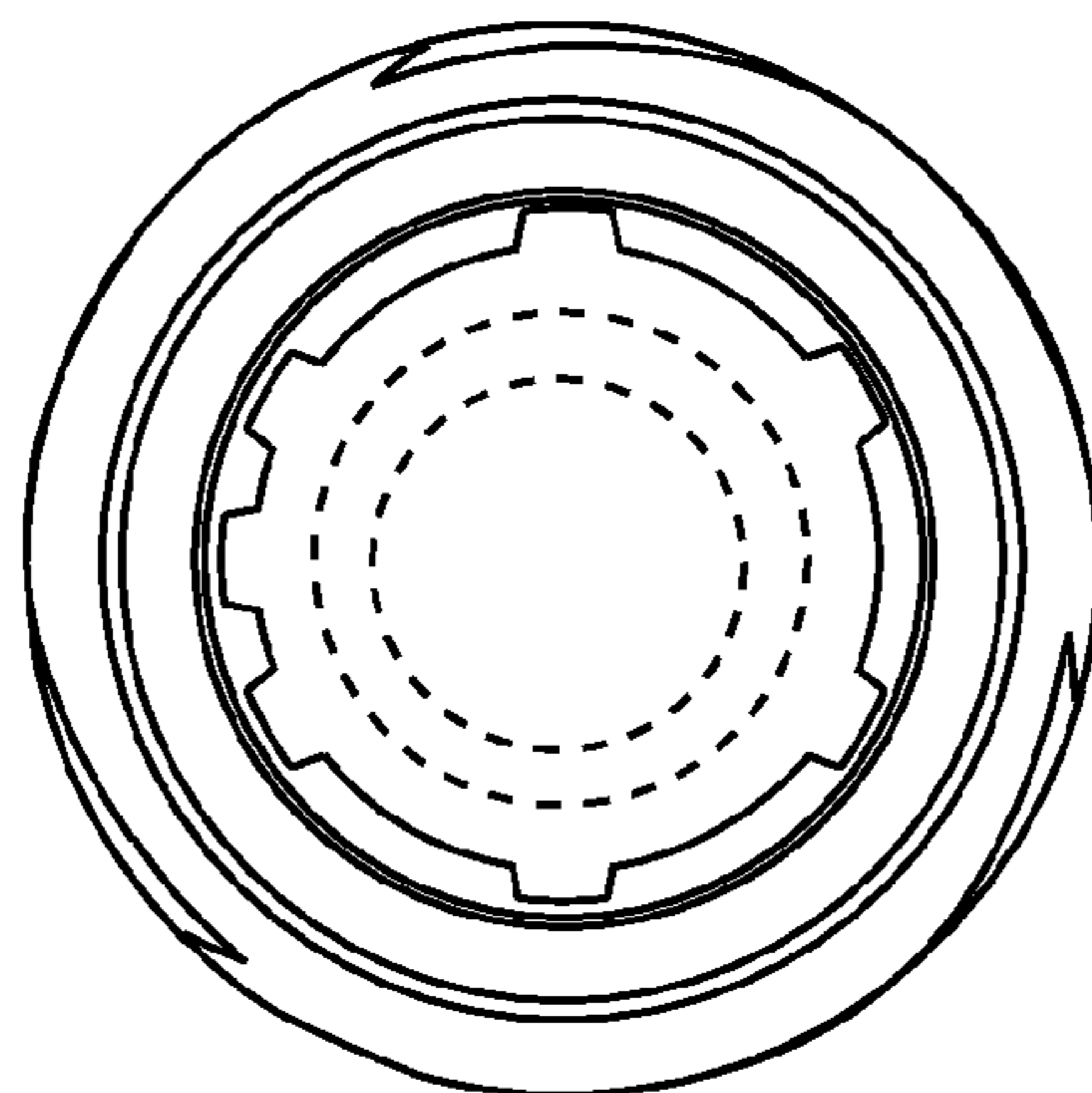


Figure 7