



US00D721806S

(12) **United States Design Patent**
Higgins et al.

(10) **Patent No.:** **US D721,806 S**
(45) **Date of Patent:** **** Jan. 27, 2015**

- (54) **PILOTING TIP**
- (71) Applicant: **Cardiovascular Systems, Inc.**, St. Paul, MN (US)
- (72) Inventors: **Joseph Higgins**, Minnetonka, MN (US); **Nicholas Ellering**, Crystal, MN (US)
- (73) Assignee: **Cardiovascular Systems, Inc.**, St. Paul, MN (US)
- (**) Term: **14 Years**
- (21) Appl. No.: **29/451,603**
- (22) Filed: **Apr. 4, 2013**
- (51) **LOC (10) Cl.** **24-02**
- (52) **U.S. Cl.**
USPC **D24/140**
- (58) **Field of Classification Search**
CPC A61B 1/0008; A61B 1/00087; A61B 17/00234; A61B 1/018; A61B 1/00096; A61B 1/01; A61B 5/6855; A61B 5/6856; A61B 5/6857; A61B 8/12; A61B 17/06066; A61B 2017/06084; A61B 17/3417; A61B 17/8811; A61B 17/3423; A61B 17/8819; A61B 17/8822; A61M 25/0133; A61F 2/84
USPC D24/133, 135, 140
See application file for complete search history.

D435,036	S *	12/2000	Koss et al.	D14/223
6,193,735	B1	2/2001	Stevens		
6,270,509	B1	8/2001	Barry et al.		
6,482,216	B1	11/2002	Hiblar et al.		
6,565,588	B1	5/2003	Clement et al.		
6,596,005	B1	7/2003	Kanz et al.		
6,616,676	B2	9/2003	Bashiri et al.		
6,652,546	B1	11/2003	Nash et al.		
D566,267	S *	4/2008	Benz et al.	D24/133
D612,939	S *	3/2010	Boone et al.	D24/133
D613,862	S *	4/2010	Vue et al.	D24/134
7,803,169	B2	9/2010	Shamay		
D650,075	S *	12/2011	Anglay et al.	D24/133
8,092,395	B2	1/2012	Lupton et al.		
D661,390	S *	6/2012	McLain	D24/133
D661,392	S *	6/2012	McLain	D24/133
8,388,635	B2	3/2013	Kumoyama et al.		
2005/0070926	A1 *	3/2005	Ortiz	606/142
2007/0051375	A1 *	3/2007	Milliman	128/856
2008/0033423	A1	2/2008	Peacock, III		
2009/0099581	A1	4/2009	Kim et al.		
2012/0197276	A1	8/2012	Lupton et al.		
2013/0035628	A1	2/2013	Garrison et al.		
2013/0158346	A1 *	6/2013	Soper et al.	600/104

* cited by examiner

Primary Examiner — Bridget L Eland
(74) *Attorney, Agent, or Firm* — Winthrop & Weinstine, P.A.

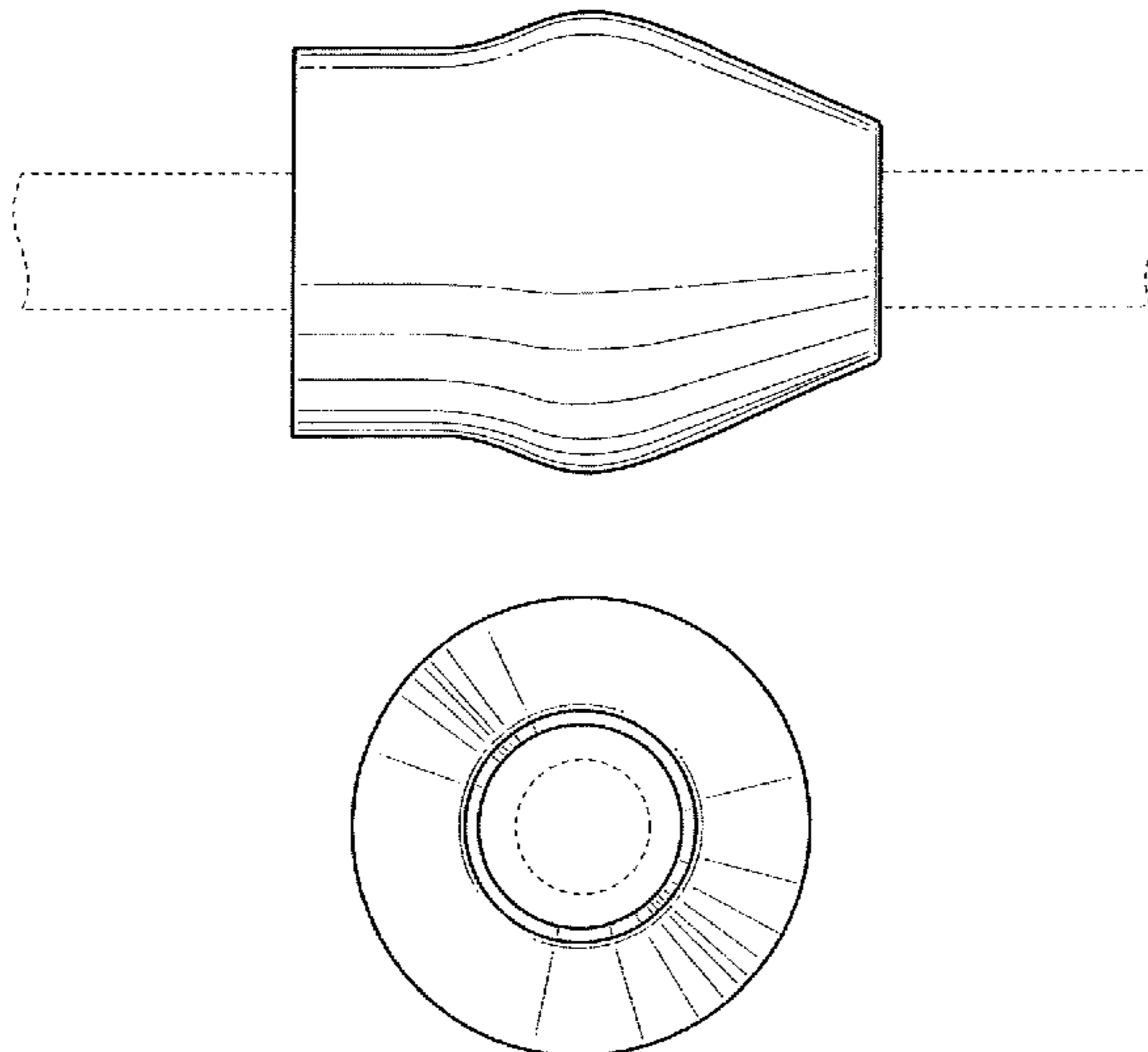
(57) **CLAIM**
The ornamental design for a piloting tip, as shown and described.

DESCRIPTION

FIG. 1 is a perspective view of the piloting tip showing the design.
FIG. 2 is a side view thereof.
FIG. 3 is a rear view thereof; and,
FIG. 4 is a front view thereof.
The portions of the disclosure shown in broken lines form no part of the claimed design.

1 Claim, 1 Drawing Sheet

- (56) **References Cited**
U.S. PATENT DOCUMENTS
- | | | | | | |
|-----------|-----|---------|----------------|-------|---------|
| D282,965 | S * | 3/1986 | Wellenstam | | D24/147 |
| D321,401 | S * | 11/1991 | Scanlan et al. | | D24/147 |
| 5,263,959 | A | 11/1993 | Fischell | | |
| 5,423,846 | A | 6/1995 | Fischell | | |
| D375,358 | S * | 11/1996 | Clark | | D24/133 |
| 6,015,420 | A | 1/2000 | Wulfman et al. | | |
| 6,096,054 | A | 8/2000 | Wyzgala et al. | | |



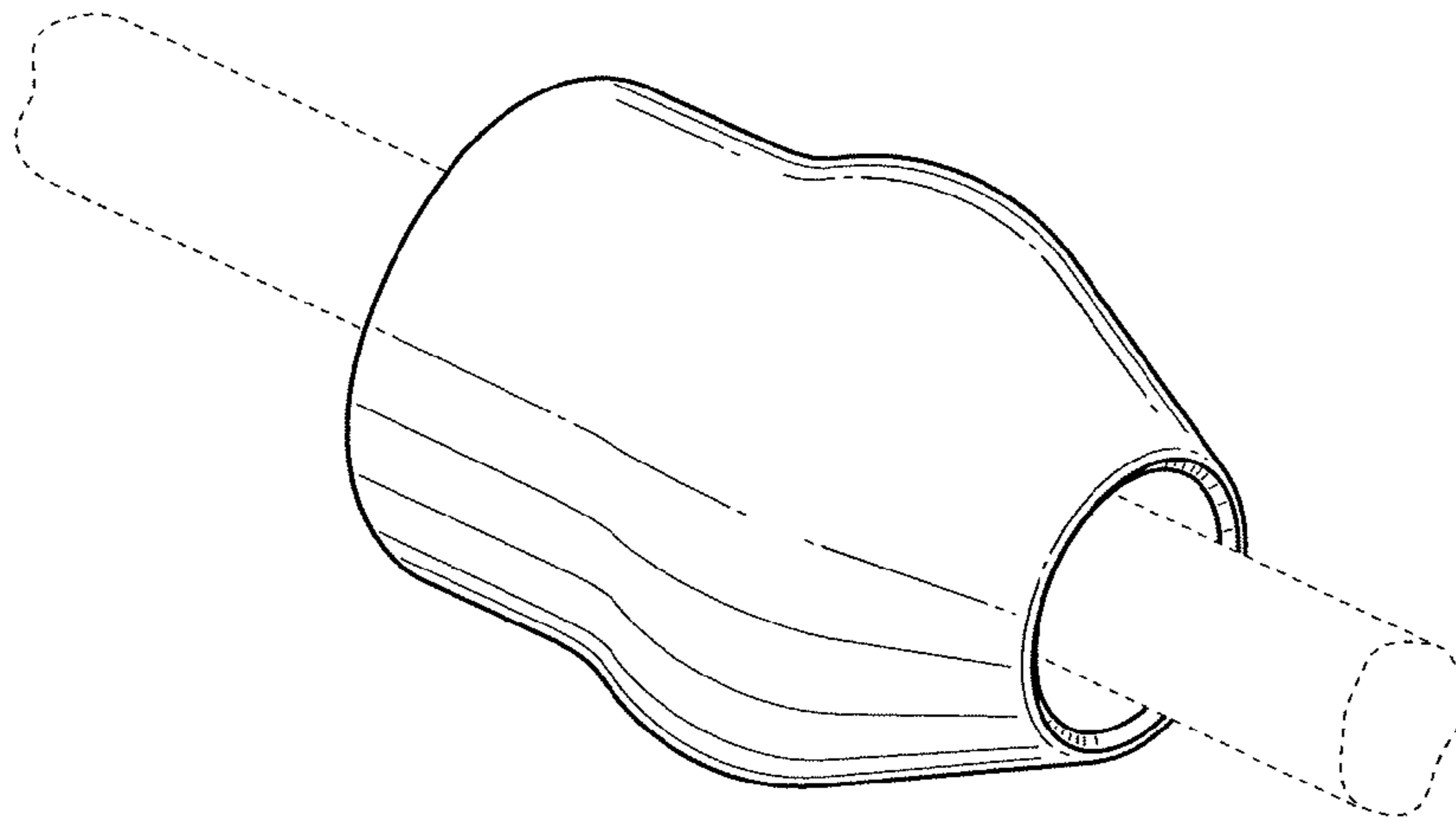


Fig. 1

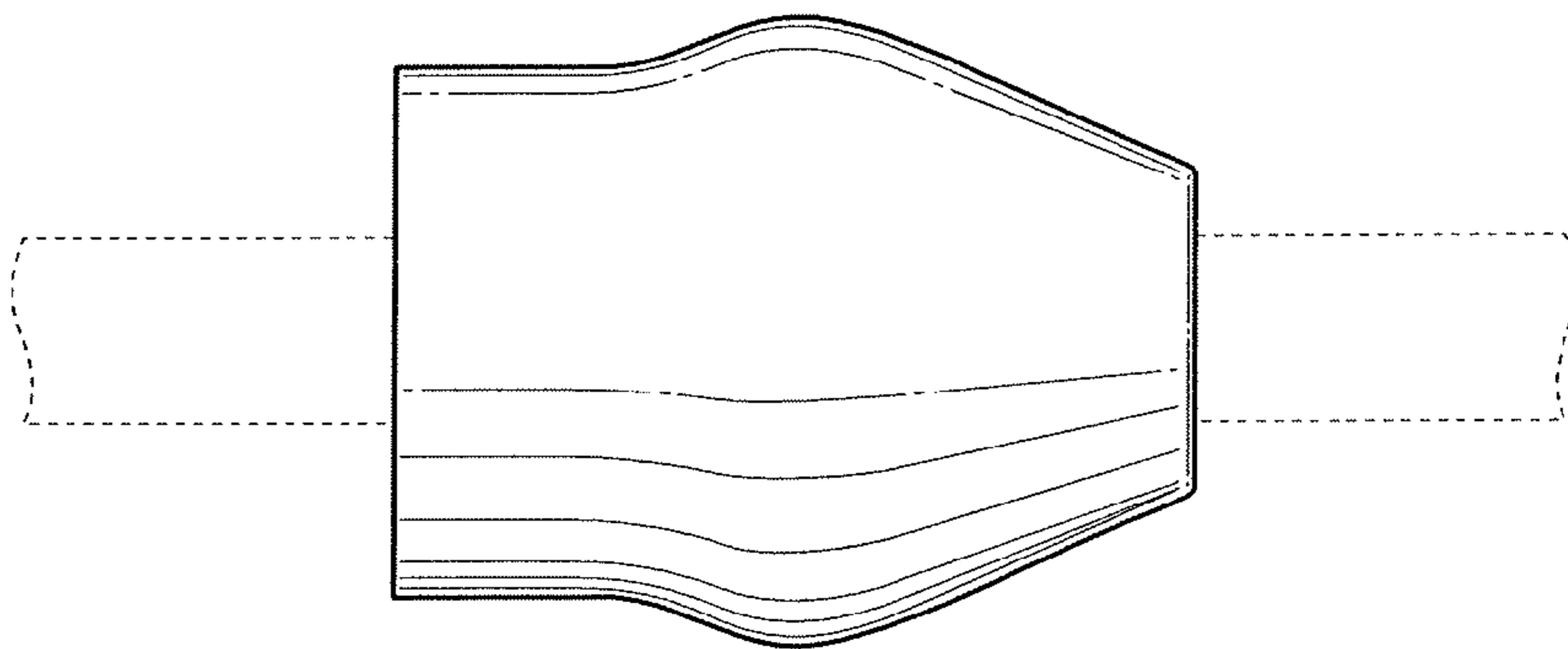


Fig. 2

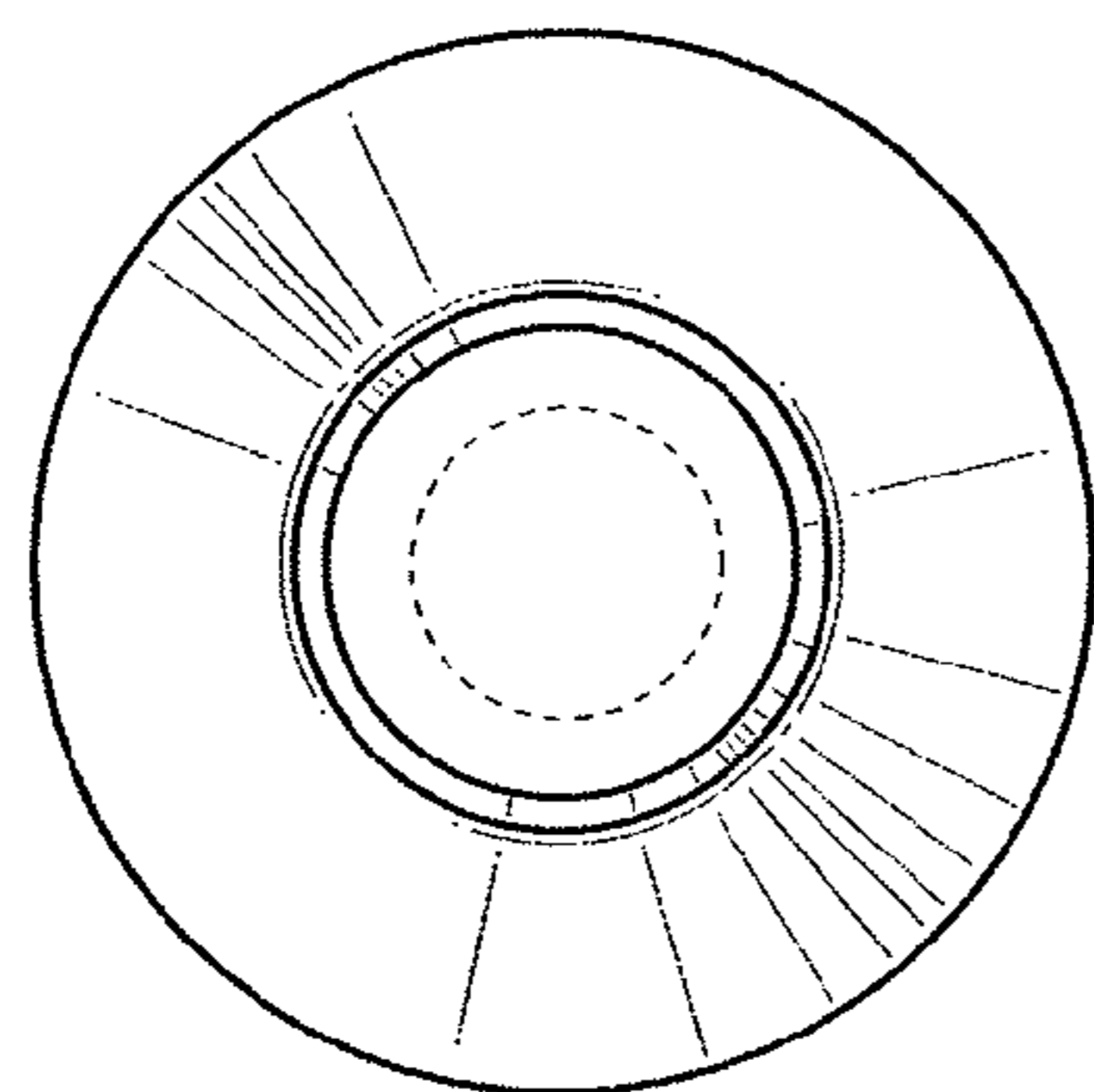


Fig. 3

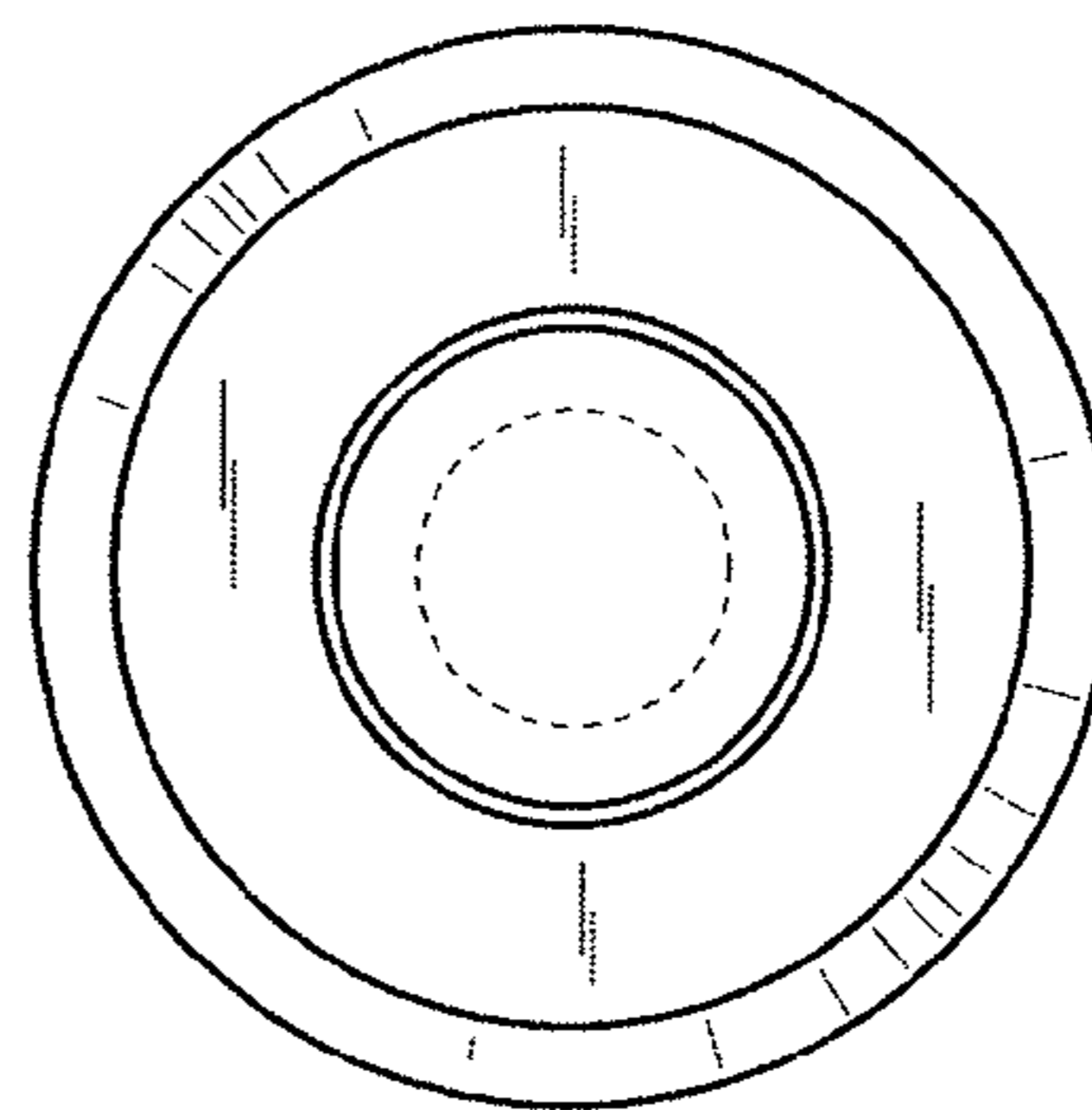


Fig. 4