



US00D721805S

(12) **United States Design Patent**
Hilliard

(10) **Patent No.:** **US D721,805 S**

(45) **Date of Patent:** **** Jan. 27, 2015**

(54) **HOLDING DEVICE**

(75) Inventor: **Stephen Glenn Hilliard**, Cainhoy, SC
(US)

(73) Assignee: **Blue Force Gear, Inc.**, Pooler, GA (US)

(**) Term: **14 Years**

(21) Appl. No.: **29/432,342**

(22) Filed: **Sep. 14, 2012**

(51) **LOC (10) Cl.** **24-04**

(52) **U.S. Cl.**
USPC **D24/128**

(58) **Field of Classification Search**

USPC D24/232, 107, 127-128, 143, 169, 224,
D24/227, 229-230; D29/130; D3/203.7,
D3/215, 229, 20; D8/333, 349, 353, 354,
D8/360.1, 373; 248/301, 303-304, 205.2;
604/345; 606/203; 607/112; 224/191;
24/115 R, 129 A, 129 R, 130, 129 B

See application file for complete search history.

(56) **References Cited**

U.S. PATENT DOCUMENTS

278,097 A * 5/1883 Collins 24/129 B
2,582,787 A * 1/1952 Homer 24/115 R

(Continued)

OTHER PUBLICATIONS

Internet webpage: http://www.blueforcegear.com/product_images/i/150/M_TNS_CB-1_95636_zoom.jpg; dated May 24, 2012.

Primary Examiner — Wan Laymon

(74) *Attorney, Agent, or Firm* — Amy Allen Hinson; Nexsen Pruet, LLC

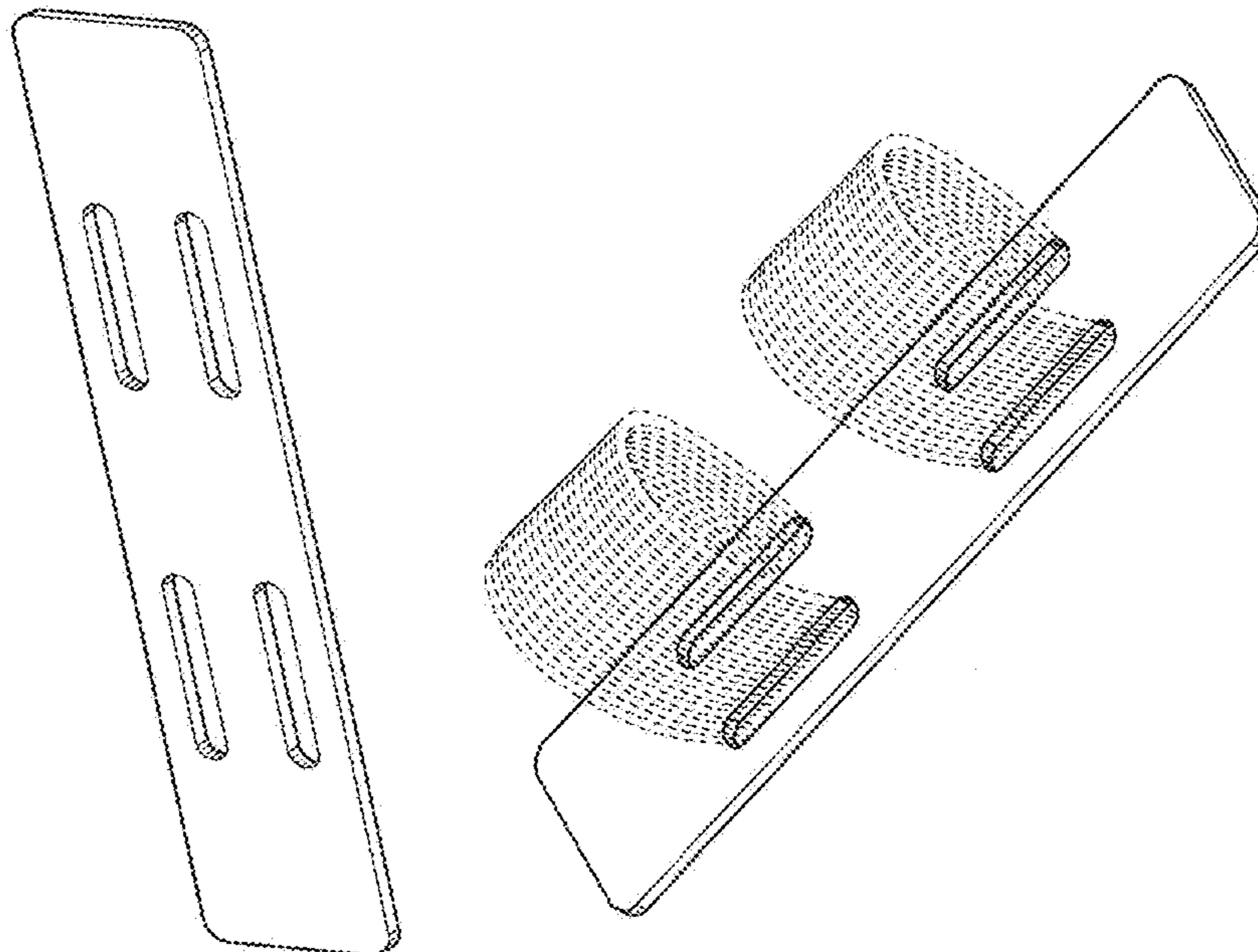
(57) **CLAIM**

I claim the ornamental design for a holding device, substantially as shown and described.

DESCRIPTION

FIG. 1 is a front, right, and top perspective view of an embodiment of the holding device of the present invention; FIG. 2 is a rear view of the embodiment of FIG. 1; FIG. 3 is a left side view of the embodiment of FIG. 1; FIG. 4 is a bottom view of the embodiment of FIG. 1; FIG. 5 is a front, right, and top perspective view of an embodiment of the holding device of the present invention; FIG. 6 is a top view of the embodiment of FIG. 5; FIG. 7 is a bottom view of the embodiment of FIG. 5; FIG. 8 is a front view of the embodiment of FIG. 5; FIG. 9 is a rear view of the embodiment of FIG. 5; FIG. 10 is a right side view of the embodiment of FIG. 5; FIG. 11 is a left side view of the embodiment of FIG. 5; FIG. 12 is a front, right, and top perspective view of an embodiment of the holding device of the present invention; FIG. 13 is a rear view of the embodiment of FIG. 12; FIG. 14 is a left side view of the embodiment of FIG. 12; FIG. 15 is a bottom view of the embodiment of FIG. 12; FIG. 16 is a front, right, and top perspective view of an embodiment of the holding device of the present invention; FIG. 17 is a top view of the embodiment of FIG. 16; FIG. 18 is a bottom view of the embodiment of FIG. 16; FIG. 19 is a front view of the embodiment of FIG. 16; FIG. 20 is a rear view of the embodiment of FIG. 16; FIG. 21 is a right side view of the embodiment of FIG. 16; and, FIG. 22 is a left side view of the embodiment of FIG. 16. The broken lines shown in the figures represent portions of the holding device and form no part of the claimed design.

1 Claim, 8 Drawing Sheets



(56)

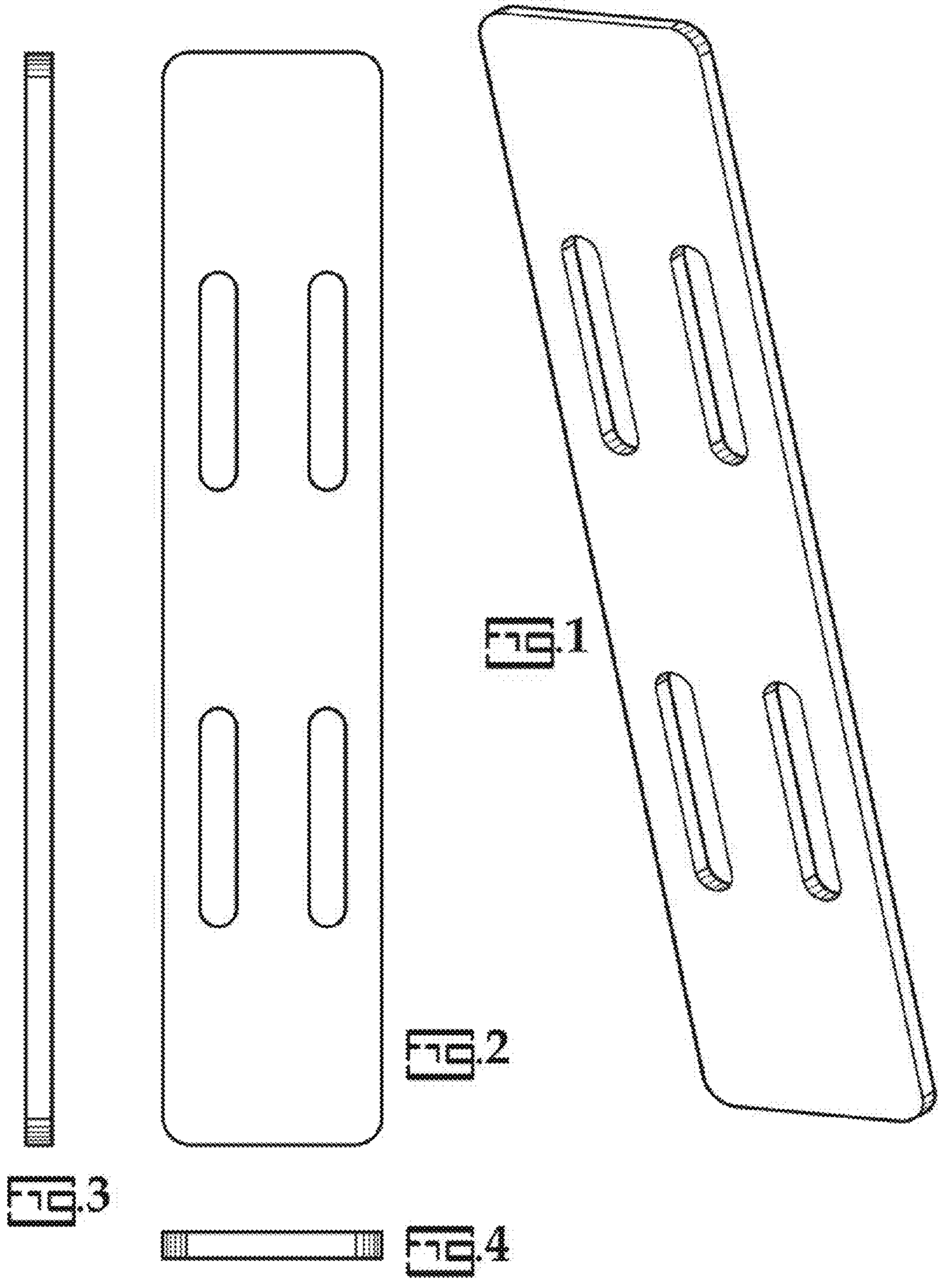
References Cited

U.S. PATENT DOCUMENTS

D231,982 S * 7/1974 Farquharson D3/229
D233,490 S * 11/1974 Bailey D3/229
4,222,157 A * 9/1980 Forman 24/129 A
4,639,977 A * 2/1987 Howard 24/129 B

D370,258 S * 5/1996 Newman D24/128
D388,249 S * 12/1997 Negron D3/218
7,041,124 B2 * 5/2006 Purcell 607/112
D534,905 S * 1/2007 Sergi D8/354
D599,647 S * 9/2009 Cubides D8/373
D617,844 S * 6/2010 Stone D20/27
D649,863 S * 12/2011 Meyer D8/354

* cited by examiner



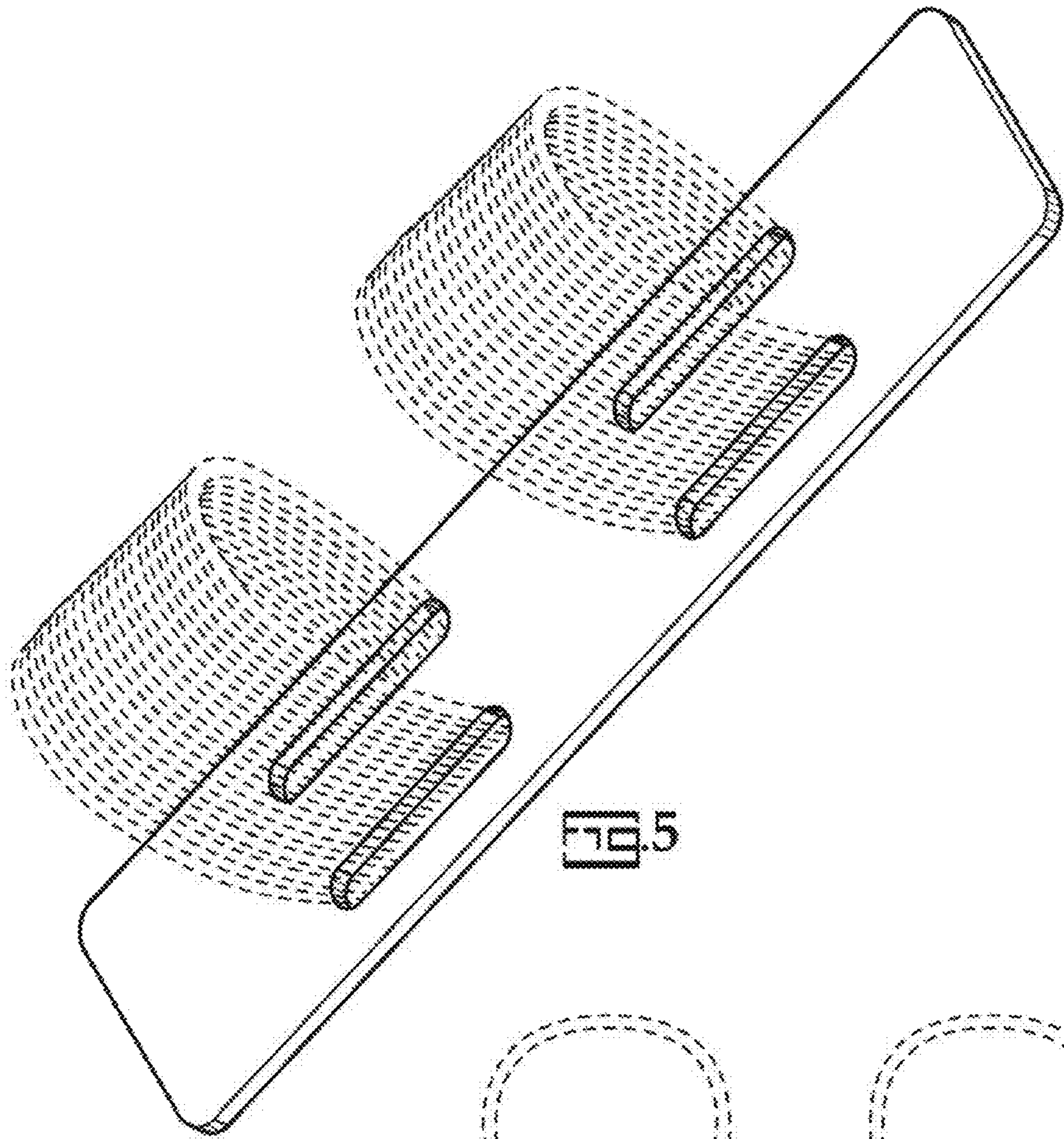


FIG. 5

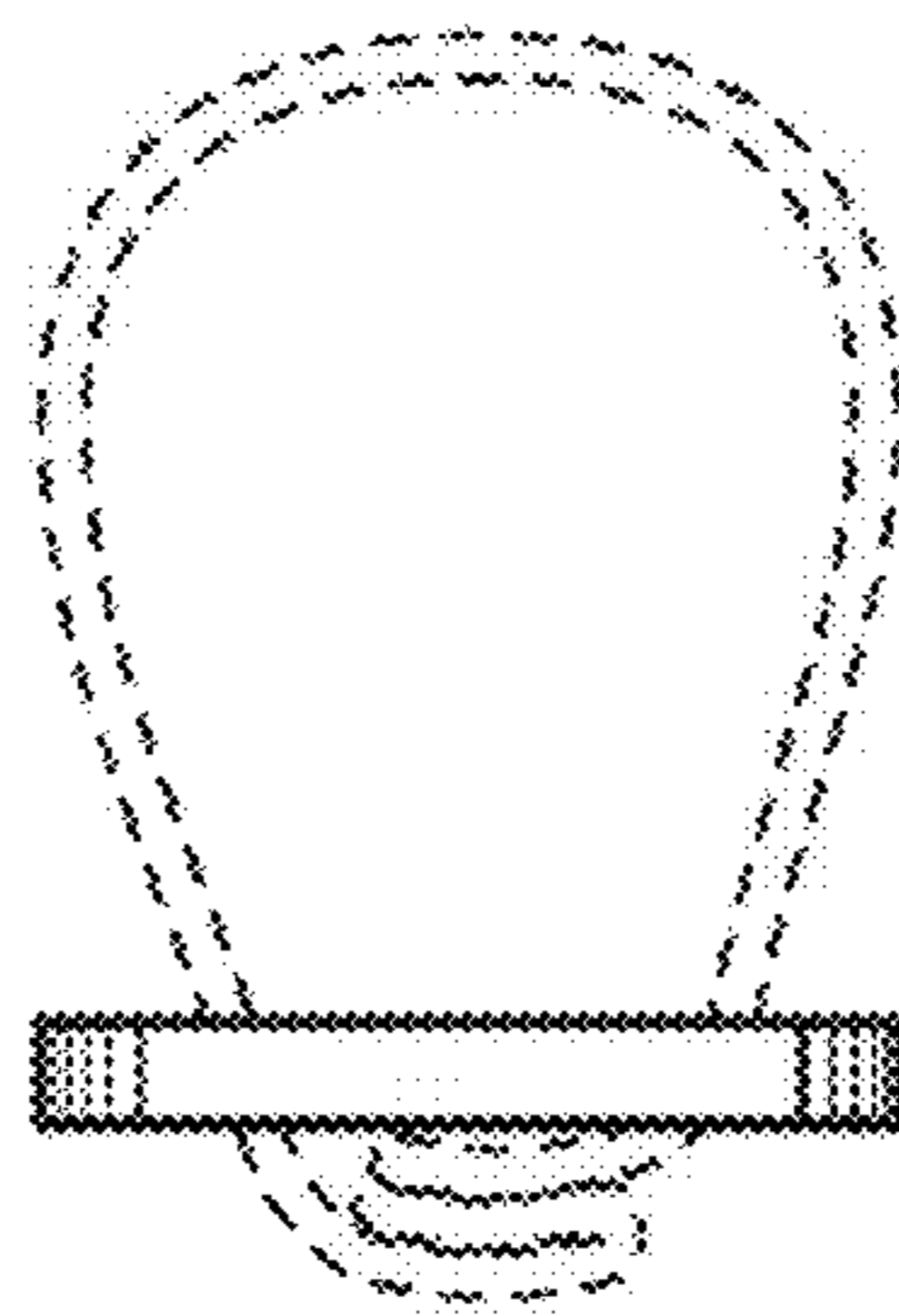


FIG. 6

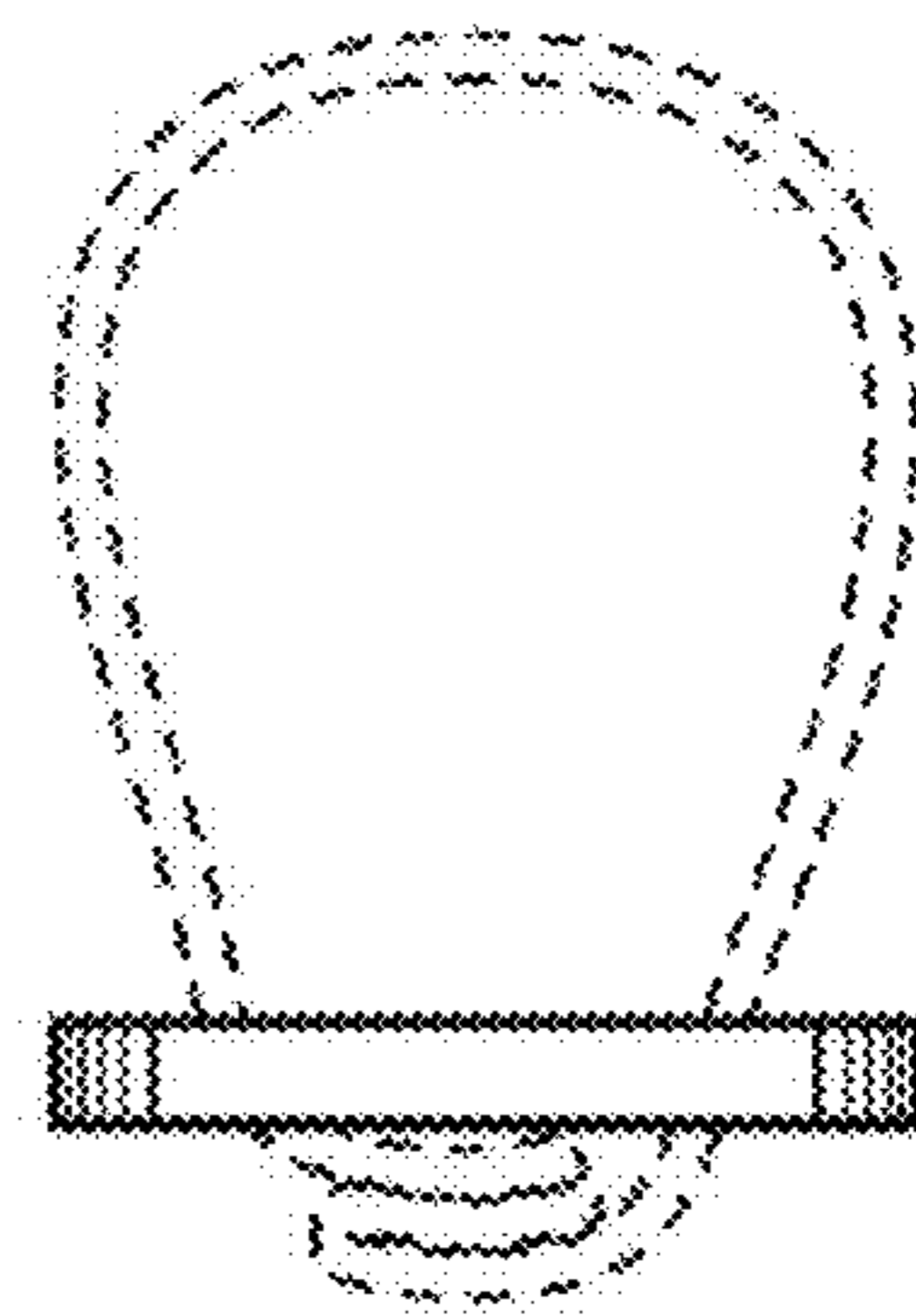


FIG. 7

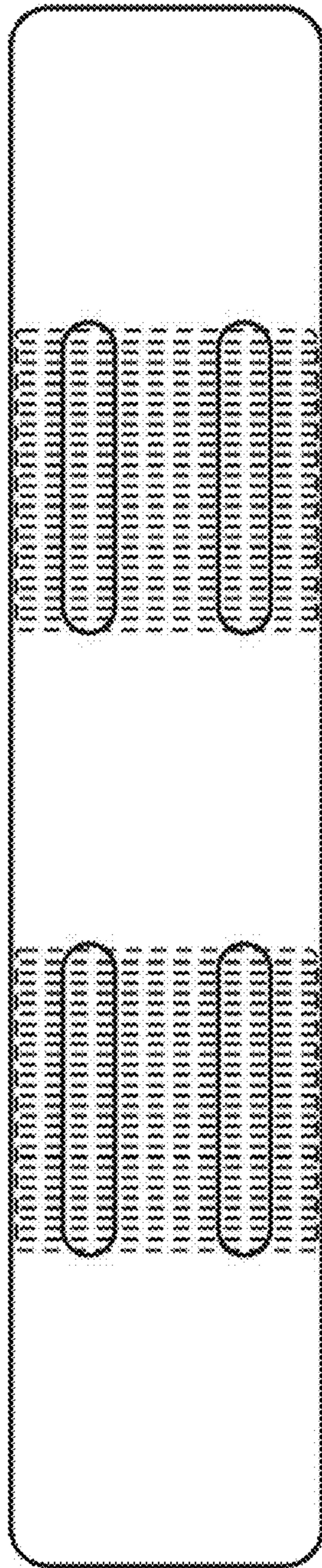


FIG. 8

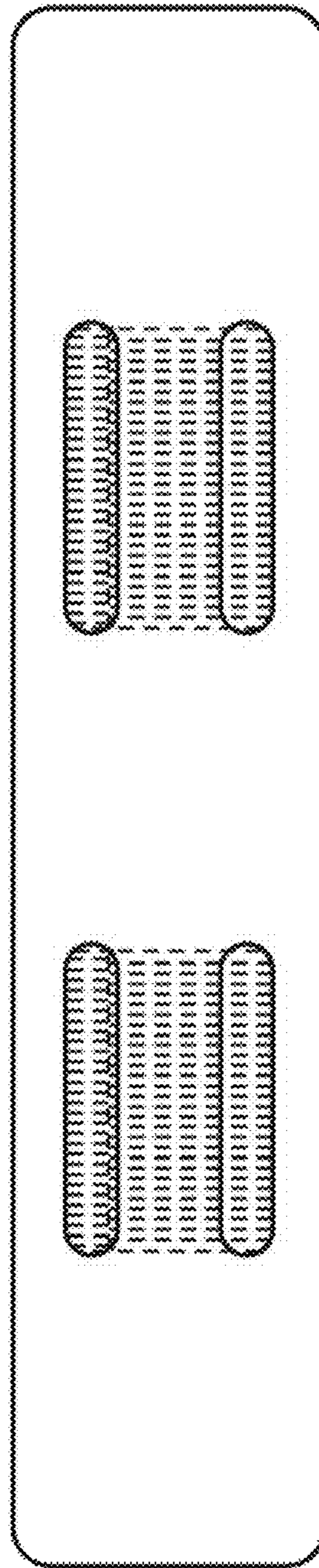


FIG. 9

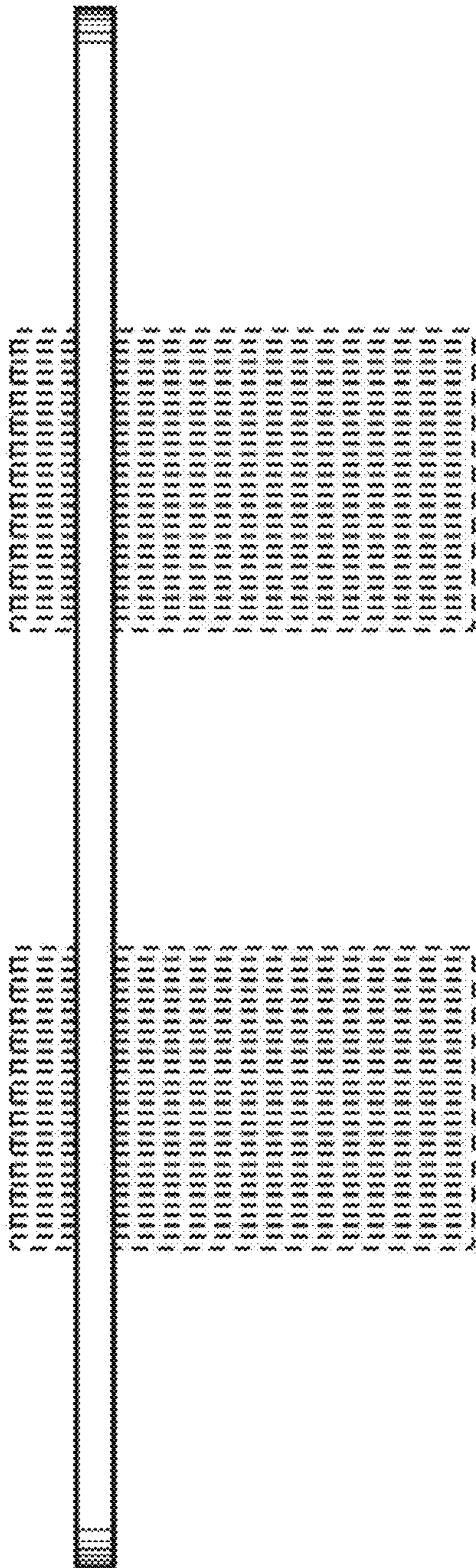


Fig. 10

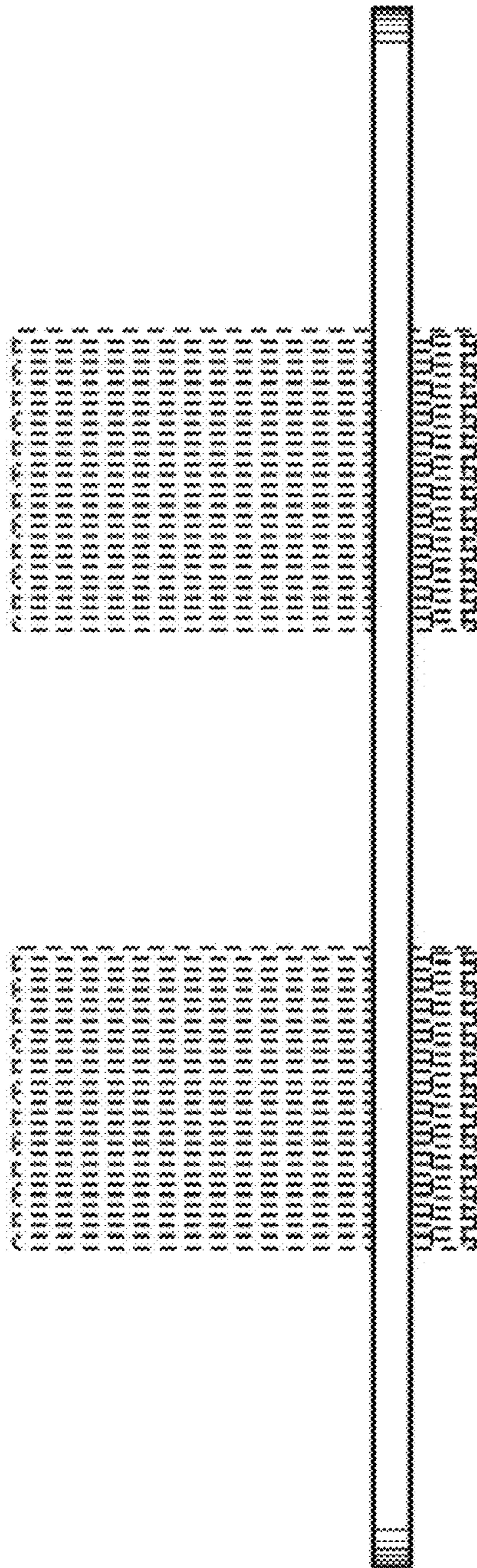
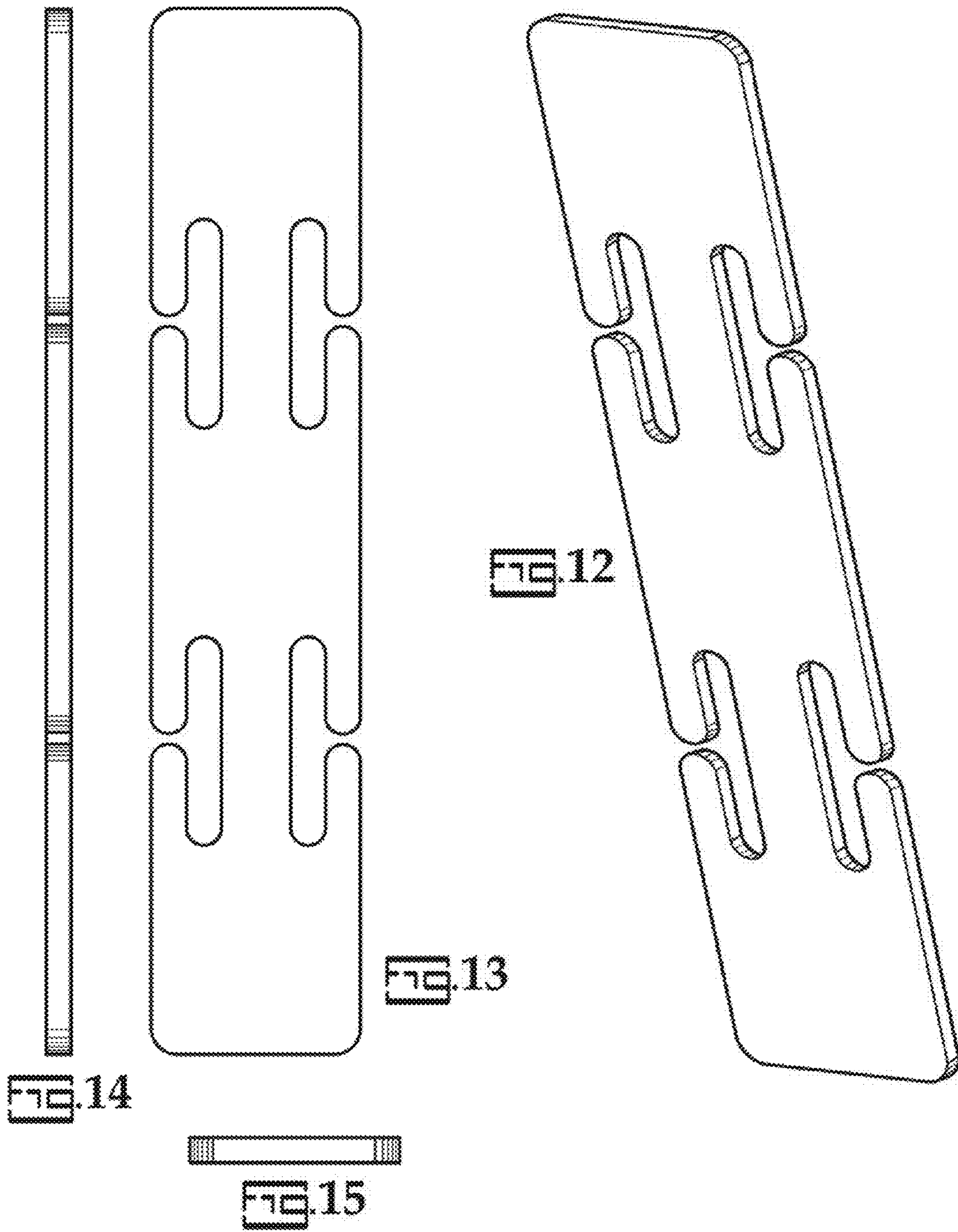


Fig. 11



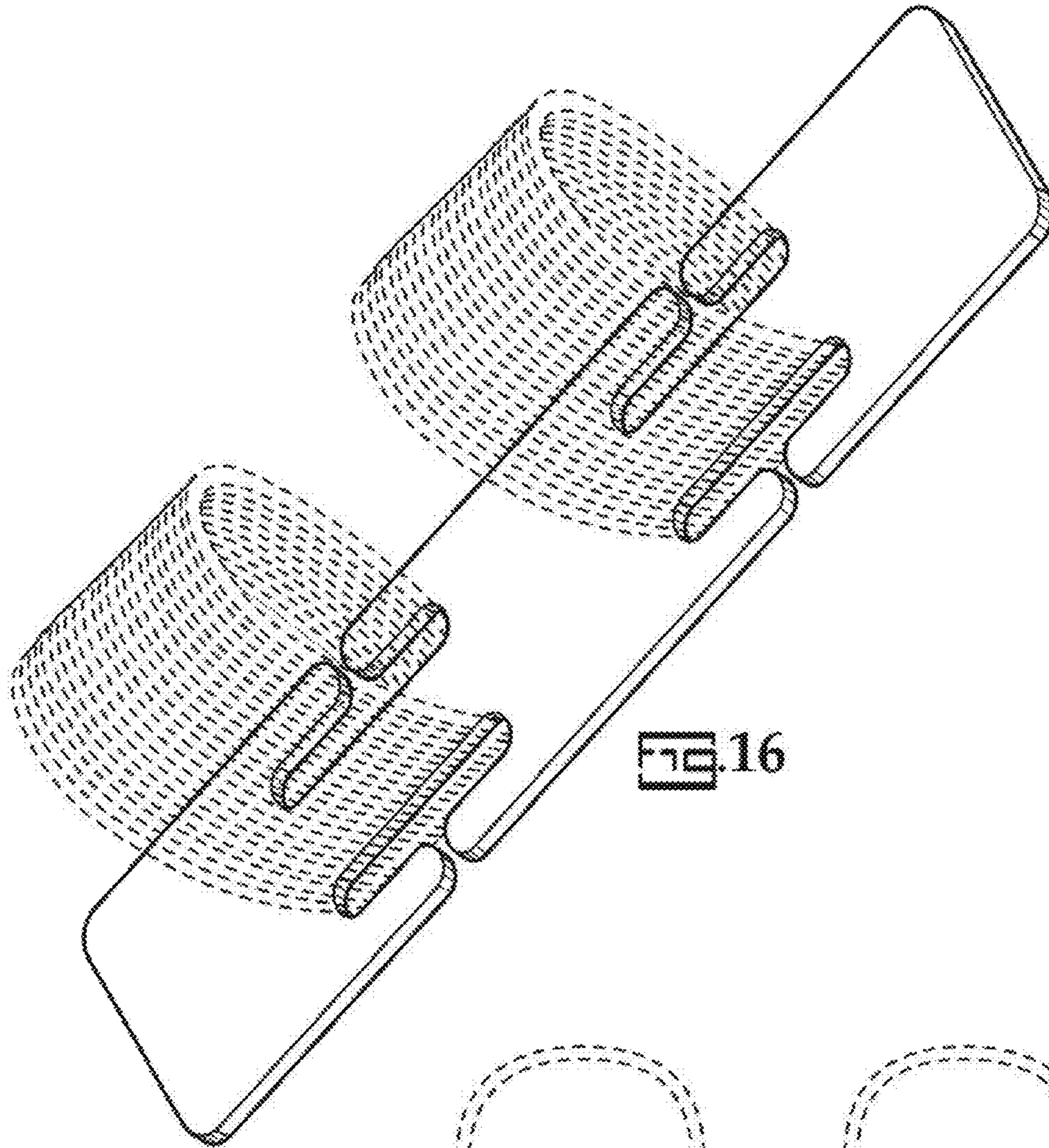


FIG. 16

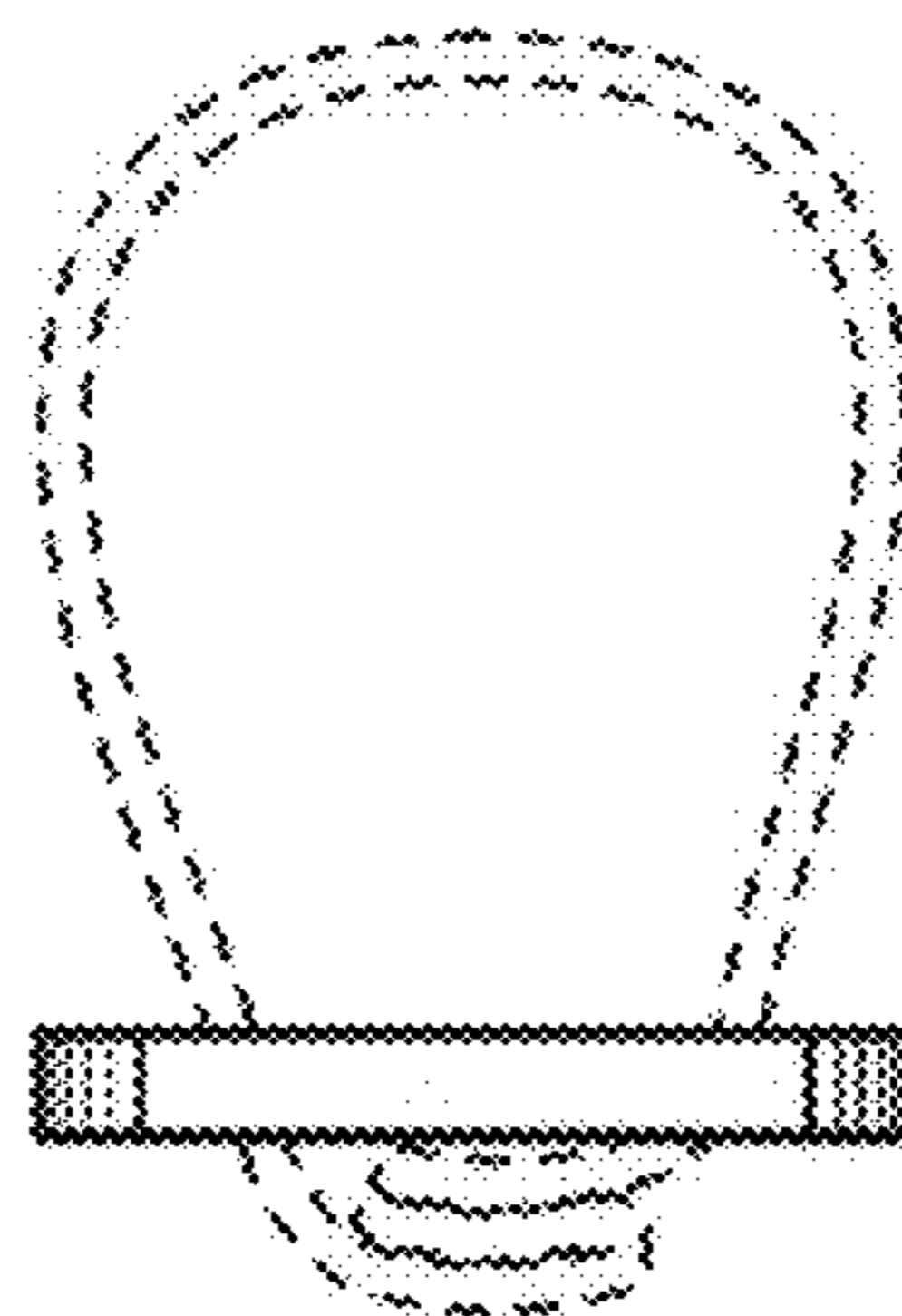


FIG. 17

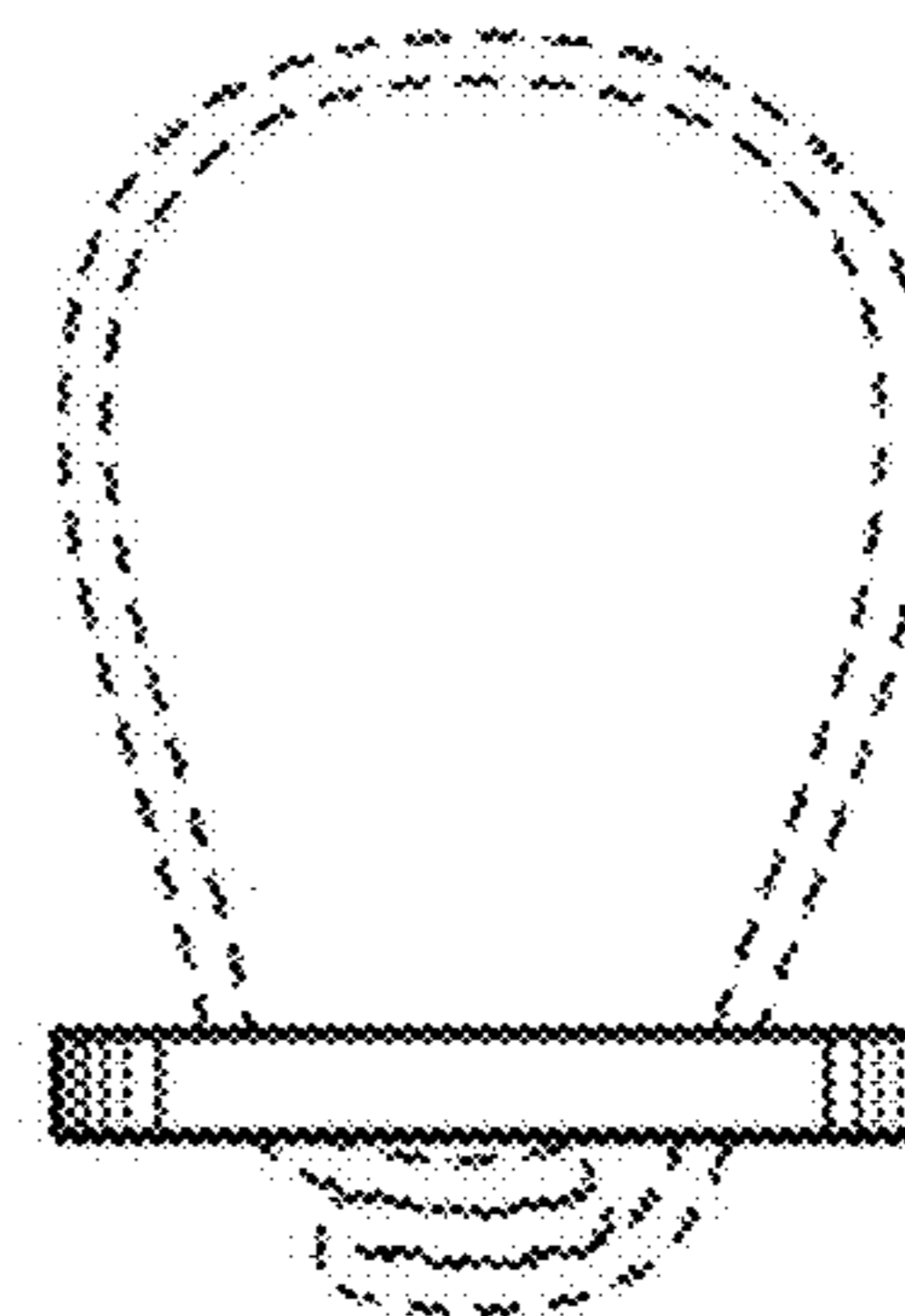


FIG. 18

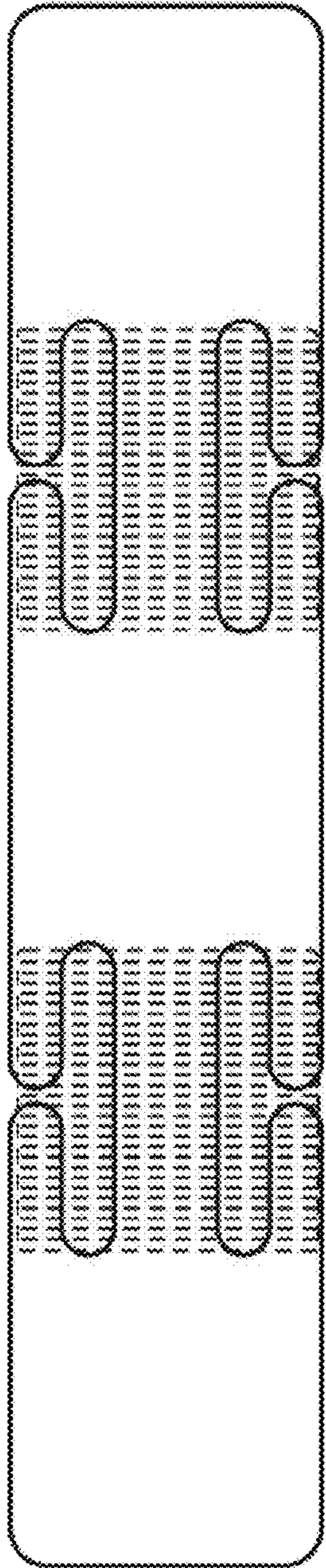


FIG. 19

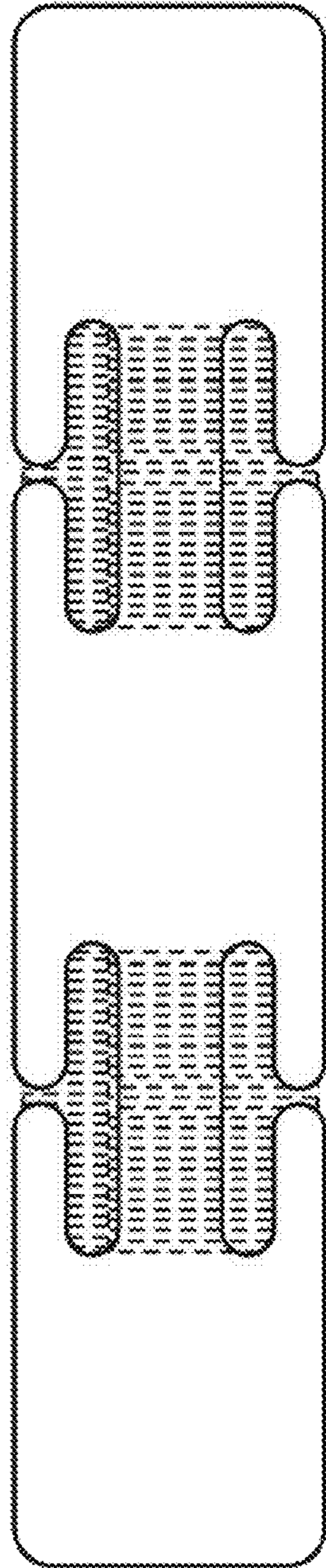


FIG. 20

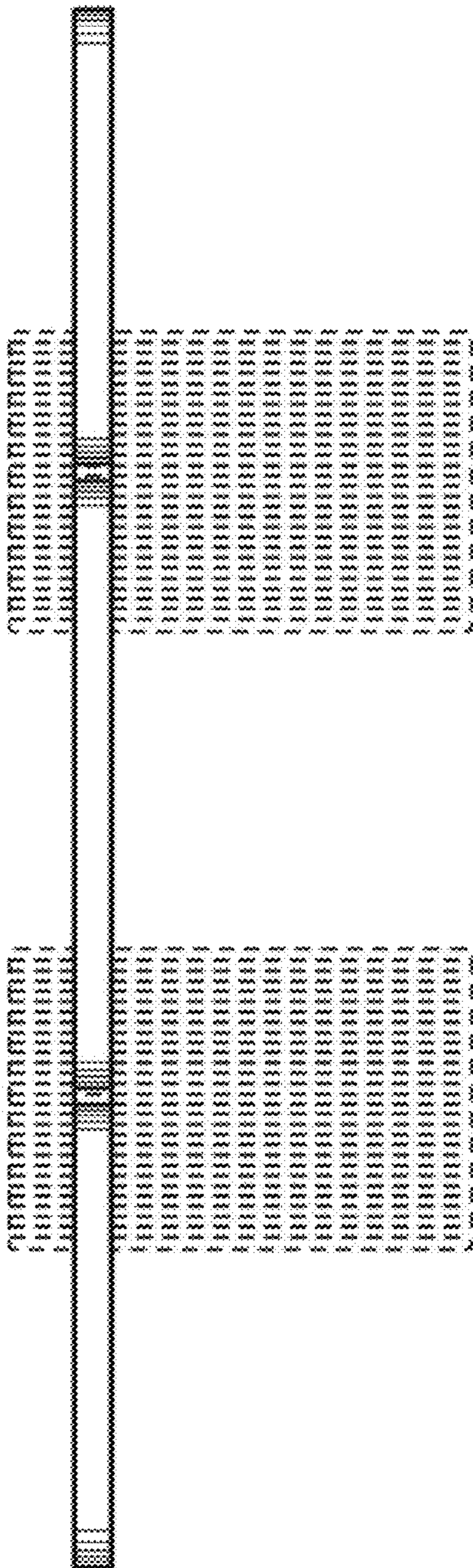


Fig. 21

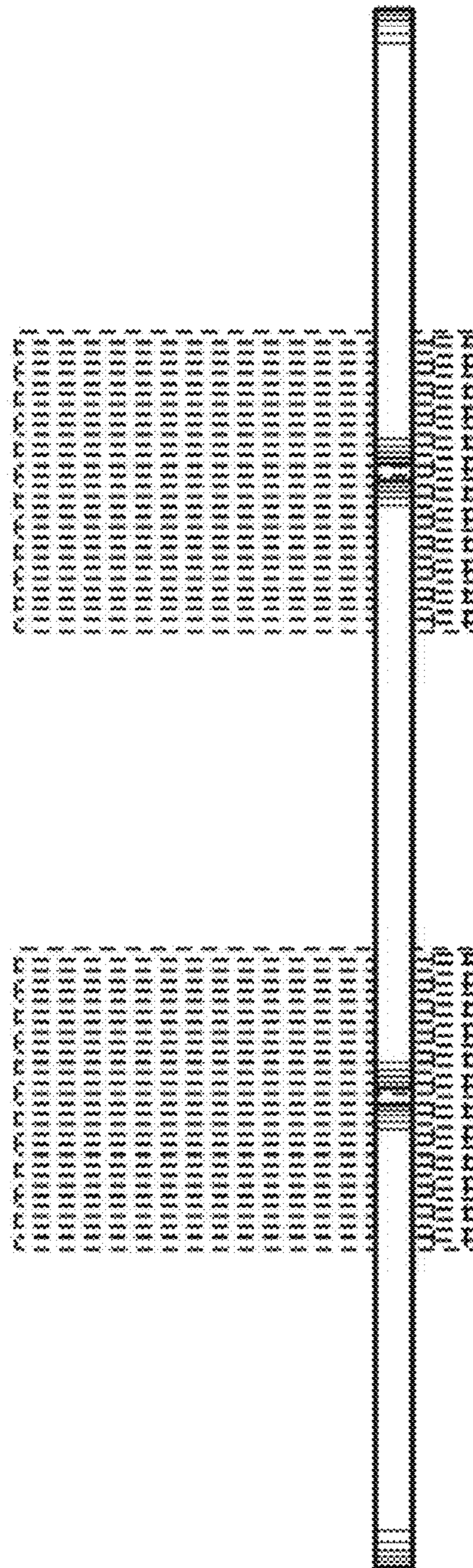


Fig. 22