



US00D721803S

(12) **United States Design Patent**
Dubach

(10) **Patent No.:** **US D721,803 S**
(45) **Date of Patent:** **** Jan. 27, 2015**

(54) **SYRINGE**

(75) Inventor: **Werner F. Dubach**, Maur (CH)

(73) Assignee: **Geistlich Pharma AG**, Wolhusen (CH)

(**) Term: **14 Years**

(21) Appl. No.: **29/432,440**

(22) Filed: **Sep. 14, 2012**

(30) **Foreign Application Priority Data**

Mar. 22, 2012 (CH) 138827

(51) **LOC (10) Cl.** **24-02**

(52) **U.S. Cl.**
USPC **D24/114**

(58) **Field of Classification Search**

CPC A61B 17/8811; A61B 17/8825; A61B
2017/8838; A61M 5/31511; A61M
2005/31516; A61M 5/31513; A61M 11/00;
A61M 11/007; A61M 15/08; A61M 15/0065;
A61M 11/065; A61F 2/4601; A61F 2/4644;
B05B 11/007; B05B 11/02
USPC D24/112, 113, 114, 133, 186, 130, 127;
604/256, 264, 167.1, 164.2, 164.4,
604/164.5, 164.7, 164.8, 239, 236, 237;
606/92, 93, 94; 600/139; 128/200.22,
128/207.18, 200.14, 200.18

See application file for complete search history.

(56) **References Cited**

U.S. PATENT DOCUMENTS

D323,031 S * 1/1992 Ahlstrand et al. D24/114
5,601,077 A * 2/1997 Imbert 128/200.14
2012/0083790 A1 * 4/2012 Dubach 606/94

* cited by examiner

Primary Examiner — Ian Simmons

Assistant Examiner — Ieisha Price

(74) *Attorney, Agent, or Firm* — Davis Wright Tremaine
LLP; George C. Rondeau, Jr.

(57) **CLAIM**

The ornamental design for a syringe, as shown and described.

DESCRIPTION

FIG. 1 is top left side perspective view of a syringe showing my new design, including a syringe body and a syringe housing.

FIG. 2 is bottom right side perspective view thereof.

FIG. 3 is a rear elevational view thereof.

FIG. 4 is a left side elevational view thereof.

FIG. 5 is a front elevational view thereof.

FIG. 6 is a right side elevational view thereof.

FIG. 7 is a bottom plan view thereof.

FIG. 8 is a top plan view thereof.

FIG. 9 is a top left side perspective view of the syringe body removed from the syringe housing.

FIG. 10 is bottom right side perspective view thereof.

FIG. 11 is a rear elevational view thereof.

FIG. 12 is a left side elevational view thereof.

FIG. 13 is a front elevational view thereof.

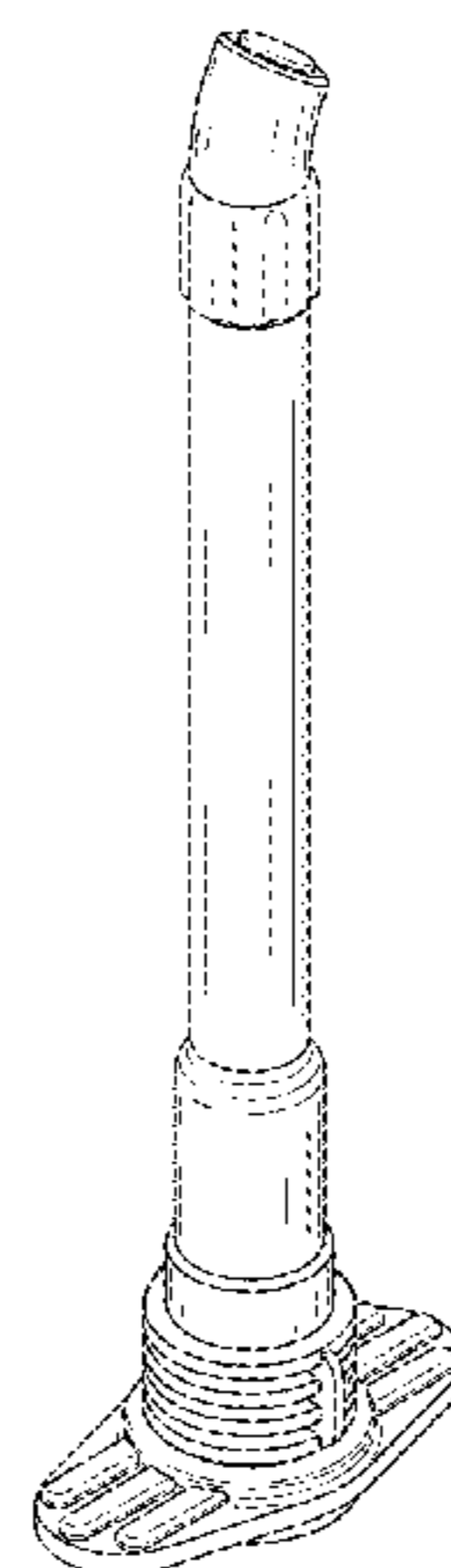
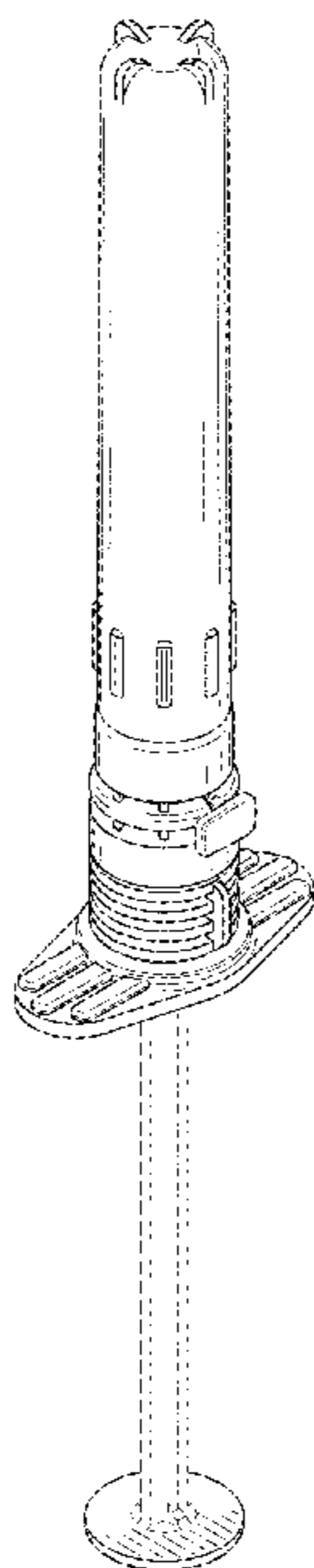
FIG. 14 is a right side elevational view thereof.

FIG. 15 is a bottom plan view thereof; and,

FIG. 16 is a top plan view thereof.

The broken lines in the drawings illustrate portions of the syringe which form no part of the claimed design.

1 Claim, 8 Drawing Sheets



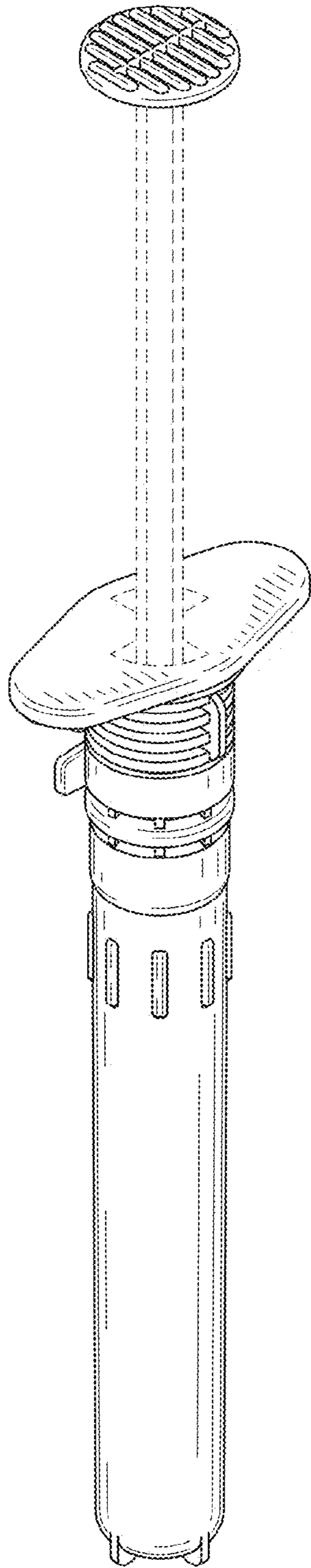


FIG. 1

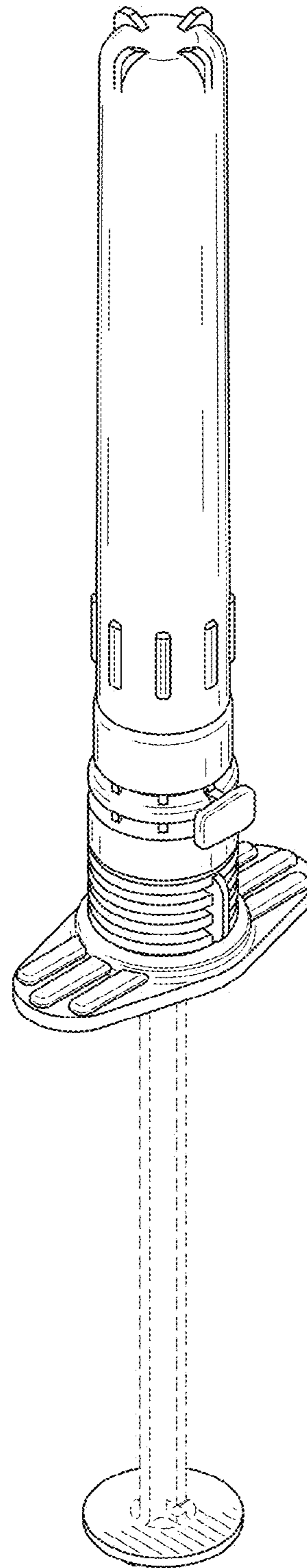


FIG. 2

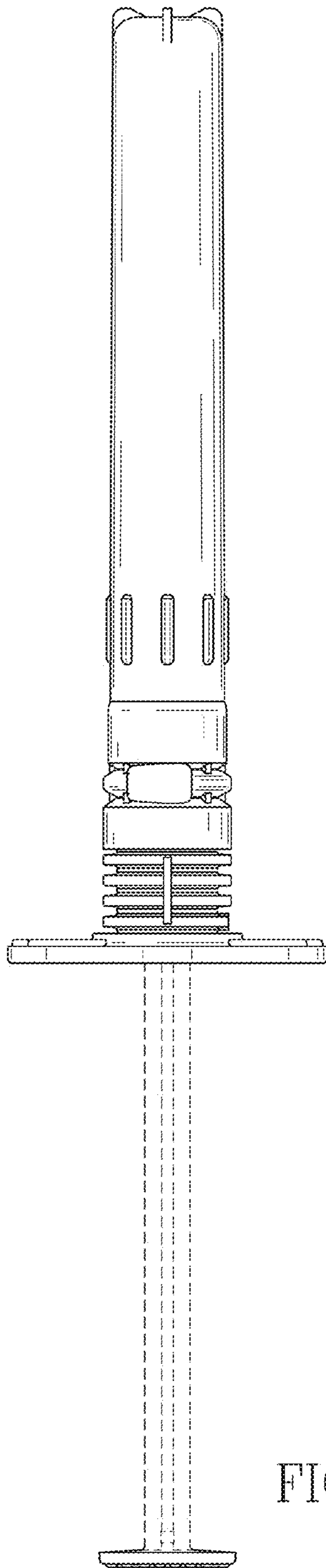


FIG. 3

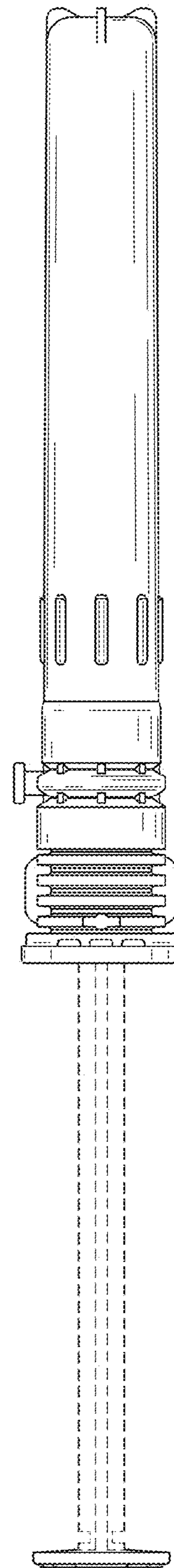


FIG. 4

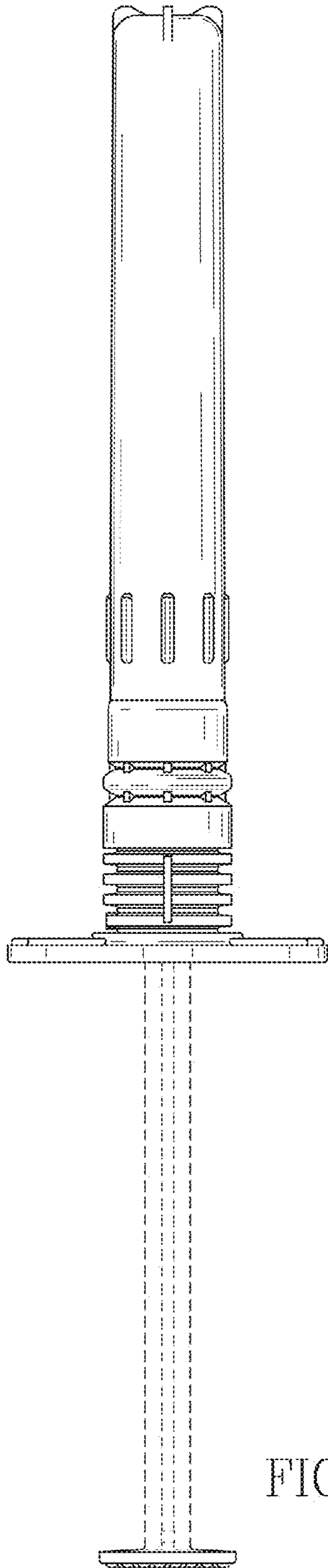


FIG. 5

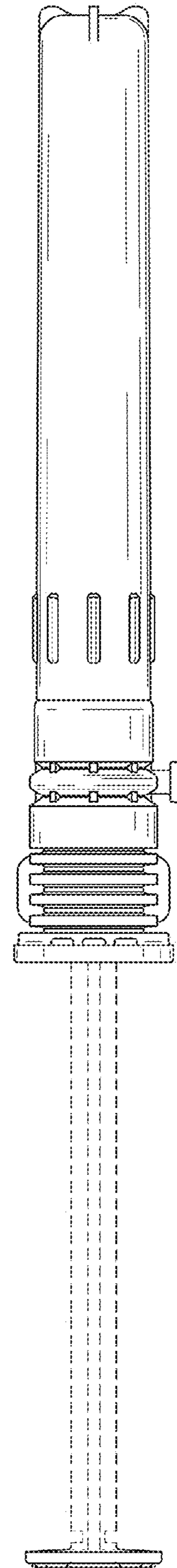


FIG. 6

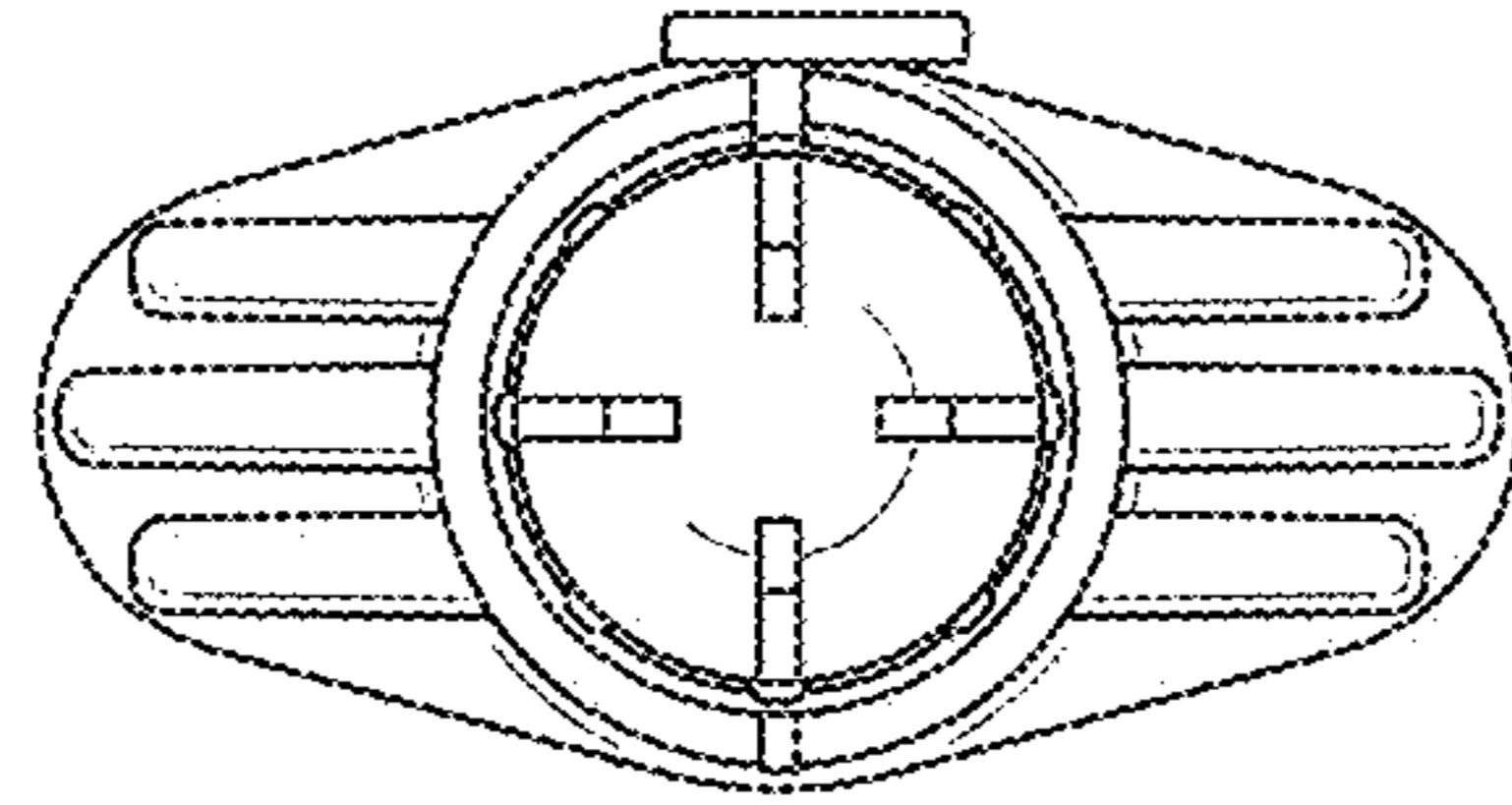


FIG. 7

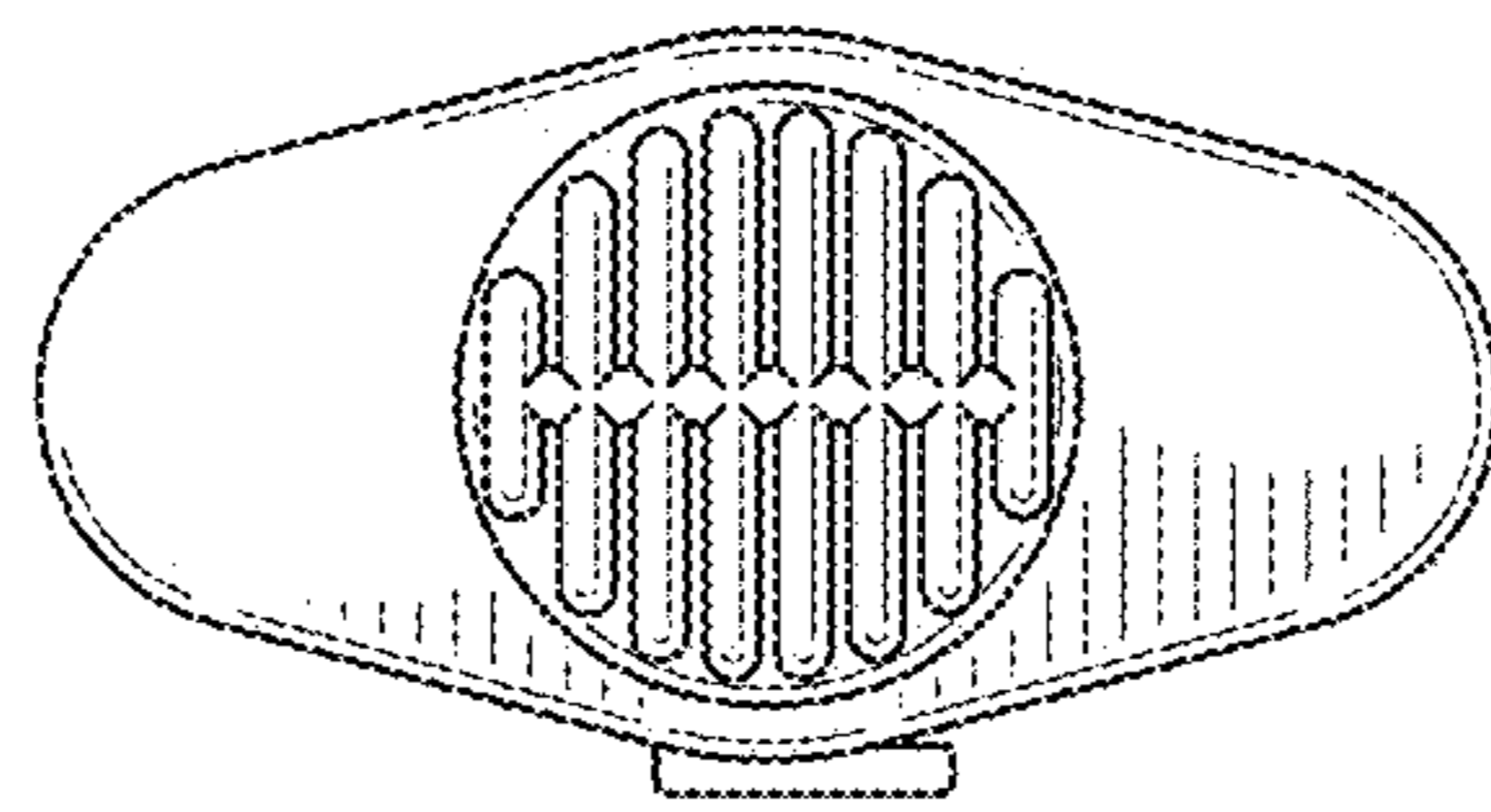


FIG. 8

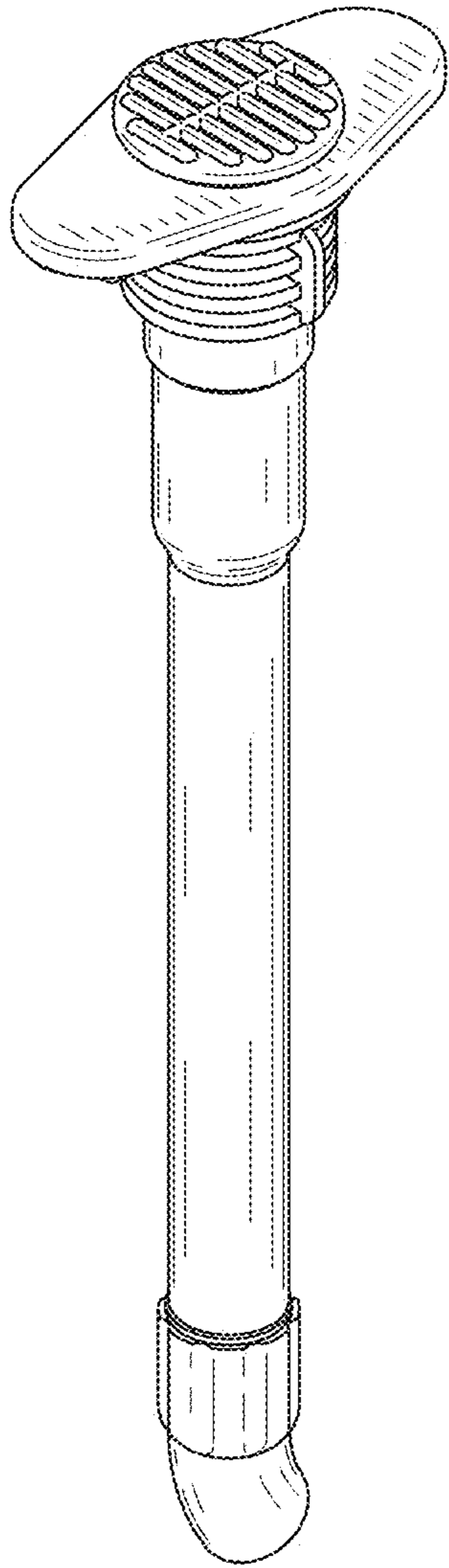


FIG. 9

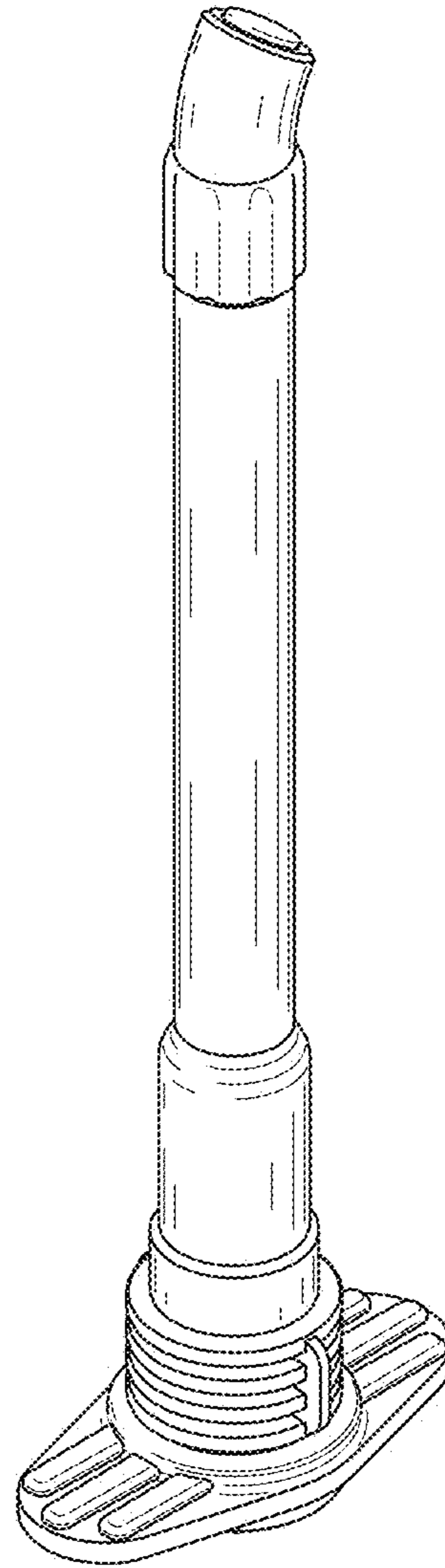


FIG. 10

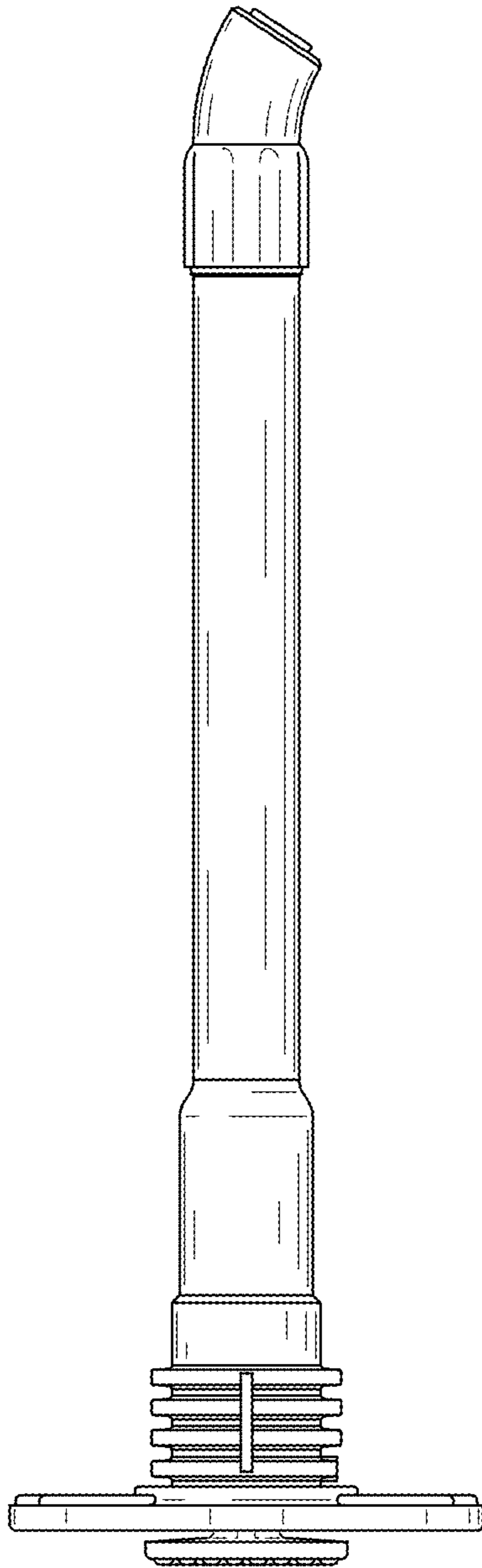


FIG. 11

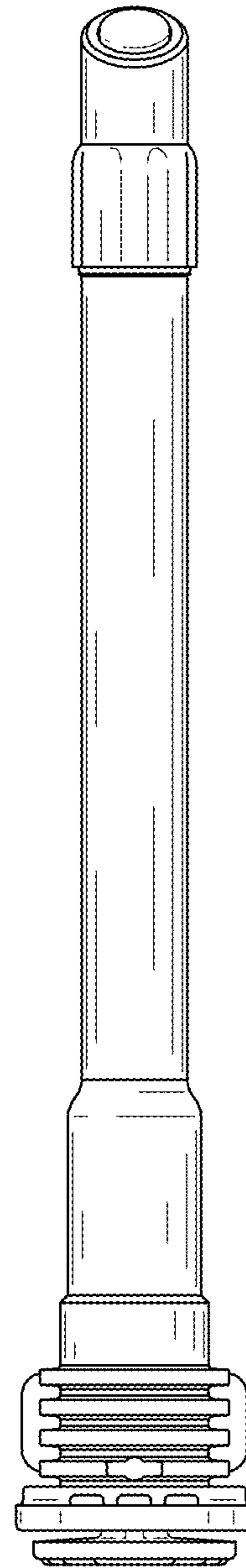


FIG. 12

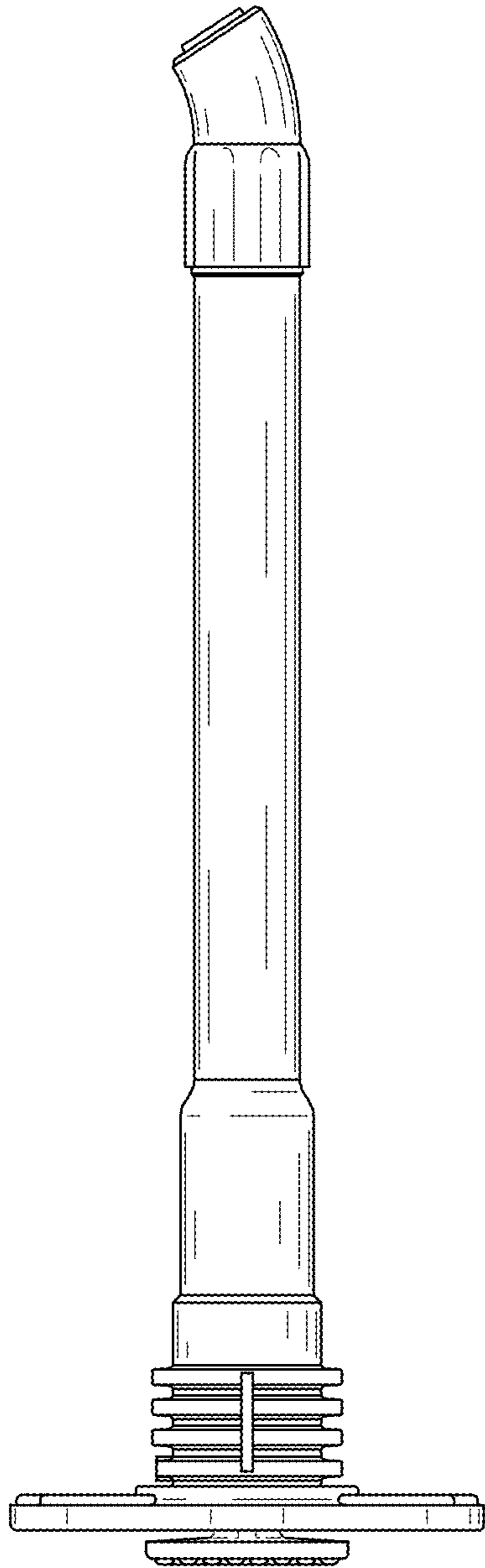


FIG. 13

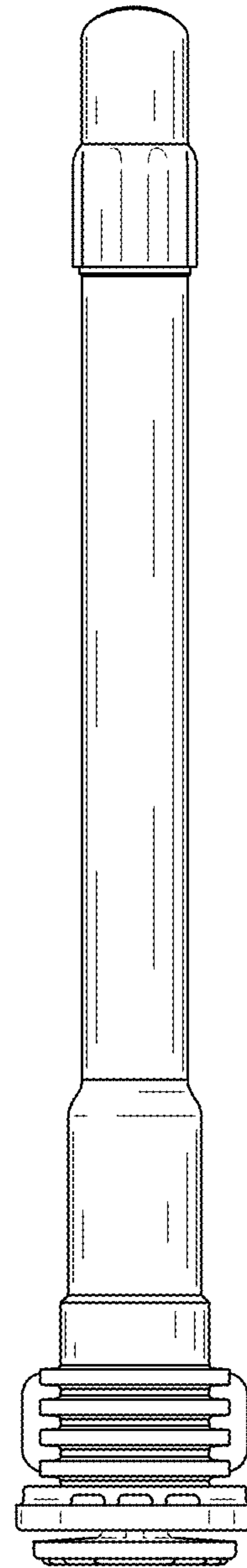


FIG. 14

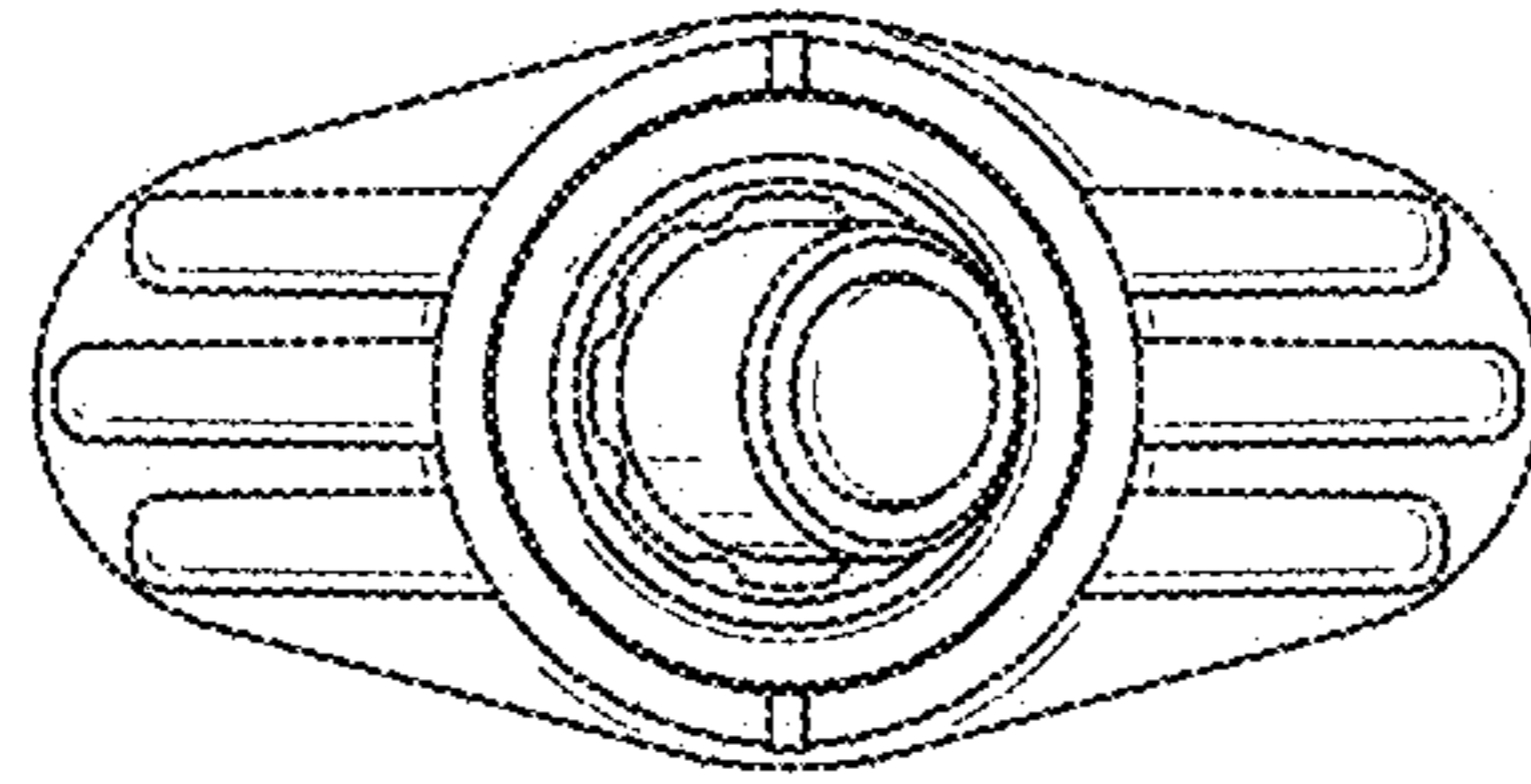


FIG.15

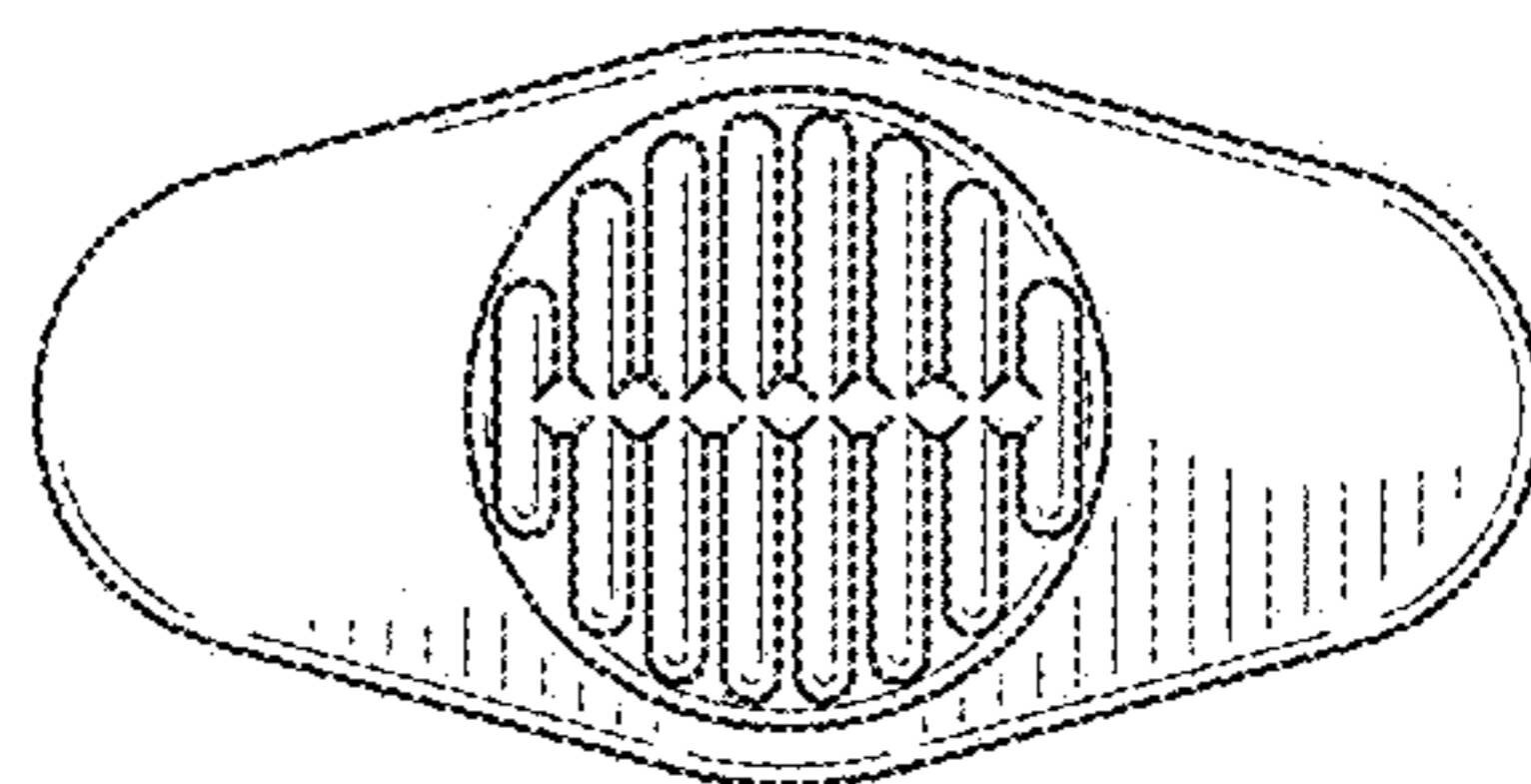


FIG.16