



US00D721799S

(12) **United States Design Patent**
Forlong

(10) **Patent No.:** **US D721,799 S**
(45) **Date of Patent:** **** Jan. 27, 2015**

(54) **MOVABLE JUNCTION DUCT SECTION**

(71) Applicant: **Eigen Systems Limited**, Albany,
Auckland (NZ)

(72) Inventor: **Murray Houlton Forlong**, Auckland
(NZ)

(73) Assignee: **Eigen Systems Limited**, Albany (NZ)

(**) Term: **14 Years**

(21) Appl. No.: **29/452,305**

(22) Filed: **Apr. 15, 2013**

(51) **LOC (10) Cl.** **23-02**

(52) **U.S. Cl.**
USPC **D23/393**

(58) **Field of Classification Search**
USPC D23/385–395, 397, 370–373, 365, 351,
D23/354, 399–403, 421, 499; 454/309,
454/275–277, 284, 287–291, 358–363;
52/302.1, 32.07; 285/229, 189, 183,
285/123.1, 15, 114, 110, 424, 197; 165/59
See application file for complete search history.

(56) **References Cited**

U.S. PATENT DOCUMENTS

D269,117 S *	5/1983	Sherrard	D23/393
D271,793 S *	12/1983	Lane	D23/421
5,121,948 A *	6/1992	Anderson et al.	285/147.1
D335,174 S *	4/1993	Anderson et al.	D23/393
D342,130 S *	12/1993	Anderson et al.	D23/393

D342,782 S *	12/1993	Anderson et al.	D23/393
D425,612 S *	5/2000	Andersen	D23/393
6,203,074 B1 *	3/2001	Daniel	285/424
6,230,418 B1 *	5/2001	Gomulinski	34/140
6,431,611 B1 *	8/2002	Andersen	285/183
D681,797 S *	5/2013	Gustafsson et al.	D23/393
D694,872 S *	12/2013	Gustafsson et al.	D23/393
8,651,533 B2 *	2/2014	Shahidehpour et al.	285/424

* cited by examiner

Primary Examiner — David Muller

(74) *Attorney, Agent, or Firm* — Young & Thompson

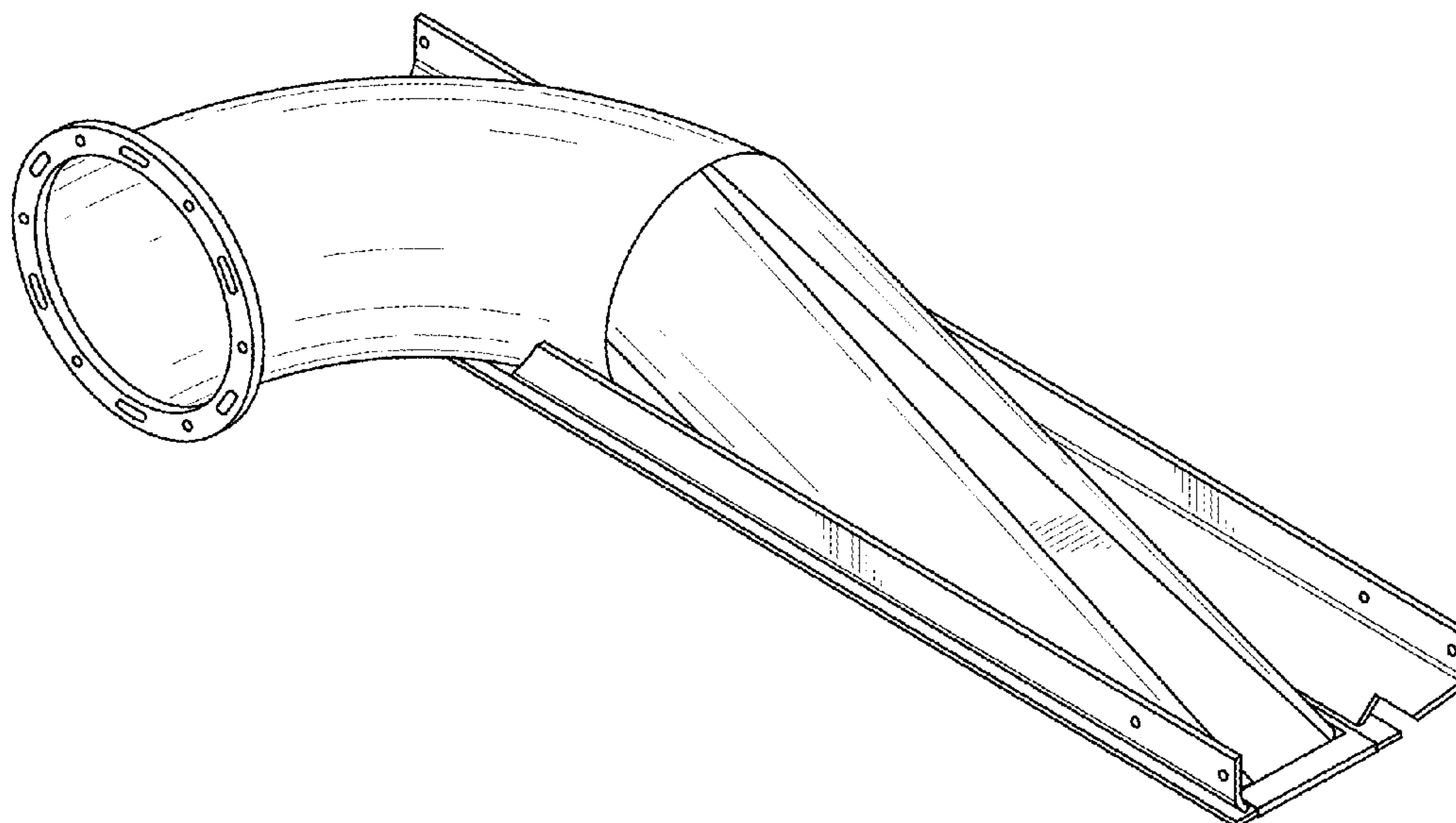
(57) **CLAIM**

The ornamental design for a movable junction duct section, as shown and described.

DESCRIPTION

FIG. 1 is a top plan view of a movable junction duct section showing the new design;
 FIG. 2 is a right side elevation view thereof;
 FIG. 3 is a left side elevation view thereof;
 FIG. 4 is a rear elevation view thereof;
 FIG. 5 is a top, left side, front perspective view thereof;
 FIG. 6 is a top, right side, rear perspective view thereof;
 FIG. 7 is a top plan view of the tube portion thereof, separated from the tray portion for ease of illustration;
 FIG. 8 is a right side elevation view thereof;
 FIG. 9 is a left side elevation view thereof;
 FIG. 10 is a rear elevation view thereof;
 FIG. 11 is a top, left side, front perspective view thereof; and,
 FIG. 12 is a top, right side, rear perspective view thereof.

1 Claim, 6 Drawing Sheets



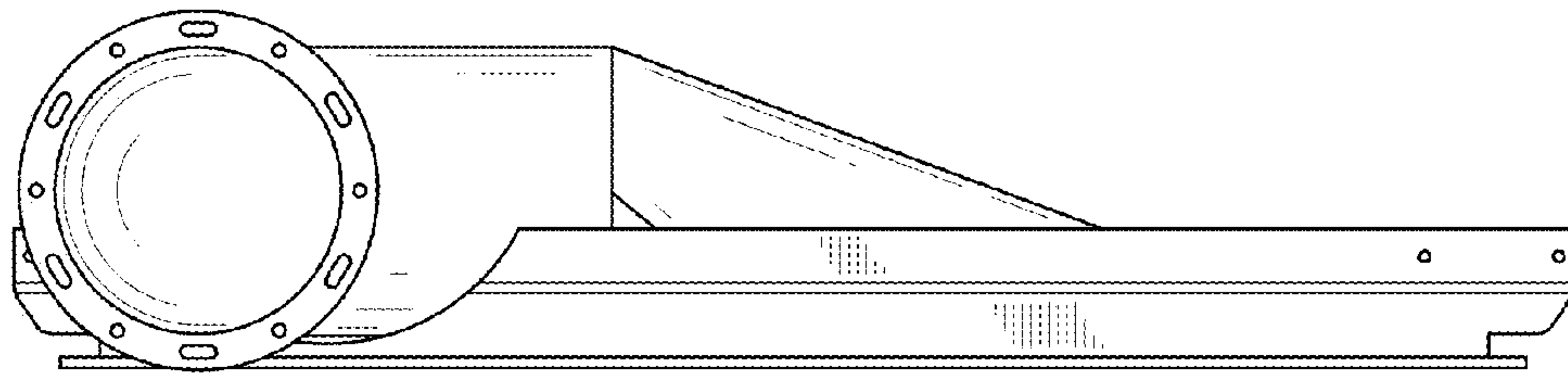


FIG.1

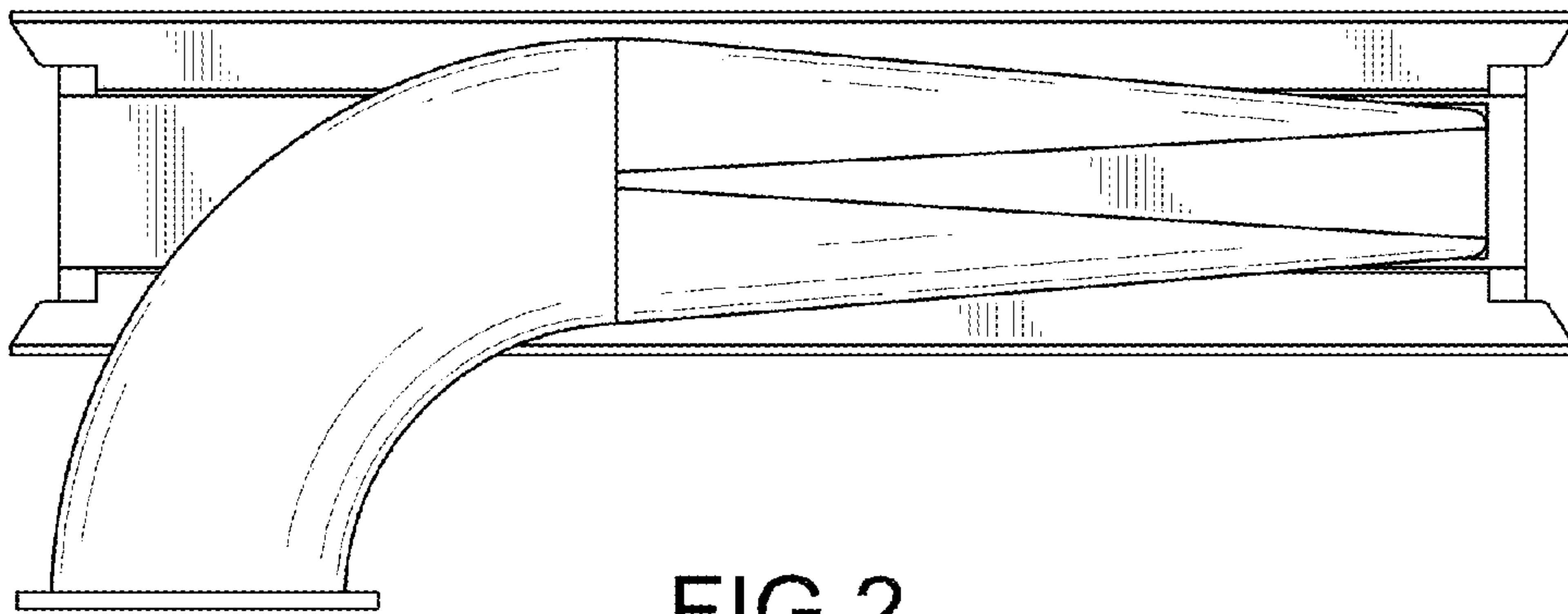


FIG.2

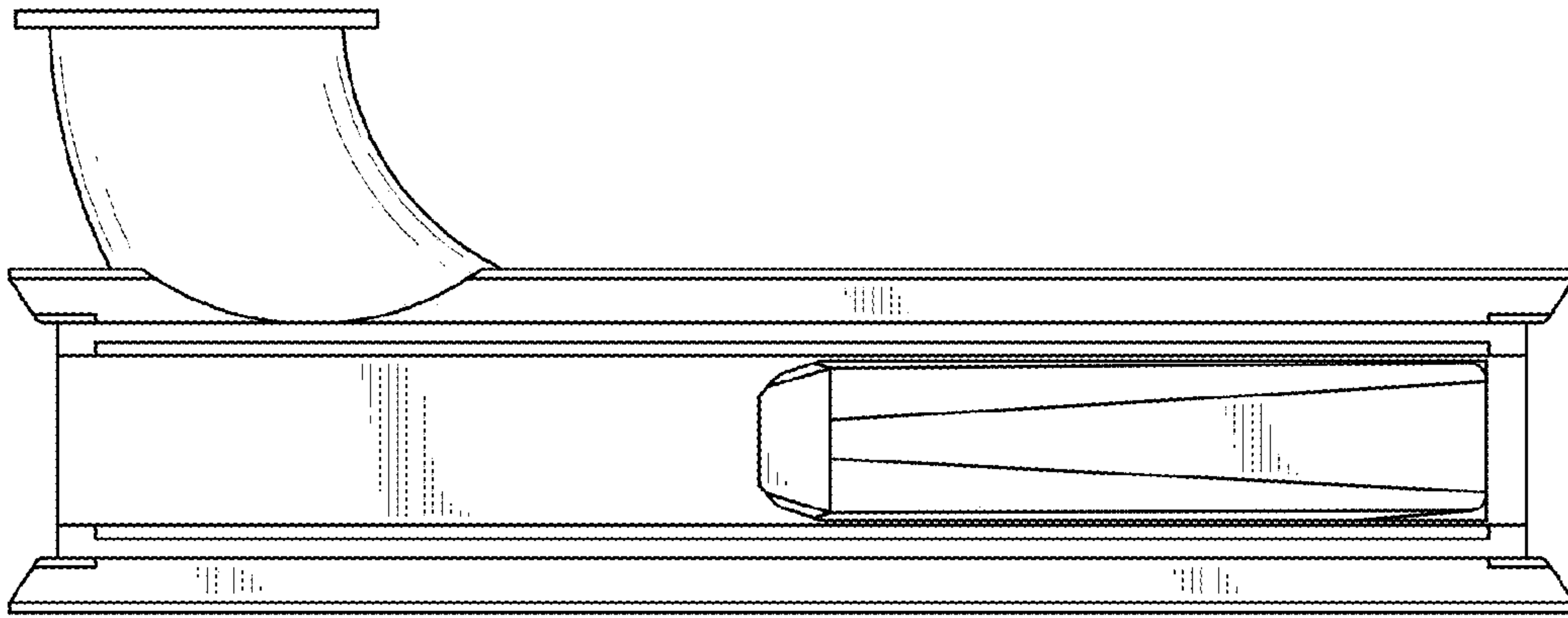


FIG.3

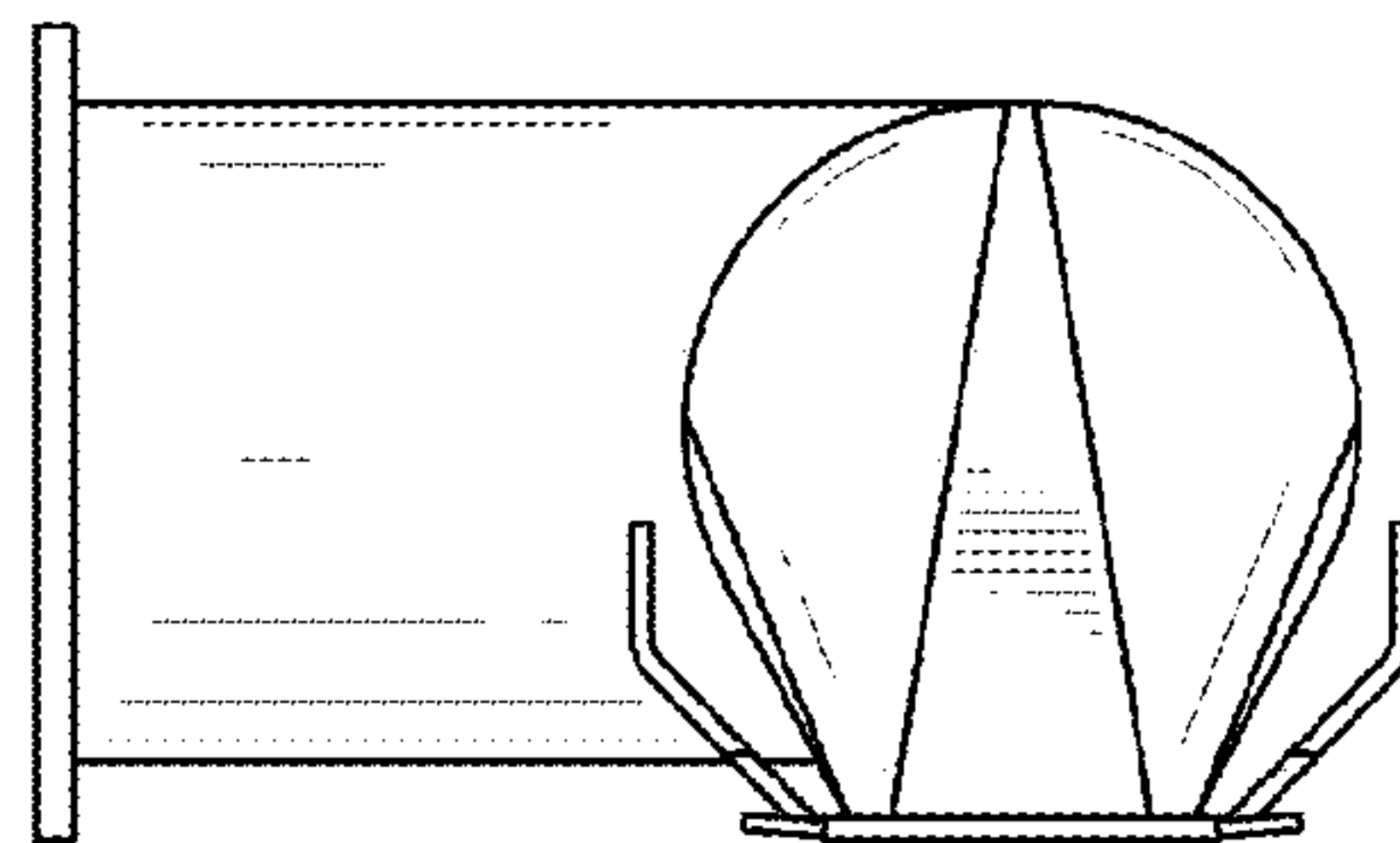


FIG.4

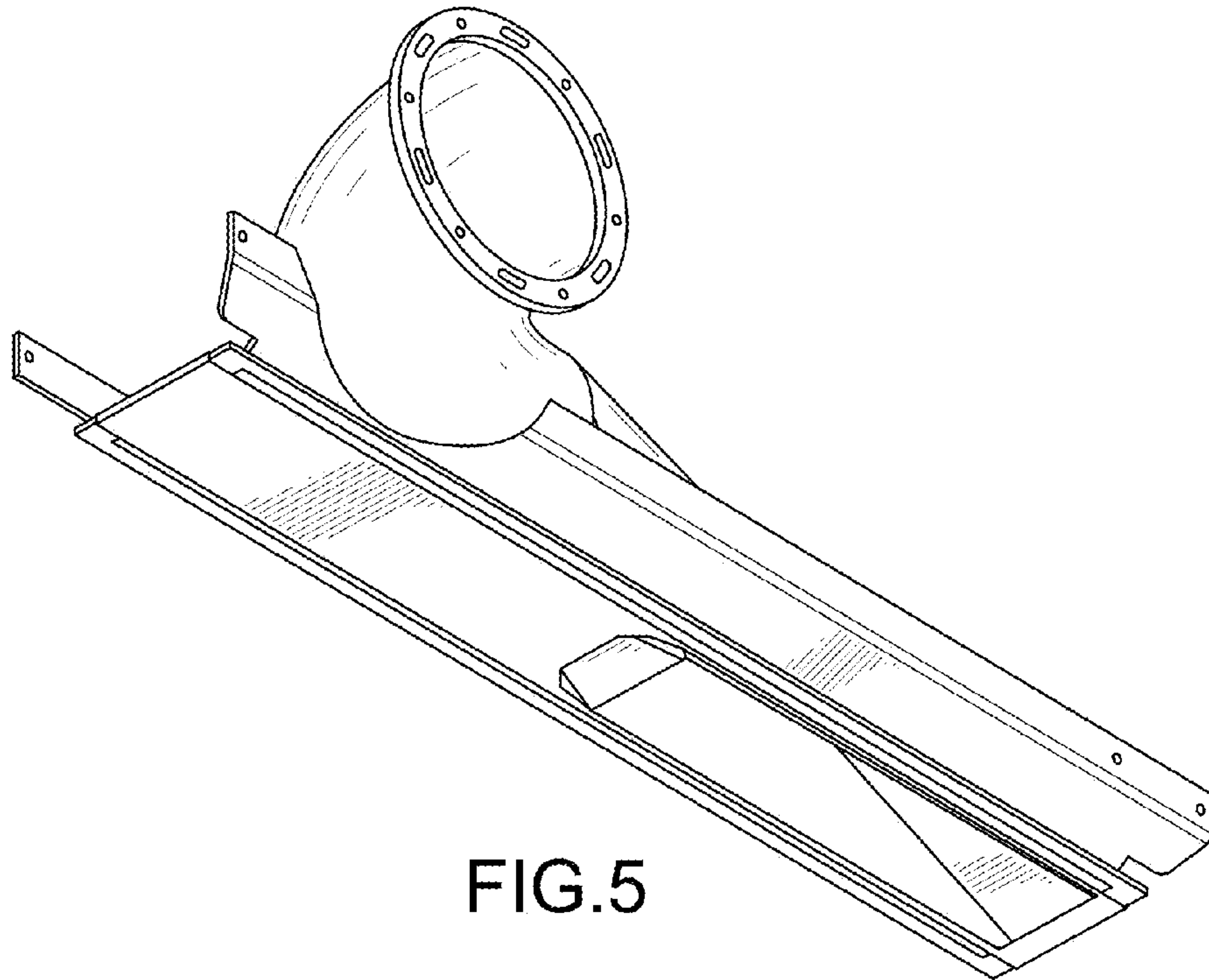


FIG. 5

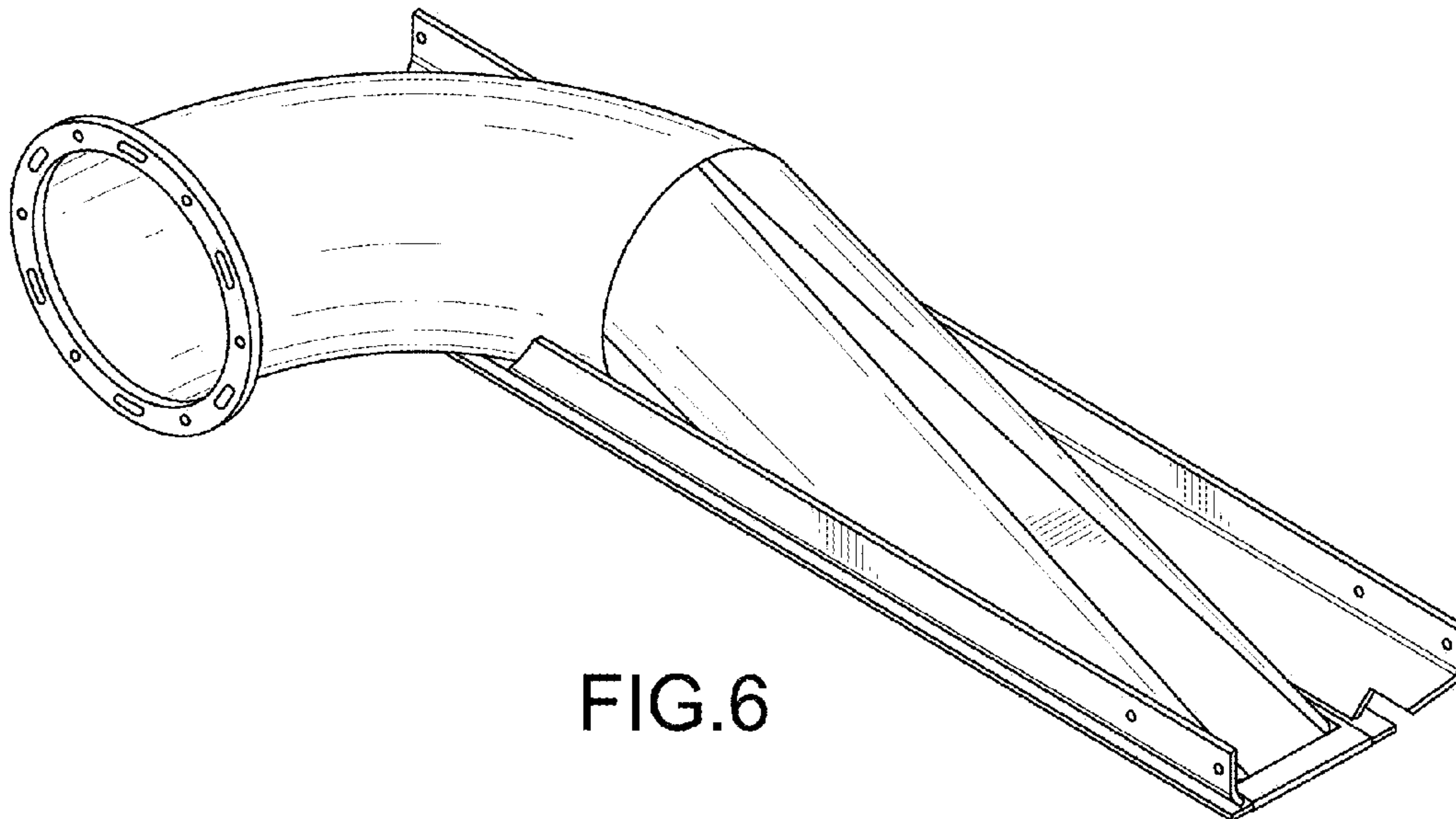


FIG. 6

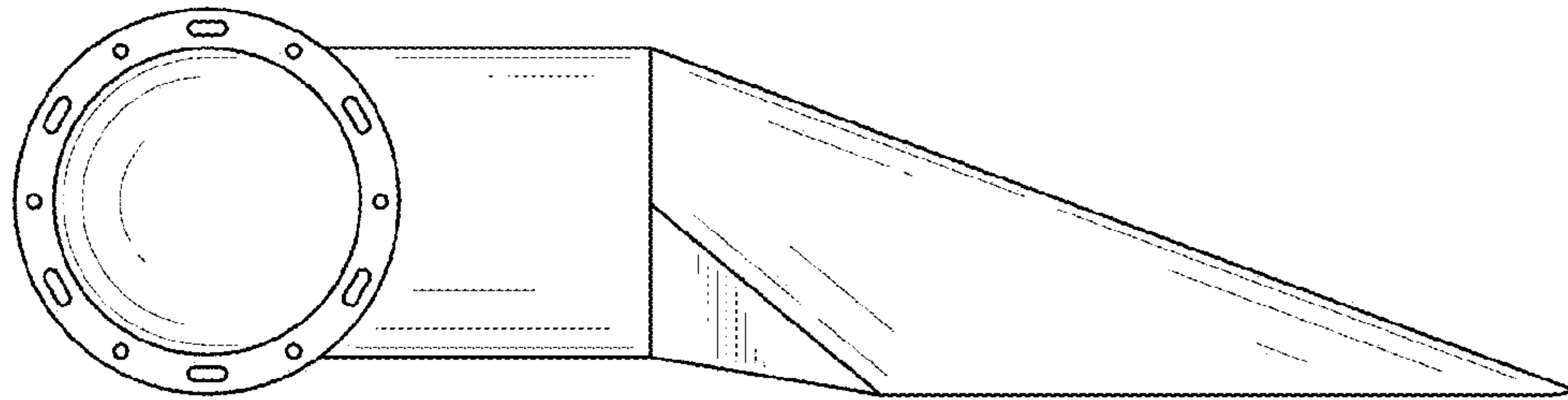


FIG. 7

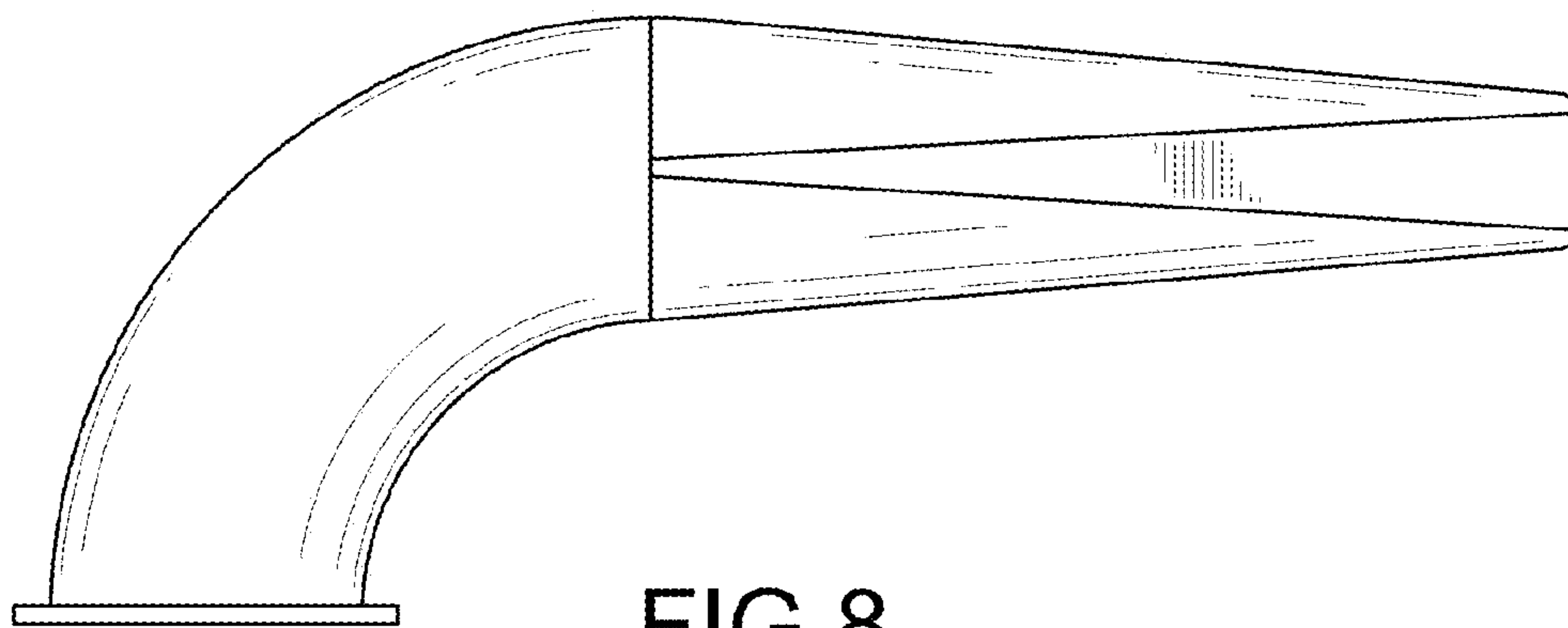


FIG. 8

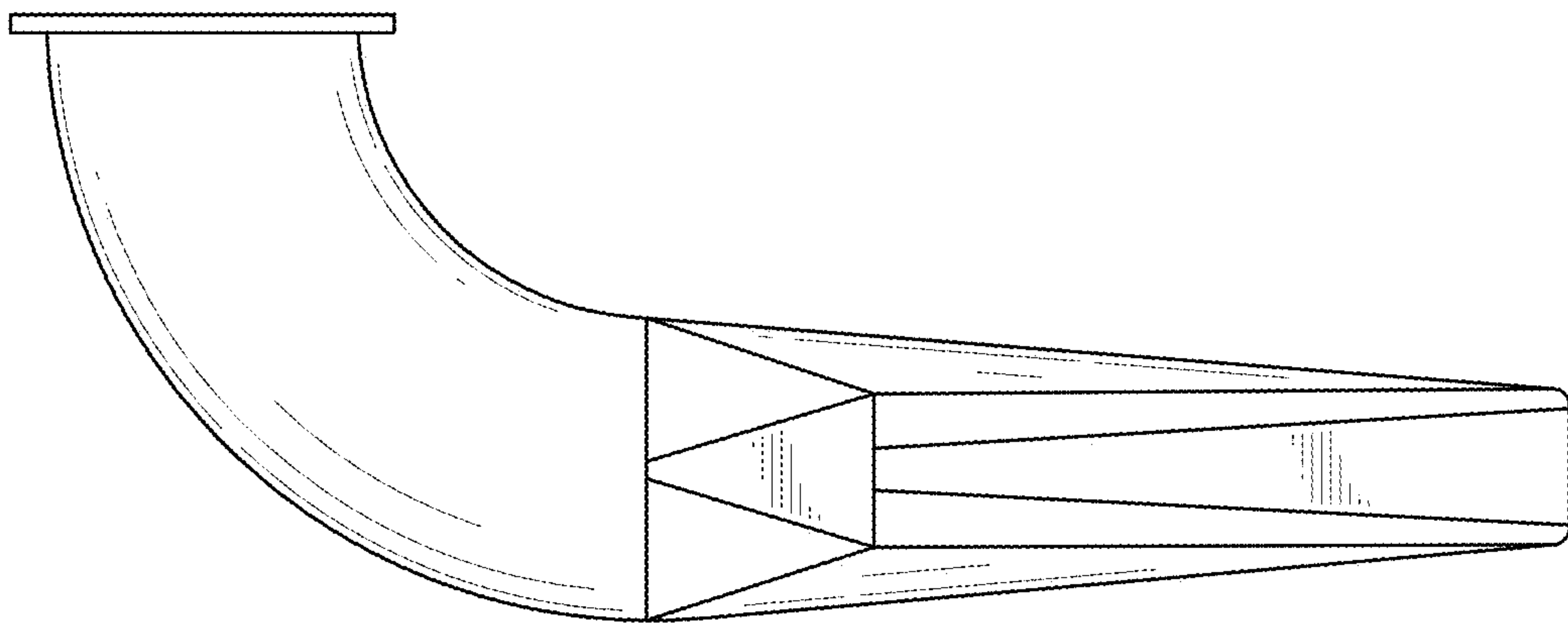


FIG. 9

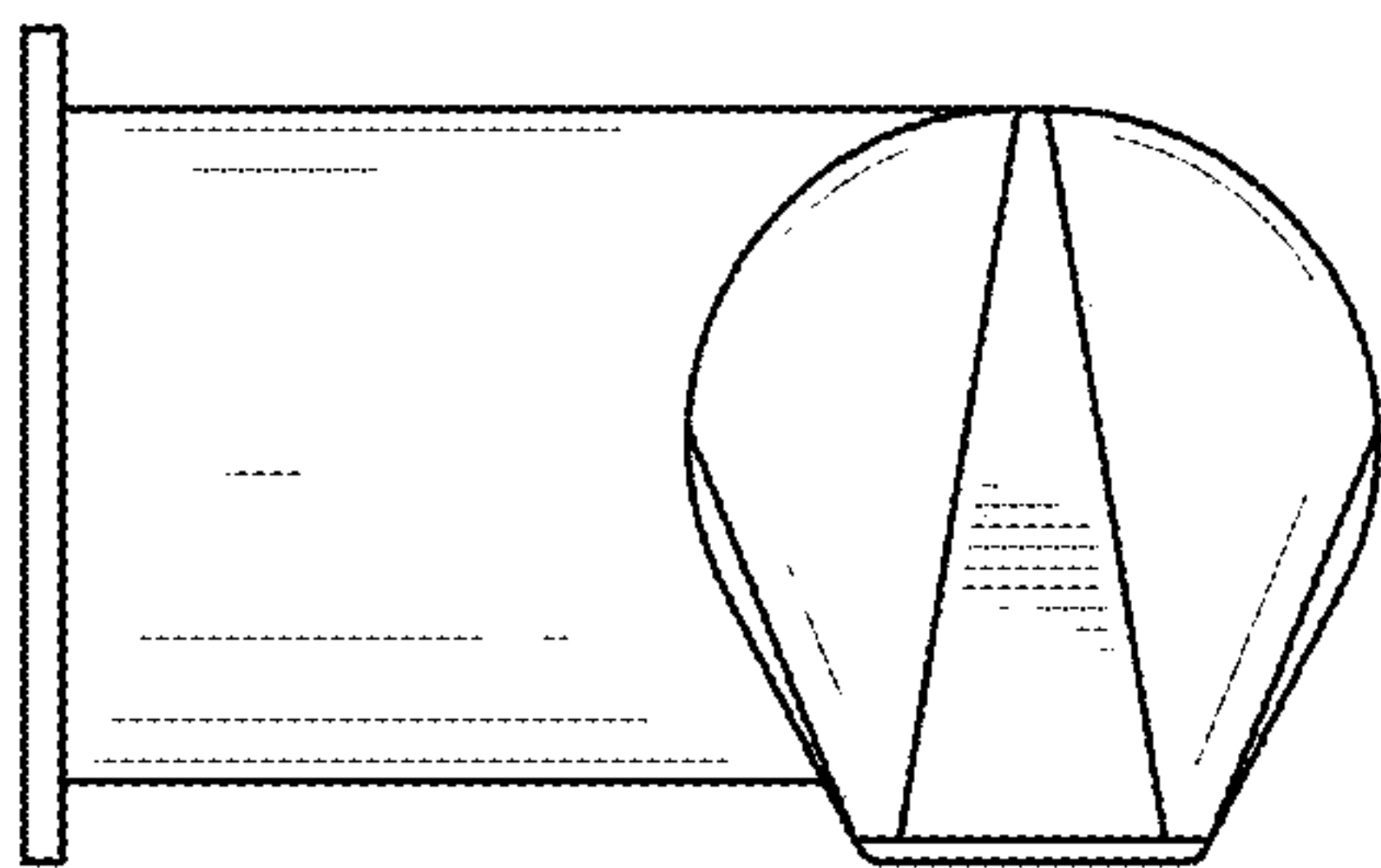


FIG. 10

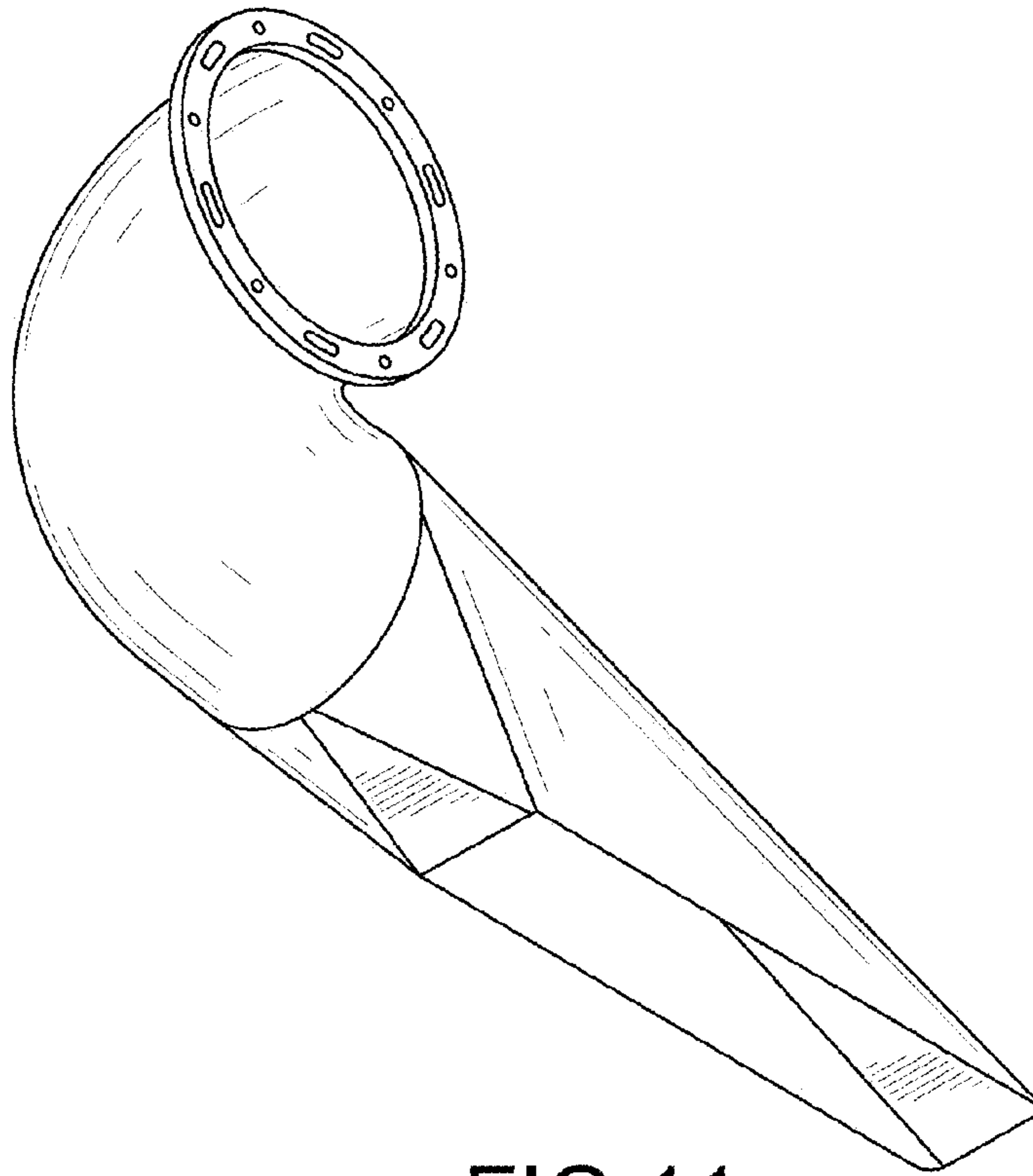


FIG. 11

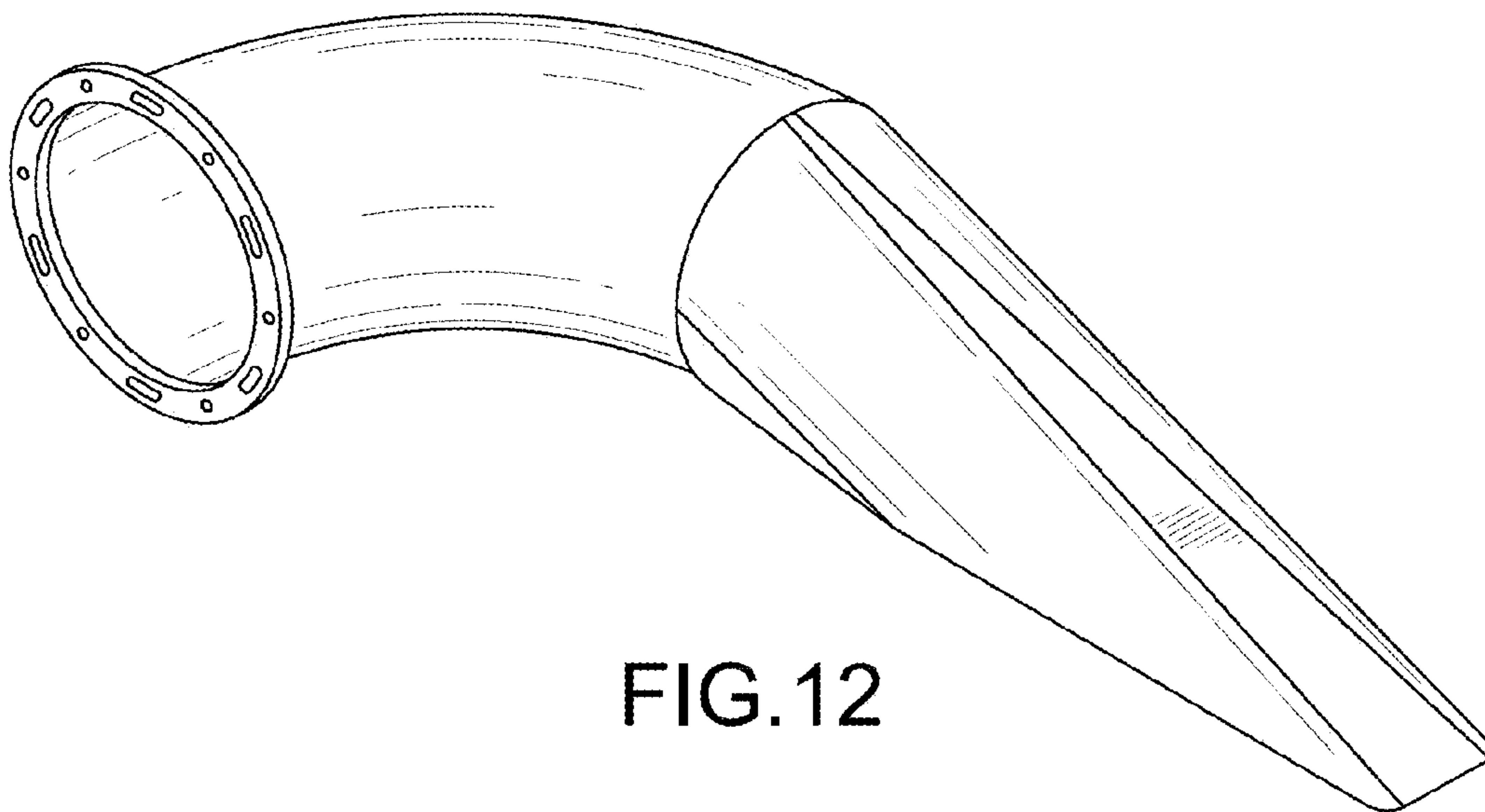


FIG. 12