



US00D721794S

(12) **United States Design Patent**
Manwaring et al.

(10) **Patent No.:** **US D721,794 S**
(45) **Date of Patent:** **** Jan. 27, 2015**

- (54) **END CAP**
- (71) Applicant: **Magna-Sonic Stress Testers, Inc.**,
Vernal, UT (US)
- (72) Inventors: **Kevin Manwaring**, Vernal, UT (US);
Kenneth John Ballash, Eagle Mountain,
UT (US)
- (73) Assignee: **Magna-Sonic Stress Testers, Inc.**,
Vernal, UT (US)
- (**) Term: **14 Years**
- (21) Appl. No.: **29/464,449**
- (22) Filed: **Aug. 16, 2013**
- (51) **LOC (10) Cl.** **23-01**
- (52) **U.S. Cl.**
USPC **D23/260**
- (58) **Field of Classification Search**
USPC D23/259, 260, 261, 262, 263, 264, 265;
138/89, 89.3, 90, 96 R, 96 T;
220/203.28, 203.07; D15/5, 7, 9;
D9/447, 452, 453; 4/286, 287, 288,
4/289, 293, 295

See application file for complete search history.

- D375,786 S * 11/1996 Morris D23/260
- 6,935,380 B2 * 8/2005 Rahimzadeh et al. 138/96 R
- D529,049 S * 9/2006 Chu D15/9
- D529,928 S * 10/2006 Chu D15/9
- D529,930 S * 10/2006 Chu D15/9
- D575,307 S * 8/2008 Chu D15/9
- D596,487 S * 7/2009 Batton et al. D9/447
- D617,349 S * 6/2010 Chu D15/9
- 7,784,551 B2 8/2010 Angman
- D649,165 S * 11/2011 Nam D15/9
- D652,845 S * 1/2012 Nam D15/9
- D676,943 S * 2/2013 Kluss et al. D23/262
- D678,344 S * 3/2013 Chu D15/9
- D678,347 S * 3/2013 Chu D15/9
- D693,923 S * 11/2013 Hernandez et al. D24/129
- D700,628 S * 3/2014 Chu D15/9
- D707,718 S * 6/2014 Gomez D15/7
- 8,784,161 B1 7/2014 Burleson

* cited by examiner

Primary Examiner — Eric Goodman

Assistant Examiner — Steven Czyz

(74) *Attorney, Agent, or Firm* — Workman Nydegger

(57) **CLAIM**

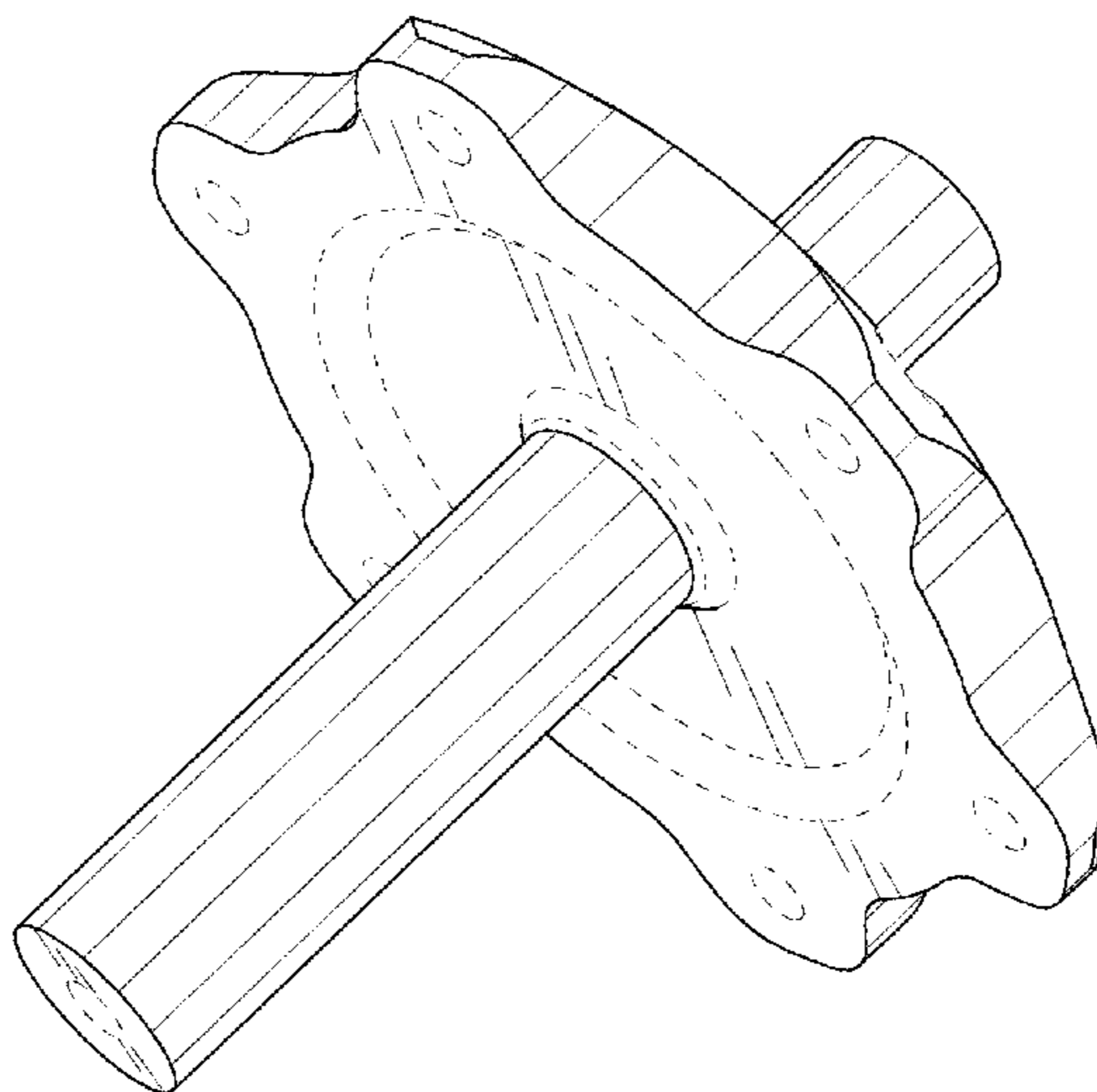
The ornamental design for an end cap, as shown and described.

DESCRIPTION

FIG. 1 is a perspective view of an end cap according to the present invention;
 FIG. 2 is a right elevational view thereof, the left side being a minor image;
 FIG. 3 is a top plan view thereof, the bottom being a mirror image;
 FIG. 4 is a front elevational view thereof; and,
 FIG. 5 is a back elevational view thereof.
 The broken line showing is included for the purpose of illustrating portions of the article and forms no part of the claimed design.

1 Claim, 3 Drawing Sheets

- (56) **References Cited**
U.S. PATENT DOCUMENTS
- 2,159,287 A 5/1939 Morgan
- 2,211,183 A 8/1940 Tytus
- 3,608,406 A 9/1971 Paysinger
- 3,691,882 A 9/1972 Massey
- 3,717,055 A 2/1973 Pendleton
- 4,665,780 A 5/1987 Plaquin
- 4,761,104 A 8/1988 Hillestad
- 4,854,200 A 8/1989 Mynhier
- 4,954,023 A 9/1990 Bromley
- 5,062,187 A 11/1991 Bromley
- 5,433,130 A 7/1995 Smith



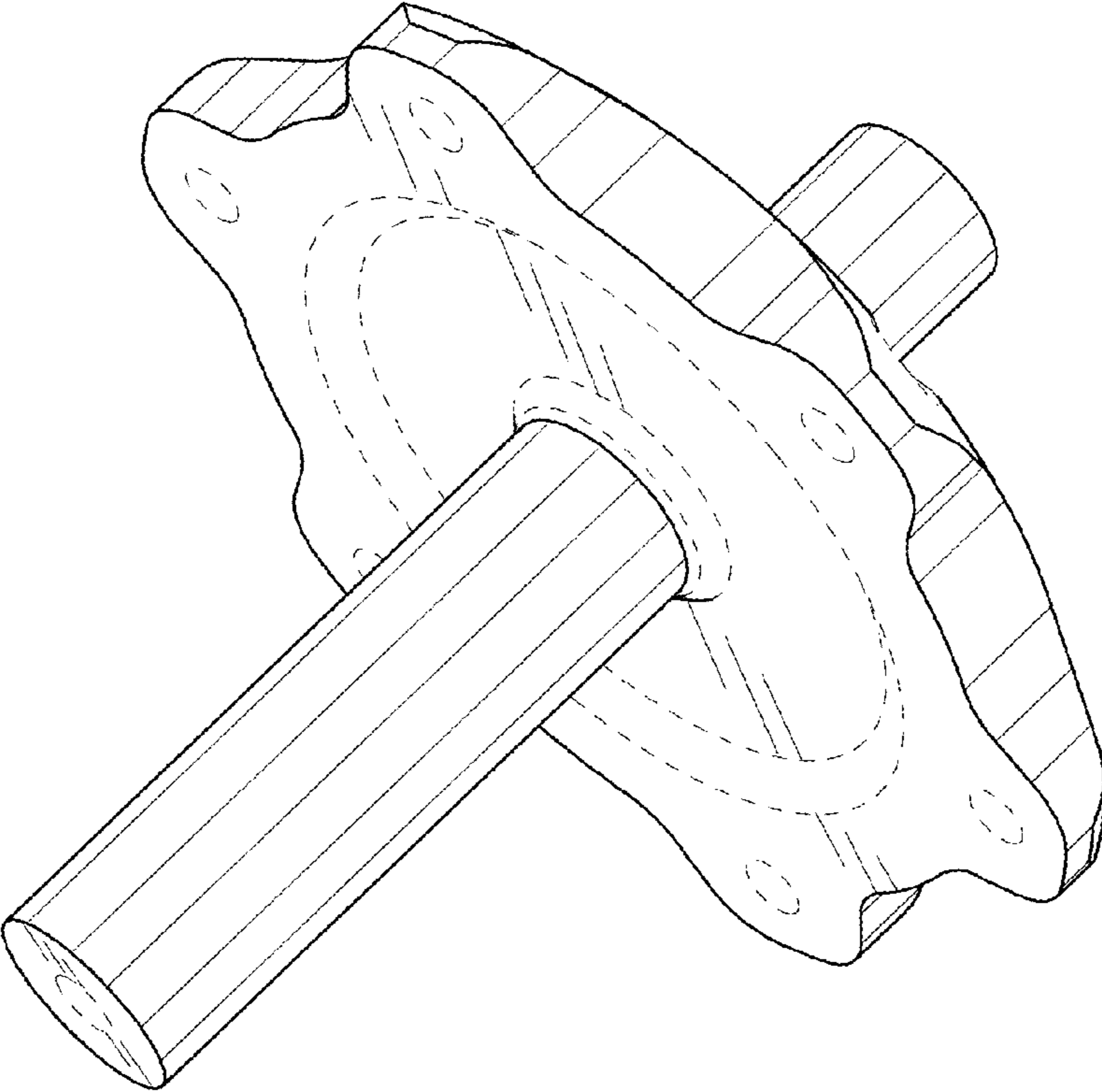


FIG. 1

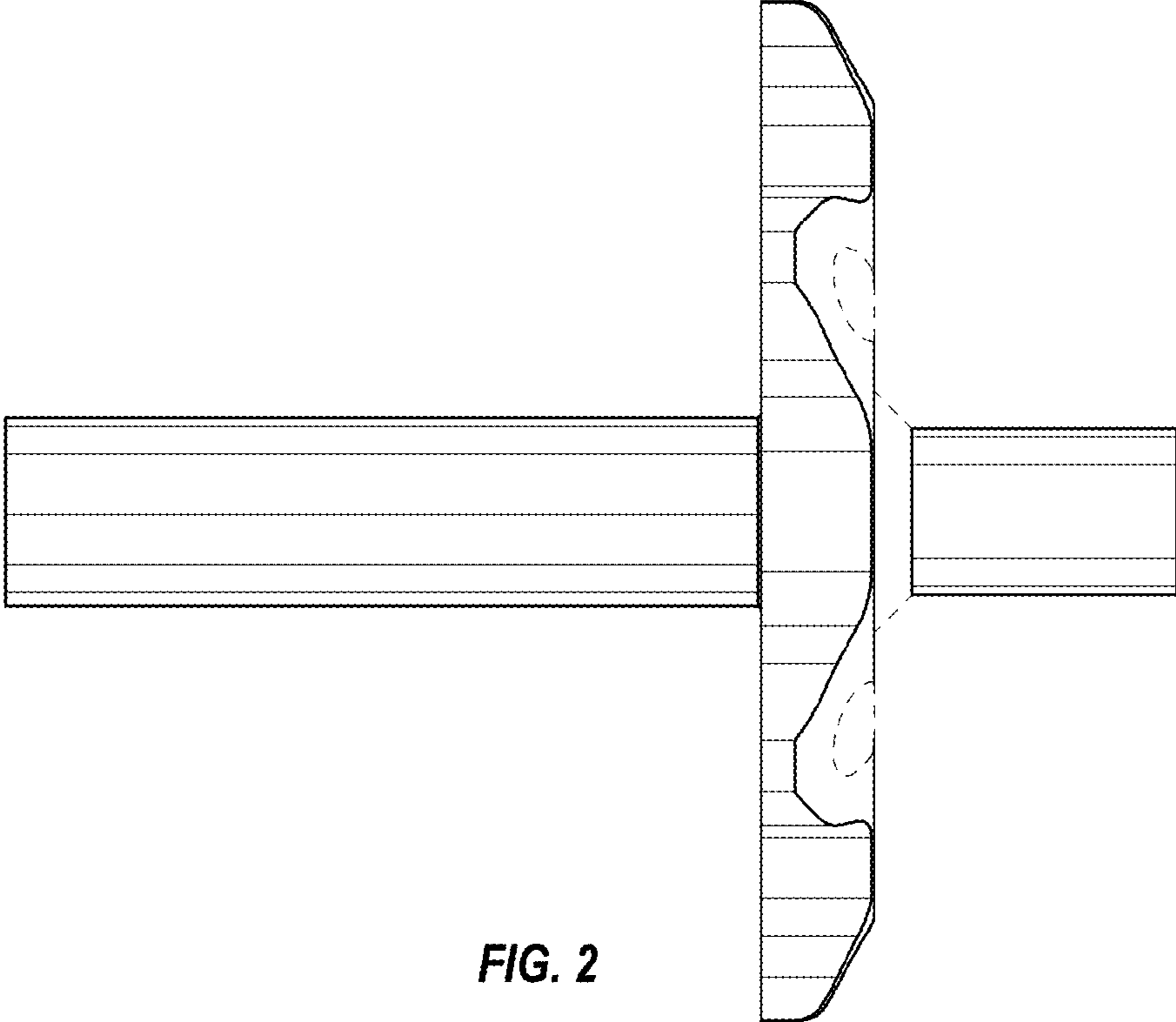


FIG. 2

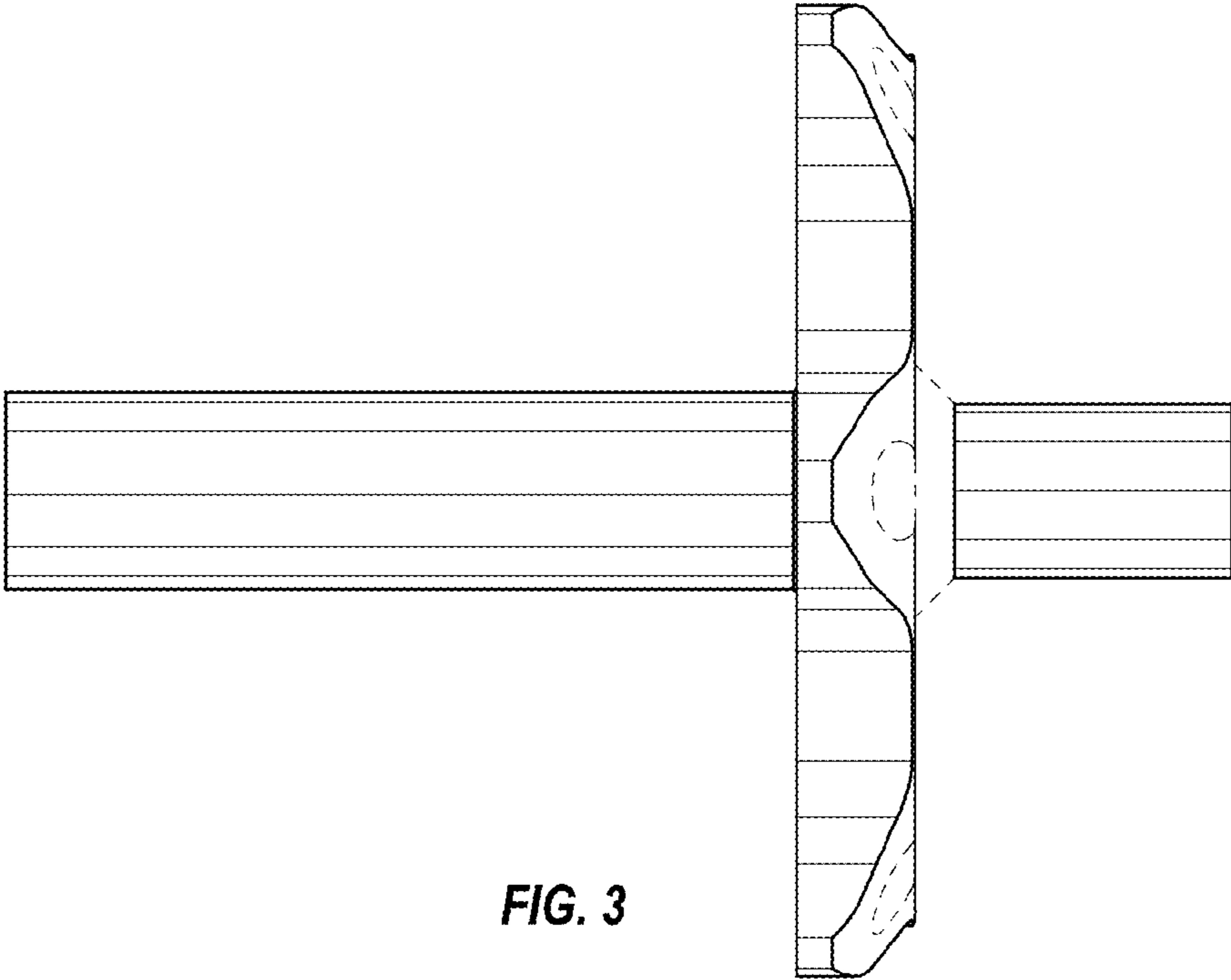


FIG. 3

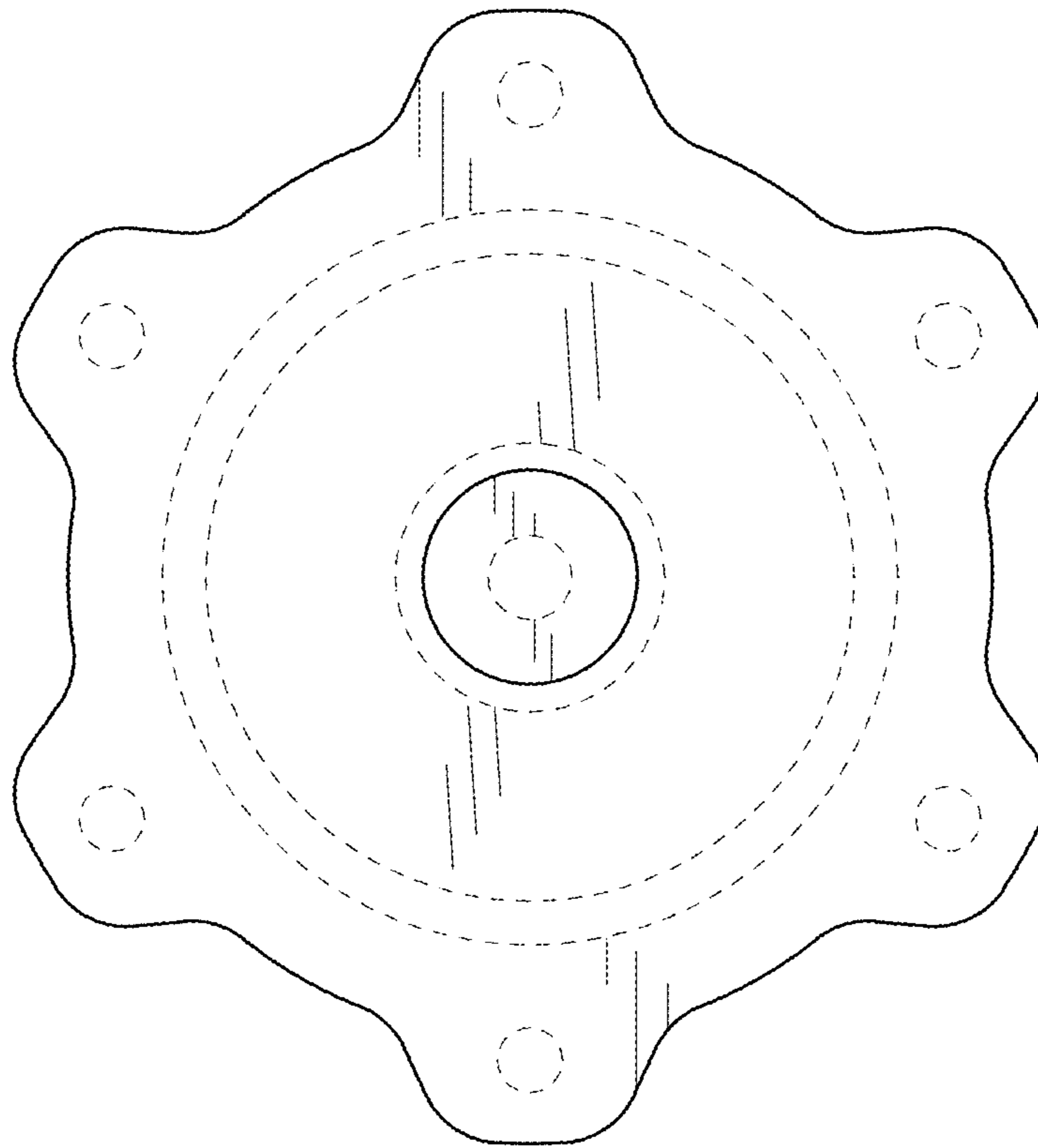


FIG. 4

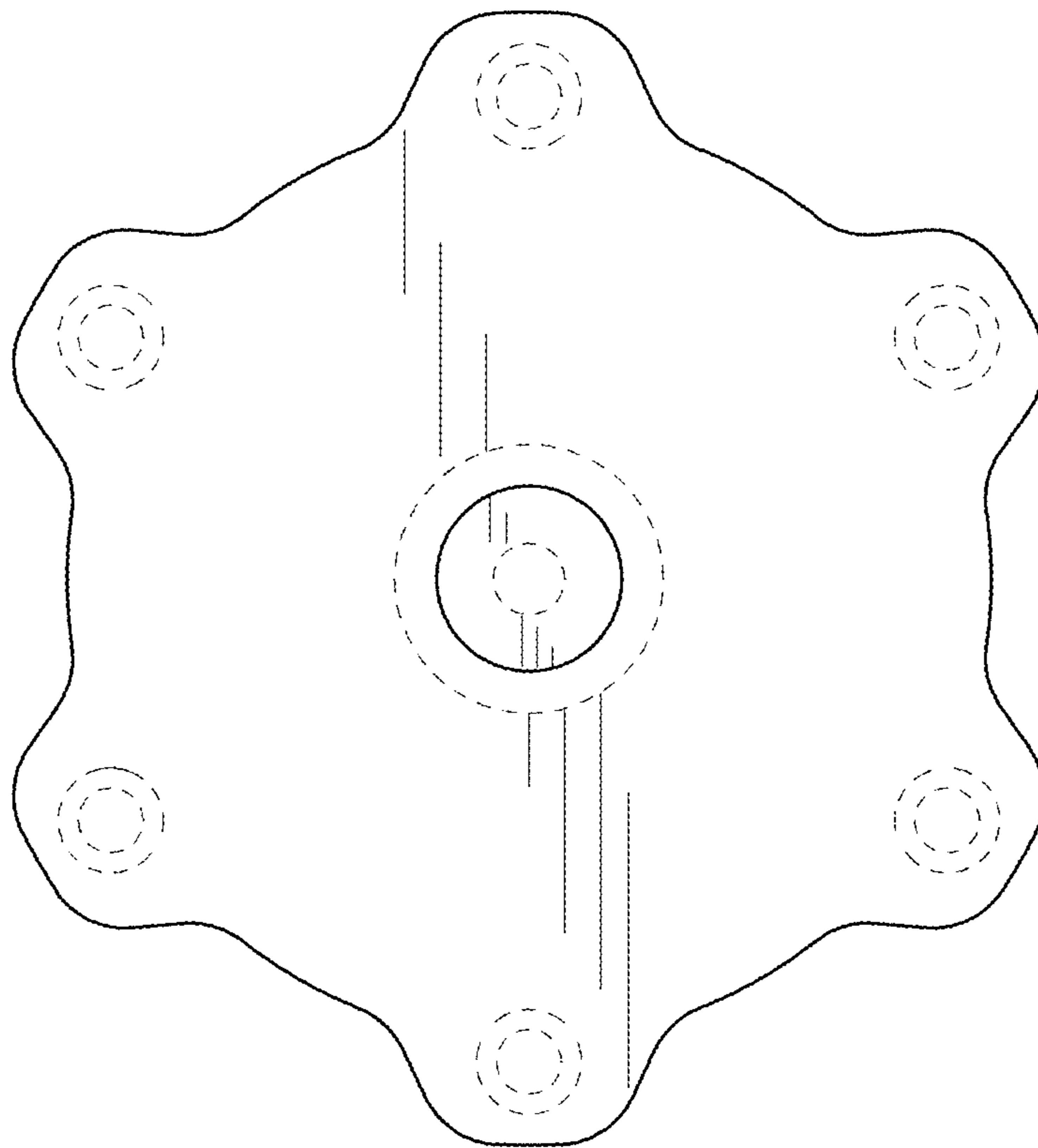


FIG. 5