



US00D721792S

(12) **United States Design Patent**  
**McNinch**

(10) **Patent No.:** **US D721,792 S**  
(45) **Date of Patent:** **\*\* Jan. 27, 2015**

(54) **FAUCET BODY**

(71) Applicant: **Masco Corporation of Indiana,**  
Indianapolis, IN (US)  
(72) Inventor: **Adriana Teresa McNinch,** Westfield, IN  
(US)  
(73) Assignee: **Masco Corporation of Indiana,**  
Indianapolis, IN (US)  
(\*\*) Term: **14 Years**

(21) Appl. No.: **29/489,021**

(22) Filed: **Apr. 25, 2014**

(51) **LOC (10) Cl.** ..... **23-01**

(52) **U.S. Cl.**  
USPC ..... **D23/255**

(58) **Field of Classification Search**  
CPC ..... E03C 1/04; E03C 1/0401; E03C 1/0402;  
E03C 1/0404  
USPC ..... D23/238, 241-243, 249, 255, 257  
See application file for complete search history.

(56) **References Cited**

U.S. PATENT DOCUMENTS

D608,859 S \* 1/2010 Schoenherr et al. .... D23/242  
D682,991 S \* 5/2013 Liao ..... D23/242  
D713,511 S \* 9/2014 Potter et al. .... D23/257

\* cited by examiner

*Primary Examiner* — Robert Delehanty  
(74) *Attorney, Agent, or Firm* — Edgar A. Zarins; Nirav D. Parikh

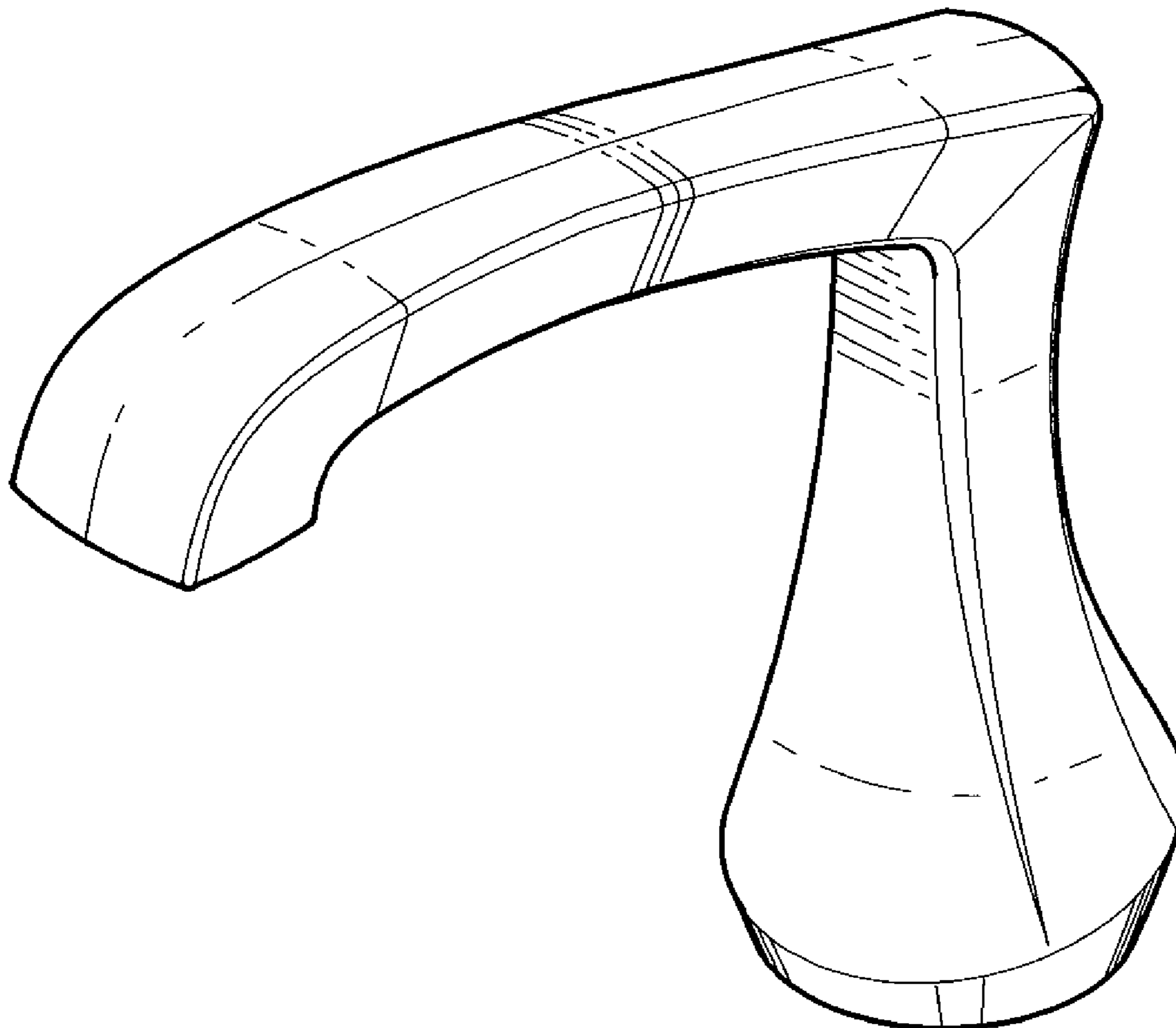
(57) **CLAIM**

The ornamental design for a faucet body, as shown and described.

**DESCRIPTION**

FIG. 1 is a perspective view of a faucet body showing my new design;  
FIG. 2 is a second perspective view thereof;  
FIG. 3 is a top plan view thereof;  
FIG. 4 is a bottom view thereof;  
FIG. 5 is a front elevational view thereof;  
FIG. 6 is a right side view thereof; and,  
FIG. 7 is a left side view thereof.

**1 Claim, 2 Drawing Sheets**



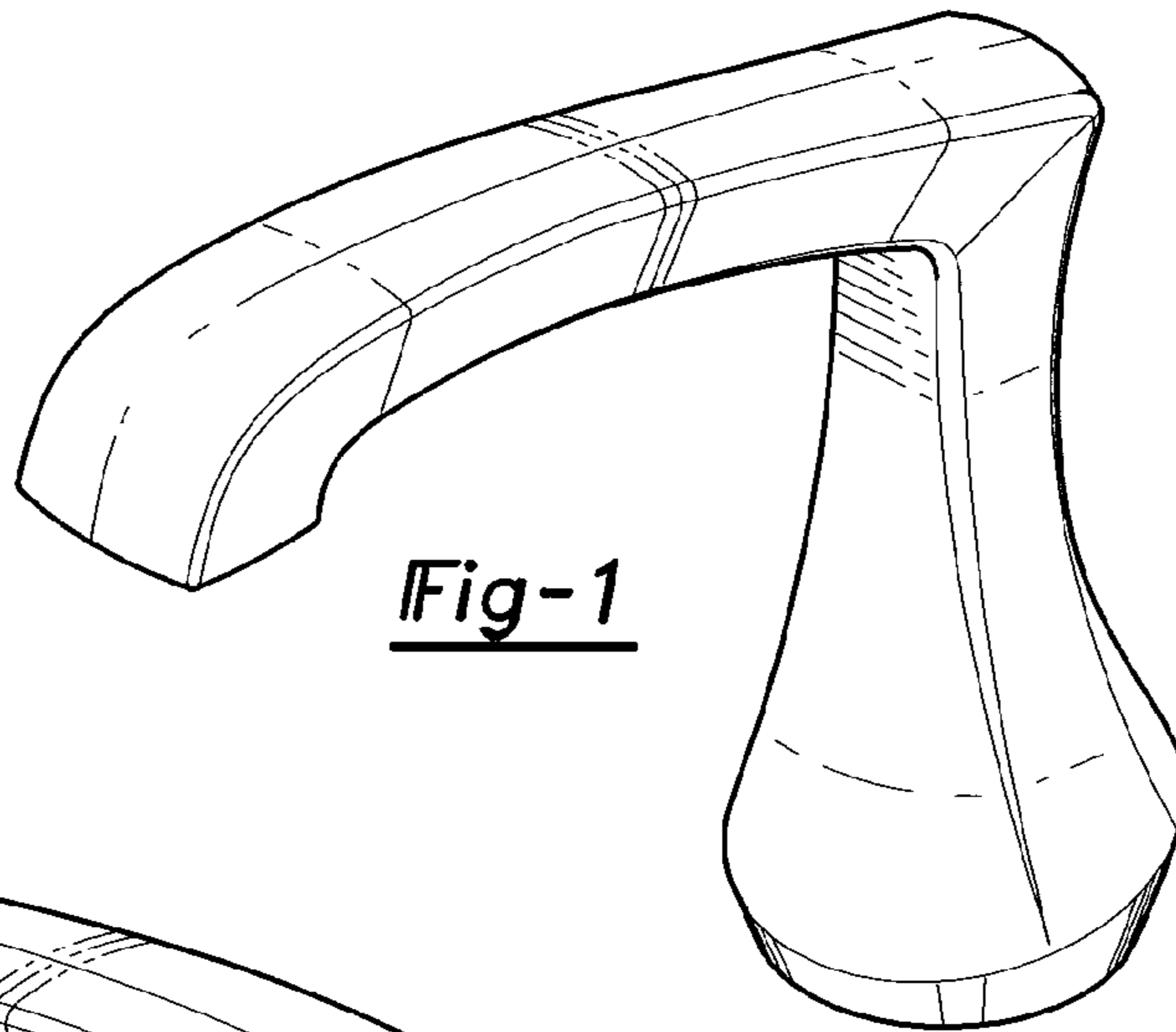


Fig-1

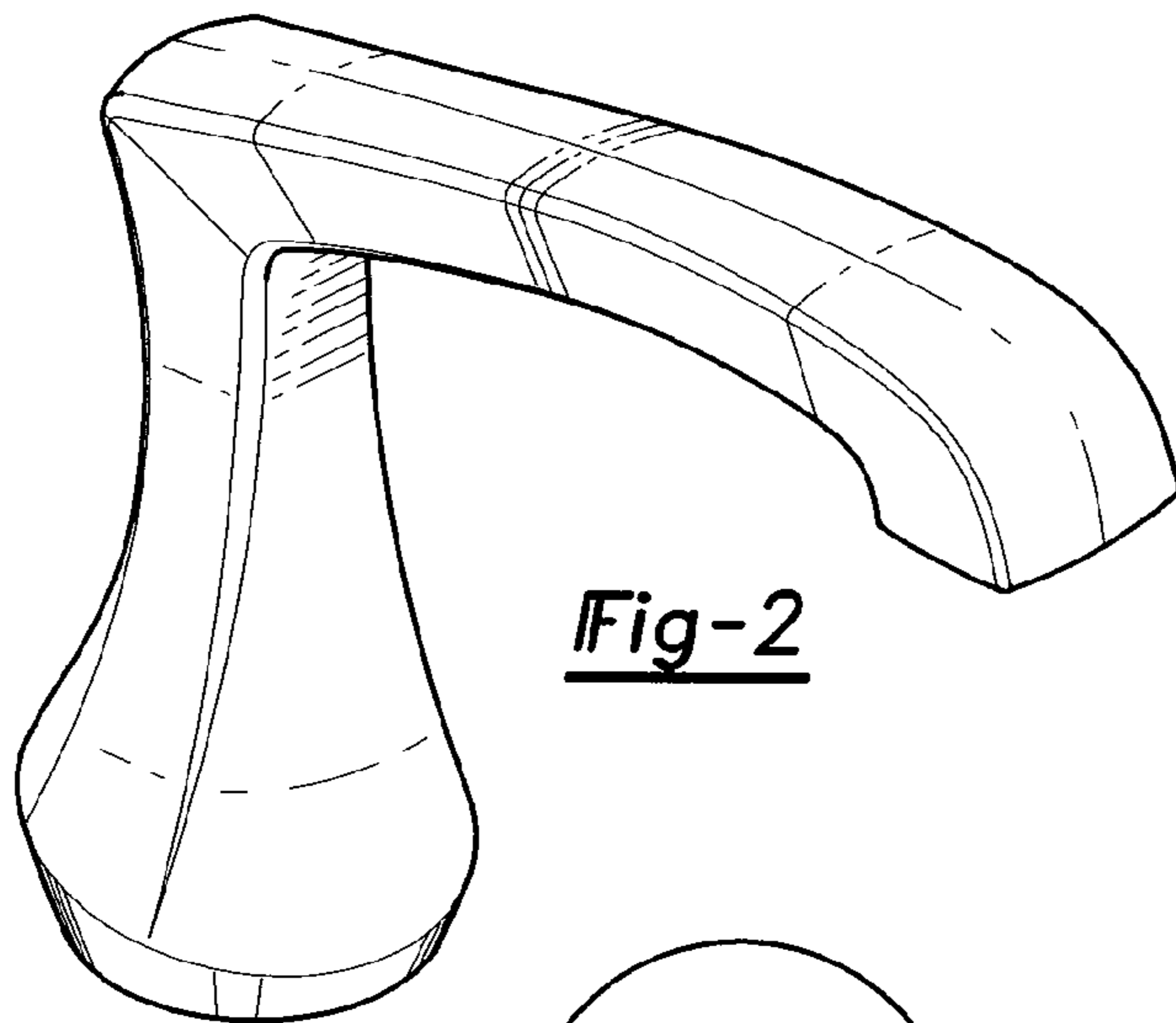


Fig-2

Fig-4

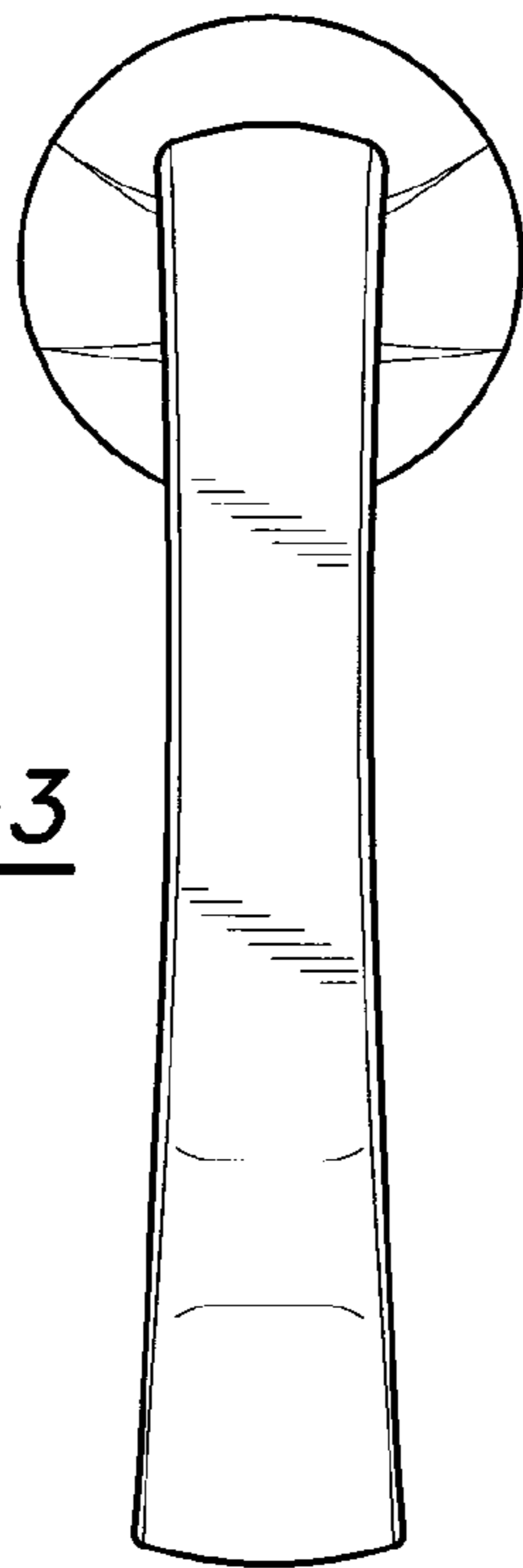
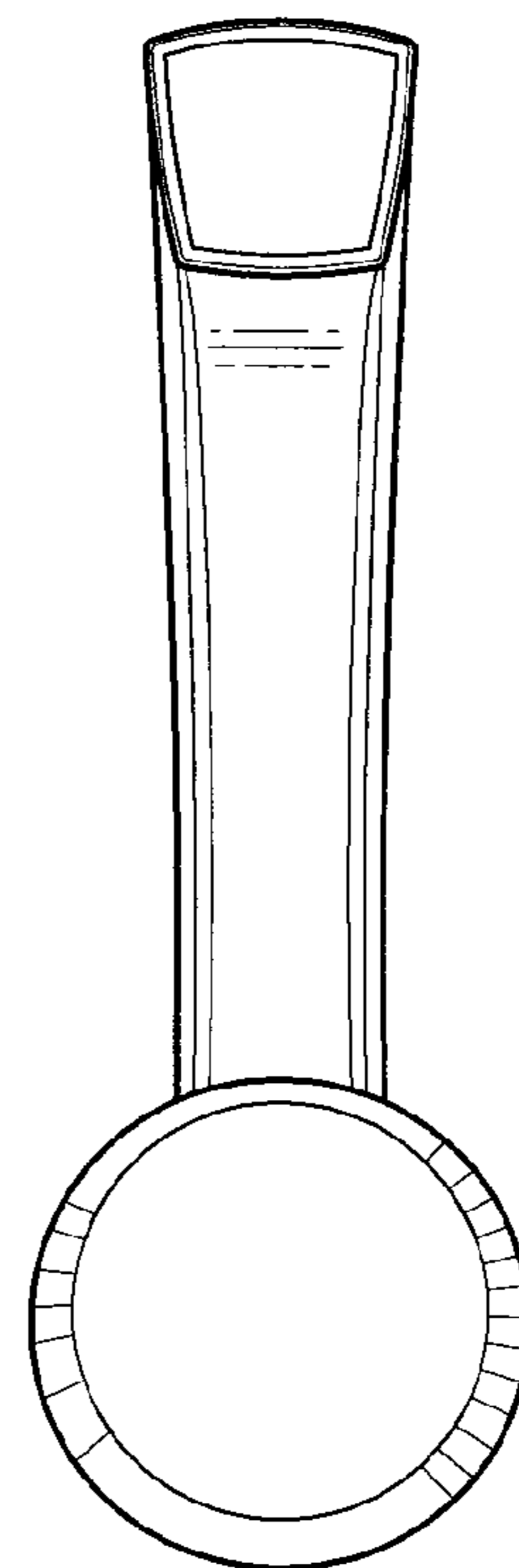


Fig-3



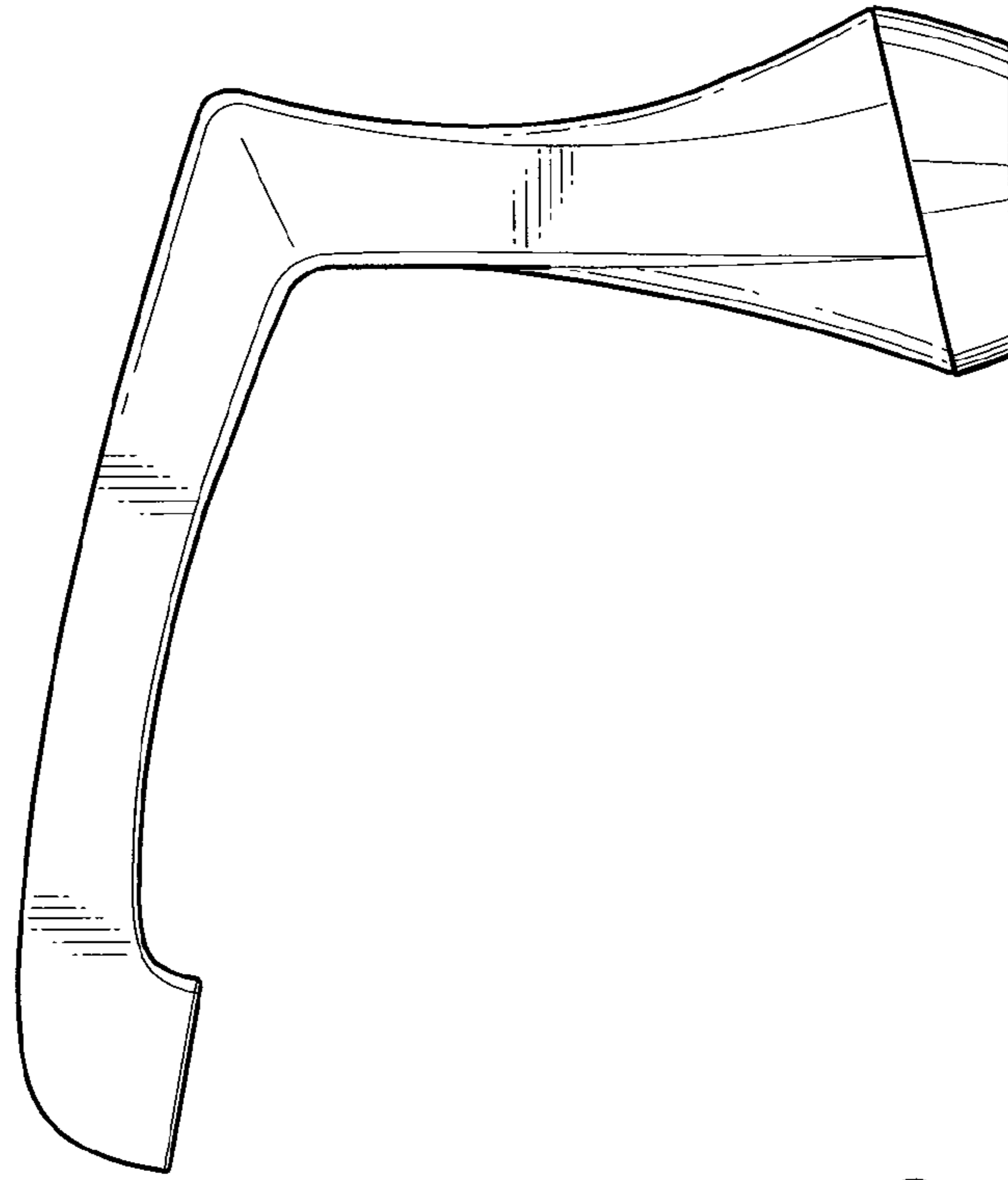


Fig-7

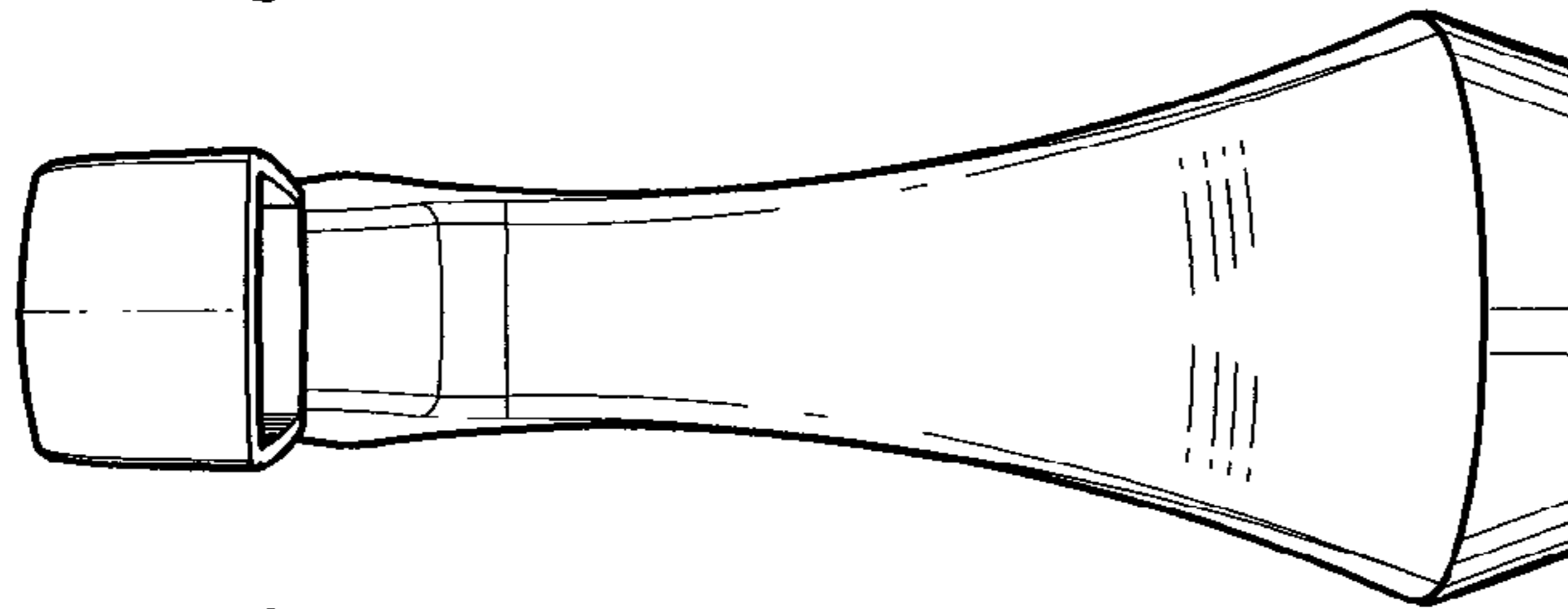


Fig-5

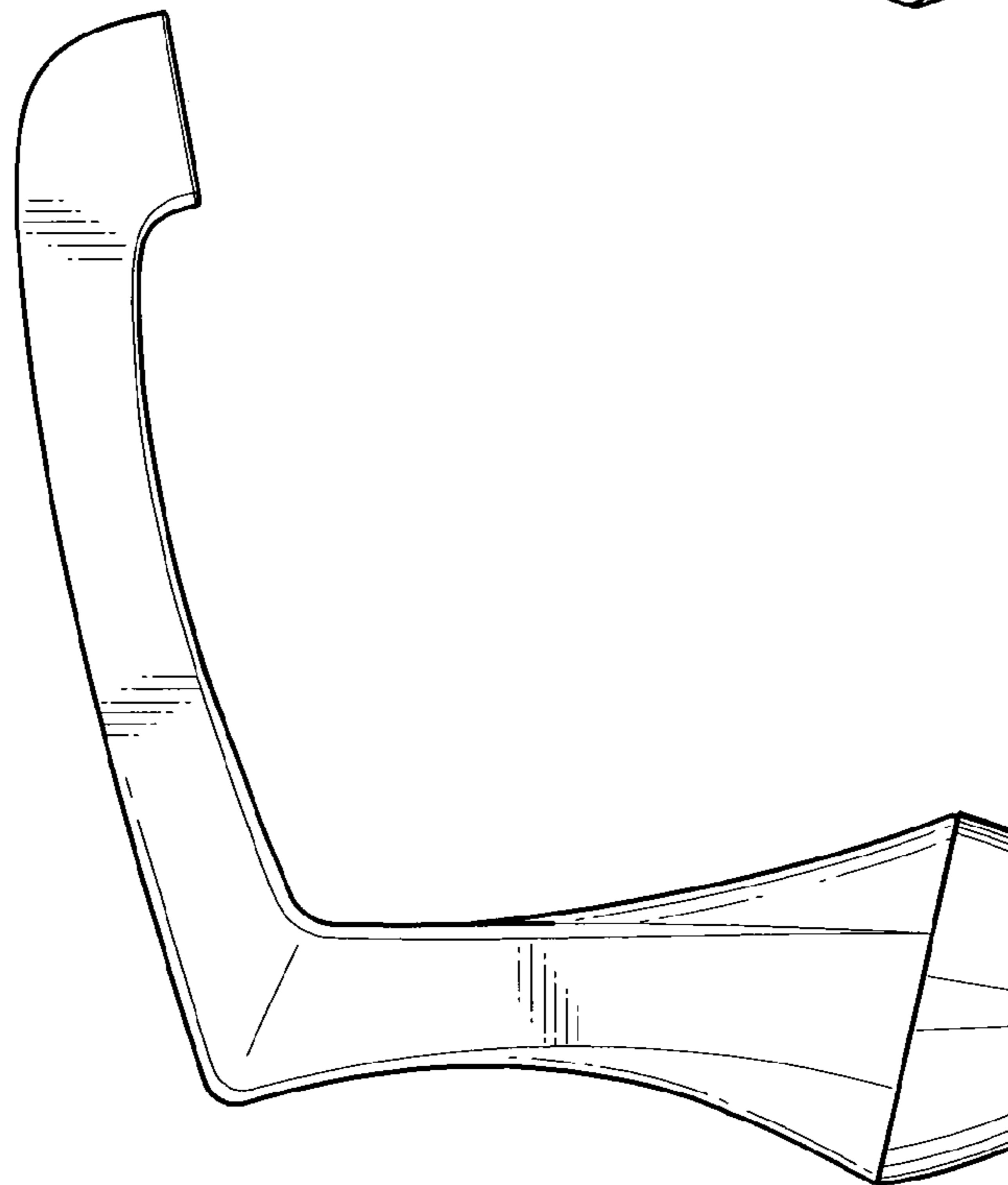


Fig-6