

US00D721791S

(12) **United States Design Patent**
Bahler

(10) **Patent No.:** **US D721,791 S**
(45) **Date of Patent:** **** Jan. 27, 2015**

(54) **FAUCET HANDLE**

(56) **References Cited**

(71) Applicant: **Masco Corporation of Indiana,**
Indianapolis, IN (US)

U.S. PATENT DOCUMENTS

(72) Inventor: **Jordan Renee Bahler,** Westfield, IN
(US)

D363,764 S * 10/1995 Starck D23/252
D601,682 S * 10/2009 Schoenherr et al. D23/328
D673,651 S * 1/2013 Uhl D23/238
D712,514 S * 9/2014 Citterio D23/238

(73) Assignee: **Masco Corporation of Indiana,**
Indianapolis, IN (US)

* cited by examiner

(**) Term: **14 Years**

Primary Examiner — Robert Delehanty

(74) *Attorney, Agent, or Firm* — Edgar A. Zarins; Nirav D. Parikh

(21) Appl. No.: **29/488,638**

(57) **CLAIM**

The ornamental design for a faucet handle, as shown and described.

(22) Filed: **Apr. 22, 2014**

DESCRIPTION

(51) **LOC (10) Cl.** **23-01**

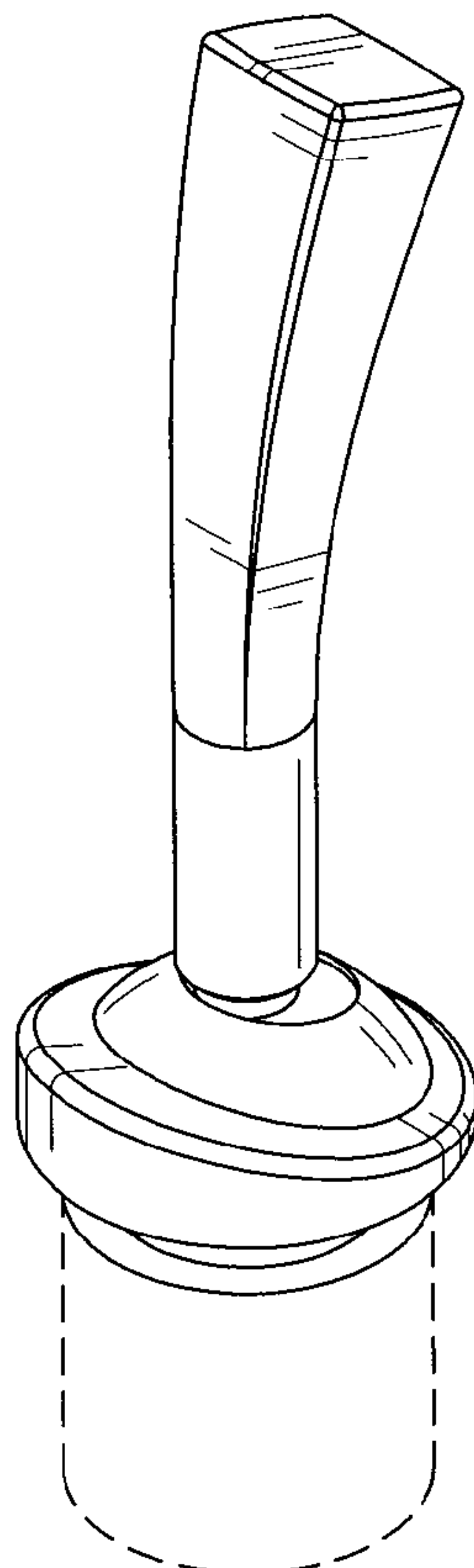
(52) **U.S. Cl.**
USPC **D23/252**

(58) **Field of Classification Search**
CPC E03C 1/04; E03C 1/0401; E03C 1/0402;
E03C 1/0404
USPC D23/238, 241–243, 249, 250, 252

FIG. 1 is a perspective view of a faucet handle showing my new design;
FIG. 2 is a first side view thereof;
FIG. 3 is a second side view thereof;
FIG. 4 is a rear view thereof;
FIG. 5 is a front view thereof;
FIG. 6 is a top view thereof; and,
FIG. 7 is a bottom view thereof.
The broken lines showing portions of the handle form no part of the claimed design.

See application file for complete search history.

1 Claim, 2 Drawing Sheets



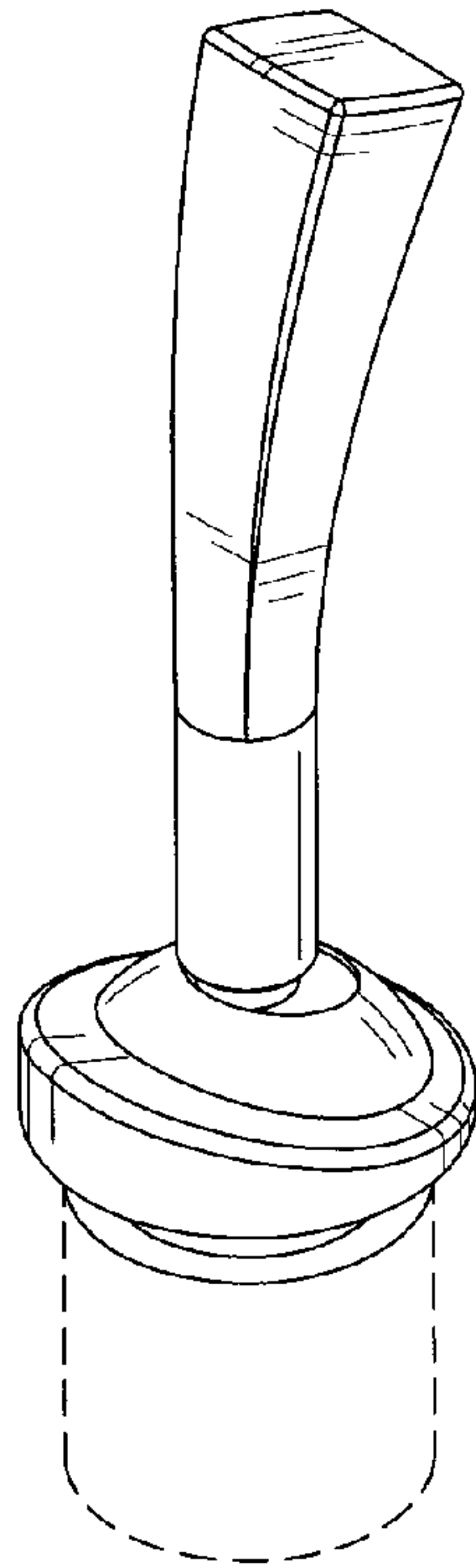


Fig-1

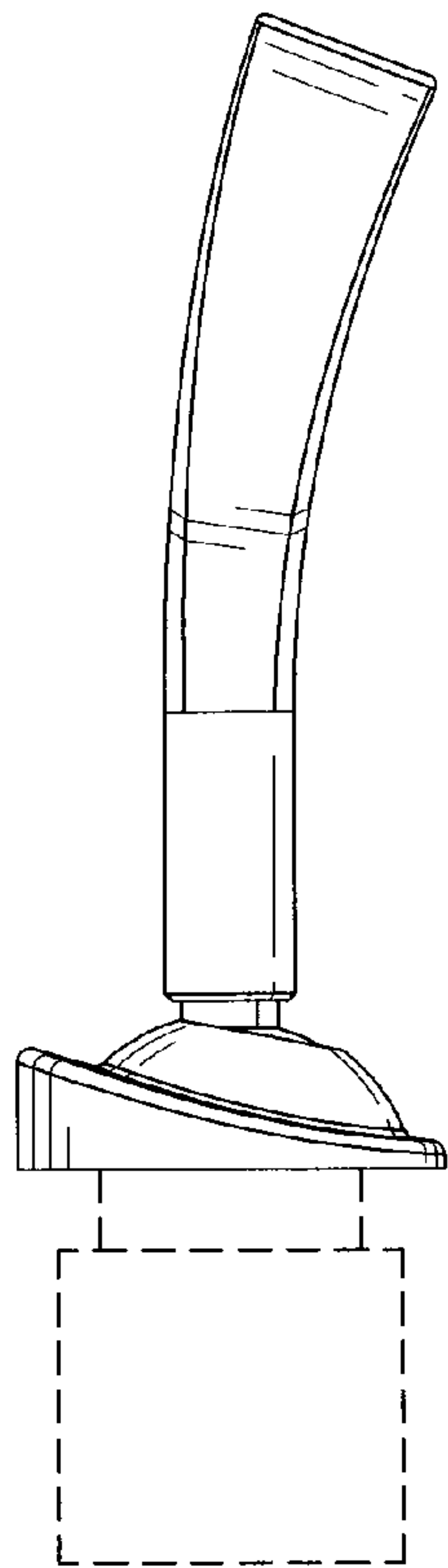


Fig-2

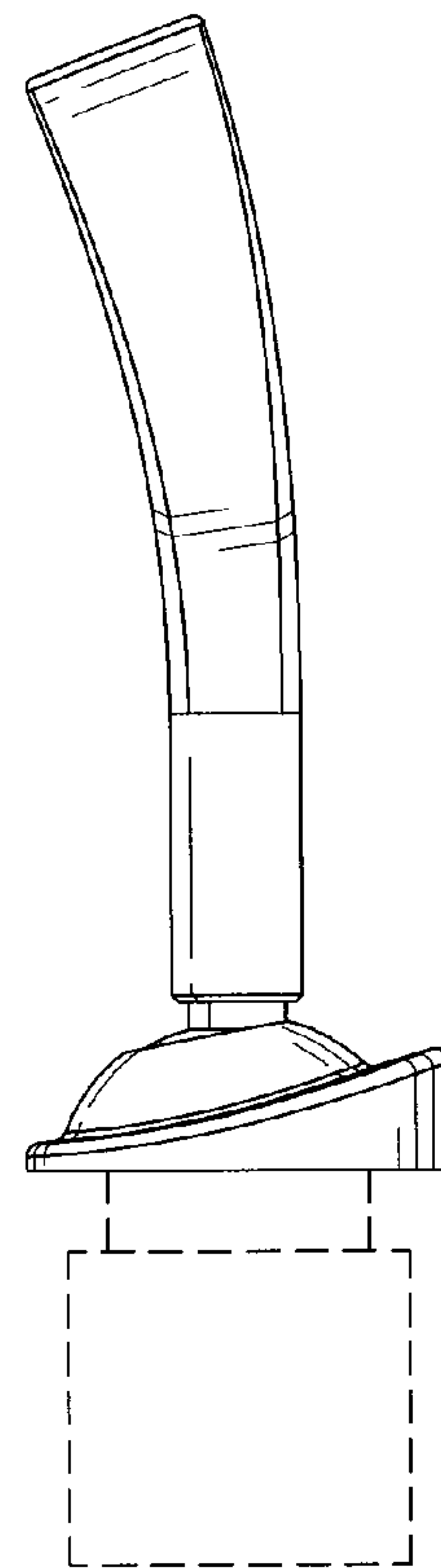


Fig-3

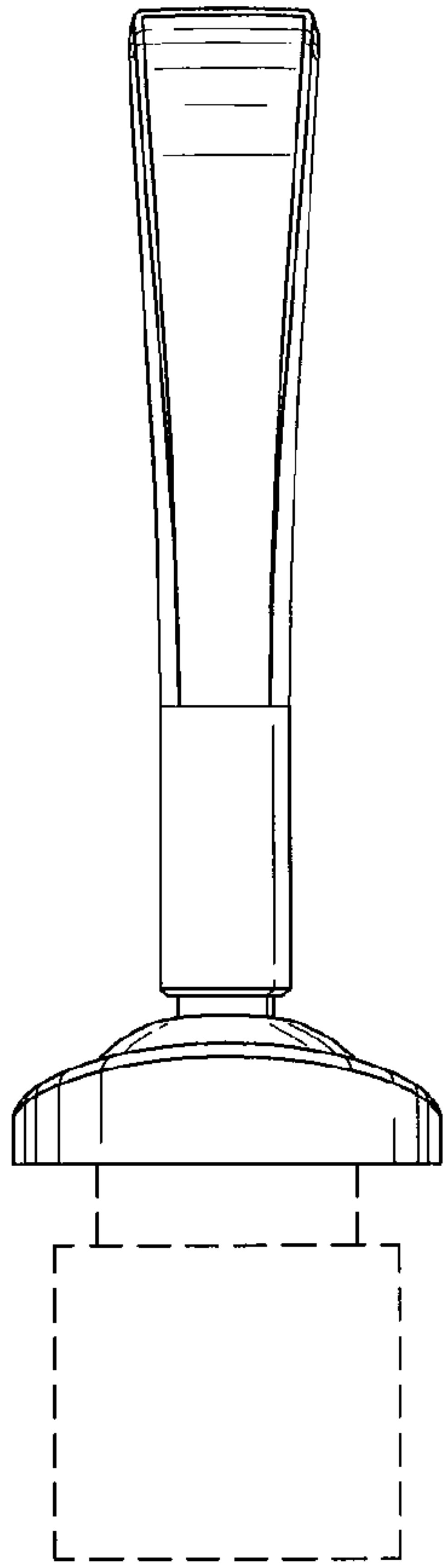


Fig-4

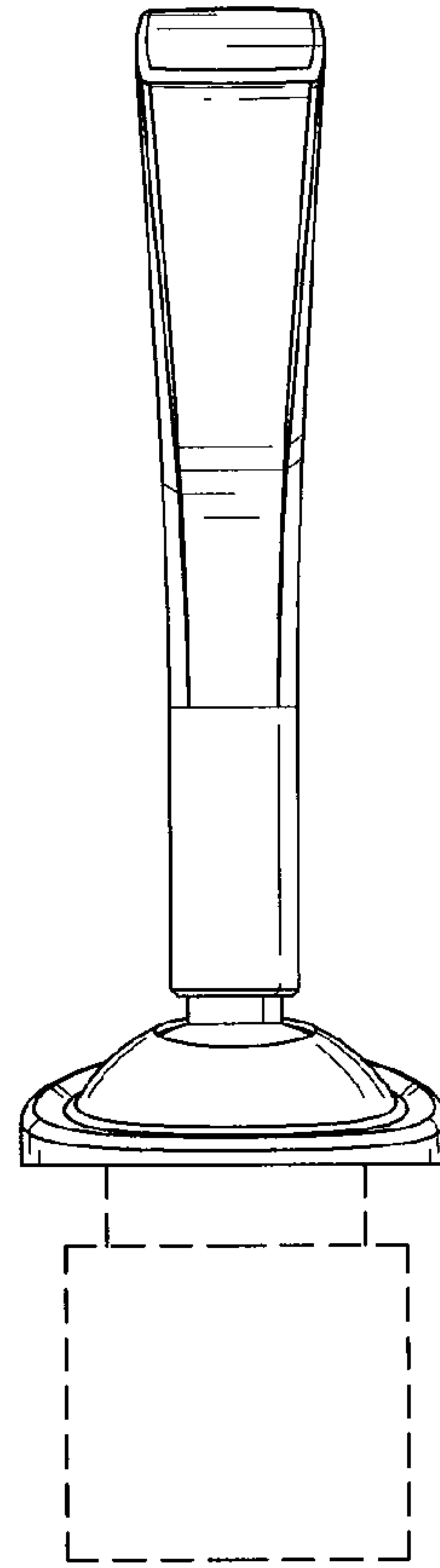


Fig-5

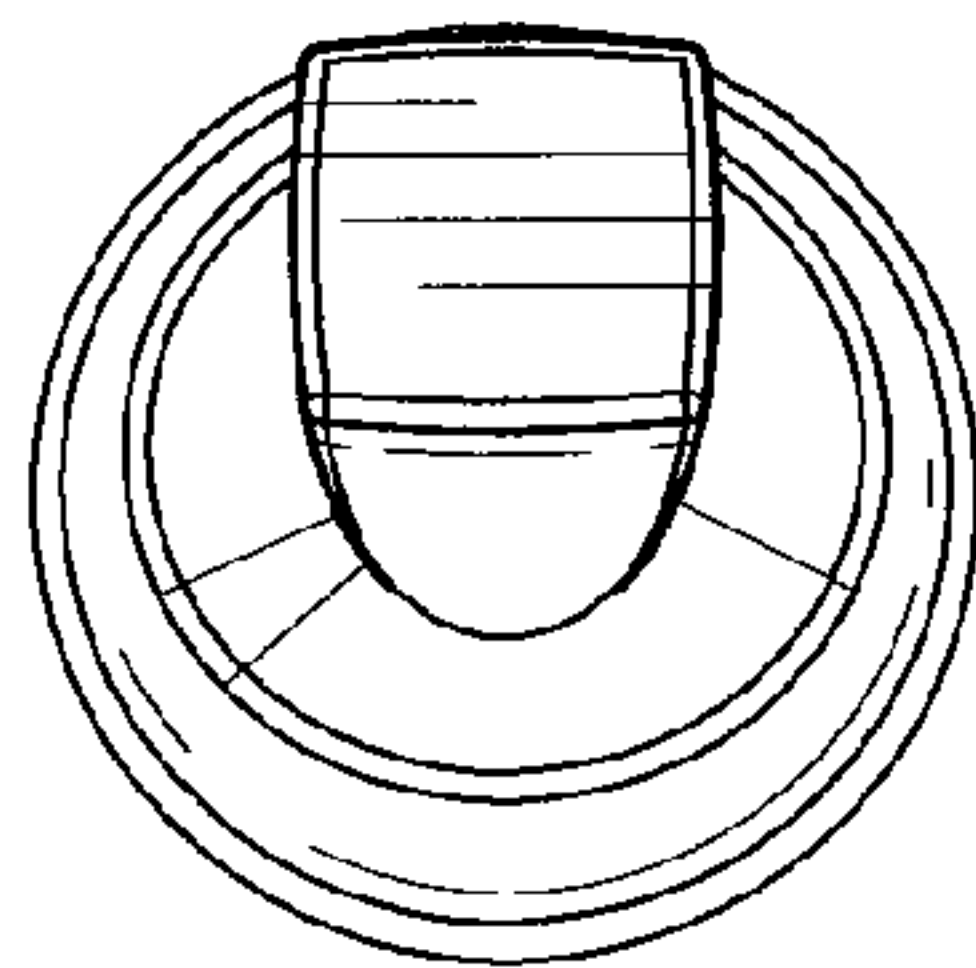


Fig-6

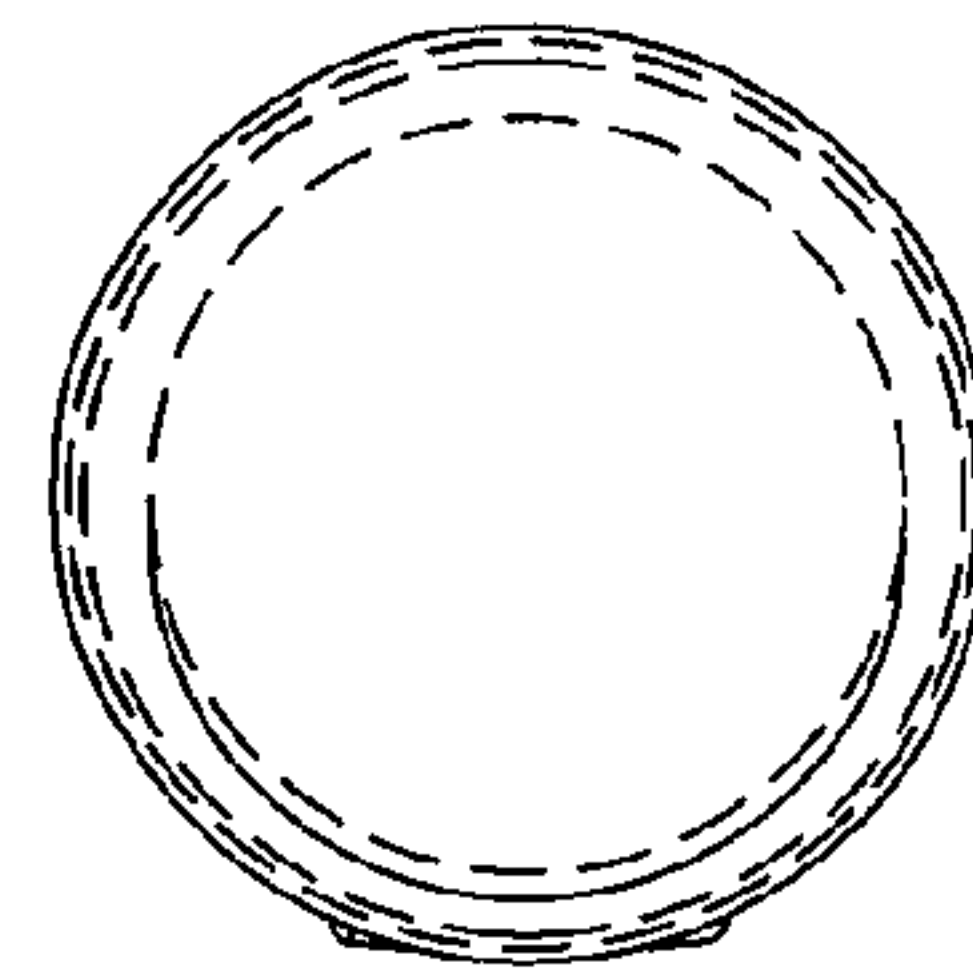


Fig-7