



US00D721789S

(12) **United States Design Patent**
Lu

(10) **Patent No.:** **US D721,789 S**
(45) **Date of Patent:** **** Jan. 27, 2015**

- (54) **CARTRIDGE CHECK ASSEMBLY**
- (71) Applicant: **Watts Water Technologies, Inc.**, North Andover, MA (US)
- (72) Inventor: **John D. Lu**, Malden, MA (US)
- (73) Assignee: **Watts Water Technologies, Inc.**, North Andover, MA (US)
- (**) Term: **14 Years**
- (21) Appl. No.: **29/482,537**
- (22) Filed: **Feb. 19, 2014**
- (51) **LOC (10) Cl.** **23-01**
- (52) **U.S. Cl.**
USPC **D23/237**
- (58) **Field of Classification Search**
CPC F16K 15/00; F16K 15/18; F16K 15/026;
F16K 15/044; B60T 17/04
USPC D23/233-250; D15/5, 7; 137/15.04,
137/15.08, 515, 7, 859, 843, 332, 529,
137/533.17, 540, 54, 543.17, 512.1, 243.2,
137/852, 223, 232, 366, 234, 368, 349,
137/367; 251/322, 333; 92/87; 404/25
See application file for complete search history.

- 6,187,182 B1 * 2/2001 Reynolds et al. 210/136
- 6,439,259 B1 * 8/2002 Beaver 137/232
- D470,508 S * 2/2003 MacPherson D15/5
- 6,557,580 B2 * 5/2003 Lohde et al. 137/315.01
- D490,819 S * 6/2004 Wahlberg D15/7
- 6,986,360 B2 * 1/2006 Chaffee 137/223

(Continued)

OTHER PUBLICATIONS

PVB4A Series Installation, Operation, and Maintenance Manual, Apollo Valves, pp. 1-8 (2009).

(Continued)

Primary Examiner — Cynthia Ramirez

Assistant Examiner — Gino Colan

(74) *Attorney, Agent, or Firm* — Edwards Wildman Palmer LLP; George N. Chaclas

(57) **CLAIM**

The ornamental design for a cartridge check assembly, as shown and described.

DESCRIPTION

FIG. 1 is a top perspective view of the cartridge check assembly according to the present disclosure.

FIG. 2 is another perspective view of the cartridge check assembly according to the present disclosure.

FIG. 3 is a front view of the cartridge check assembly according to the present disclosure.

FIG. 4 is a back view of the cartridge check assembly according to the present disclosure.

FIG. 5 is a right side view of the cartridge check assembly according to the present disclosure.

FIG. 6 is a left side view of the cartridge check assembly according to the present disclosure.

FIG. 7 is a top view of the cartridge check assembly according to the present disclosure; and,

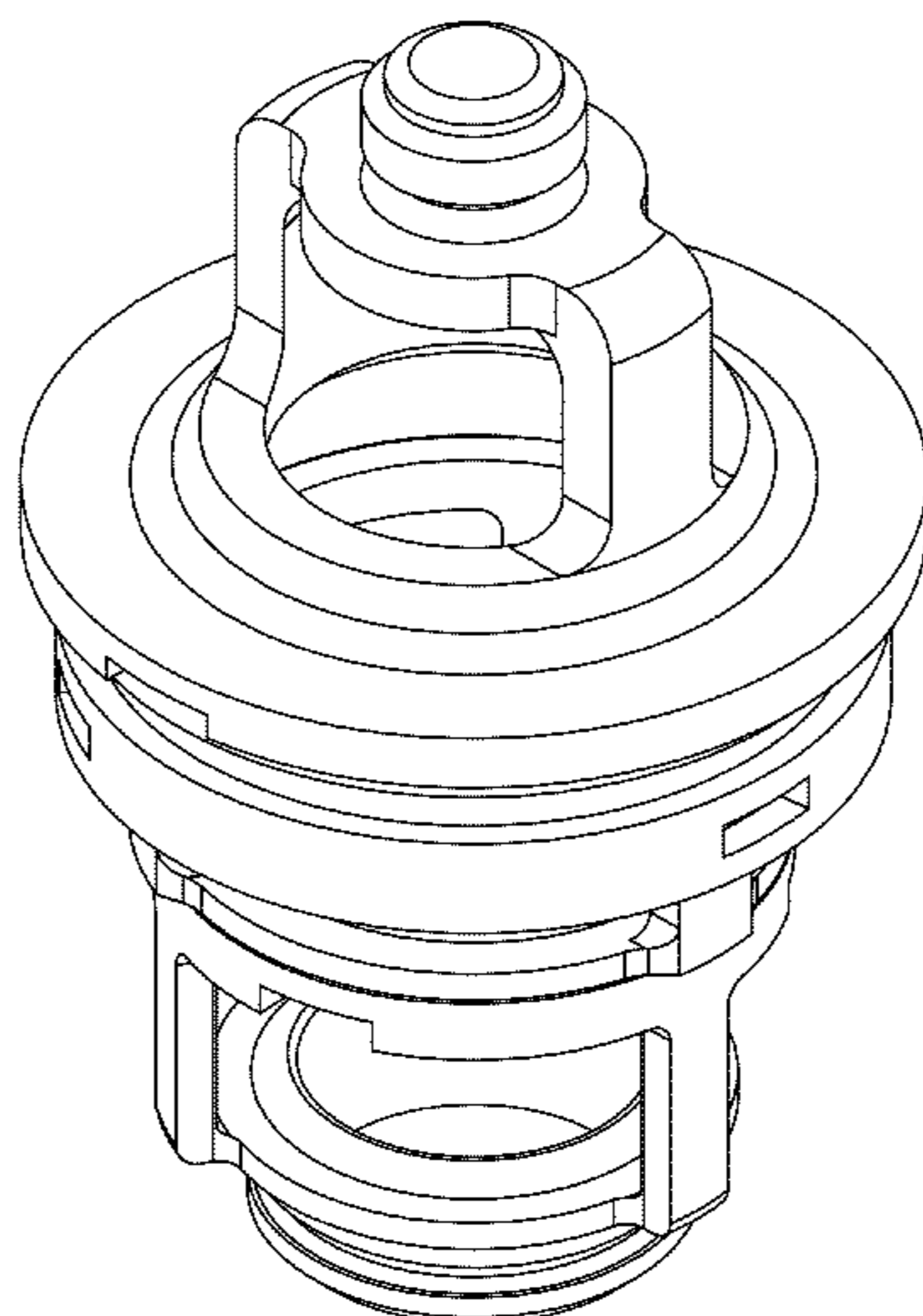
FIG. 8 is a bottom view of the cartridge check assembly according to the present disclosure.

1 Claim, 8 Drawing Sheets

(56) **References Cited**

U.S. PATENT DOCUMENTS

- 1,679,898 A * 8/1928 Gilbert 137/243.2
- 1,761,655 A * 6/1930 Collar 137/243.2
- 2,261,269 A * 11/1941 Mohr 251/367
- 3,189,037 A 6/1965 Callejo
- 4,177,825 A * 12/1979 Crawford 137/243.2
- 4,338,961 A * 7/1982 Karpenko 137/243.2
- 4,540,012 A * 9/1985 Bridges 137/72
- 5,125,429 A 6/1992 Ackroyd et al.
- D328,488 S * 8/1992 Shaw D23/249
- 5,447,500 A * 9/1995 Bergstresser et al. 604/198
- 5,551,473 A 9/1996 Lin et al.
- D413,374 S * 8/1999 Tine, Jr. D23/233
- 6,123,095 A 9/2000 Kersten et al.



(56)

References Cited

U.S. PATENT DOCUMENTS

D526,701 S * 8/2006 Grether D23/249
 7,302,971 B2 * 12/2007 Myntti 137/852
 D570,374 S * 6/2008 Hideki et al. D15/7
 D570,375 S * 6/2008 Hideki et al. D15/7
 D577,100 S * 9/2008 Brown et al. D23/213
 D582,437 S * 12/2008 Shimomura et al. D15/7
 D582,438 S * 12/2008 Shimomura et al. D15/7
 D582,439 S * 12/2008 Shimomura et al. D15/7
 D582,440 S * 12/2008 Shimomura et al. D15/7
 D582,441 S * 12/2008 Shimomura et al. D15/7
 D585,522 S * 1/2009 Geideman et al. D23/233
 7,497,416 B2 * 3/2009 Wang 251/349
 D590,840 S * 4/2009 Shea et al. D15/5
 D591,403 S * 4/2009 Grether D23/249
 7,575,018 B2 * 8/2009 Smith 137/366
 D620,081 S * 7/2010 Geideman et al. D23/233
 7,789,012 B2 * 9/2010 Marcilese et al. 92/87
 7,861,854 B2 * 1/2011 Sharon et al. 206/221
 7,934,515 B1 5/2011 Towsley et al.

7,938,138 B2 * 5/2011 Chaffee 137/223
 D645,053 S * 9/2011 Shea et al. D15/5
 8,307,841 B2 * 11/2012 Chaffee 137/223
 8,430,116 B1 * 4/2013 Smith 137/365
 2001/0012474 A1 * 8/2001 Gagas 404/25
 2004/0107993 A1 6/2004 Stephens
 2006/0033067 A1 * 2/2006 Wang 251/322
 2006/0255309 A1 * 11/2006 Marcilese et al. 251/368
 2007/0193633 A1 8/2007 Howell et al.
 2013/0186481 A1 * 7/2013 Chaffee 137/234

OTHER PUBLICATIONS

BFMM PVB4A Installation, Operation, and Maintenance Manual, pp. 3-11 (2012).
 Model 420XL—Lead-Free Pressure Vacuum Breakers listing, Wilkins catalog (2014).
 Series LF800M4QT—Anti-Siphon Pressure Vacuum Breakers, Watts Waters Technologies (2013).
 Series 4V-500 BFMMMPVB Maintenance Manual, Conbraco Industries (2002).

* cited by examiner

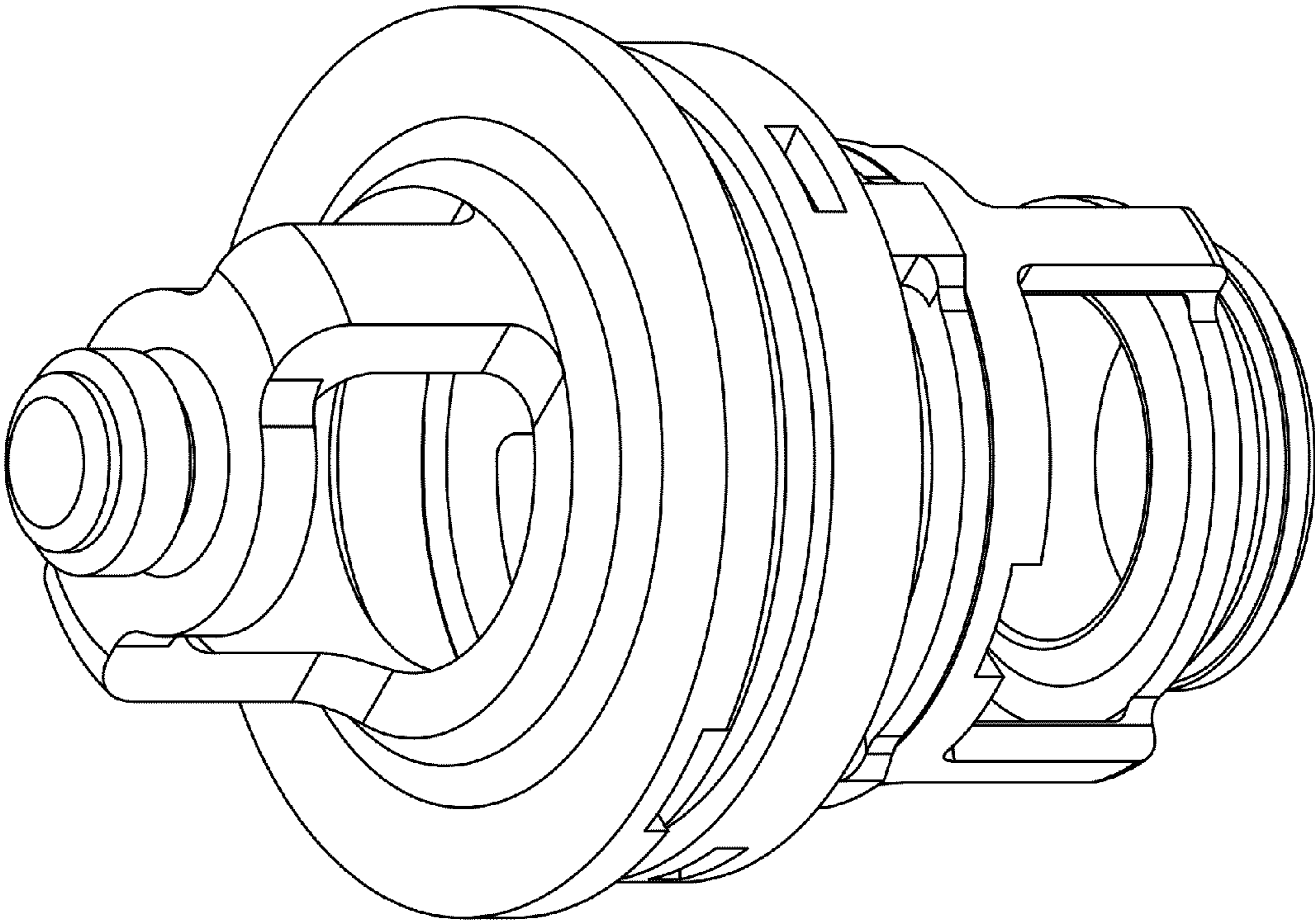


FIG. 1

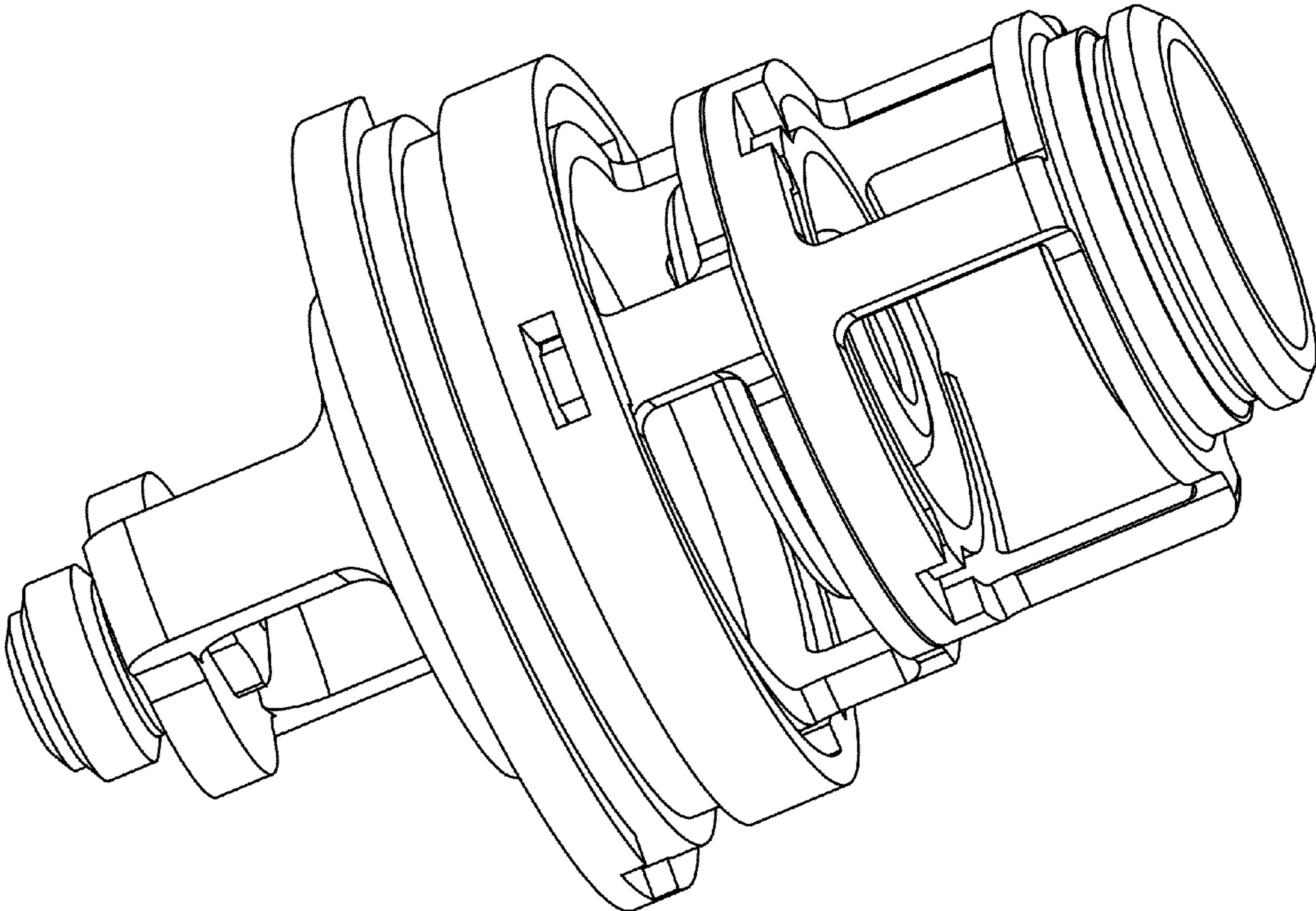


FIG. 2

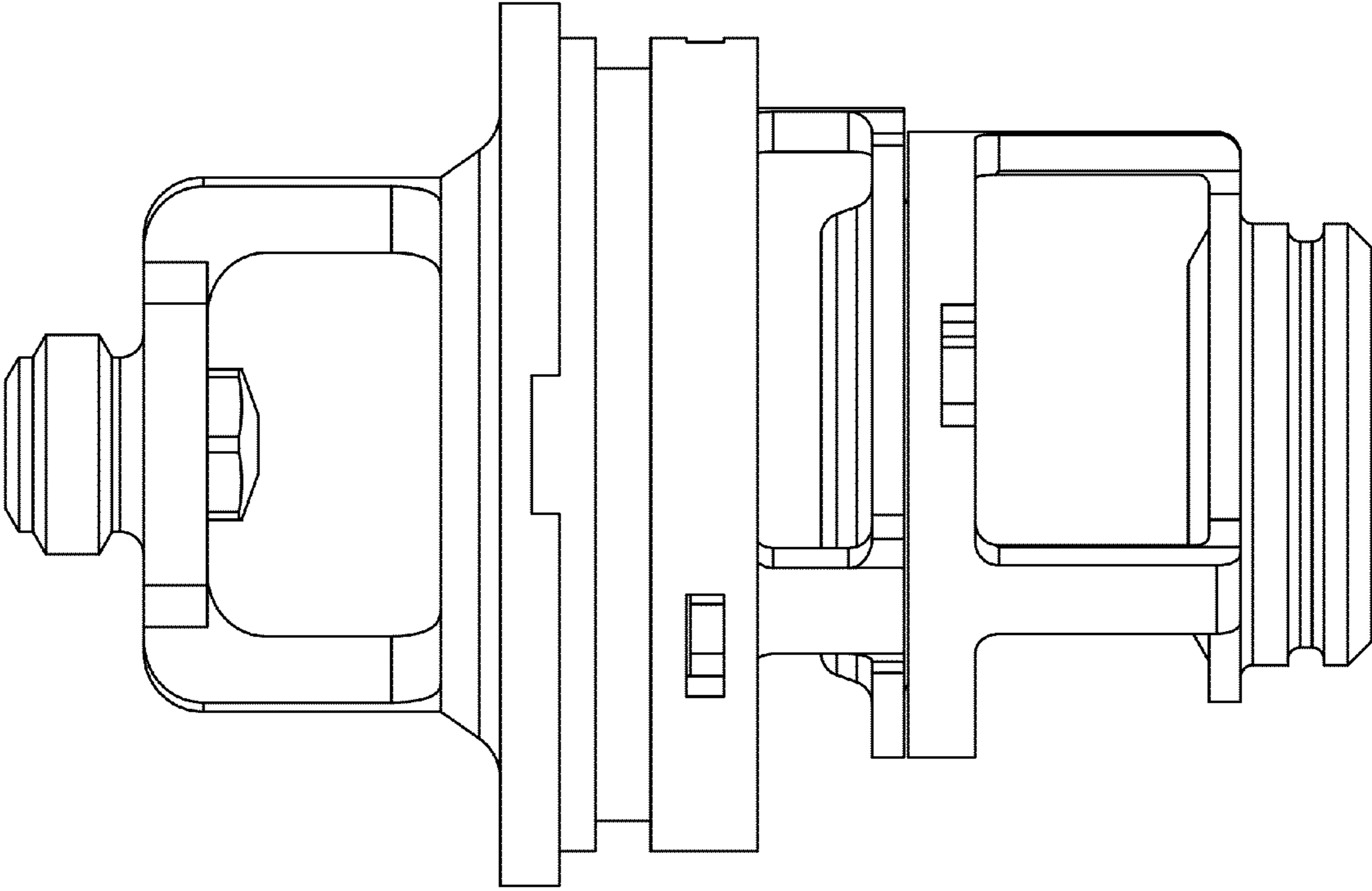


FIG. 3

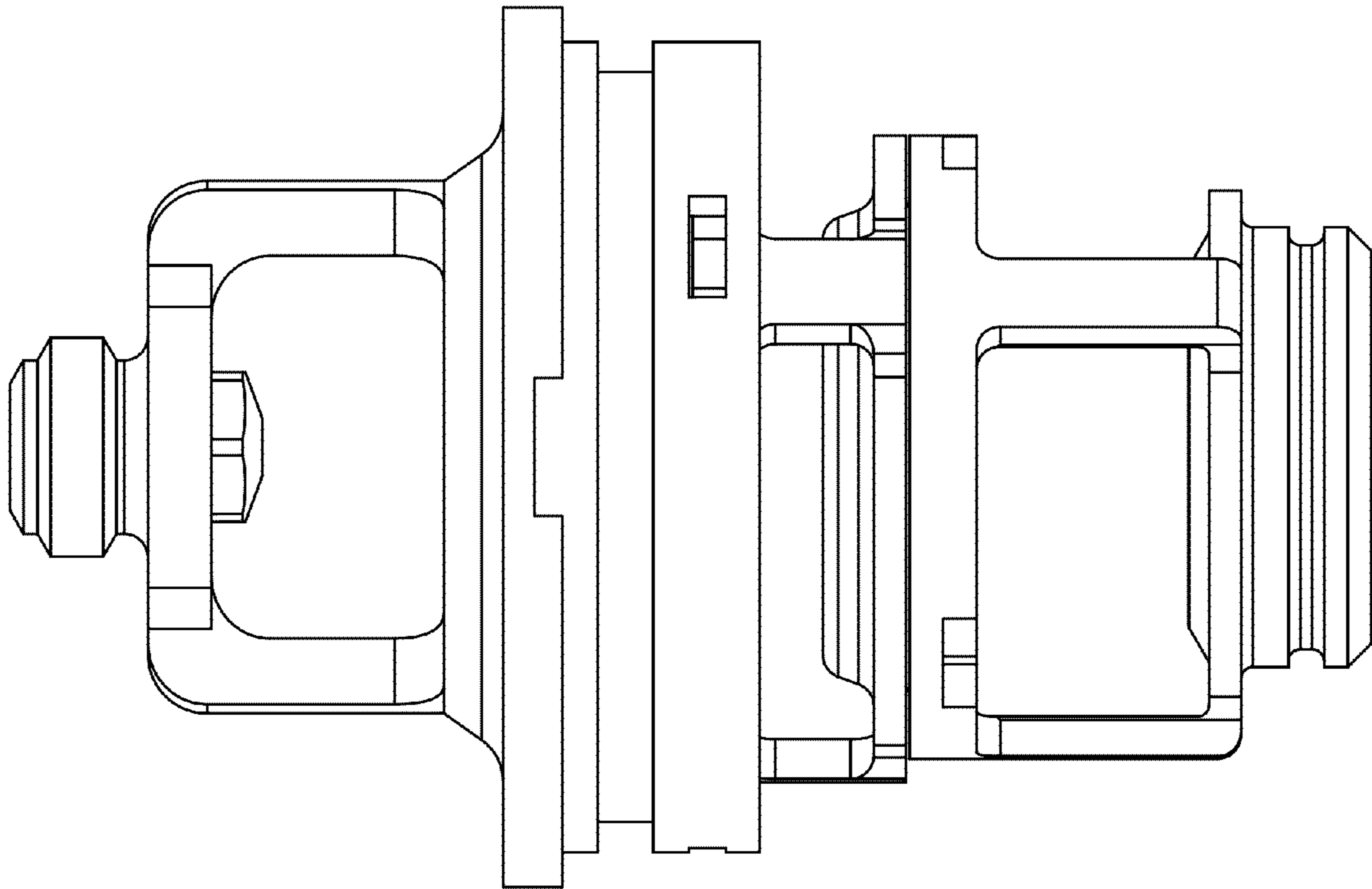


FIG. 4

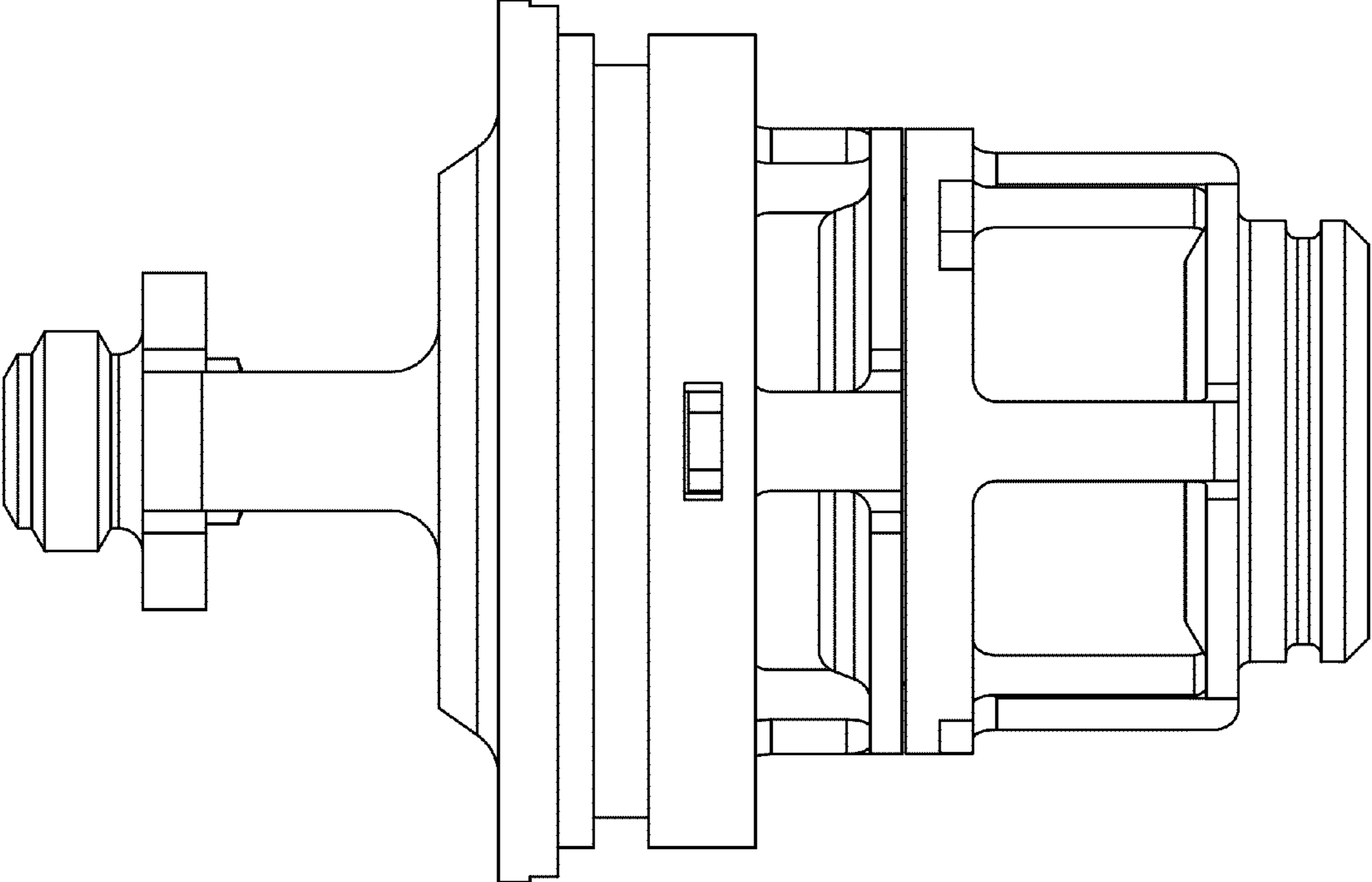


FIG. 5

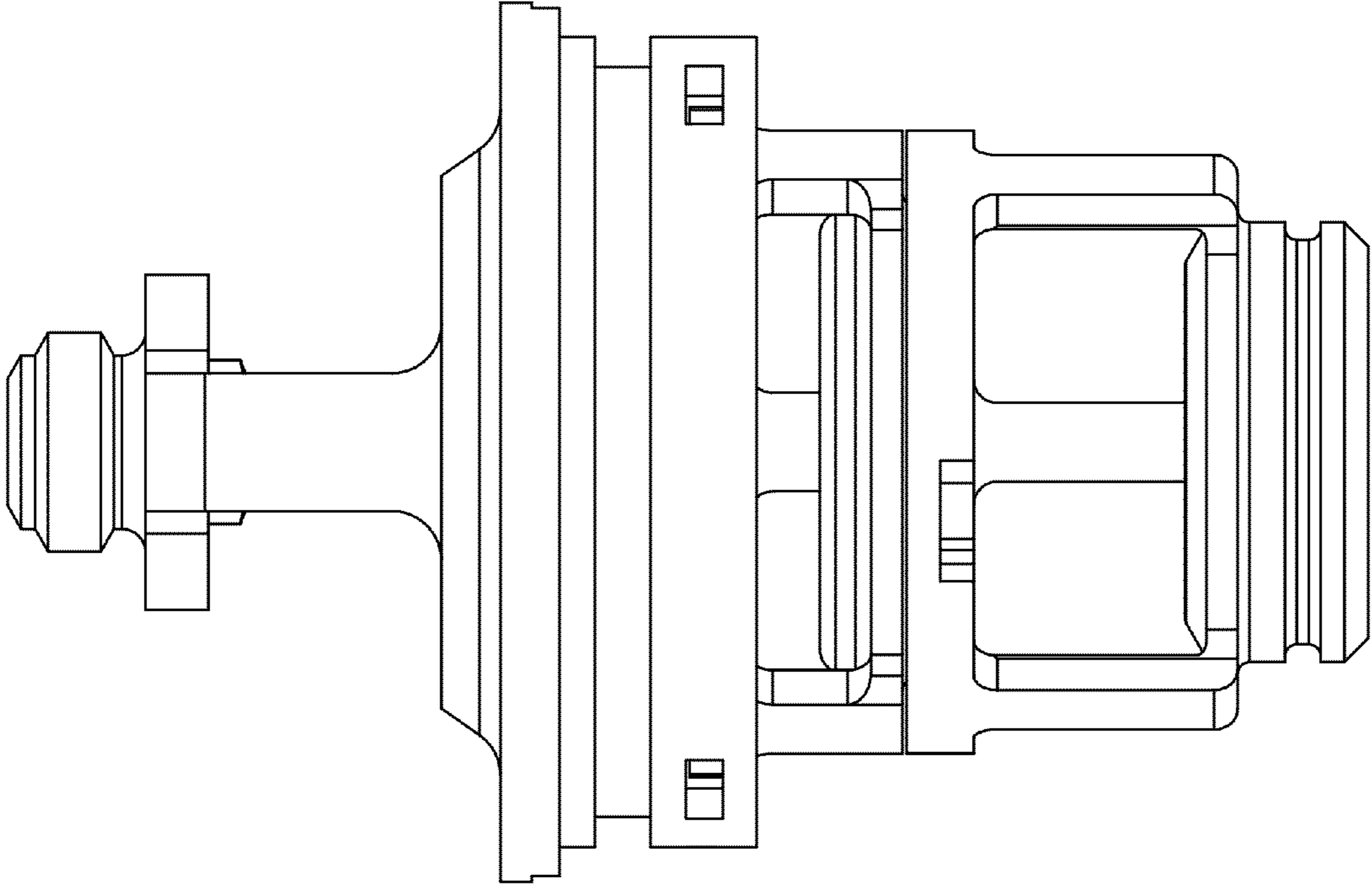


FIG. 6

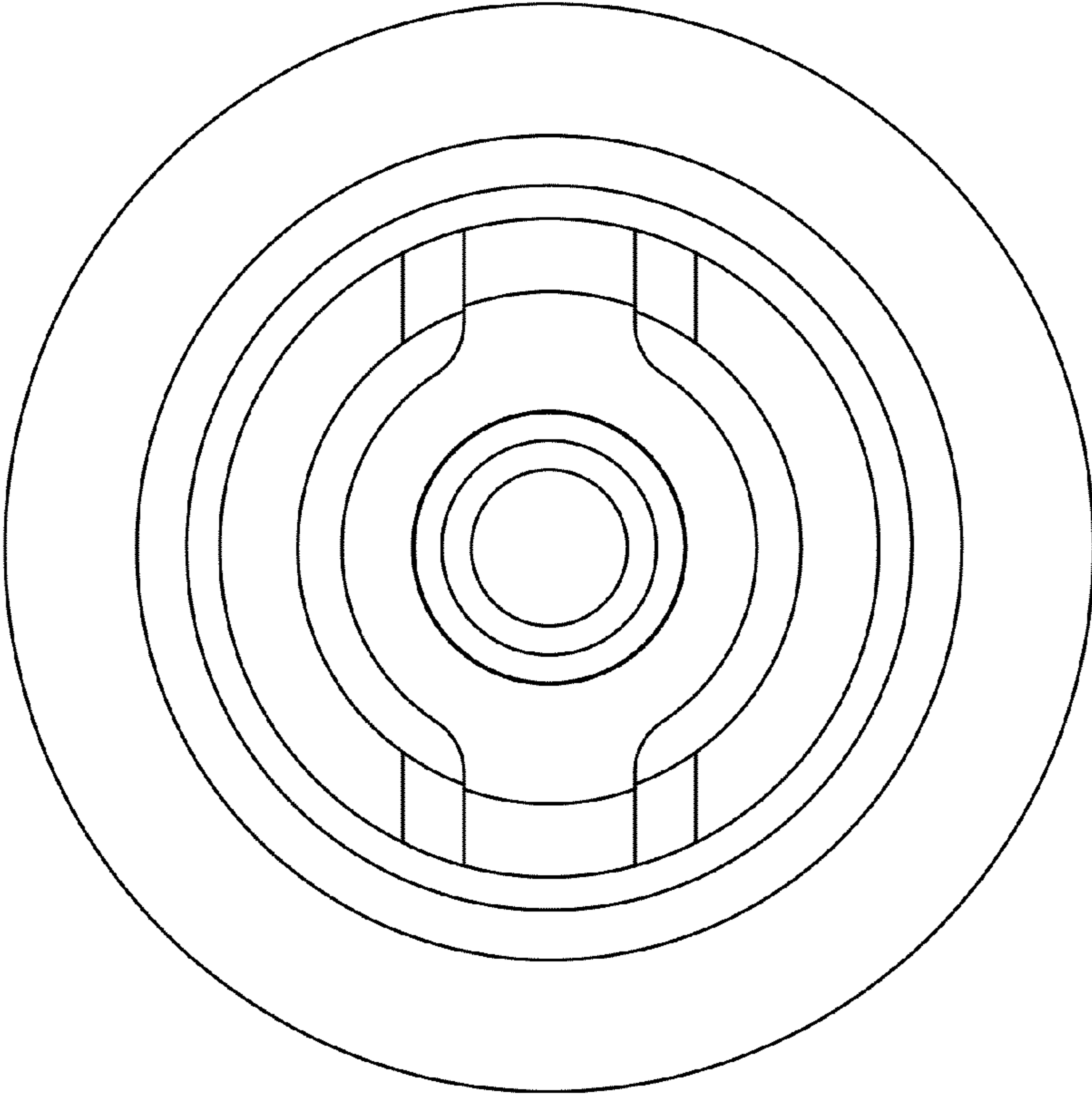


FIG. 7

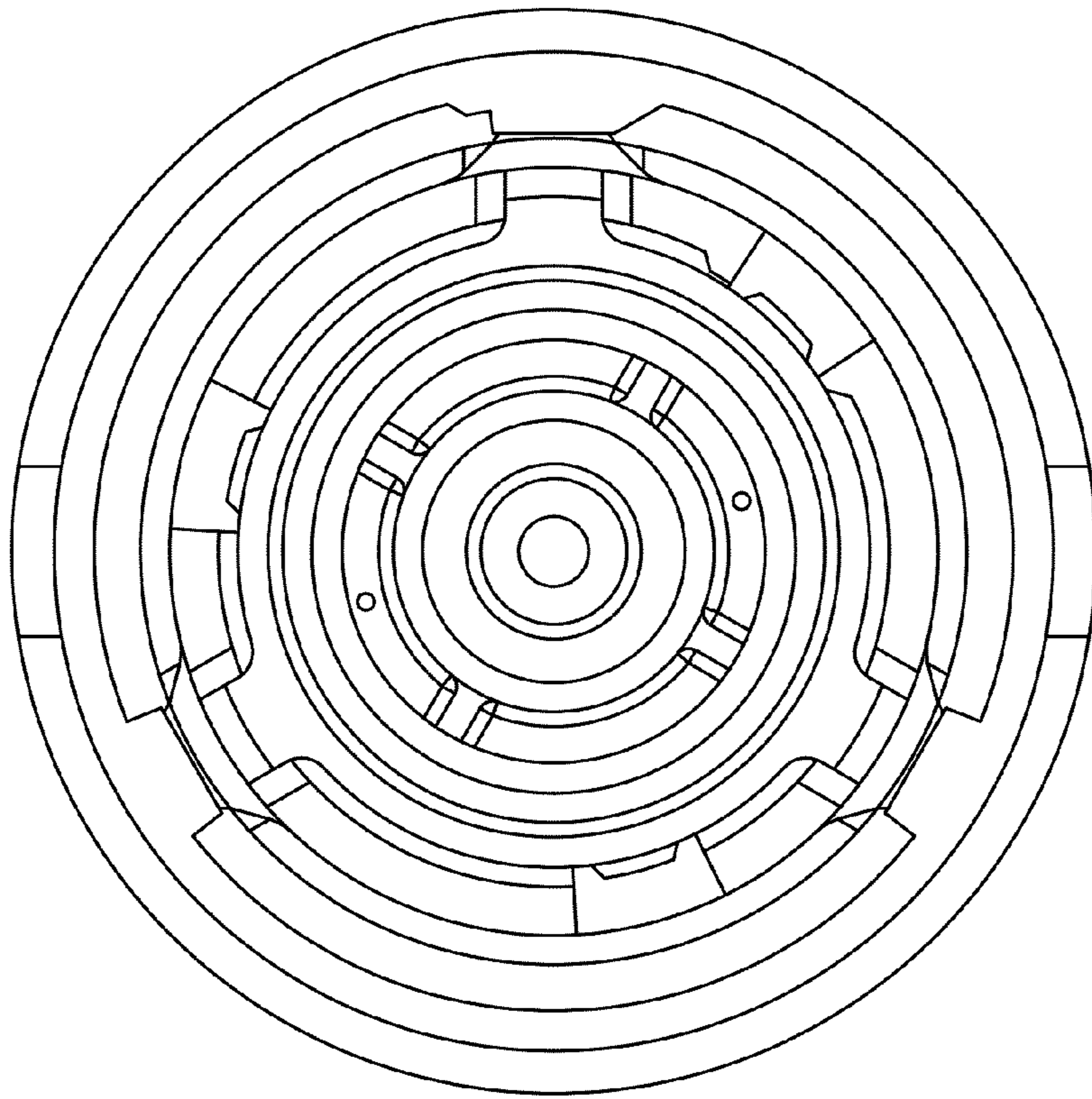


FIG. 8