



US00D721788S

(12) **United States Design Patent**
Pifer

(10) **Patent No.:** **US D721,788 S**
(45) **Date of Patent:** **** Jan. 27, 2015**

(54) **FUEL TANK VENT VALVE ASSEMBLY**

(71) Applicant: **Eaton Corporation**, Cleveland, OH (US)

(72) Inventor: **Daniel Lee Pifer**, Chelsea, MI (US)

(73) Assignee: **Eaton Corporation**, Cleveland, OH (US)

(**) Term: **14 Years**

(21) Appl. No.: **29/479,646**

(22) Filed: **Jan. 17, 2014**

Related U.S. Application Data

(62) Division of application No. 29/409,405, filed on Dec. 22, 2011, now Pat. No. Des. 702,320.

(51) **LOC (10) Cl.** **23-01**

(52) **U.S. Cl.**
USPC **D23/233**

(58) **Field of Classification Search**
USPC D23/233-237, 244-249; 417/411;
137/140, 636.3, 636.2, 625.4, 625.31,
137/625.17, 625.65

See application file for complete search history.

(56) **References Cited**

U.S. PATENT DOCUMENTS

7,255,131	B2 *	8/2007	Paper et al.	137/625.47
D634,813	S *	3/2011	Hernandez, IV	D23/233
D639,825	S *	6/2011	Murakami et al.	D15/5
D655,393	S *	3/2012	Whitaker	D23/233
D656,223	S *	3/2012	Cronje et al.	D23/233
D675,714	S *	2/2013	Nguyen	D23/233

D681,782	S *	5/2013	Bohm et al.	D23/233
D691,240	S *	10/2013	Iranyi et al.	D23/233
D691,701	S *	10/2013	Iranyi et al.	D23/233
D691,702	S *	10/2013	Iranyi et al.	D23/233
D691,703	S *	10/2013	Iranyi et al.	D23/233
D702,320	S *	4/2014	Pifer	D23/233

* cited by examiner

Primary Examiner — Cynthia Ramirez

(74) *Attorney, Agent, or Firm* — Quinn Law Group PLLC

(57) **CLAIM**

The ornamental design for a fuel tank vent valve assembly, as shown and described.

DESCRIPTION

FIG. 1 is a top view of a fuel tank vent valve assembly in accordance with my new design;

FIG. 2 is a bottom view of the fuel tank vent valve assembly of FIG. 1.

FIG. 3 is a back view of the fuel tank vent valve assembly of FIG. 1.

FIG. 4 is a front view of the fuel tank vent valve assembly of FIG. 1.

FIG. 5 is a side view of the fuel tank vent valve assembly of FIG. 1.

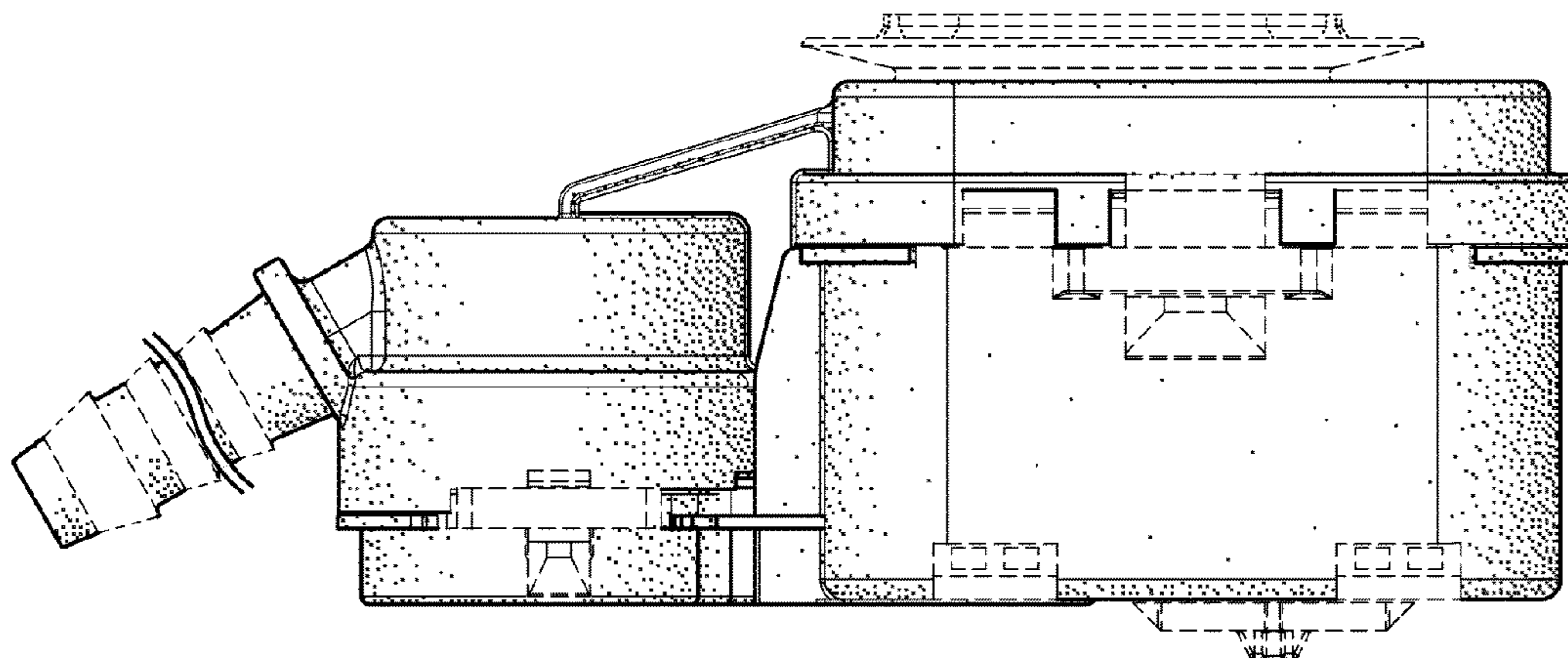
FIG. 6 is a perspective view of the fuel tank vent valve assembly of FIG. 1; and,

FIG. 7 is another perspective view of the fuel tank vent valve assembly of FIG. 1.

The broken line showing portions of the fuel tank vent valve assembly form no part of the claimed design.

The protruded element on the vent valve assembly is shown with a symbolic break in its length. The appearance of any portion of the article between the break lines forms no part of the claimed design.

1 Claim, 4 Drawing Sheets



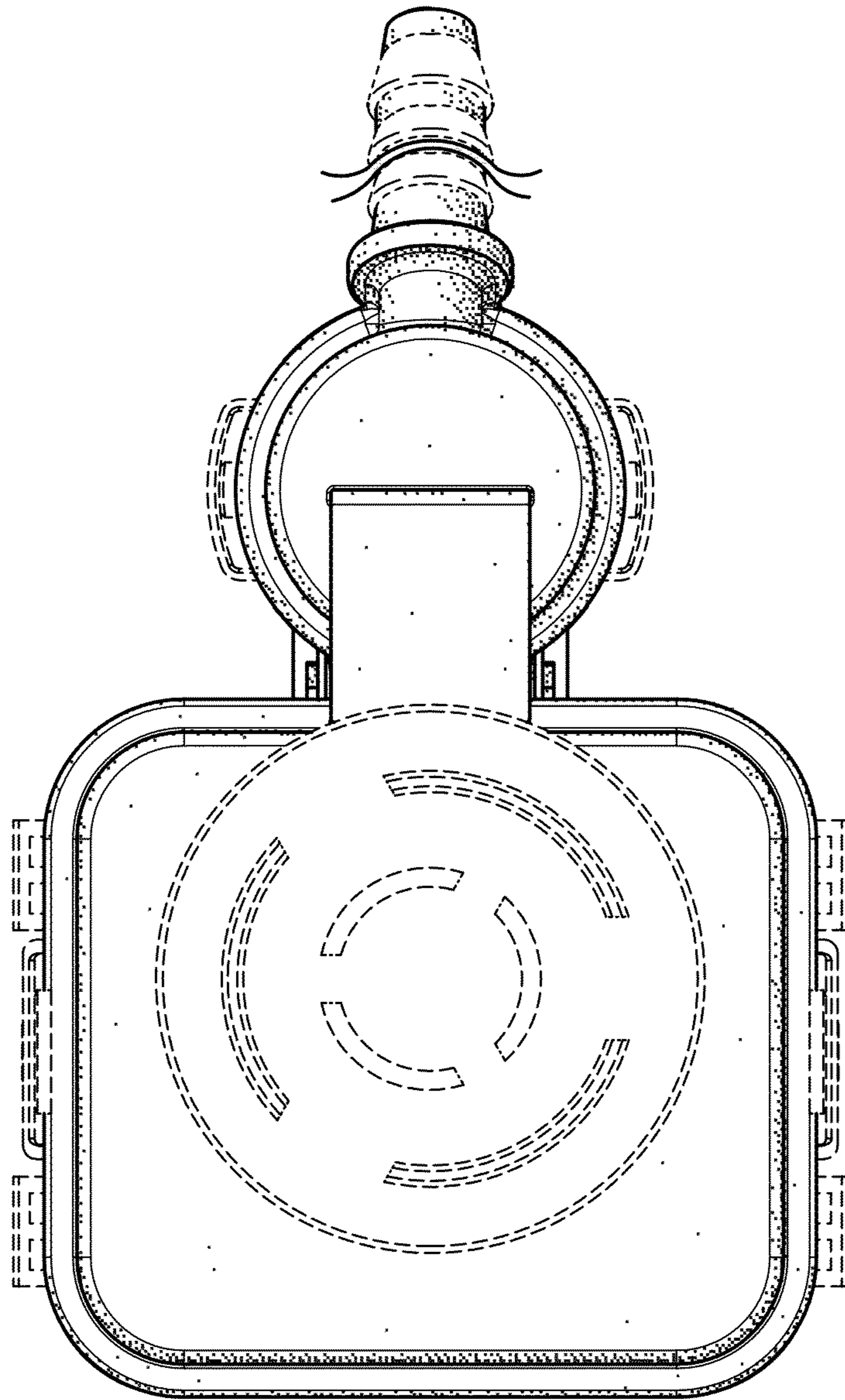


FIG. 1

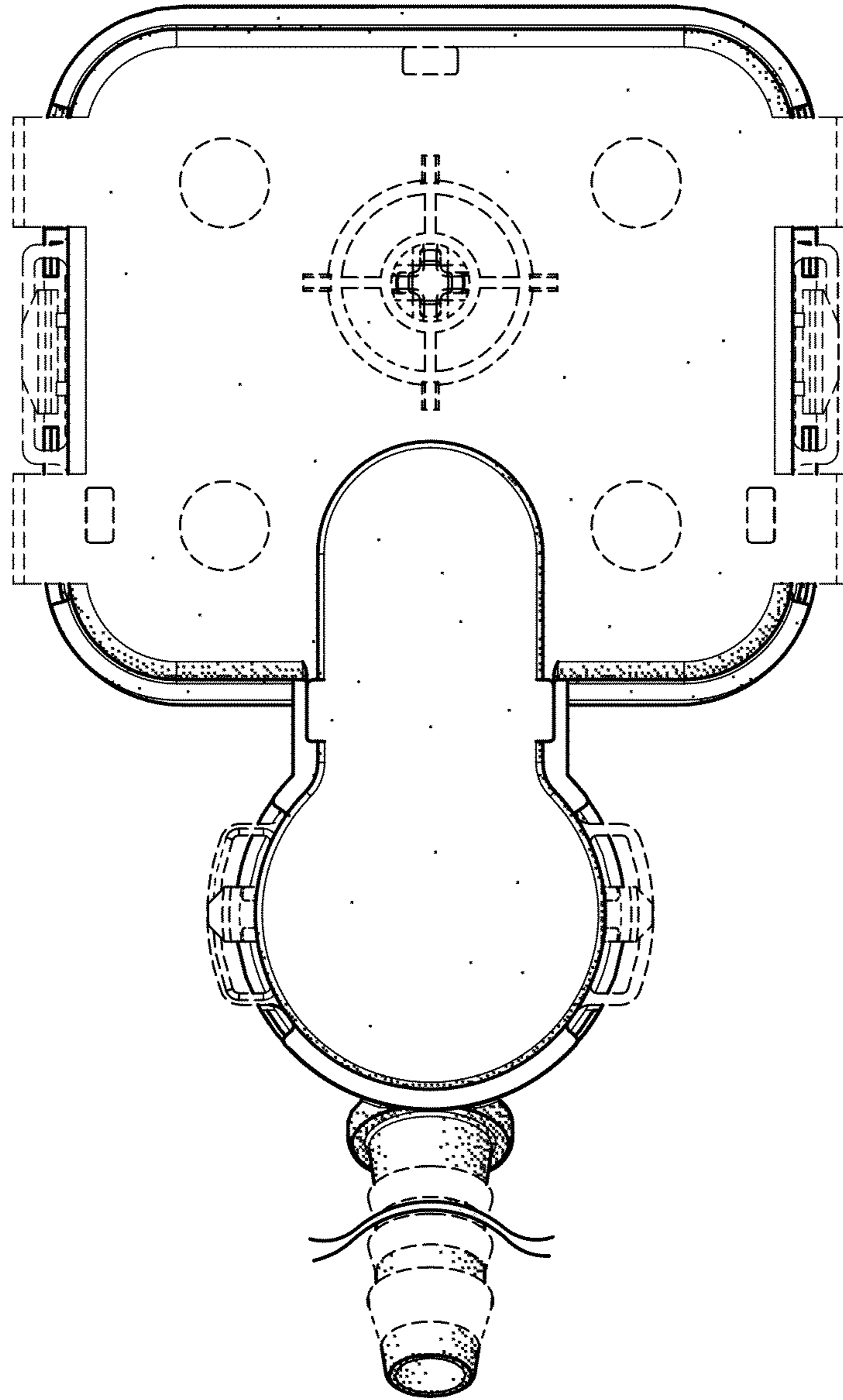


FIG. 2

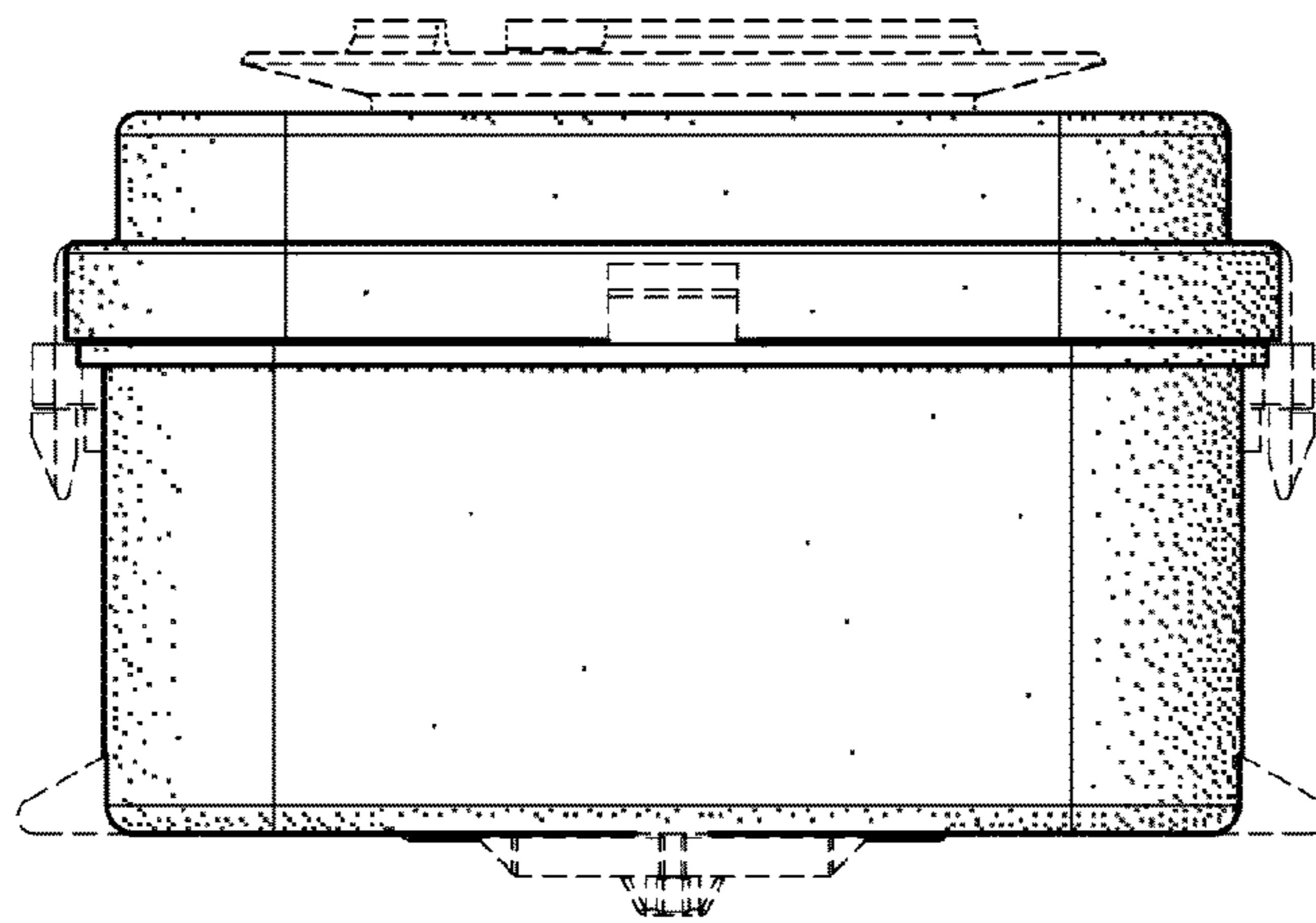


FIG. 3

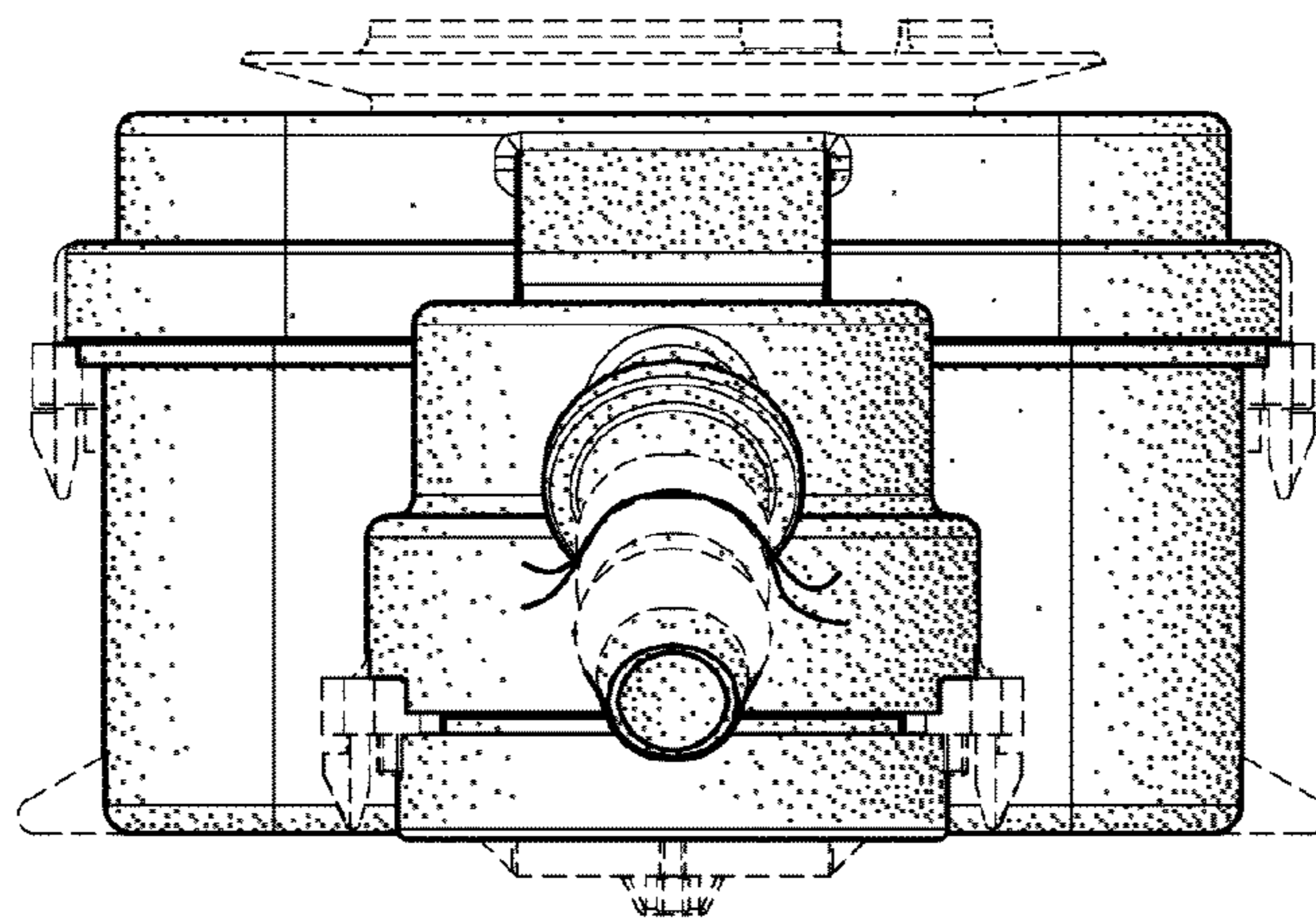


FIG. 4

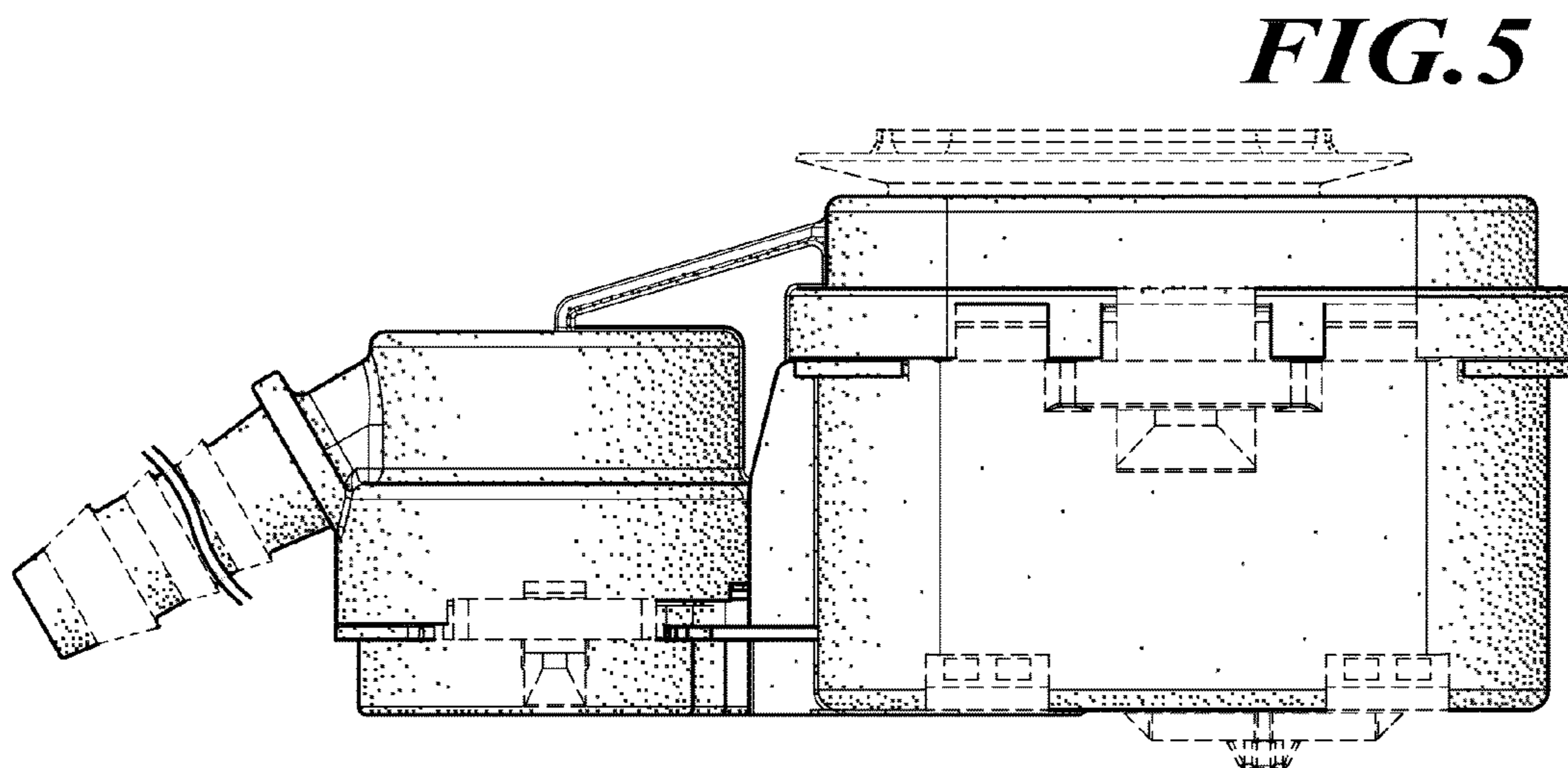


FIG. 5

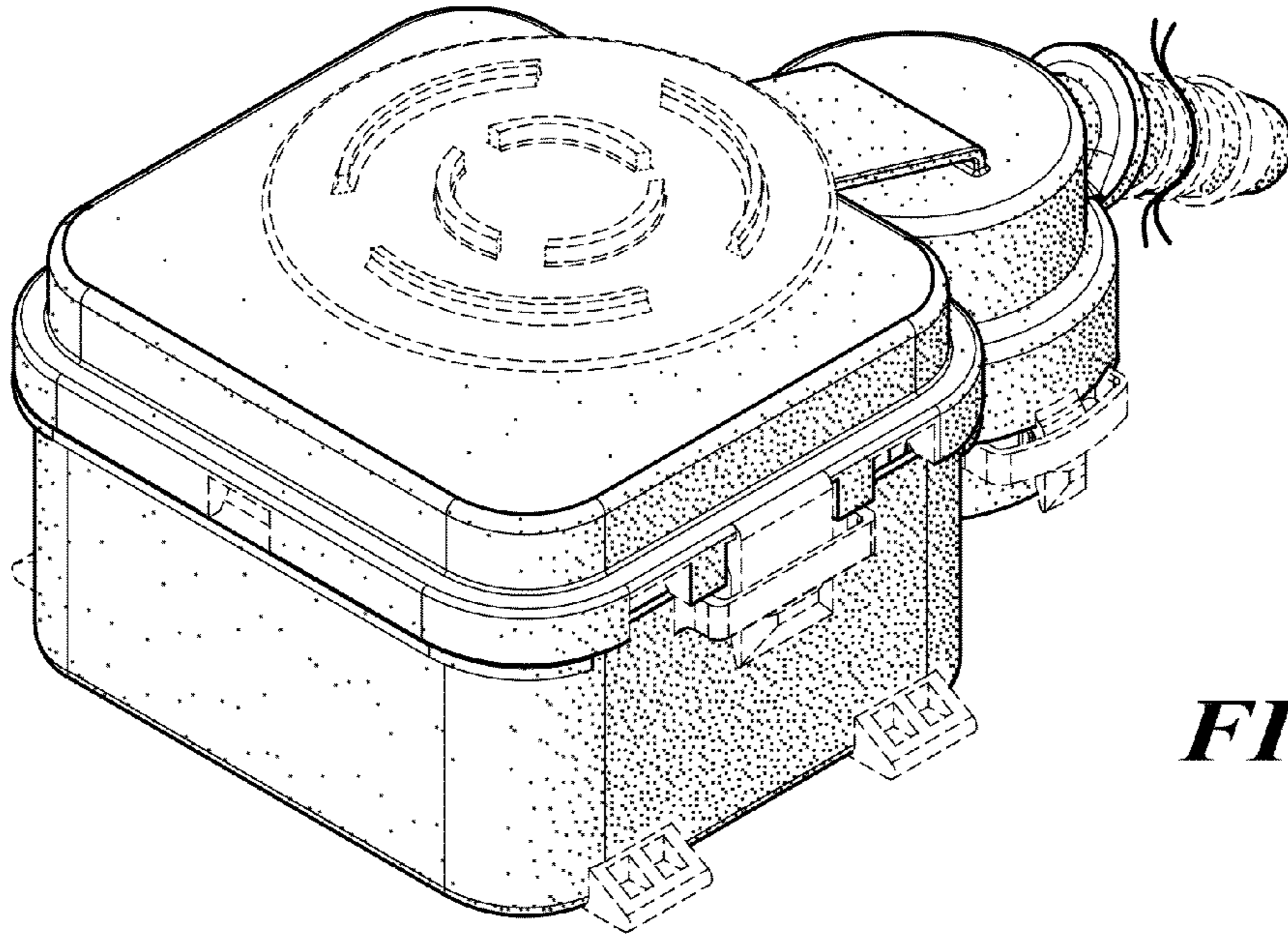


FIG. 6

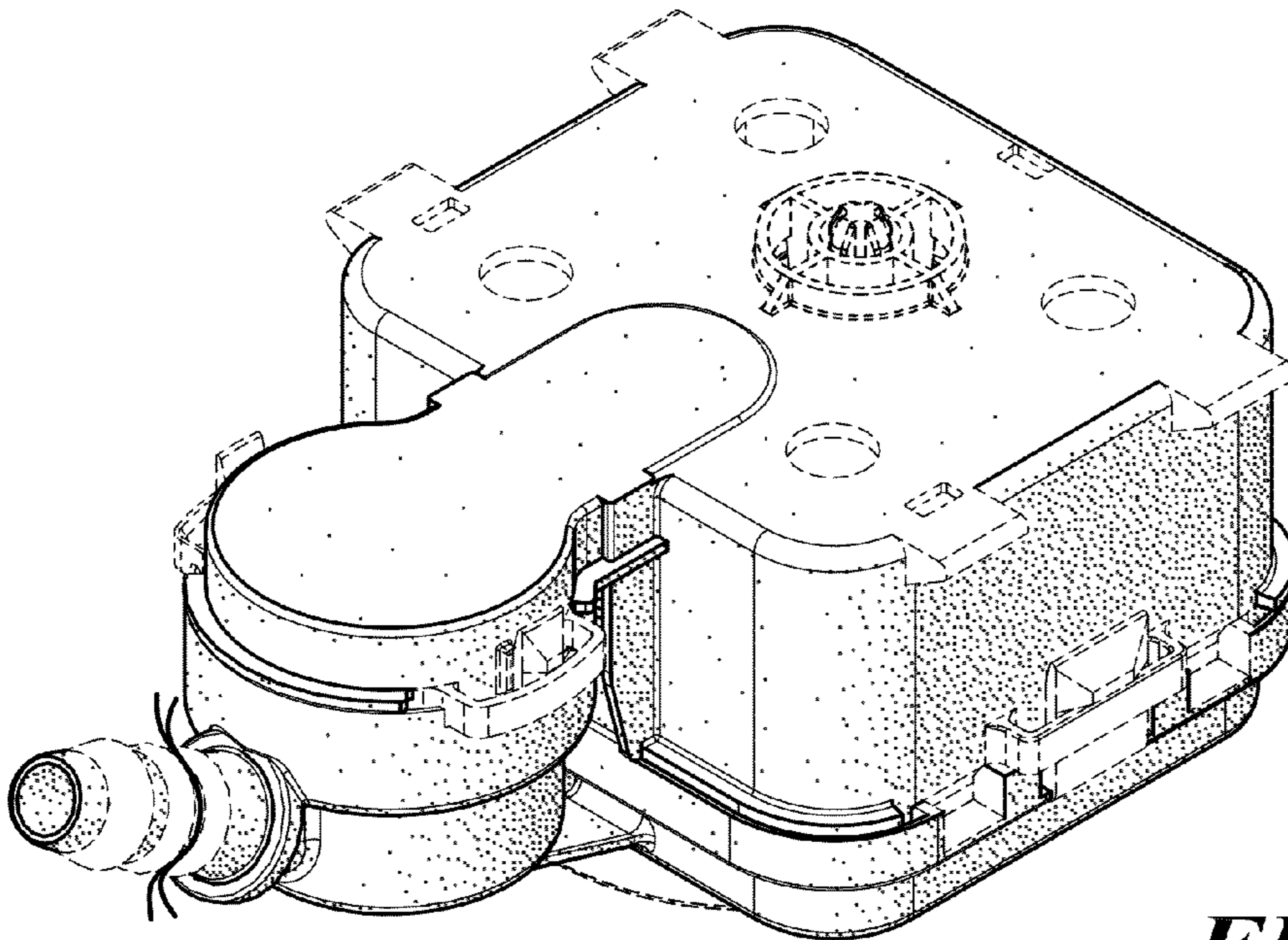


FIG. 7