



US00D721787S

(12) **United States Design Patent**
Yoshimura et al.

(10) **Patent No.:** **US D721,787 S**
(45) **Date of Patent:** **** Jan. 27, 2015**

- (54) **ELECTROMAGNETIC VALVE**
- (71) Applicant: **SMC Corporation**, Chiyoda-ku (JP)
- (72) Inventors: **Shinichi Yoshimura**, Moriya (JP);
Hiromichi Yoshioka, Bando (JP)
- (73) Assignee: **SMC Corporation**, Chiyoda-ku (JP)
- (**) Term: **14 Years**
- (21) Appl. No.: **29/451,201**
- (22) Filed: **Mar. 28, 2013**

D563,521	S	*	3/2008	Miyazoe et al.	D23/233
D563,522	S	*	3/2008	Miyazoe et al.	D23/233
D563,523	S	*	3/2008	Matsumoto et al.	D23/233
D564,630	S	*	3/2008	Miyazoe et al.	D23/233
D572,344	S	*	7/2008	Kato	D23/233
D574,466	S	*	8/2008	Kato	D23/233
D594,929	S	*	6/2009	Takakuwa et al.	D23/233
D594,930	S	*	6/2009	Takakuwa et al.	D23/233
D607,539	S	*	1/2010	Matsumoto	D23/233
D607,540	S	*	1/2010	Matsumoto	D23/233
D621,477	S	*	8/2010	Miyazoe et al.	D23/233
D621,911	S	*	8/2010	Miyazoe et al.	D23/233
D623,270	S	*	9/2010	Fukano et al.	D23/233
D636,460	S	*	4/2011	Hayashi	D23/233

(Continued)

- (30) **Foreign Application Priority Data**
- Oct. 19, 2012 (JP) 2012-025475
- (51) **LOC (10) Cl.** **23-01**
- (52) **U.S. Cl.**
- USPC **D23/233**
- (58) **Field of Classification Search**
- CPC F16K 31/0655; F16K 31/0675; F16K
31/0658; F16K 31/06; H01F 7/081
- USPC D23/233, 234-237; 137/625.64, 85;
123/406.69; 251/129.01, 129.11,
251/129.15, 149.8
- See application file for complete search history.

- (56) **References Cited**
- U.S. PATENT DOCUMENTS**
- 4,470,426 A * 9/1984 Kitamura 137/85
- 4,856,478 A * 8/1989 Weber et al. 123/406.69
- 5,603,355 A * 2/1997 Miyazoe et al. 137/625.64
- D427,663 S * 7/2000 Hayashi et al. D23/233
- D458,985 S * 6/2002 Kleffmann D23/233
- D479,738 S * 9/2003 Hayashi et al. D23/233
- D563,509 S * 3/2008 Kato et al. D23/233
- D563,517 S * 3/2008 Miyazoe et al. D23/233
- D563,518 S * 3/2008 Miyazoe et al. D23/233
- D563,519 S * 3/2008 Miyazoe et al. D23/233
- D563,520 S * 3/2008 Miyazoe et al. D23/233

OTHER PUBLICATIONS

Design U.S. Appl. No. 29/451,075, filed Mar. 27, 2013, Yoshimura, et al.

Primary Examiner — Cynthia Ramirez

Assistant Examiner — Gino Colan

(74) *Attorney, Agent, or Firm* — Oblon, Spivak, McClelland, Maier & Neustadt, L.L.P.

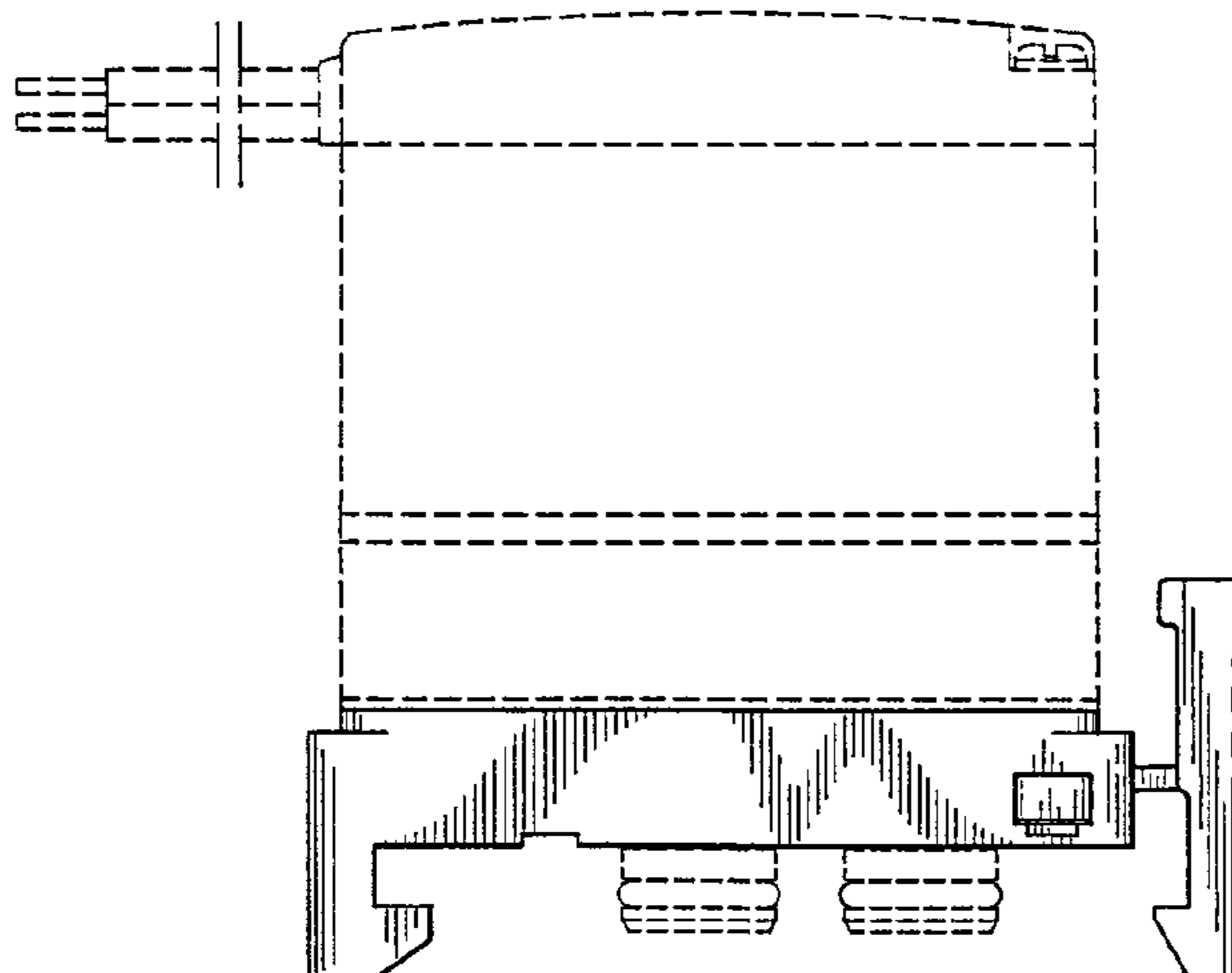
(57) **CLAIM**

The ornamental design for an electromagnetic valve, as shown and described.

DESCRIPTION

FIG. 1 is a front elevational view of an electromagnetic valve; FIG. 2 is a rear elevational view thereof; FIG. 3 is a top plan view thereof; FIG. 4 is a bottom plan view thereof; FIG. 5 is a left side elevational view thereof; FIG. 6 is a right side elevational view thereof; FIG. 7 is a front, top, and right side perspective view thereof; and, FIG. 8 is a rear, bottom, and left side perspective view thereof. The broken lines in the drawings depict environmental subject matter only and form no part of the claimed design.

1 Claim, 4 Drawing Sheets



(56)

References Cited

U.S. PATENT DOCUMENTS

D639,393 S *	6/2011	Hayashi	D23/233	D694,858 S *	12/2013	Narita	D23/233
D653,307 S *	1/2012	Senba	D23/233	D695,380 S *	12/2013	Tamura et al.	D23/233
D653,308 S *	1/2012	Senba	D23/233	D698,417 S *	1/2014	Tamura et al.	D23/233
D665,874 S *	8/2012	Senba	D23/233	D698,418 S *	1/2014	Narita	D23/233
D668,321 S *	10/2012	Senba	D23/233	D698,419 S *	1/2014	Narita	D23/233
D692,984 S *	11/2013	Tamura et al.	D23/233	D698,898 S *	2/2014	Tamura et al.	D23/233
D692,985 S *	11/2013	Tamura et al.	D23/233	D698,899 S *	2/2014	Narita	D23/233
D693,431 S *	11/2013	Tamura et al.	D23/233	D698,900 S *	2/2014	Narita	D23/233
D693,903 S *	11/2013	Tamura et al.	D23/233	D698,901 S *	2/2014	Narita	D23/233
D694,363 S *	11/2013	Narita	D23/233	D699,323 S *	2/2014	Narita	D23/233
D694,364 S *	11/2013	Narita	D23/233	D702,321 S *	4/2014	Narita	D23/233
					D704,303 S *	5/2014	Yoshimura et al.	D23/233
					D708,707 S *	7/2014	Matsumura	D23/233
					2014/0197341 A1 *	7/2014	Yoshimura et al.	251/129.15

* cited by examiner

Fig. 1

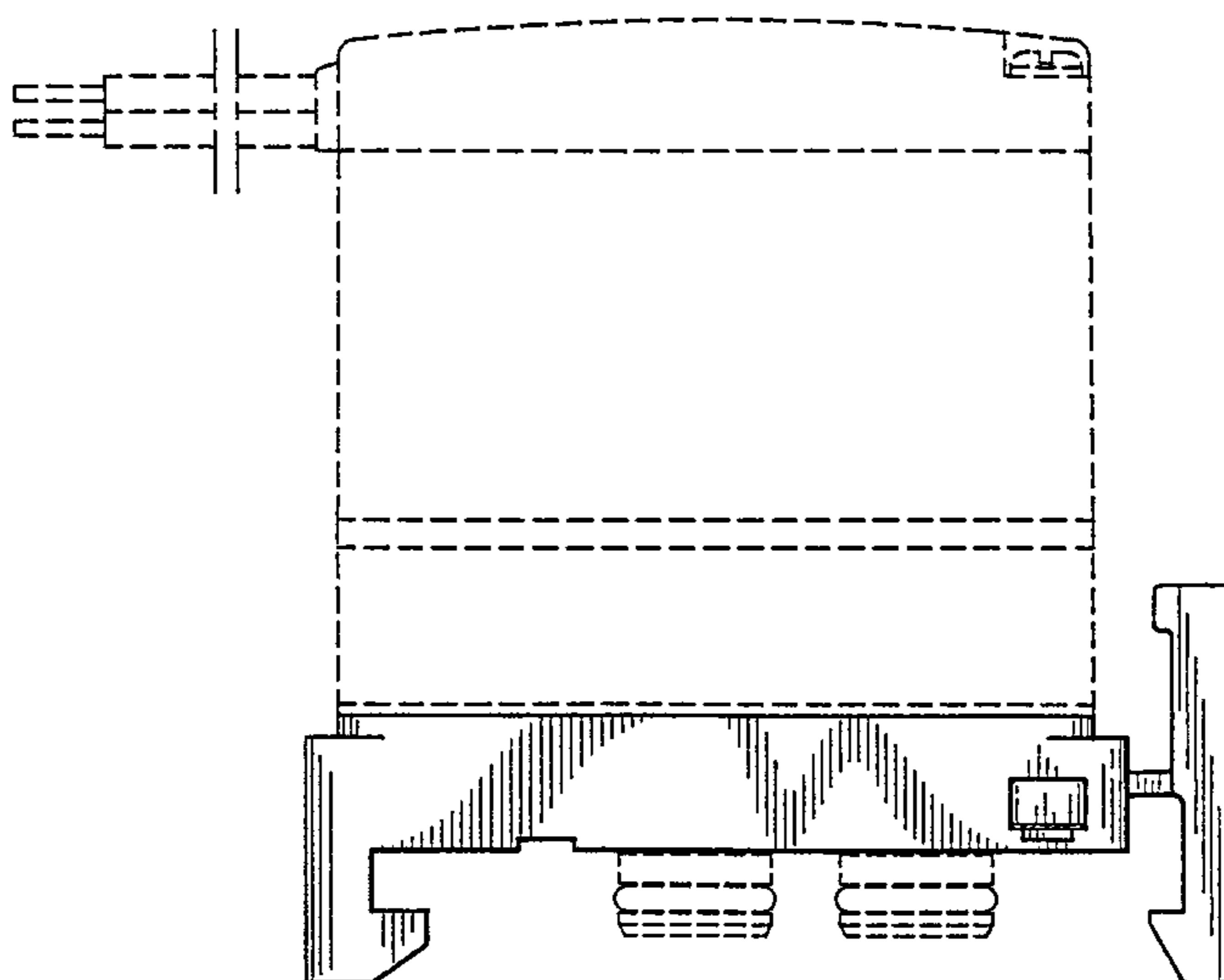


Fig. 2

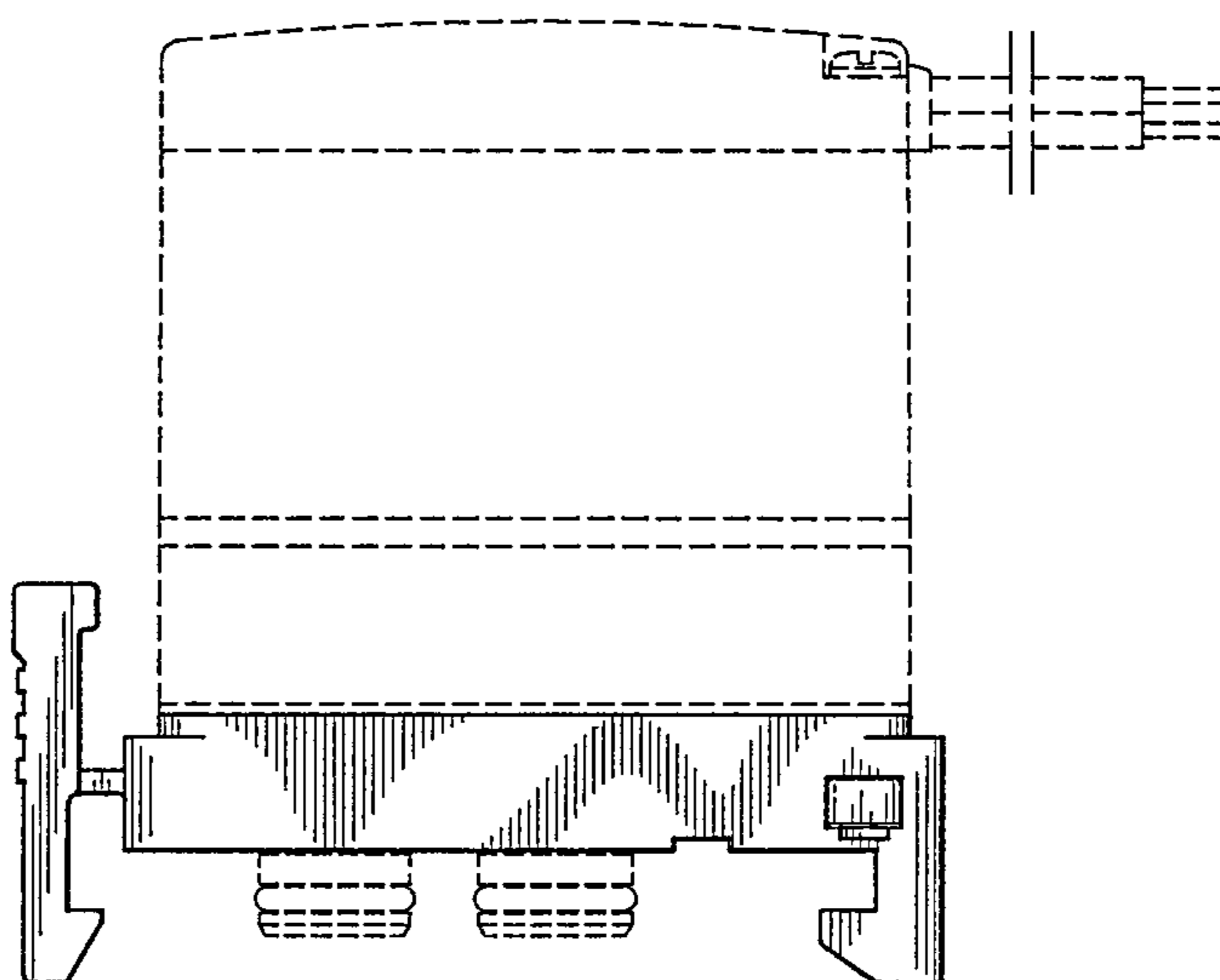


Fig. 3



Fig. 4

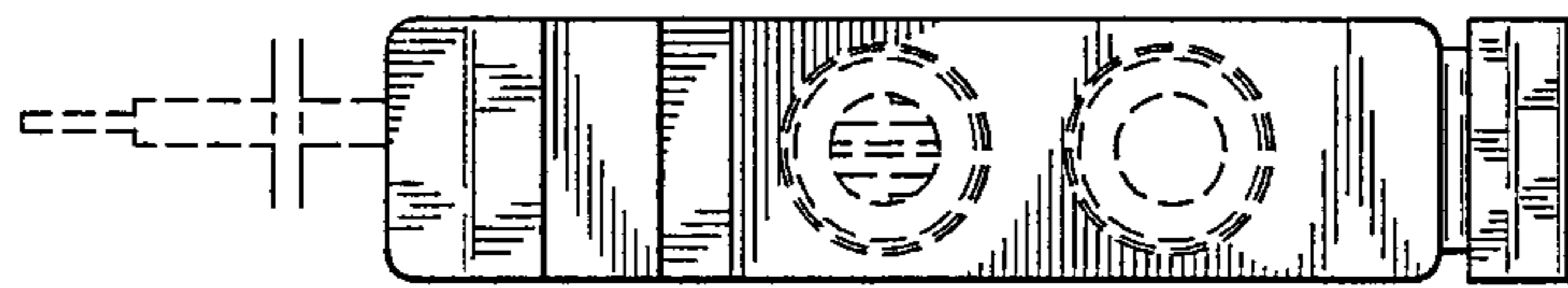


Fig. 5

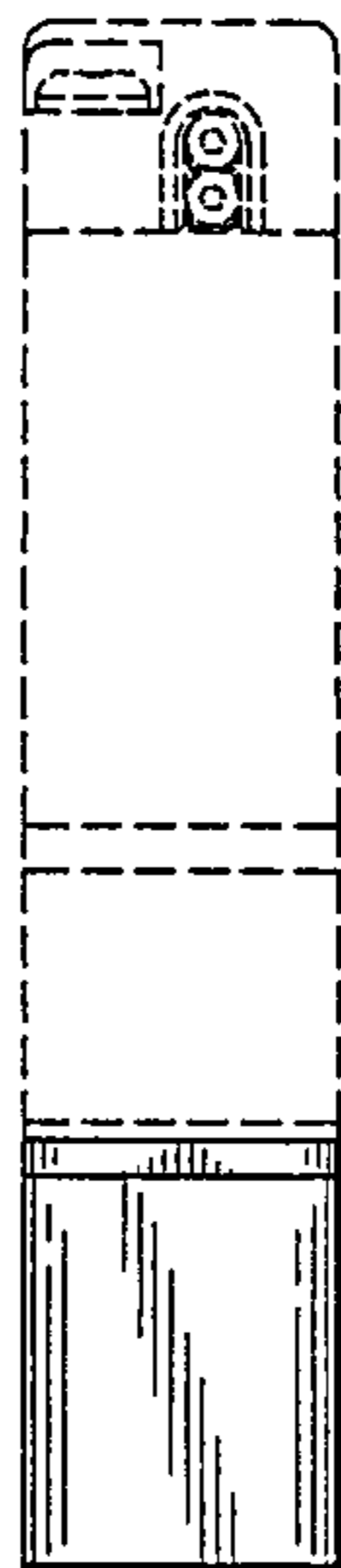


Fig. 6

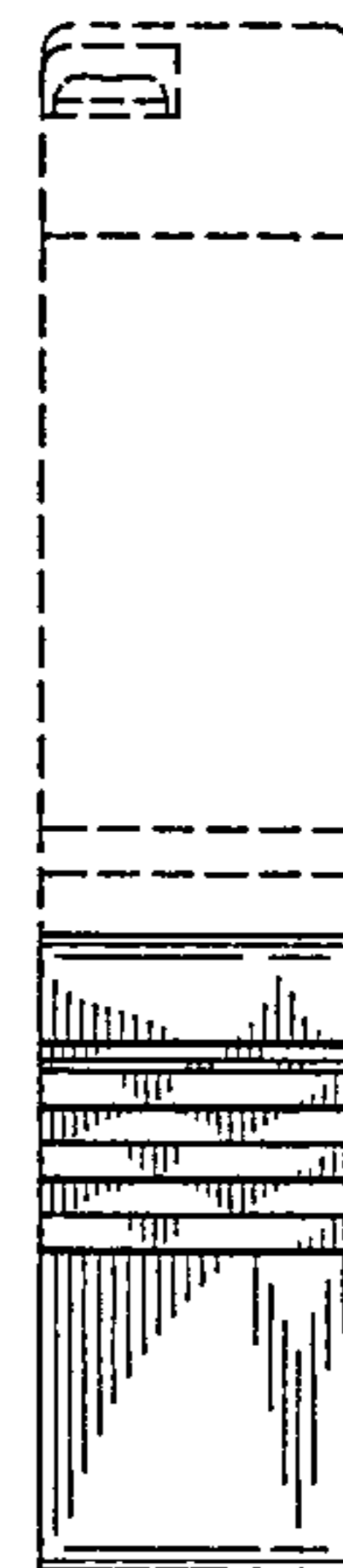


Fig. 7

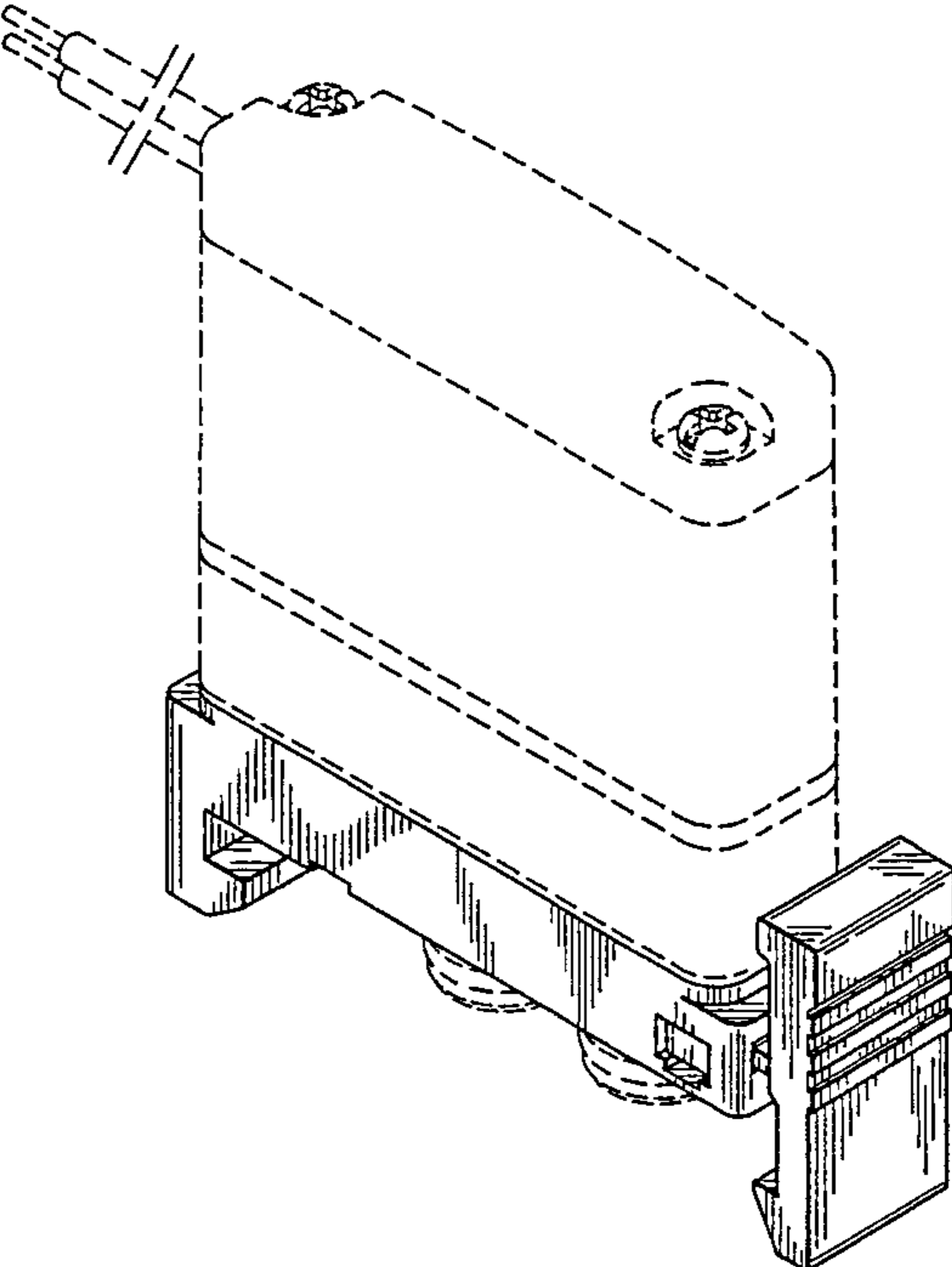


Fig. 8

