



US00D721786S

(12) **United States Design Patent**
Bisio et al.

(10) **Patent No.:** **US D721,786 S**
(45) **Date of Patent:** **** Jan. 27, 2015**

(54) **VALVE**

(71) Applicant: **F.I.P. Formatura Iniezione Polimeri S.p.A.**, Genoa (IT)

(72) Inventors: **Andrea Bisio**, Casella (IT); **Corrado Mazzacano**, Casella (IT)

(73) Assignee: **F.I.P. Formatura Iniezione Polimeri S.p.A.**, Casella (IT)

(**) Term: **14 Years**

(21) Appl. No.: **29/444,035**

(22) Filed: **Jan. 25, 2013**

(30) **Foreign Application Priority Data**

Jul. 26, 2012 (EM) 002079707

(51) **LOC (10) Cl.** **23-01**

(52) **U.S. Cl.**
USPC **D23/233**

(58) **Field of Classification Search**
USPC D23/233-237, 244-249; 251/310,
251/315.14, 315.16
See application file for complete search history.

(56) **References Cited**

U.S. PATENT DOCUMENTS

4,023,773	A *	5/1977	Wise	251/148
4,667,928	A *	5/1987	Davatz et al.	251/315.13
5,232,200	A *	8/1993	Combeau	251/315.01
D366,693	S *	1/1996	Gregor	D23/245
D522,618	S *	6/2006	Matsushita	D23/245
7,306,010	B2 *	12/2007	Gruener, Sr.	137/797
D603,480	S *	11/2009	Ibanez Sapina	D23/233
D609,306	S *	2/2010	Moriyama	D23/233
D616,068	S *	5/2010	Collins	D23/233

* cited by examiner

Primary Examiner — Cynthia Ramirez

(74) *Attorney, Agent, or Firm* — Dickstein Shapiro LLP

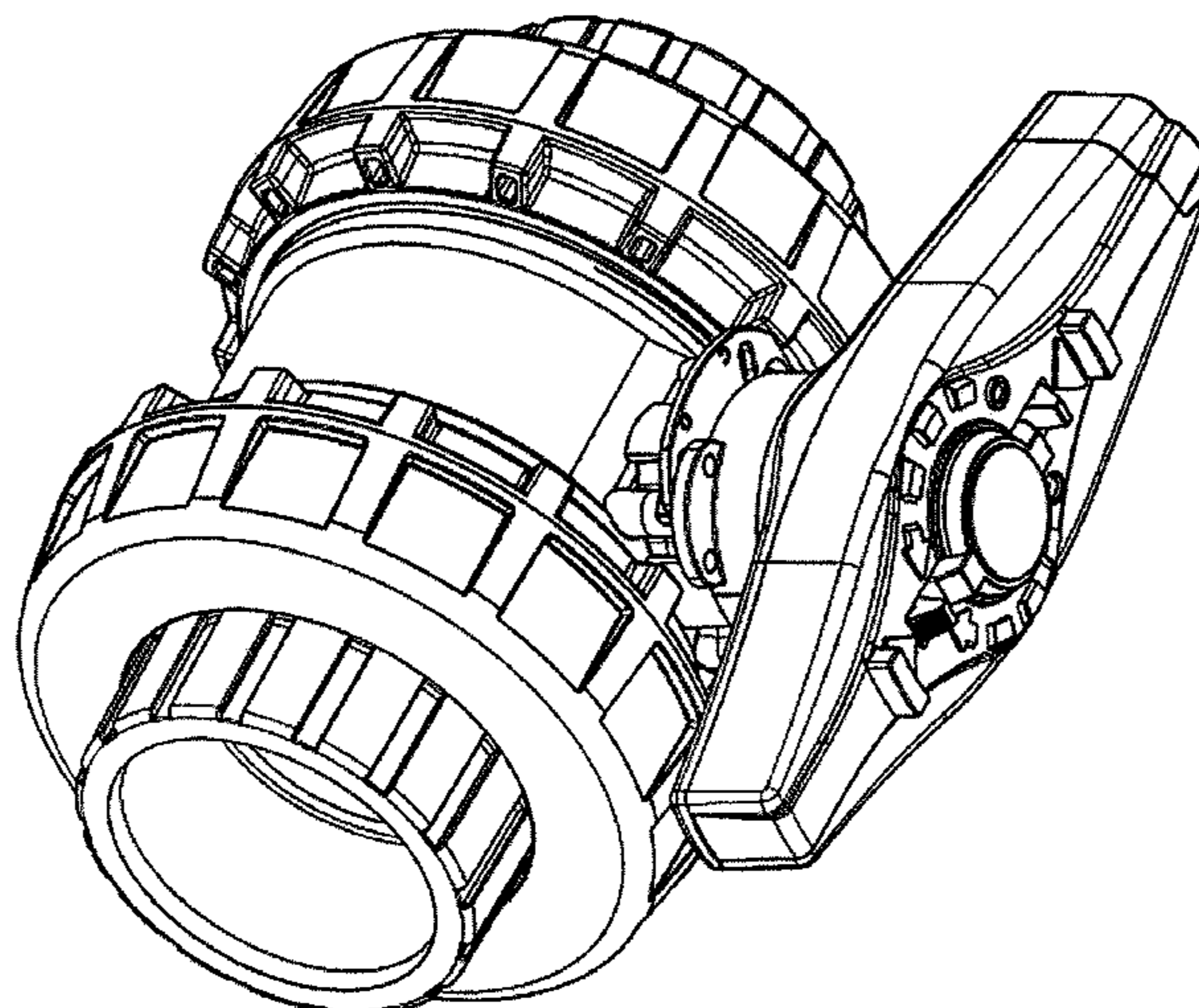
(57) **CLAIM**

The ornamental design for a valve, as shown and described.

DESCRIPTION

FIG. 1 is a perspective view of the assembled valve of the present invention;
 FIG. 2 is a front view thereof;
 FIG. 3 is a rear view thereof;
 FIG. 4 is a bottom view thereof;
 FIG. 5 is a top view thereof;
 FIG. 6 is a right side view thereof;
 FIG. 7 is a left side view thereof;
 FIG. 8 is a perspective view of the handle of the valve;
 FIG. 9 is a front view of the valve handle;
 FIG. 10 is a rear view of the valve handle;
 FIG. 11 is a bottom view of the valve handle;
 FIG. 12 is a top view of the valve handle;
 FIG. 13 is a right side view of the valve handle;
 FIG. 14 is a left side view of the valve handle, showing also a tool received in a rest position of the valve handle;
 FIG. 15 is a perspective view of the valve handle with the tool in an extracted work position;
 FIG. 16 is a front view of the valve handle with the tool in the extracted work position;
 FIG. 17 is a rear view of the valve handle with the tool in the extracted work position;
 FIG. 18 is a bottom view of the valve handle with the tool in the extracted work position;
 FIG. 19 is a top view of the valve handle with the tool in the extracted work position;
 FIG. 20 is a right side view of the valve handle with the tool in the extracted work position; and,
 FIG. 21 is a left side view of the valve handle with the tool in the extracted work position.
 The valve handle is shown separated from the valve in FIGS. 8 through 21 for convenience of illustration.

1 Claim, 21 Drawing Sheets



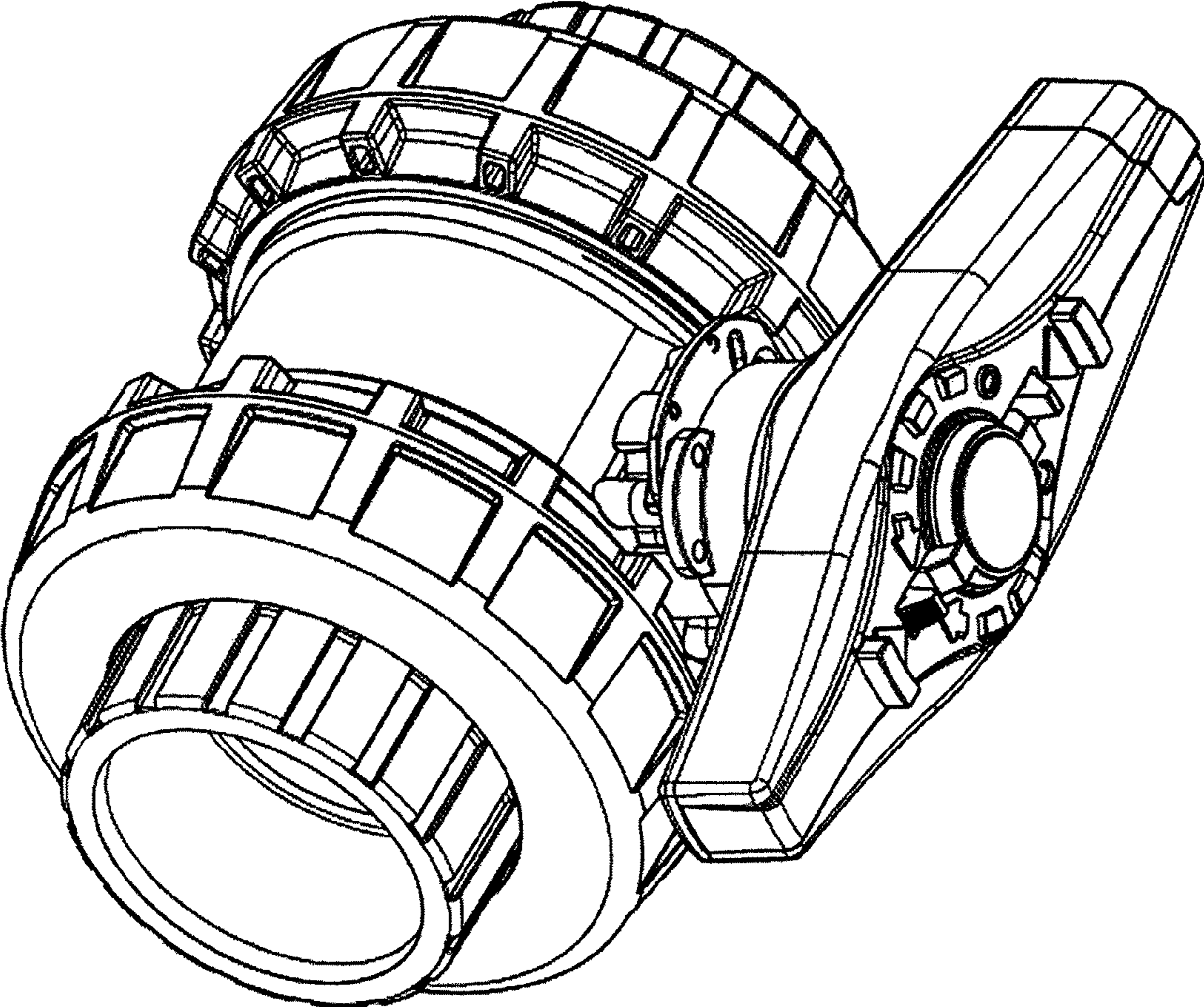


FIG. 1

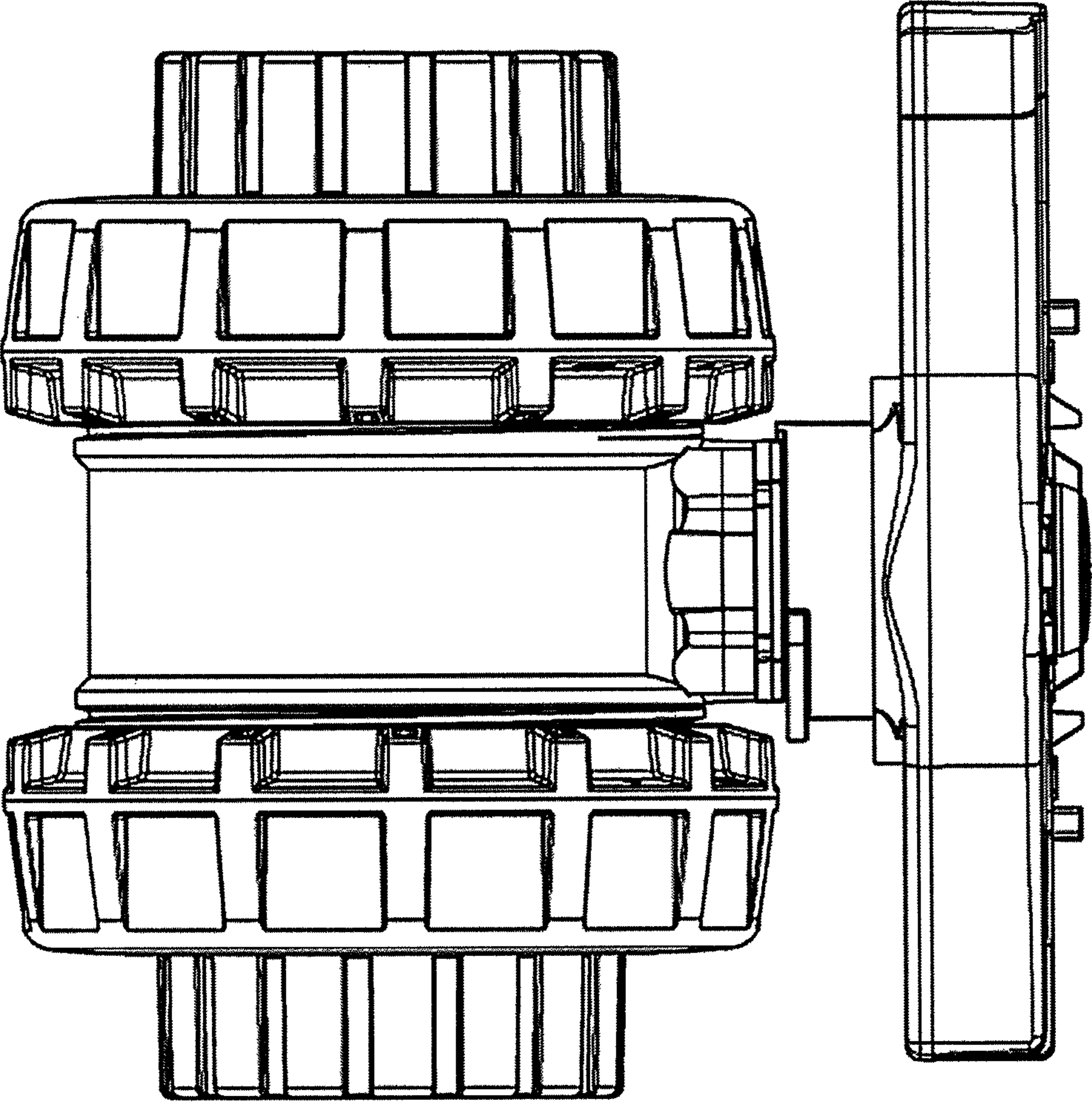


FIG. 2

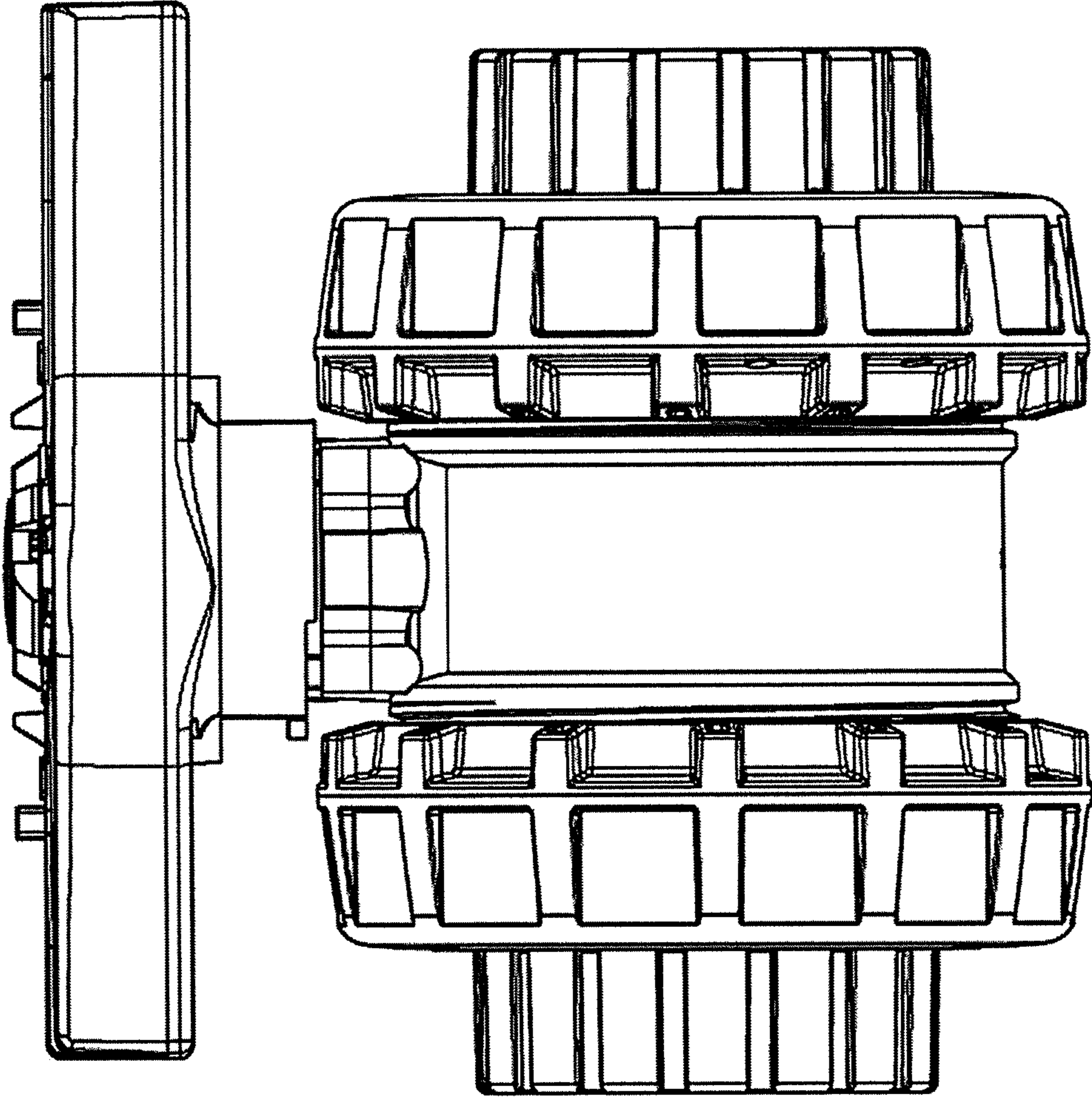


FIG. 3

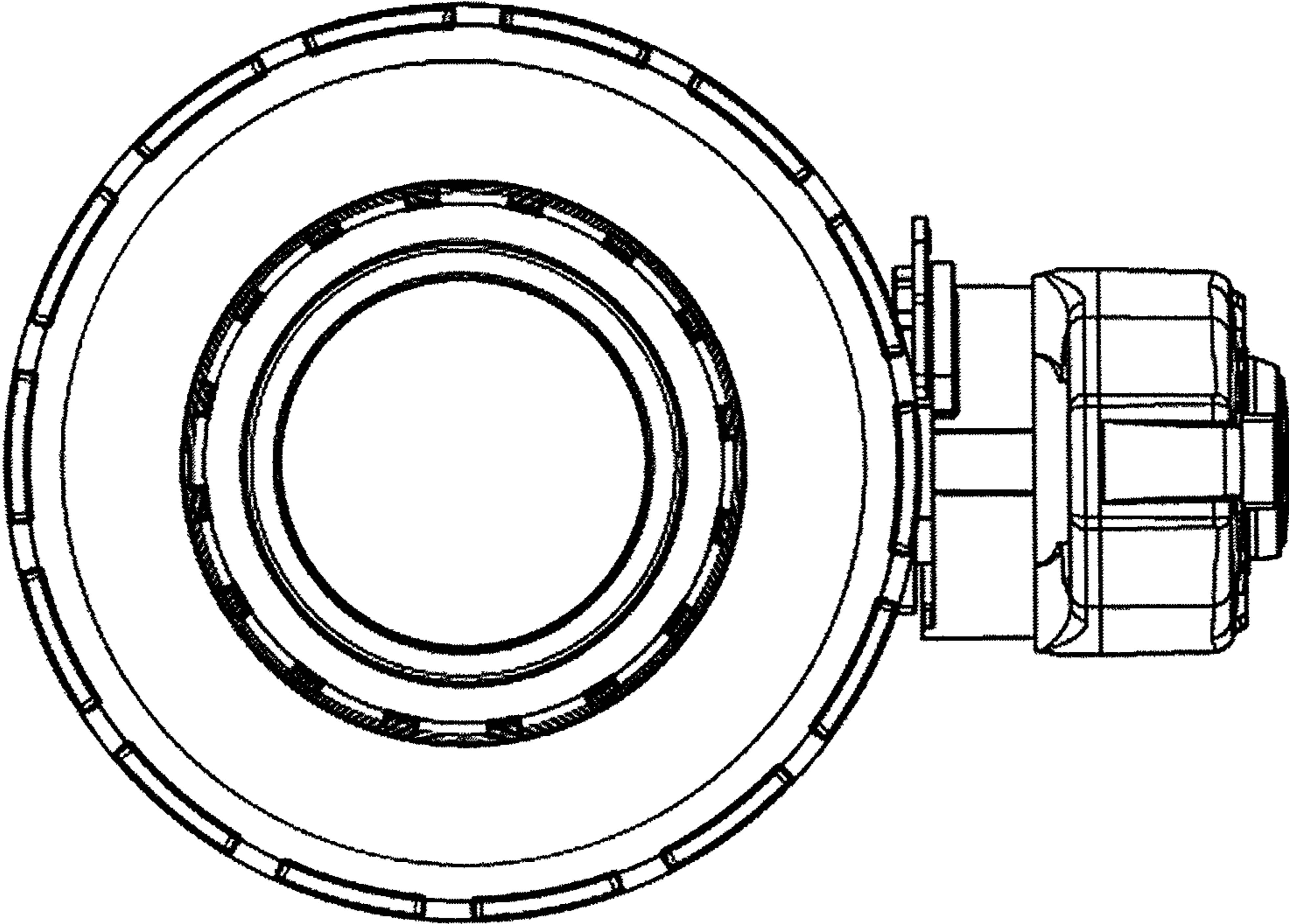


FIG. 4

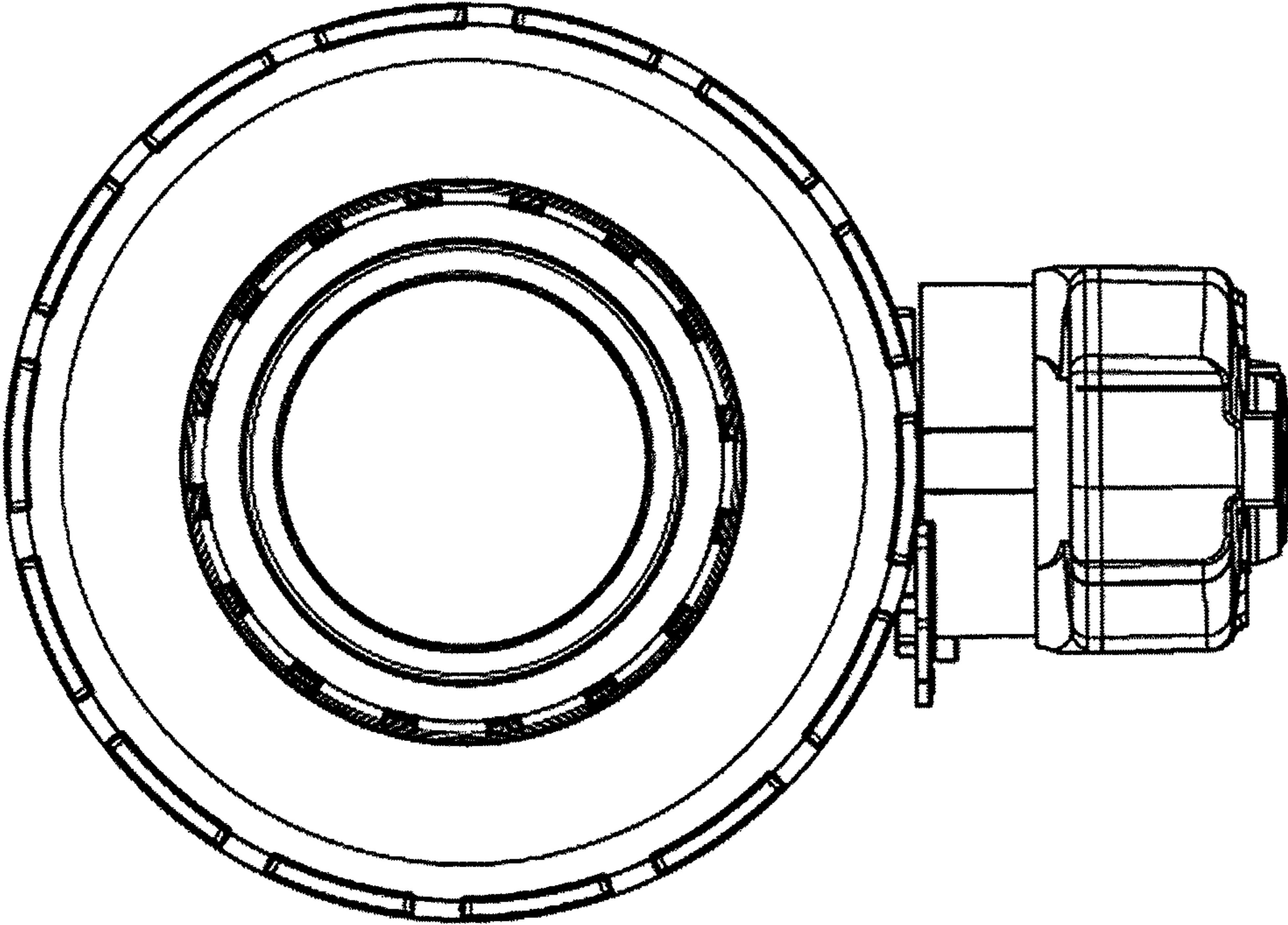


FIG. 5

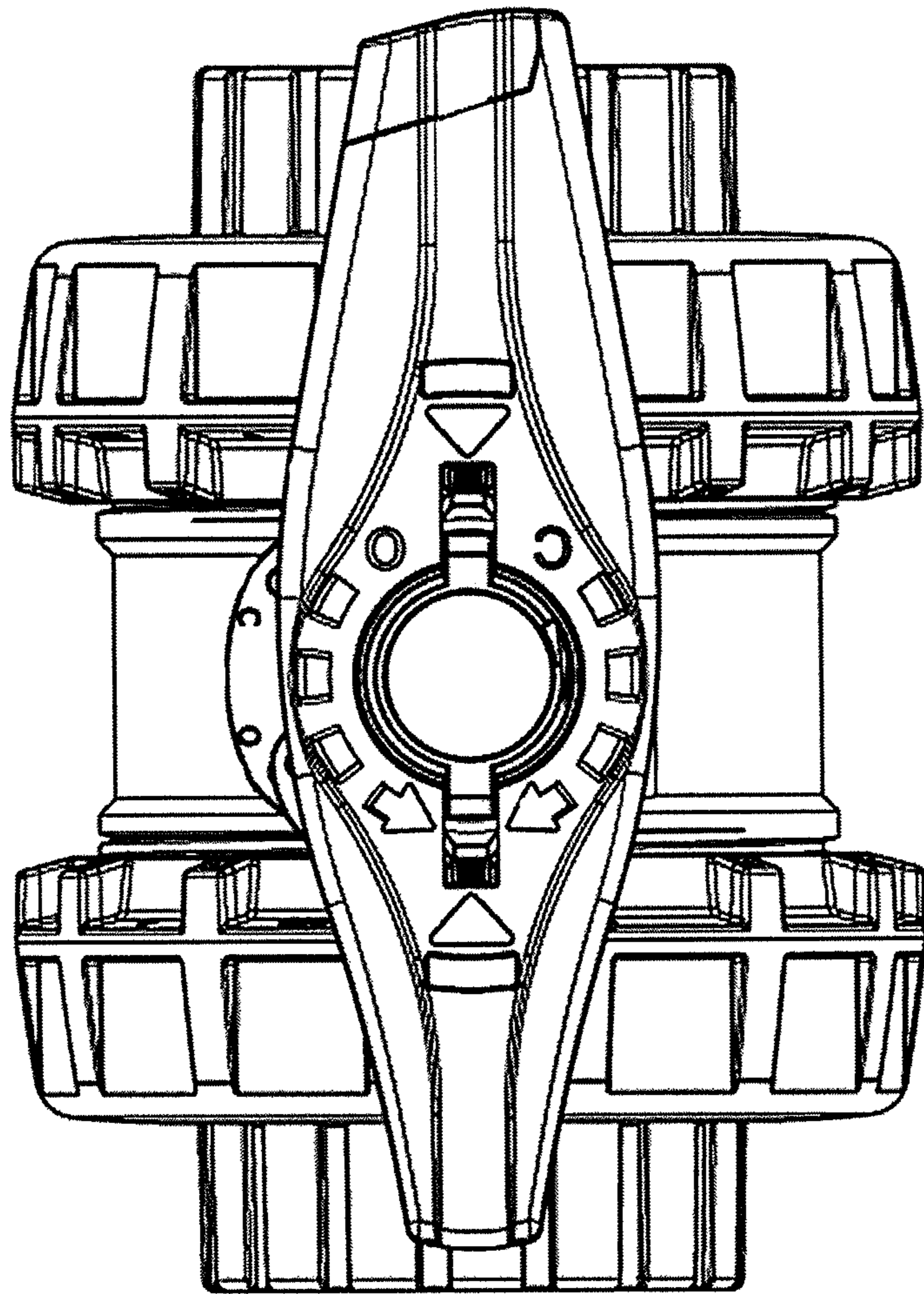


FIG. 6

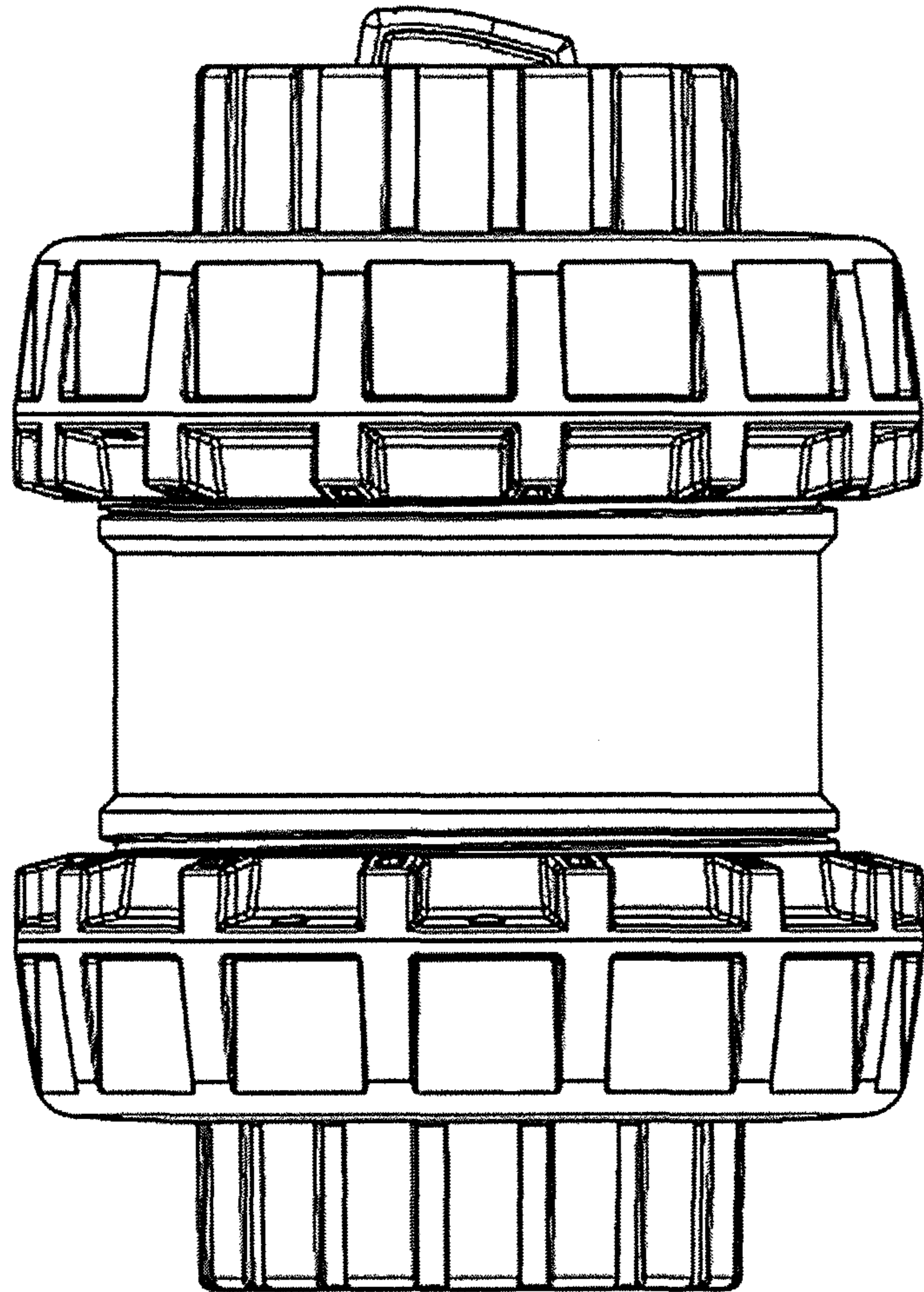


FIG. 7

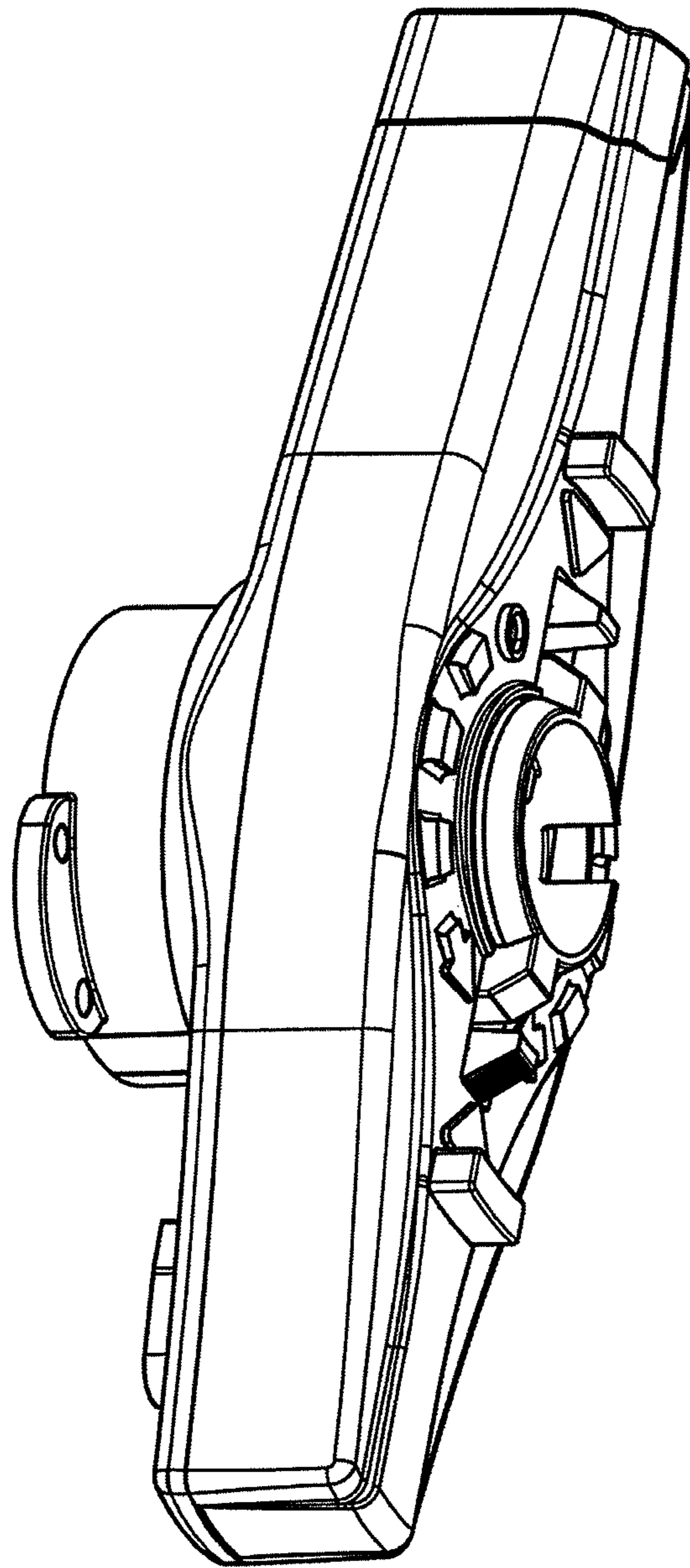


FIG. 8

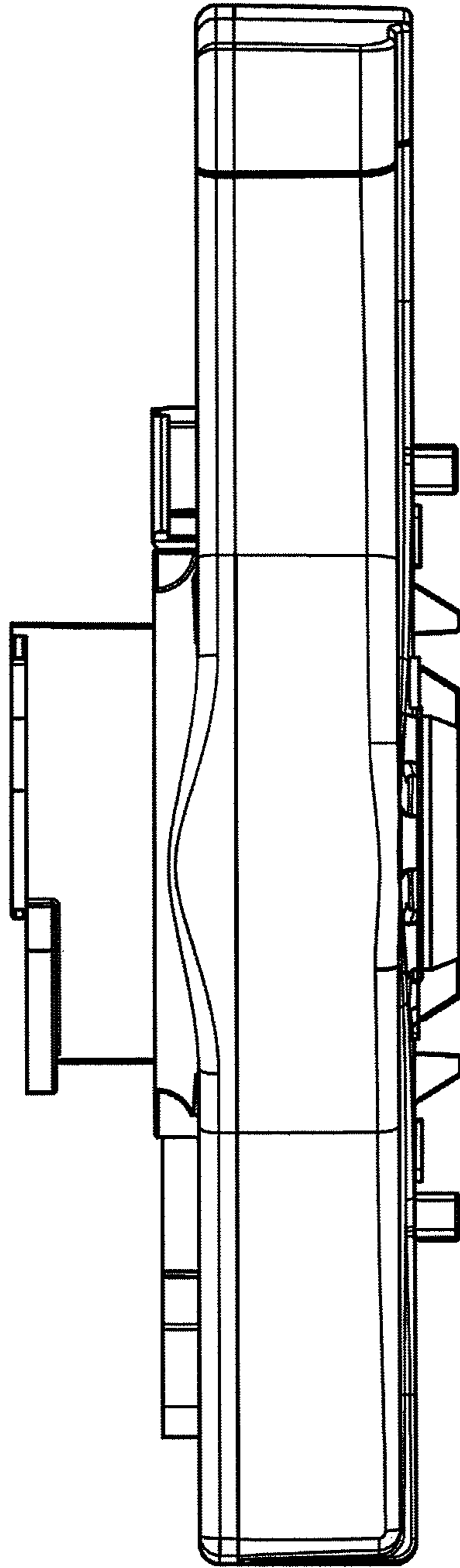


FIG. 9

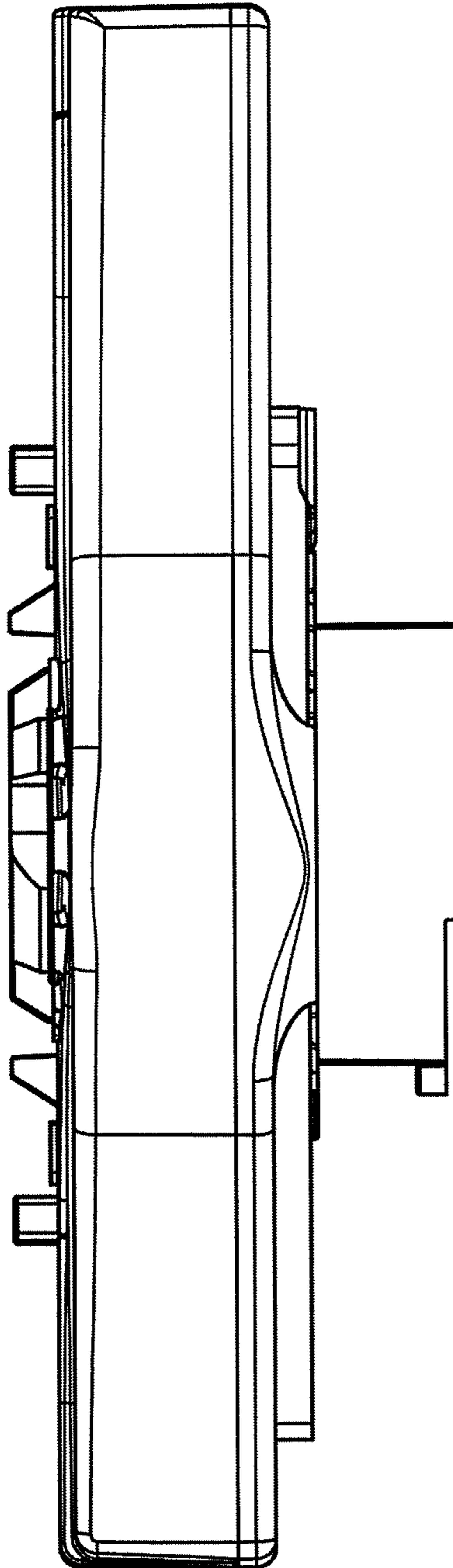


FIG. 10

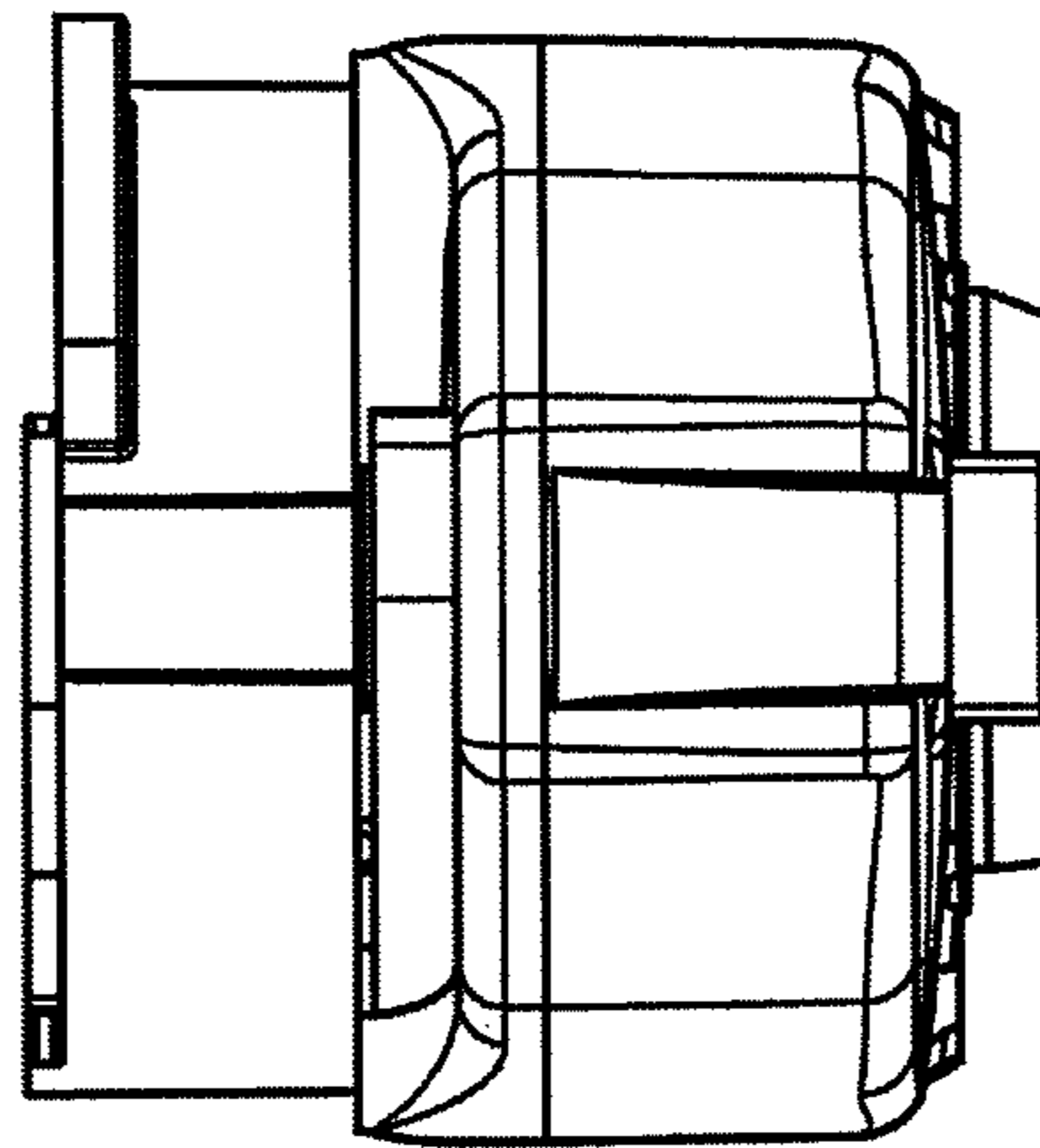


FIG. 11

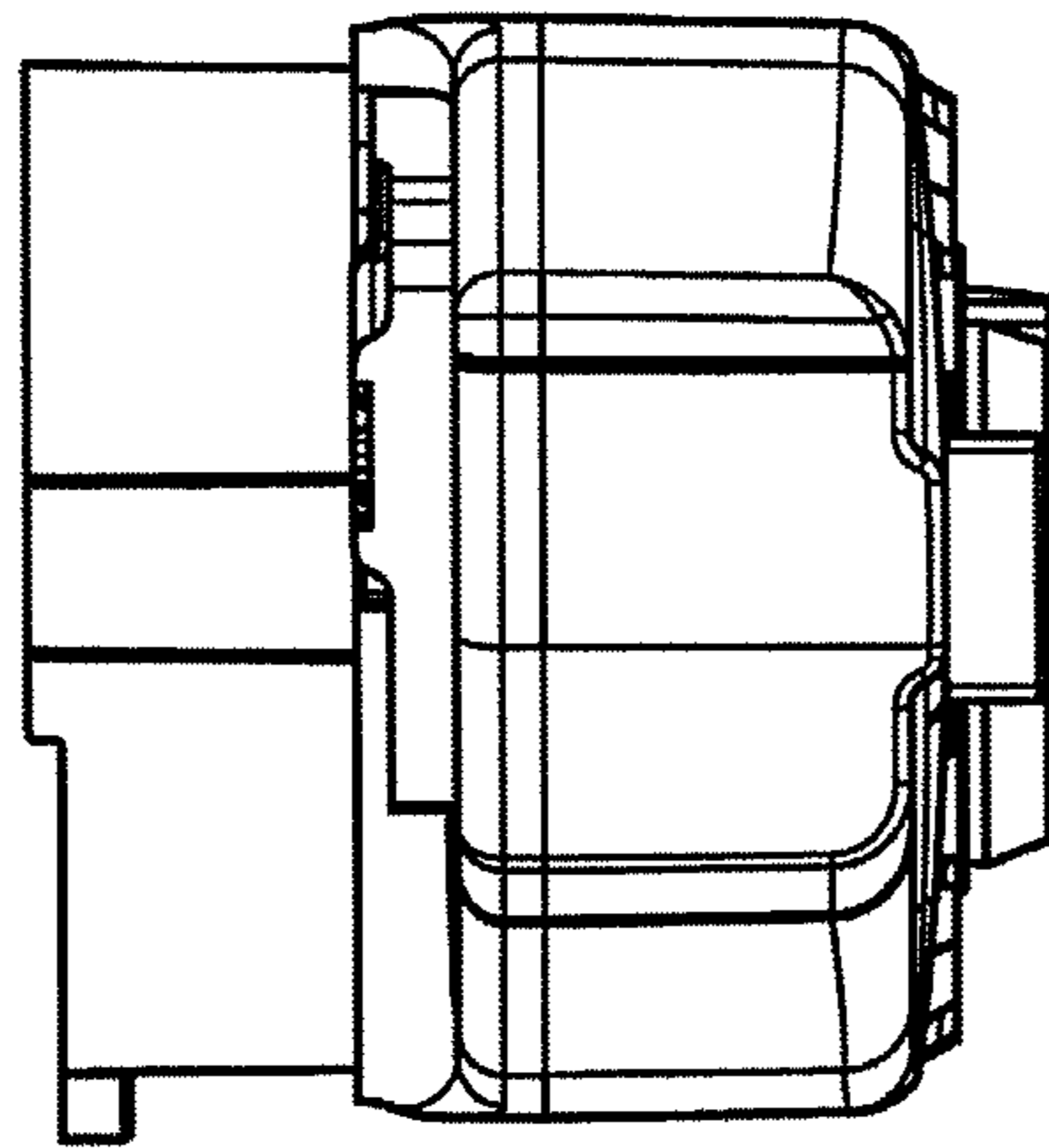


FIG. 12

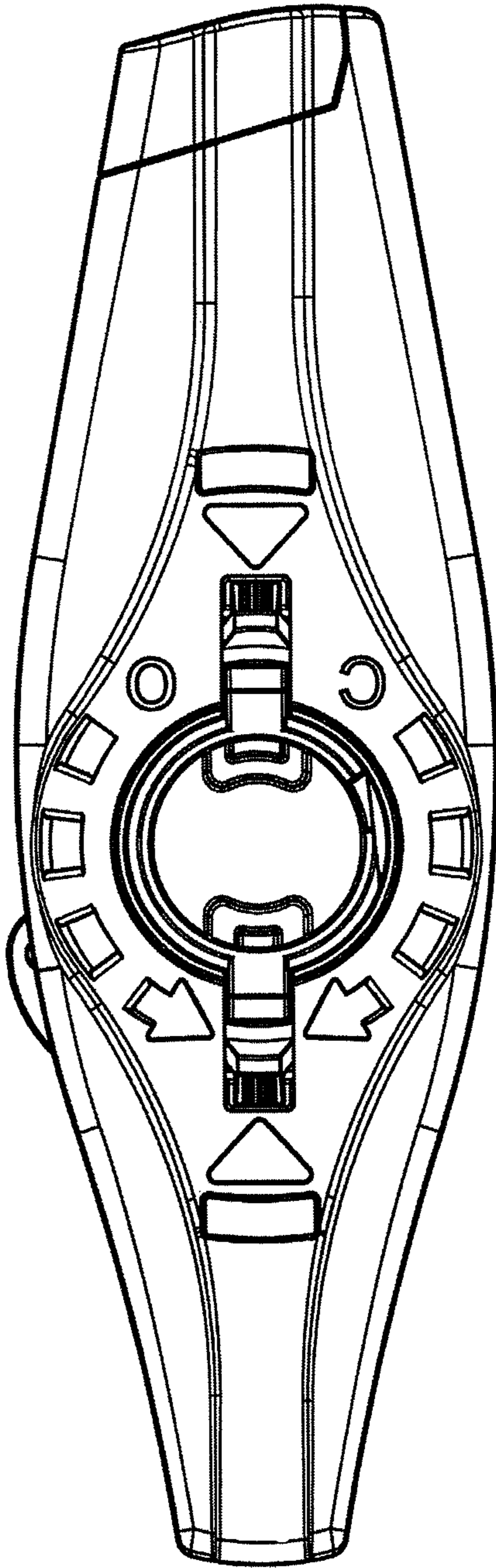


FIG. 13

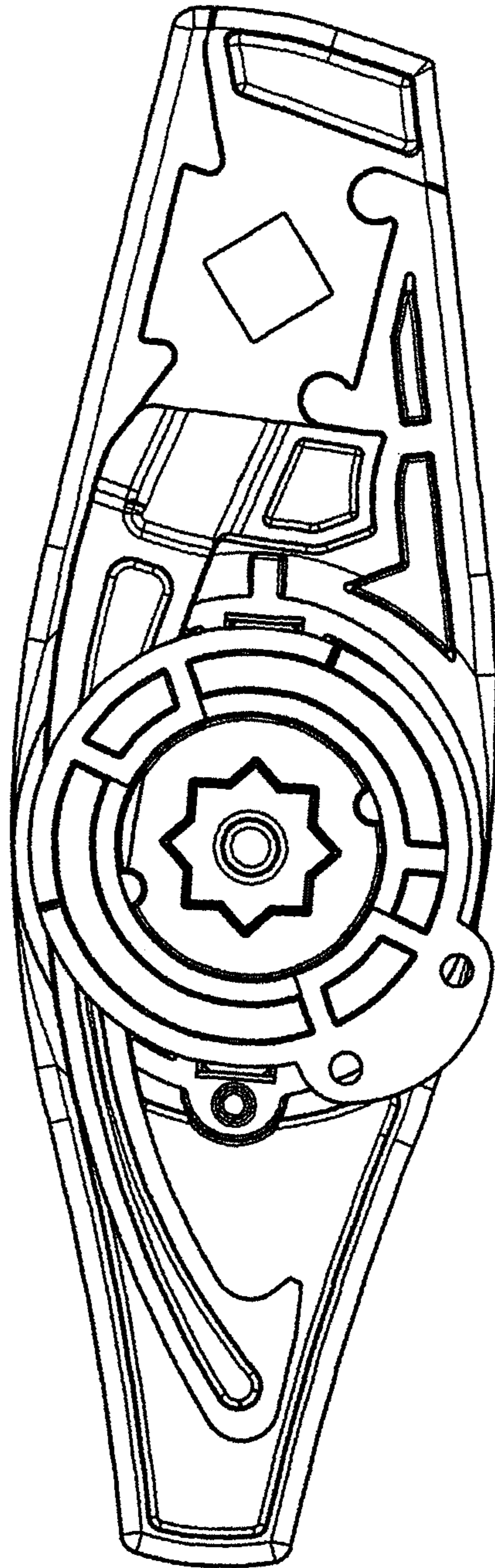


FIG. 14

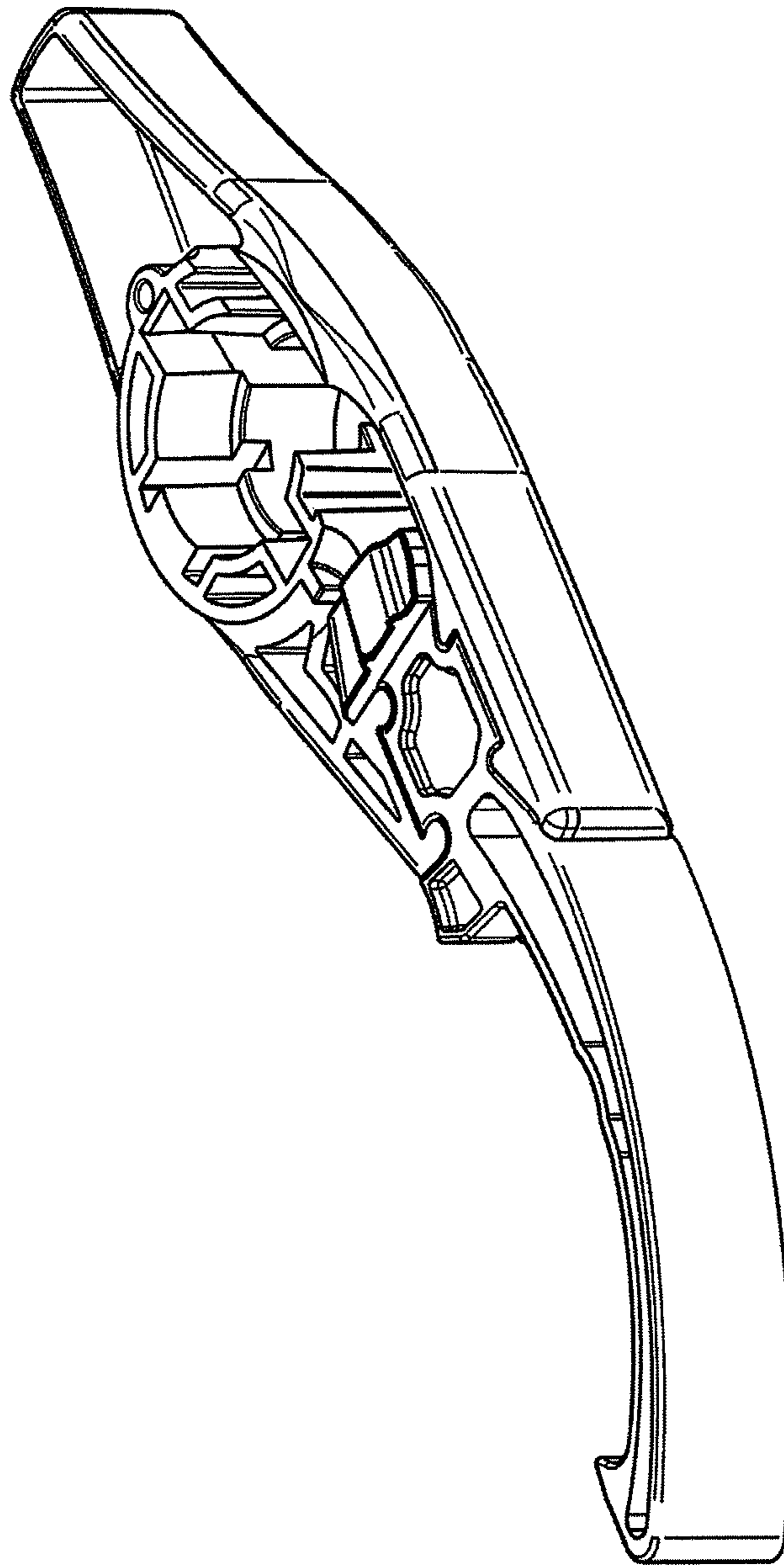


FIG. 15

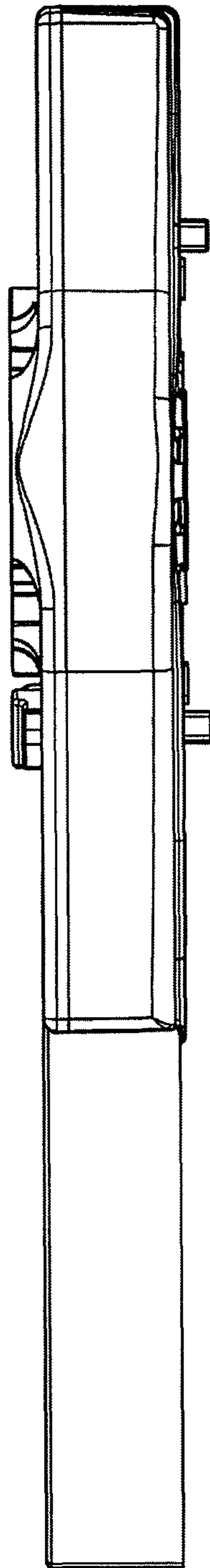


FIG. 16

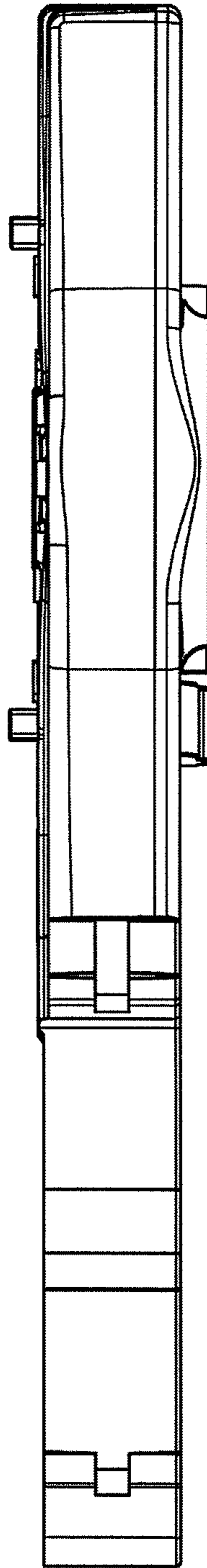


FIG. 17

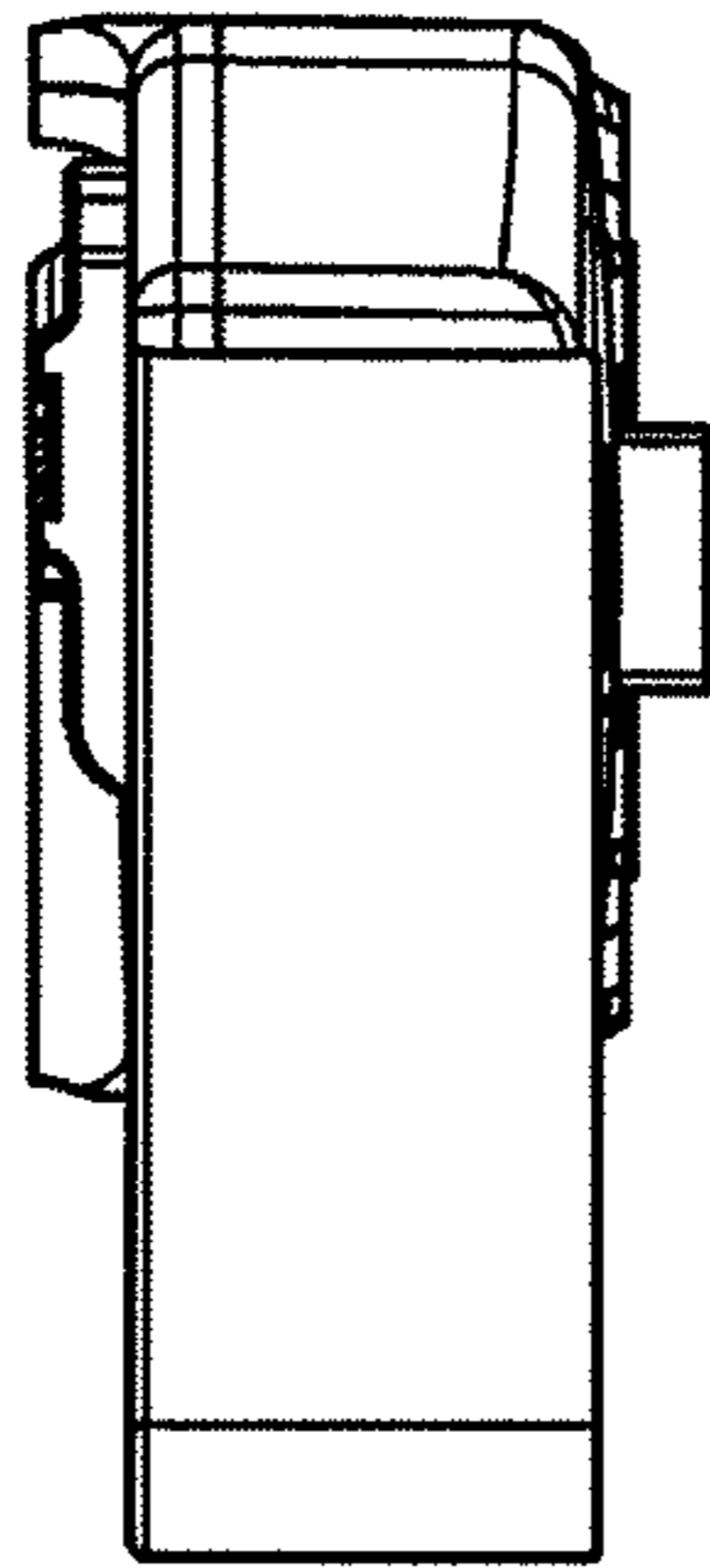


FIG. 18

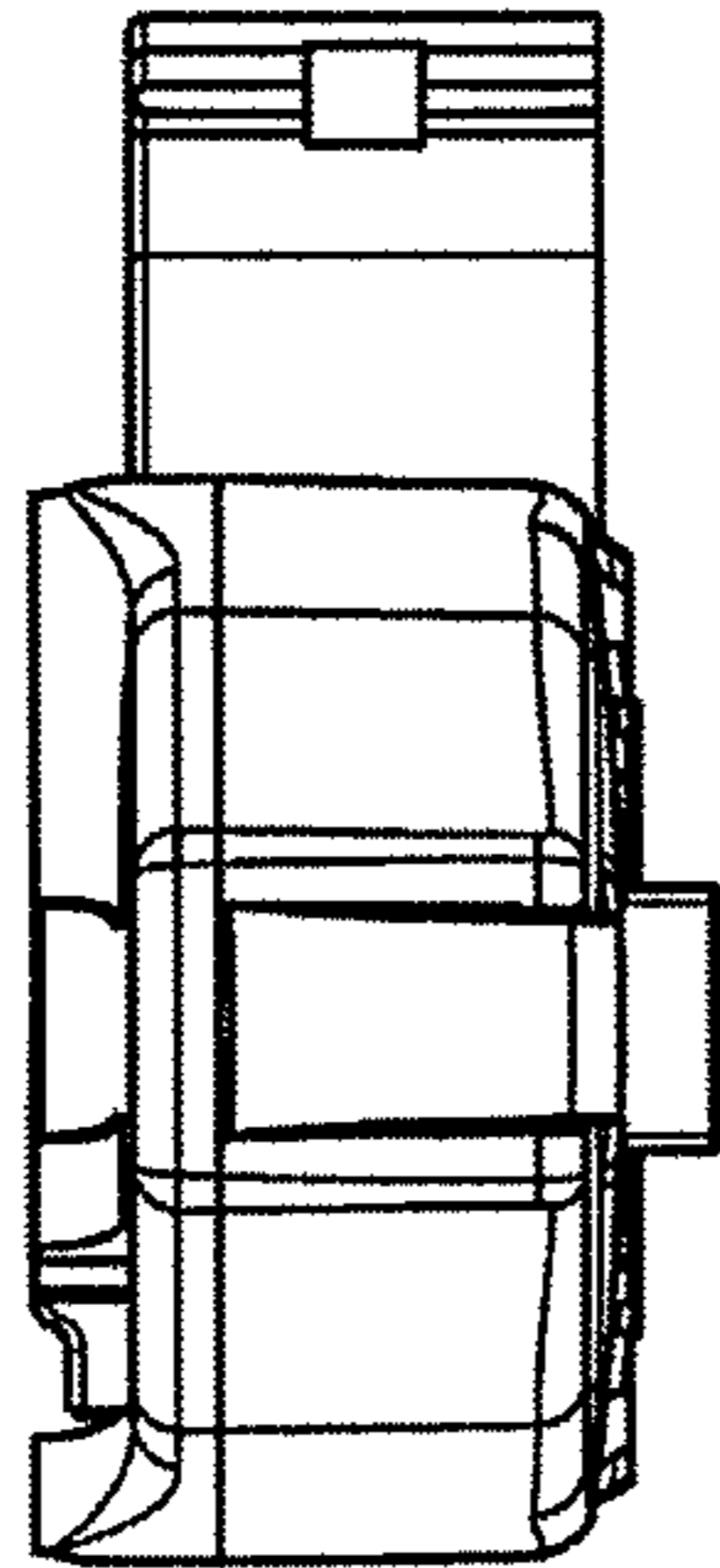


FIG. 19

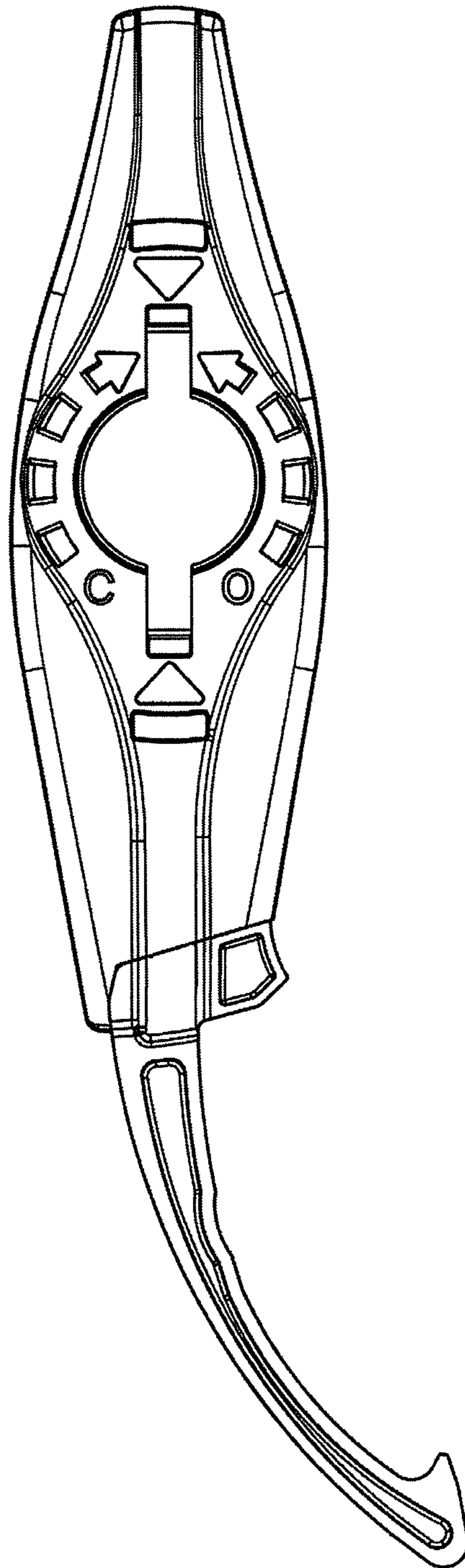


FIG. 20

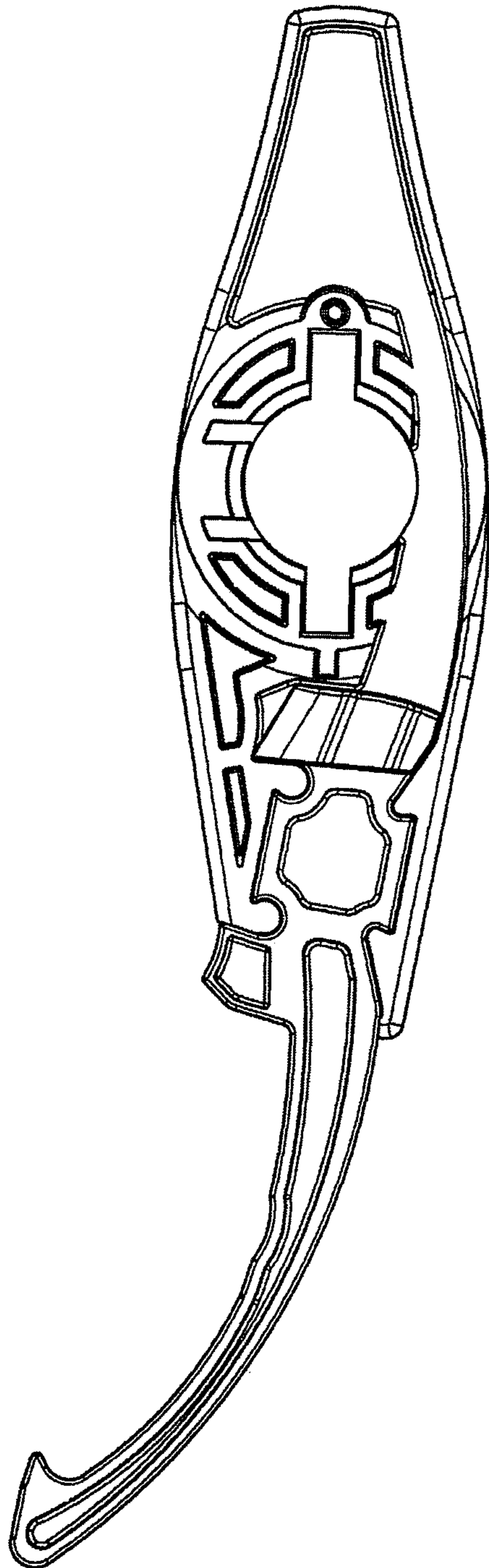


FIG. 21