



US00D721785S

(12) **United States Design Patent**
Gehrung

(10) **Patent No.:** **US D721,785 S**
(45) **Date of Patent:** **** Jan. 27, 2015**

(54) **PAINT SPRAY GUN CLIP**
(71) Applicant: **SATA GmbH & Co. KG**, Kornwestheim (DE)
(72) Inventor: **Ralf Gehrung**, Stuttgart (DE)
(73) Assignee: **SATA GmbH & Co. KG**, Kornwestheim (DE)

(**) Term: **14 Years**
(21) Appl. No.: **29/486,223**

(22) Filed: **Mar. 27, 2014**

(30) **Foreign Application Priority Data**
Sep. 27, 2013 (CN) 2013 3 0463082
(51) **LOC (10) CL.** **23-01**
(52) **U.S. CL.**
USPC **D23/226; D8/394**
(58) **Field of Classification Search**
USPC D23/213, 223, 226; D8/394, 395;
361/227, 228; 239/71, 526, 690, 691,
239/290, 291
See application file for complete search history.

(56) **References Cited**
U.S. PATENT DOCUMENTS
D277,168 S * 1/1985 Clausen et al. D8/394
D393,201 S * 4/1998 Hearidge et al. D8/395
D412,965 S * 8/1999 Kieffer D23/226
D549,058 S * 8/2007 Shibata et al. D8/14
D589,337 S * 3/2009 Karlsson D8/394
D628,055 S * 11/2010 Mills D8/382

D644,716 S * 9/2011 Gehrung D23/226
D655,347 S 3/2012 Gehrung
D658,977 S * 5/2012 Riddell et al. D8/394

* cited by examiner

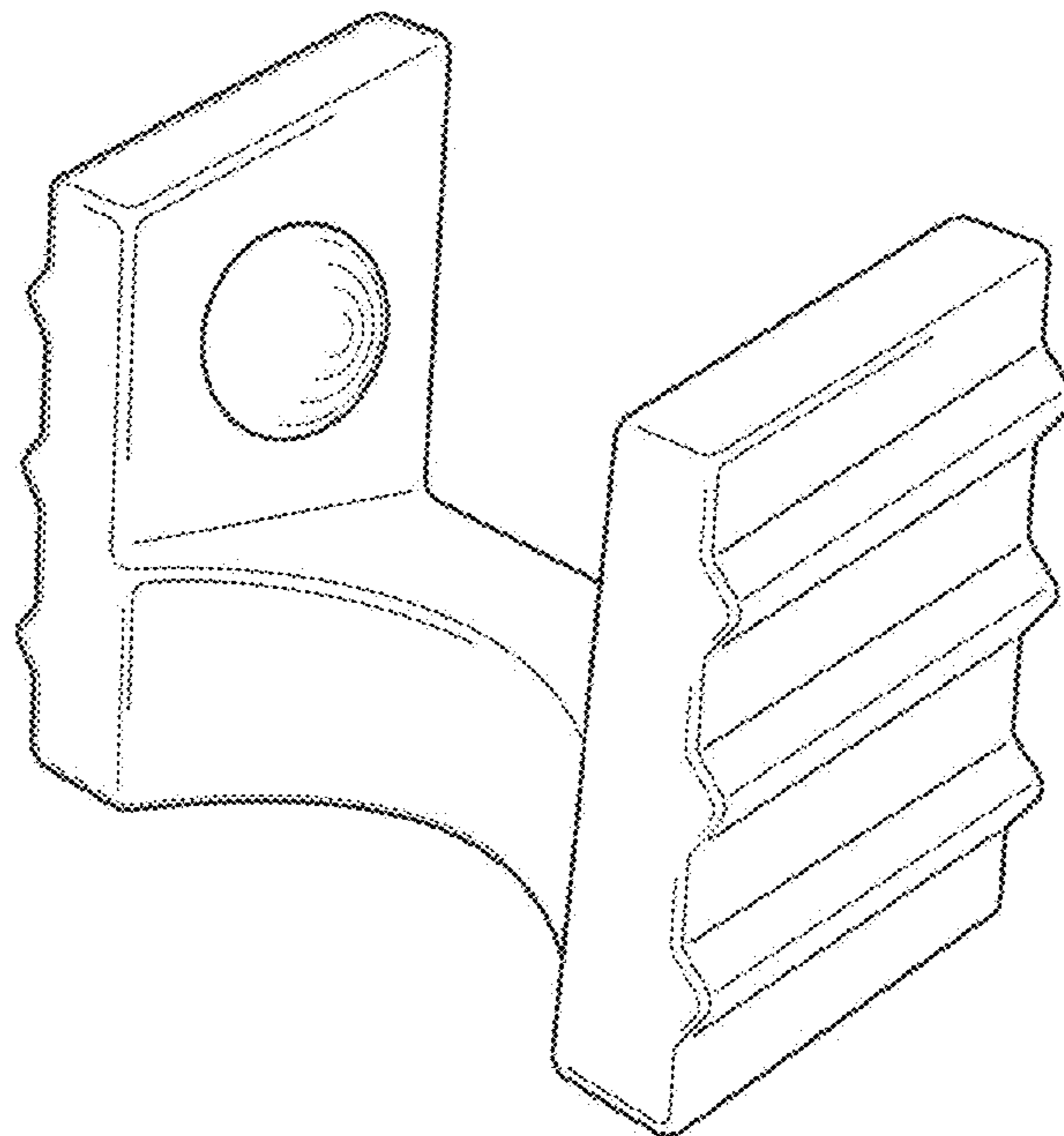
Primary Examiner — Robin V Webster
(74) *Attorney, Agent, or Firm* — Paul D. Bianco; Martin Fleit; Fleit Gibbons Gutman Bongini & Bianco PL

(57) **CLAIM**
The ornamental design for a paint spray gun clip, as shown and described.

DESCRIPTION

FIG. 1 is a left-side elevational view of a paint spray gun clip according to the present invention;
FIG. 2 is a right-side elevational view of the paint spray gun clip of FIG. 1;
FIG. 3 is a bottom plan view of the paint spray gun clip of FIG. 1;
FIG. 4 is a front, top, and left-side perspective view of the paint spray gun clip of FIG. 1;
FIG. 5 is a front elevational view of the paint spray gun clip of FIG. 1;
FIG. 6 is a rear elevational view of the paint spray gun clip of FIG. 1;
FIG. 7 is right-side elevational view of the paint spray gun clip of FIG. 1;
FIG. 8 is a left-side elevational view of the paint spray gun clip of FIG. 1;
FIG. 9 is a top plan view of the paint spray gun clip of FIG. 1; and,
FIG. 10 is a bottom plan view of the paint spray gun clip of FIG. 1.
The features shown in broken lines are for illustrative purposes only and form no part of the claimed design.

1 Claim, 10 Drawing Sheets



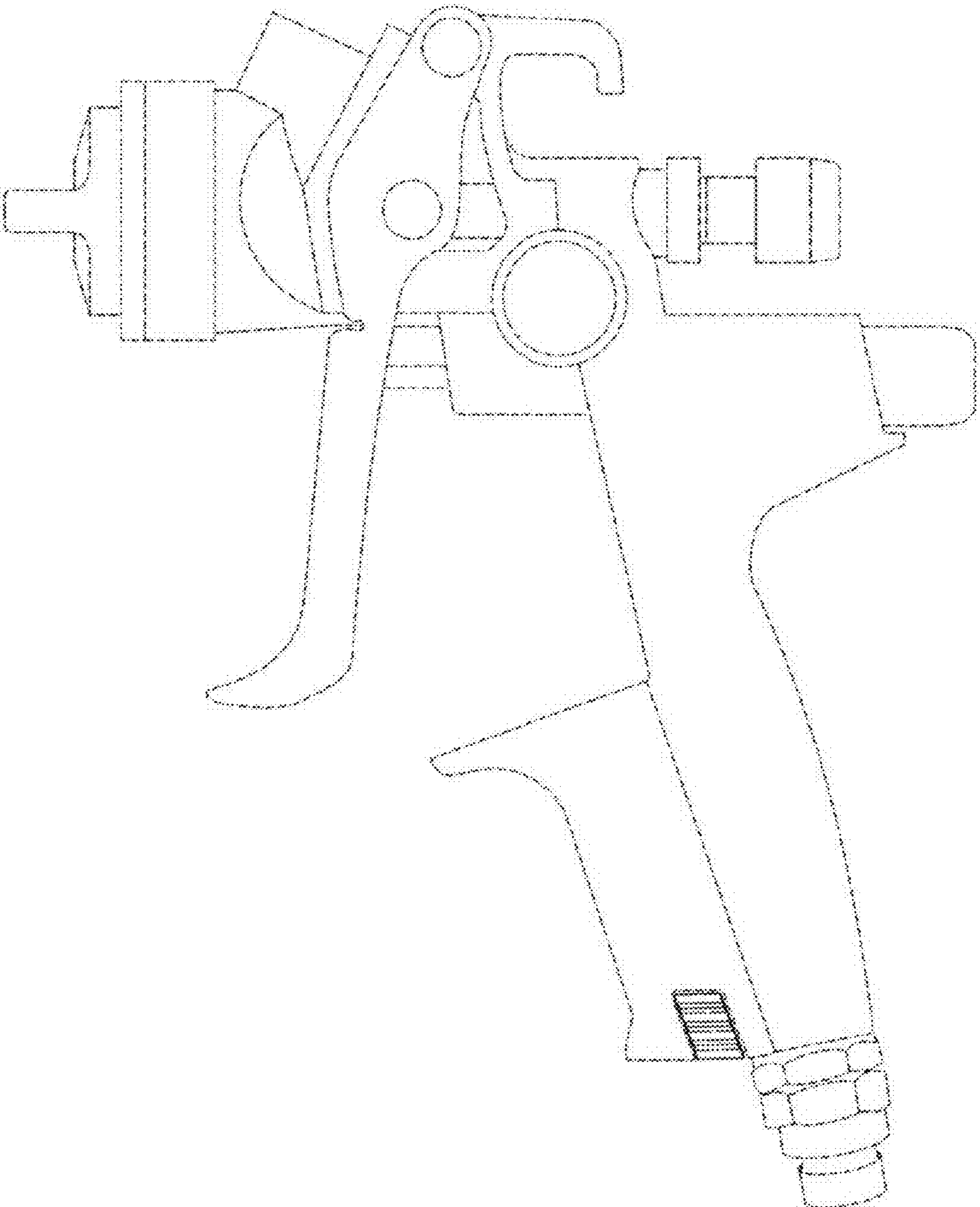


FIG. 1

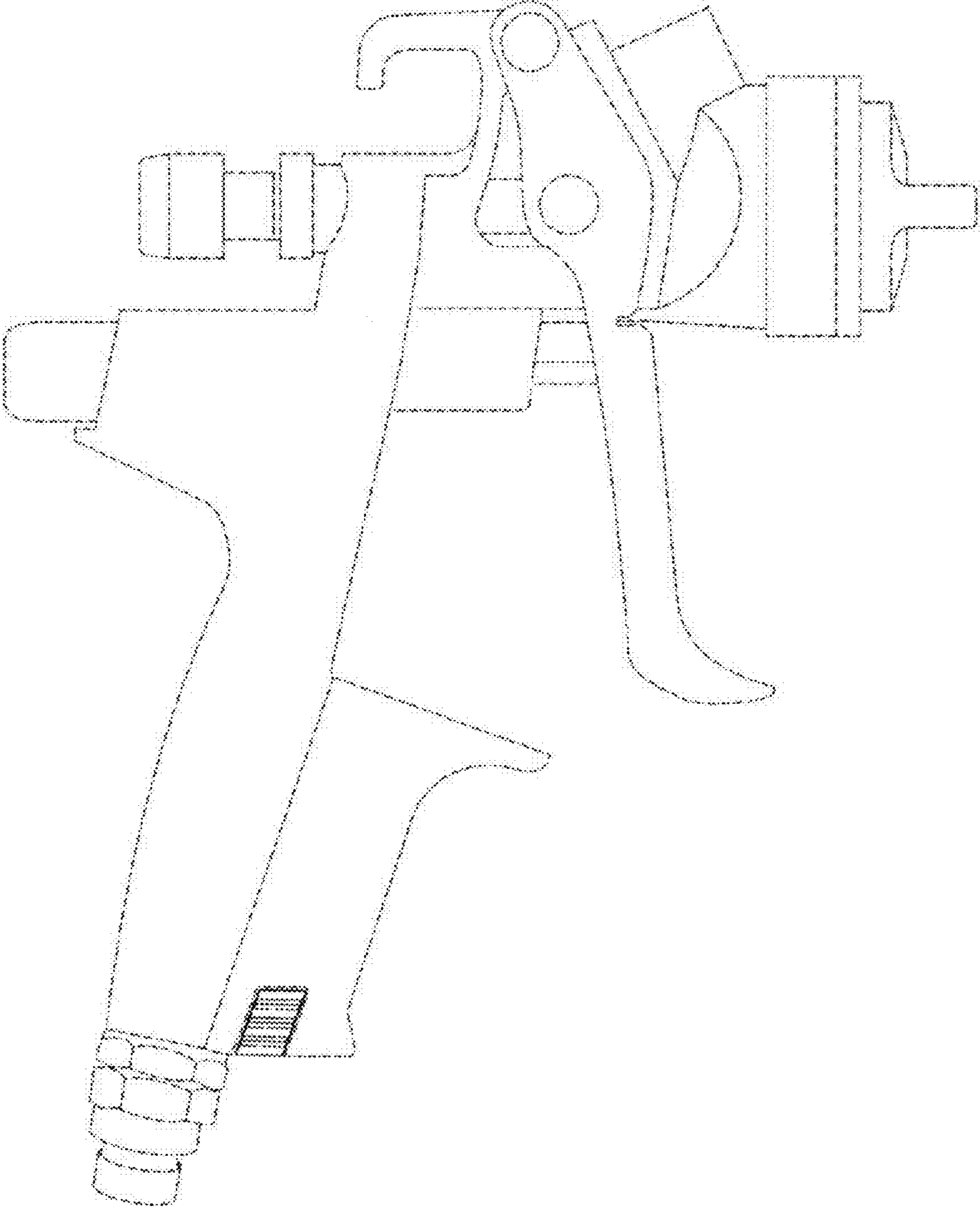


FIG. 2

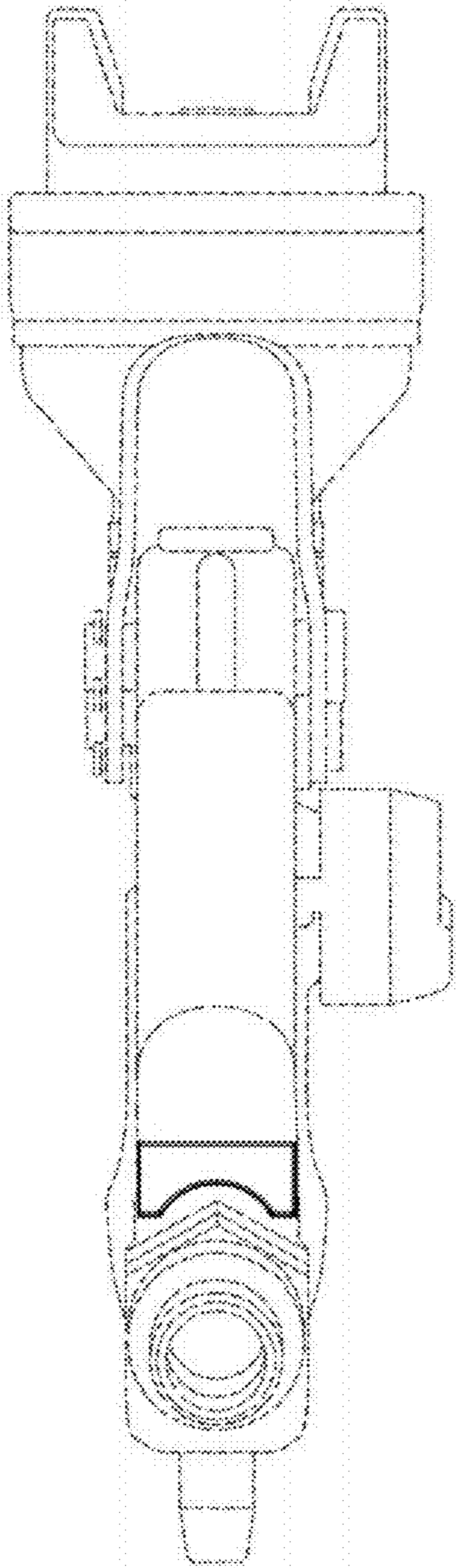


FIG. 3

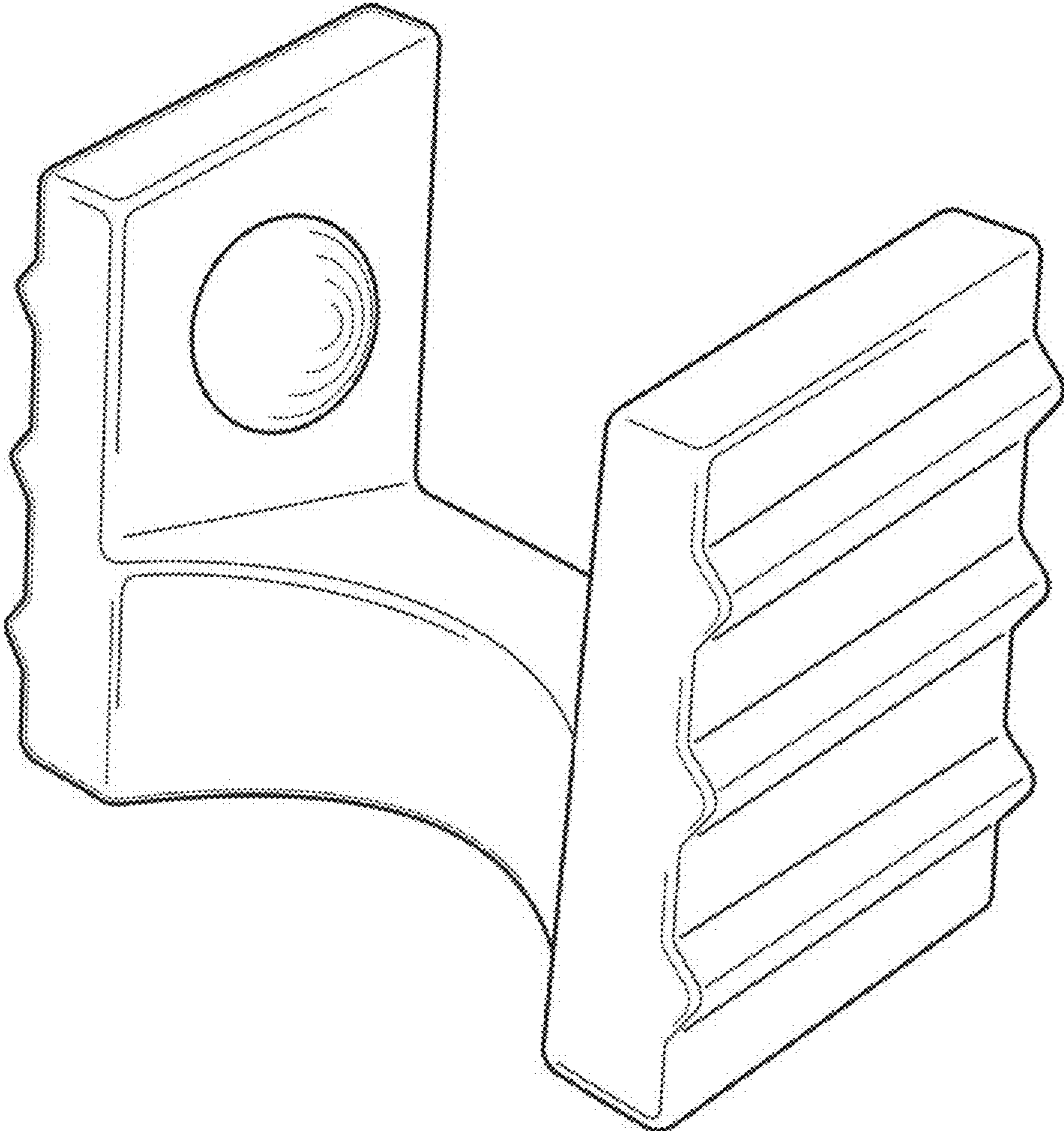


FIG. 4

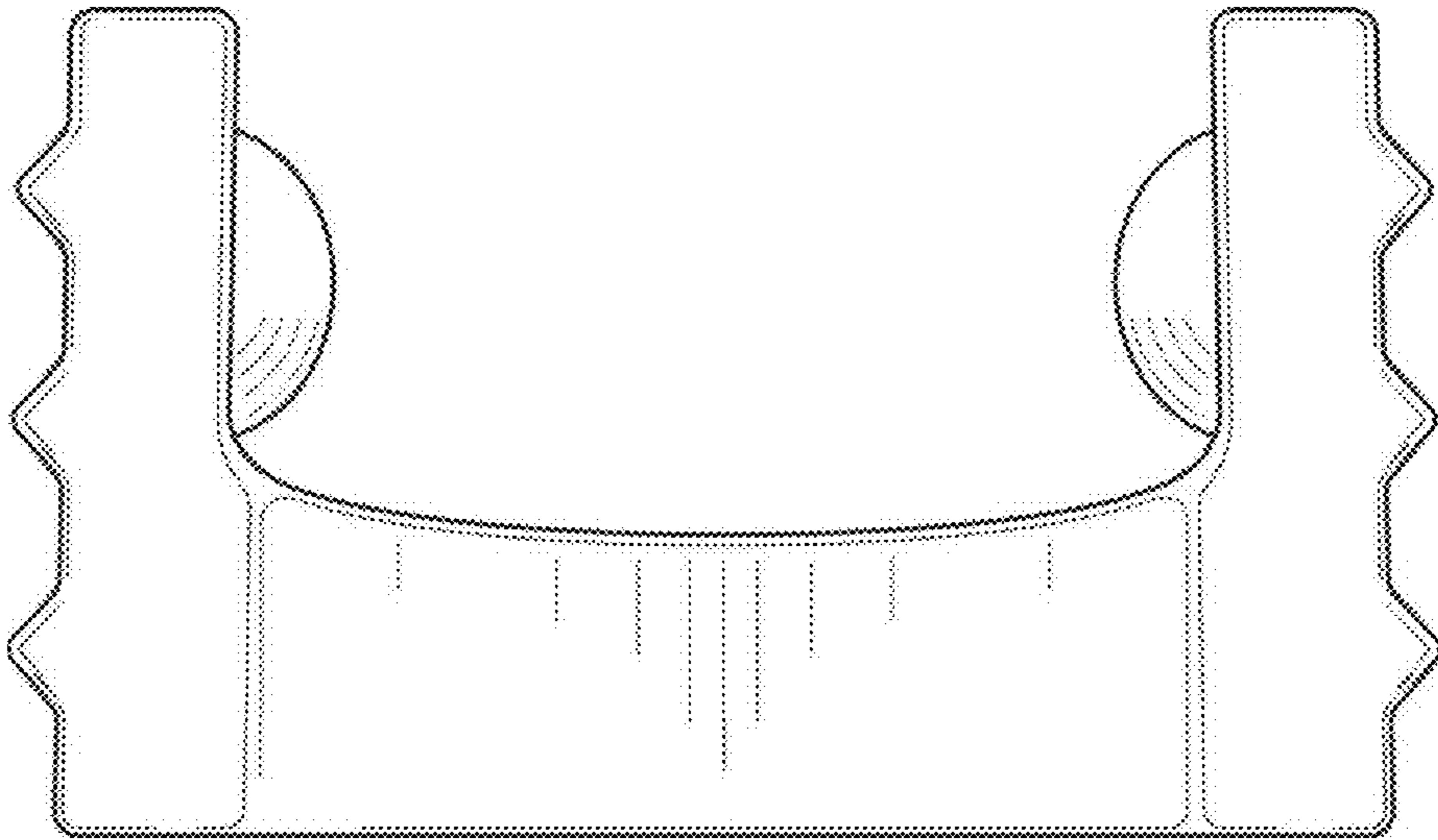


FIG. 5

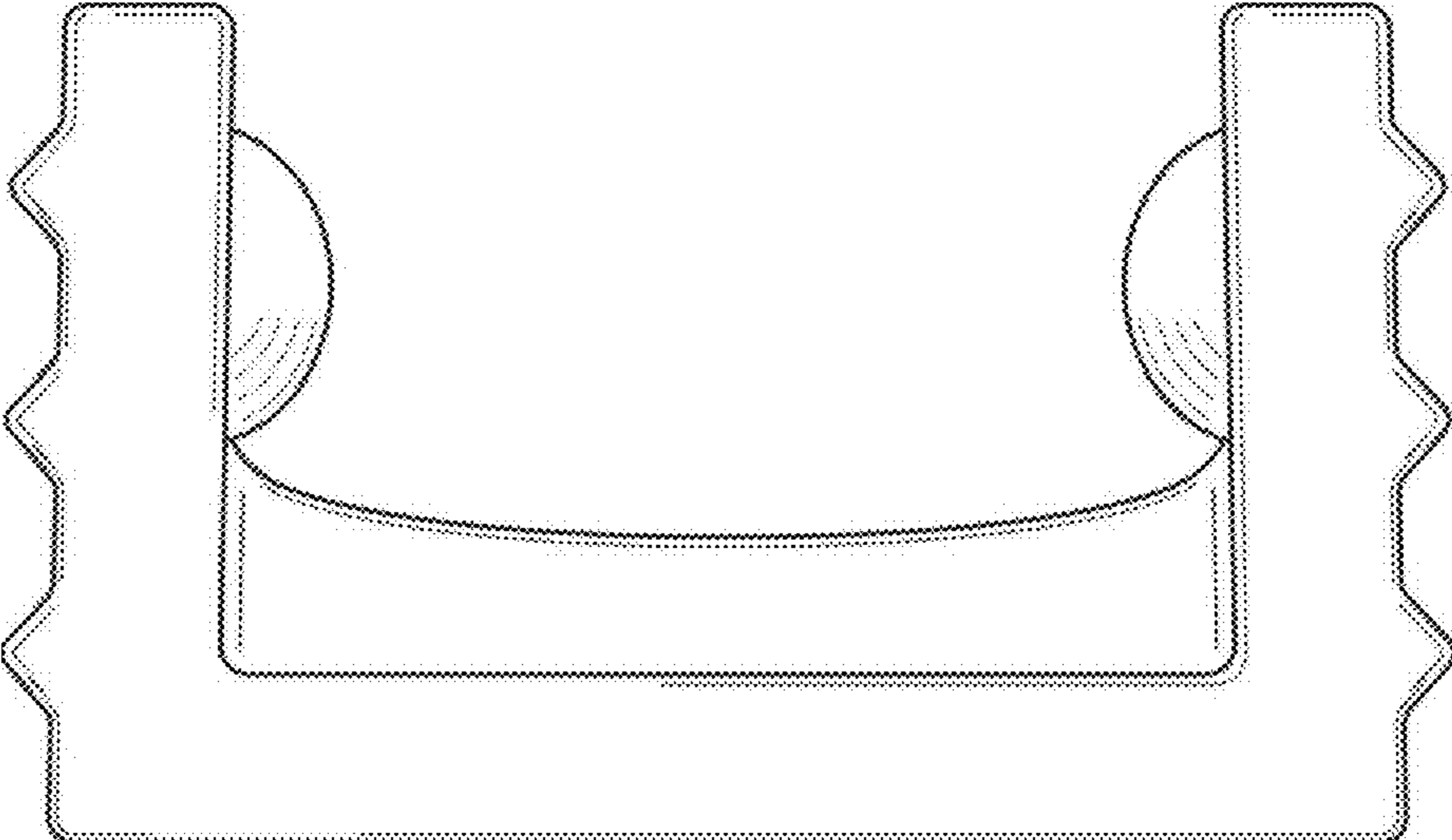


FIG. 6

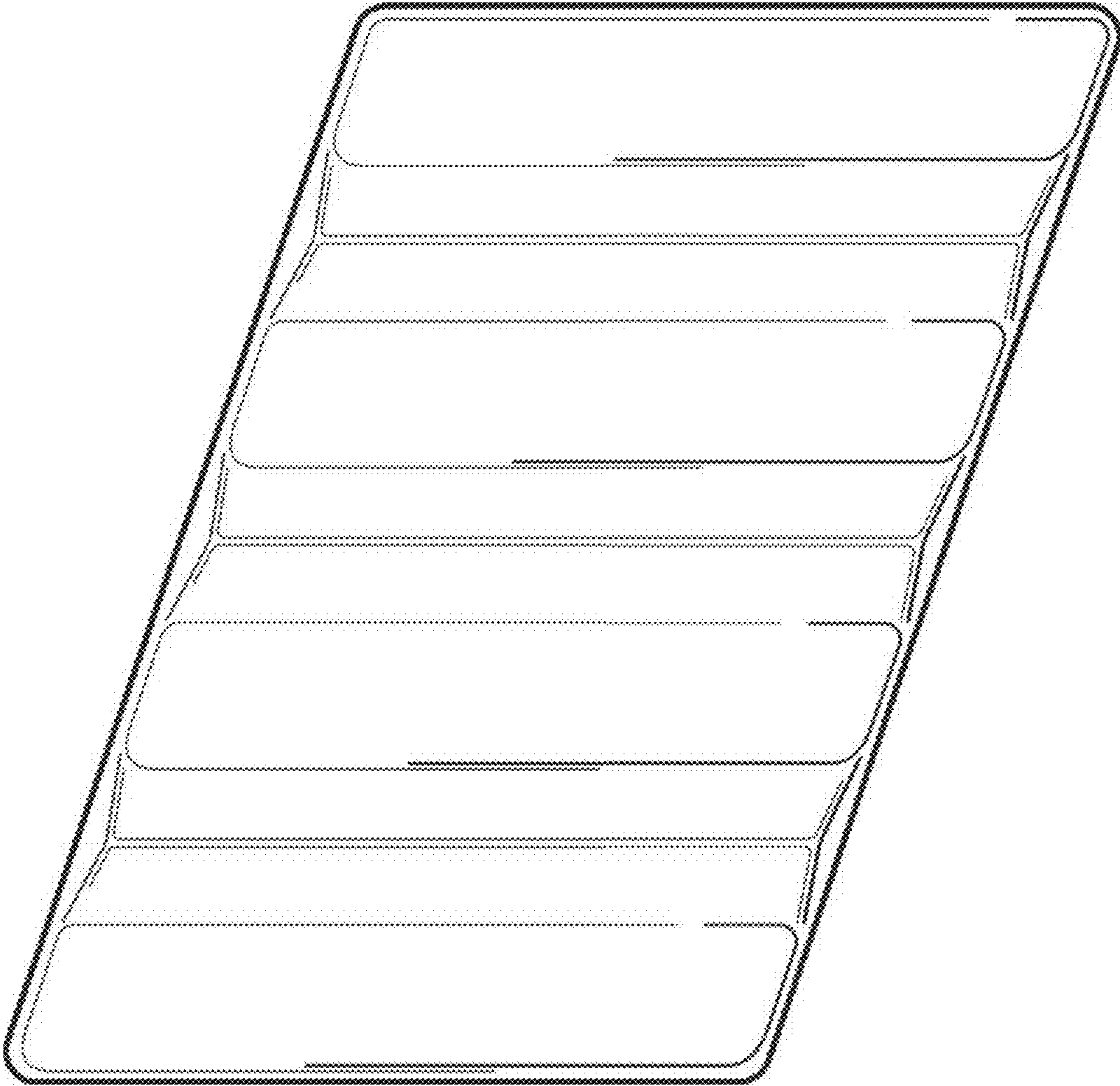


FIG. 7

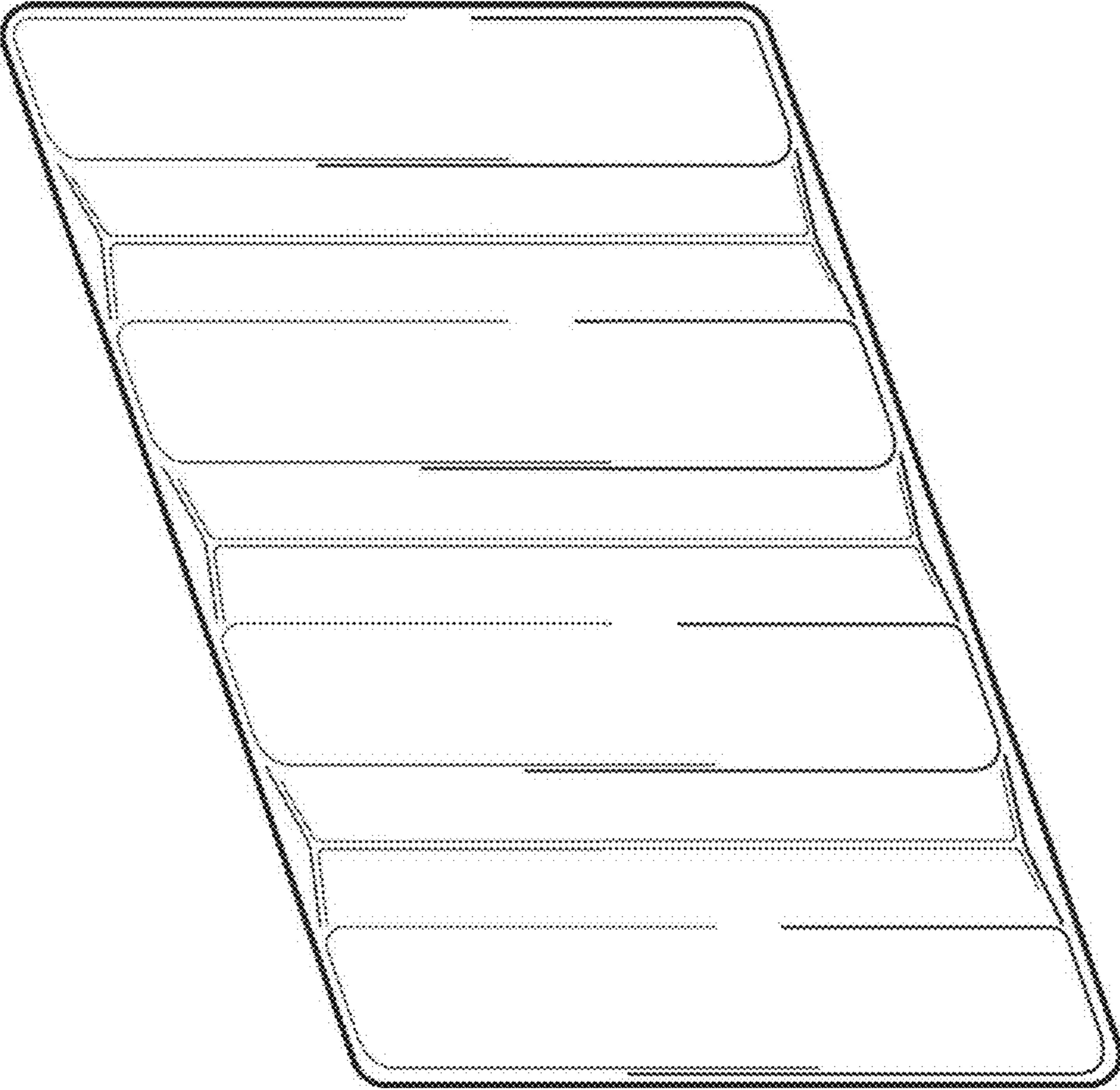


FIG. 8

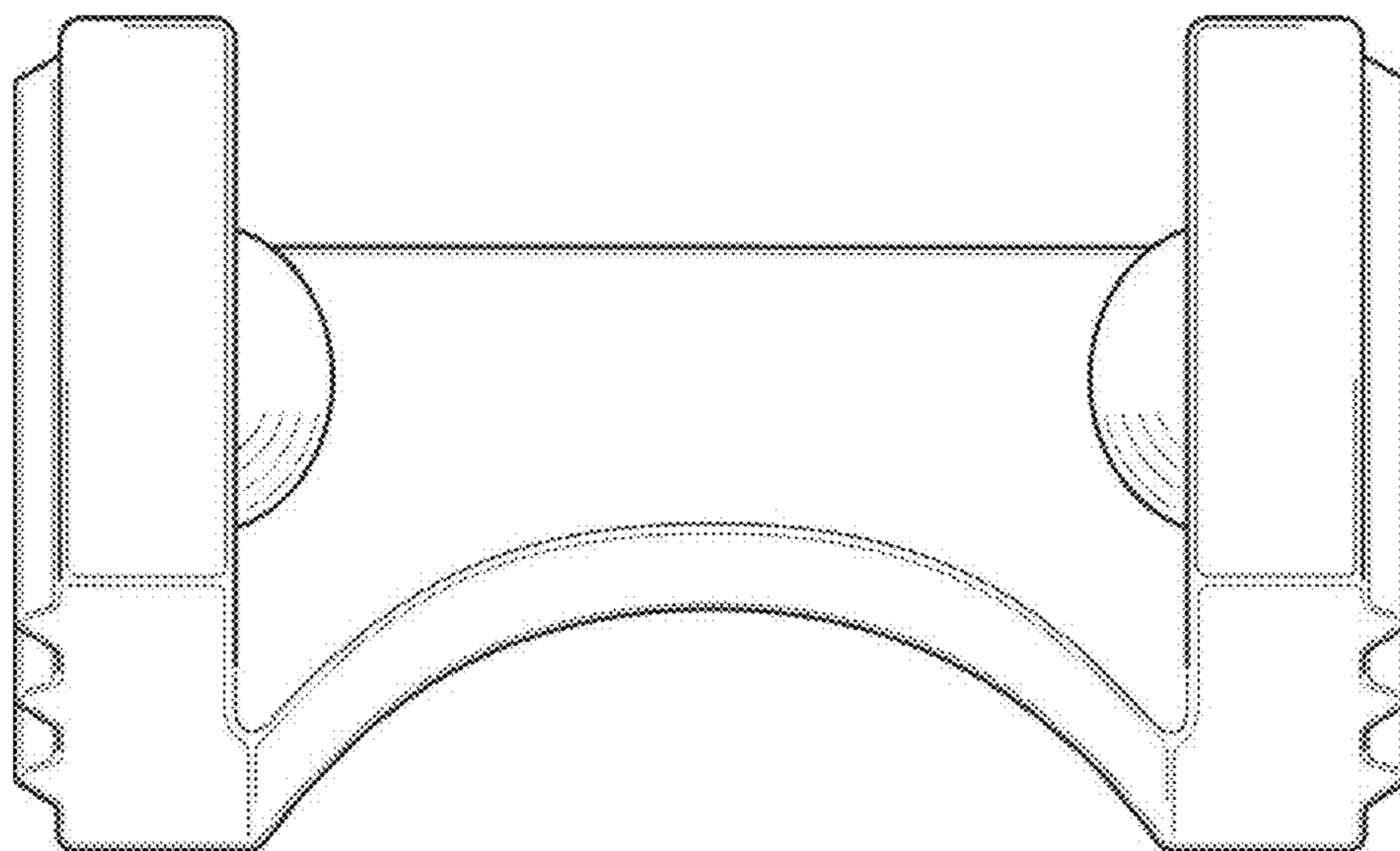


FIG. 9

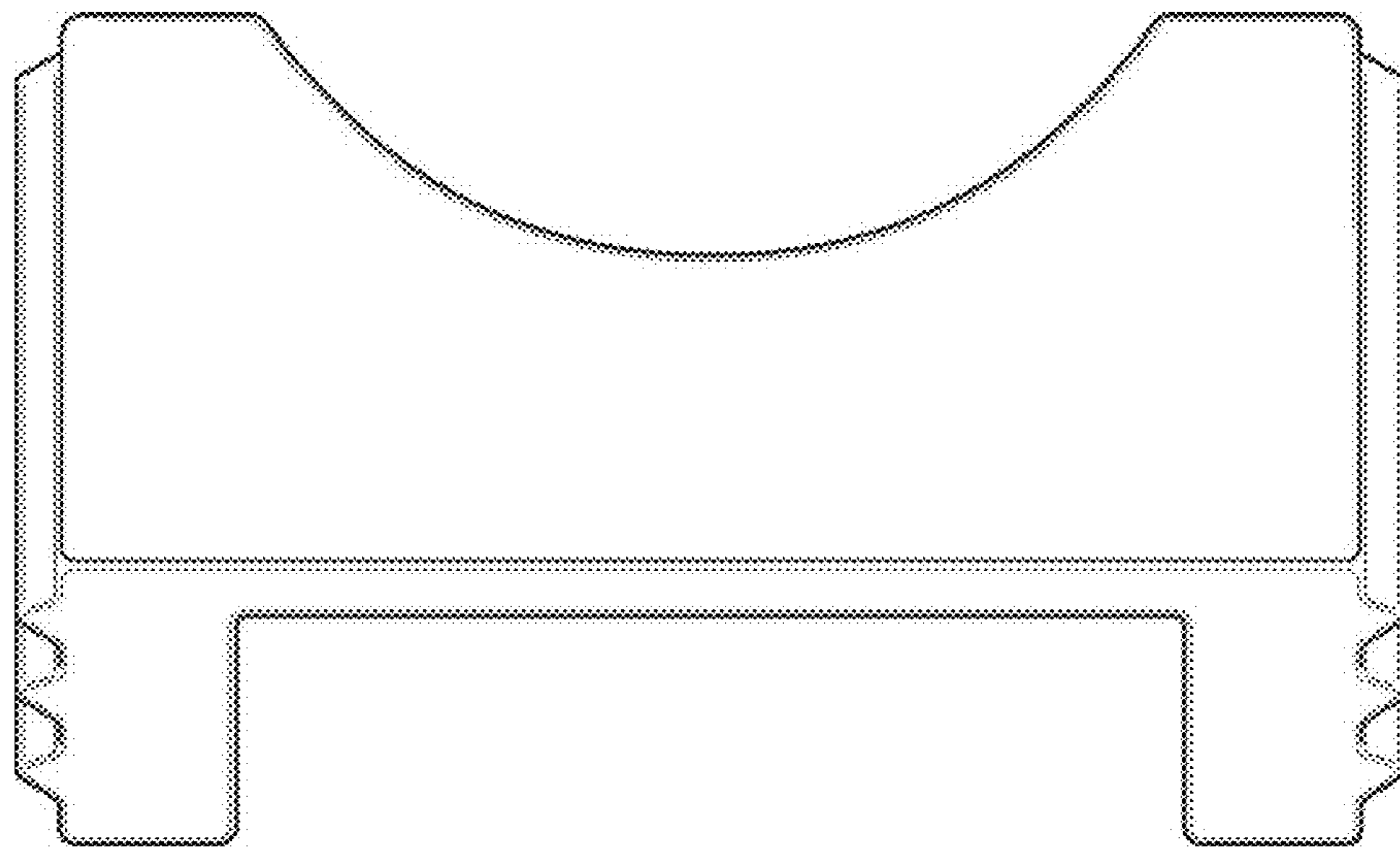


FIG. 10