



US00D721784S

(12) **United States Design Patent**  
**Gerhards**

(10) **Patent No.:** **US D721,784 S**  
(45) **Date of Patent:** **\*\* Jan. 27, 2015**

(54) **FLUSHING SYSTEM FOR WATER CLOSETS**

(56) **References Cited**

(71) Applicant: **Henkel AG & Co. KGaA**, Duesseldorf (DE)

(72) Inventor: **Katja Gerhards**, Duesseldorf (DE)

(73) Assignee: **Henkel AG & Co. KGaA**, Duesseldorf (DE)

(\*\*) Term: **14 Years**

(21) Appl. No.: **29/468,214**

(22) Filed: **Sep. 27, 2013**

(30) **Foreign Application Priority Data**

Apr. 12, 2013 (EM) ..... 002219287

(51) **LOC (10) Cl.** ..... **23-01**

(52) **U.S. Cl.**  
USPC ..... **D23/208**

(58) **Field of Classification Search**  
CPC ..... E03D 9/02; E03D 9/032  
USPC ..... D23/207, 208; 4/223, 225.1, 227.1,  
4/231, 232

See application file for complete search history.

U.S. PATENT DOCUMENTS

D308,409 S *	6/1990	Hoyt et al. ....	D23/208
D355,474 S *	2/1995	Kearnes et al. ....	D23/208
6,625,821 B2 *	9/2003	Lhoste .....	4/231
D508,549 S *	8/2005	Keramidas .....	D23/208
8,099,800 B2 *	1/2012	Sawalski et al. ....	4/223
D698,414 S *	1/2014	Bruining et al. ....	D23/208

\* cited by examiner

*Primary Examiner* — Robin V Webster

(74) *Attorney, Agent, or Firm* — P. Scott Smith

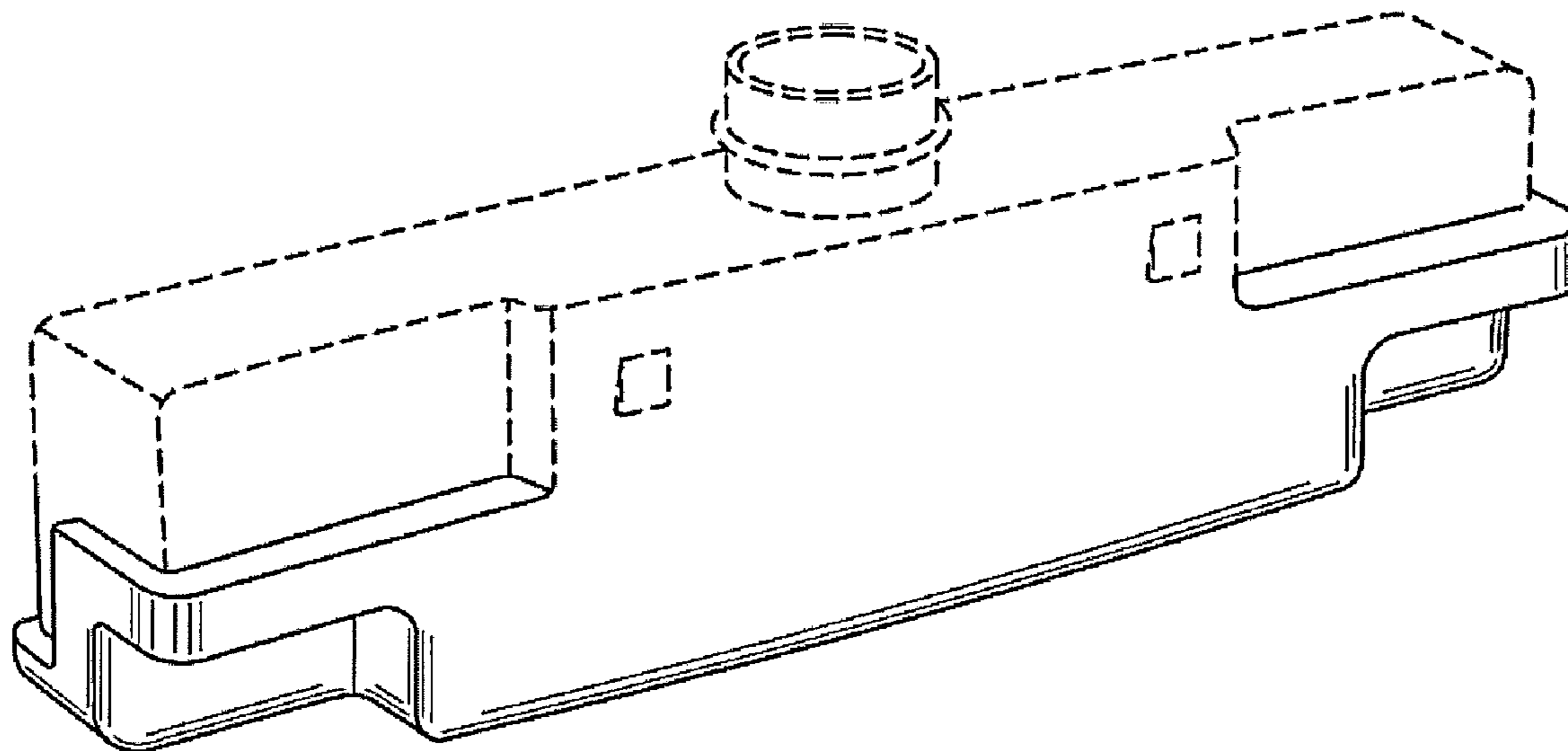
(57) **CLAIM**

The ornamental design for a flushing system for water closets, as shown and described.

**DESCRIPTION**

FIG. 1 is a front perspective view of a flushing system for water closets embodying my new design; FIG. 2 is a front side elevation view thereof; FIG. 3 is a rear side elevation view thereof; FIG. 4 is a right side elevation view thereof; FIG. 5 is a left side elevation view thereof; FIG. 6 is a top plan view thereof; and, FIG. 7 is a bottom plan view thereof. The broken line showing is included for the purpose of illustrating and forms no part of the claimed design.

**1 Claim, 4 Drawing Sheets**



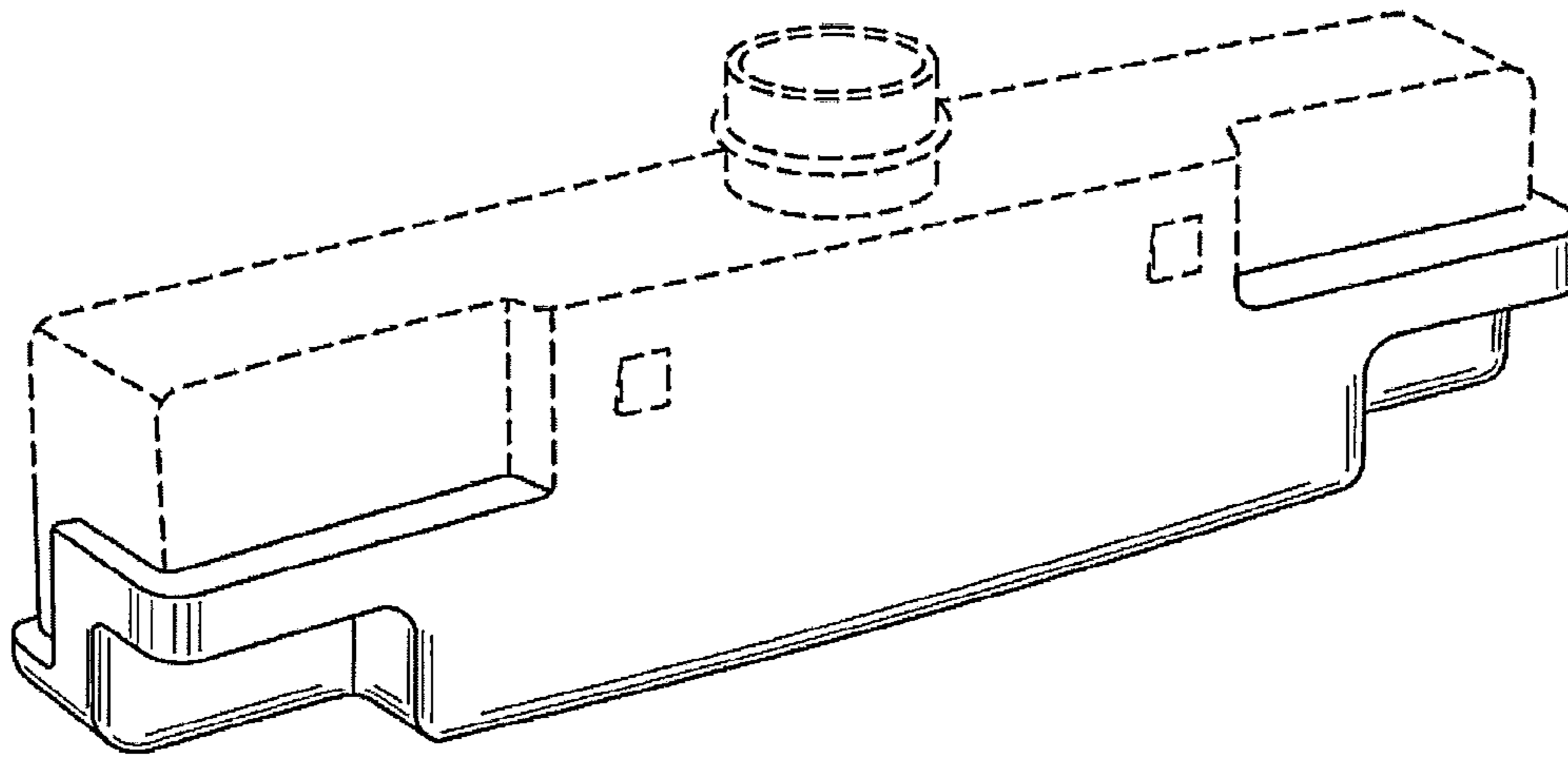


FIG. 1

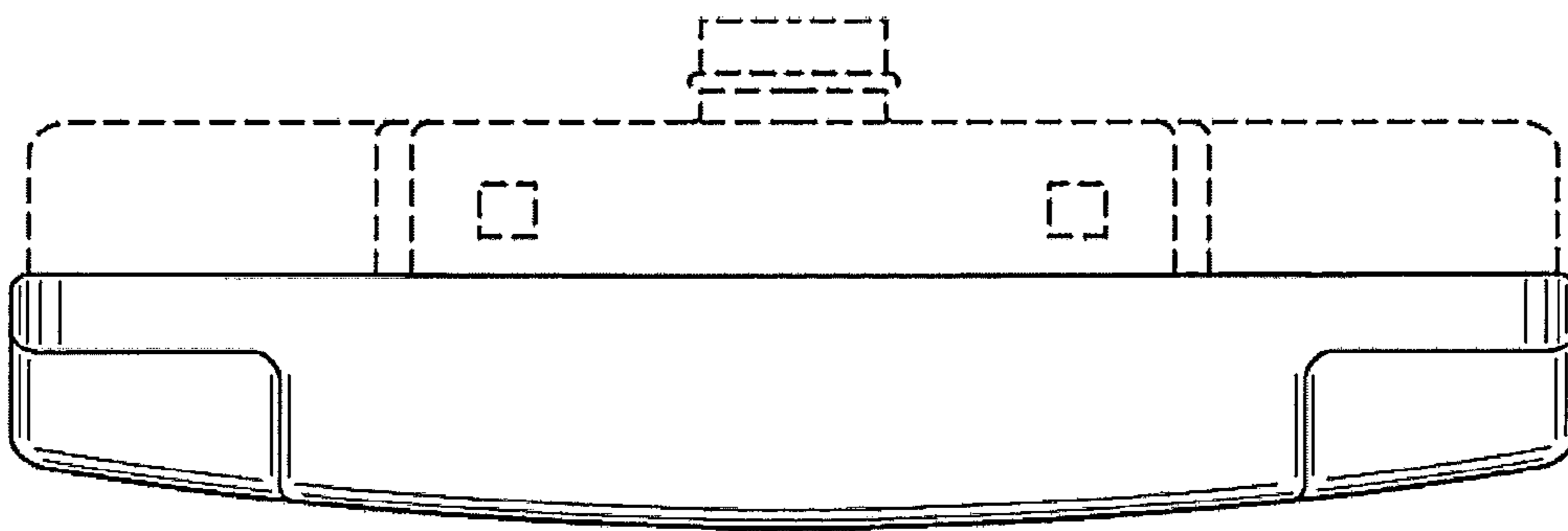


FIG. 2

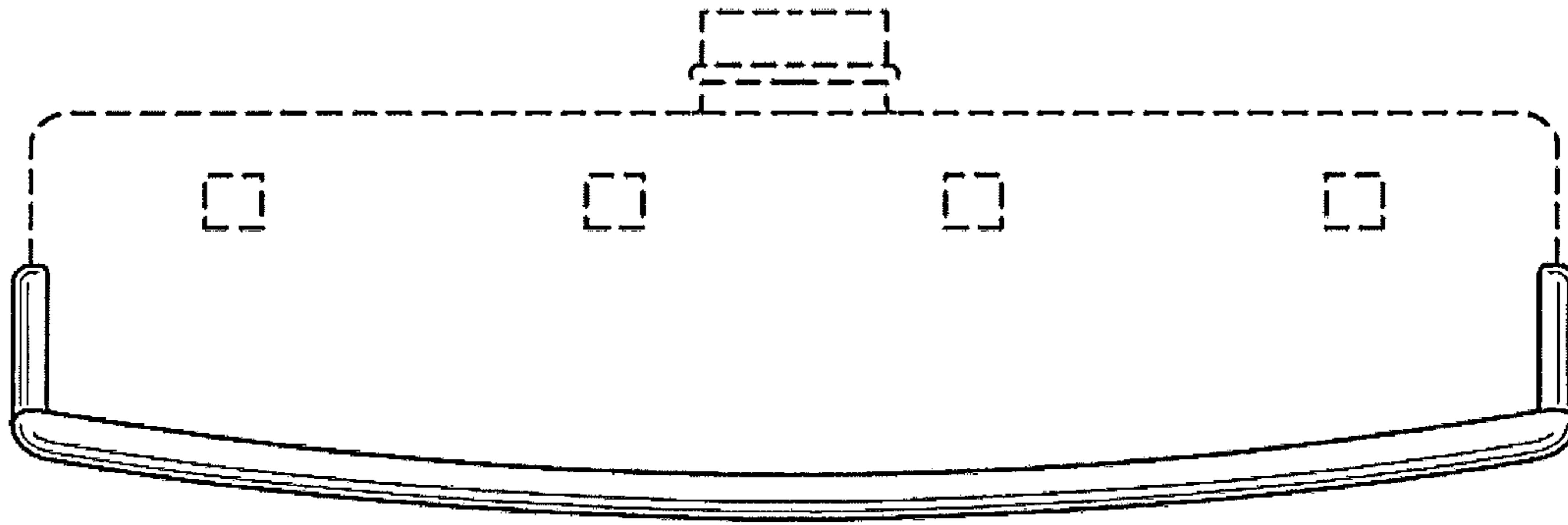


FIG. 3

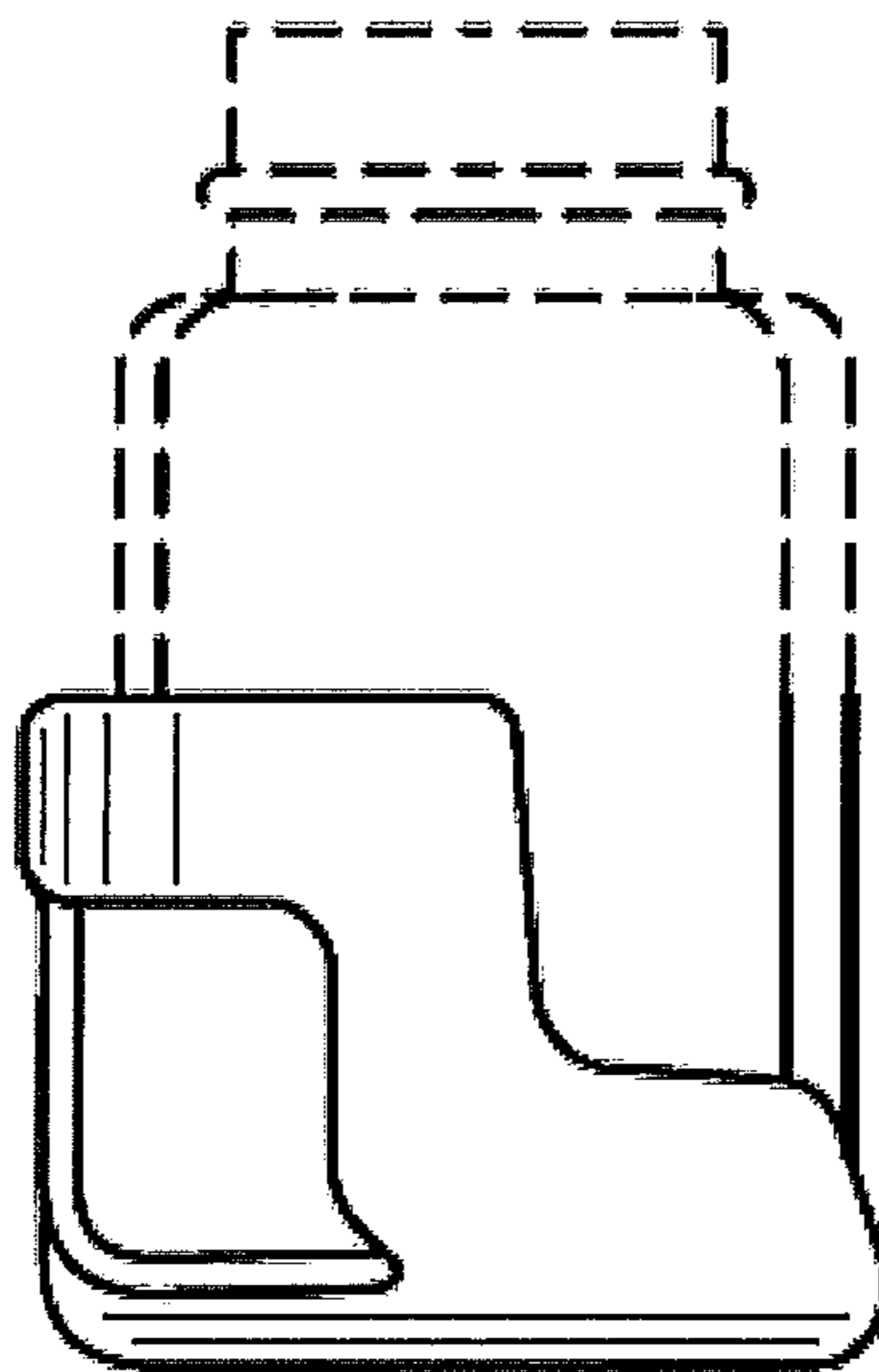


FIG. 4

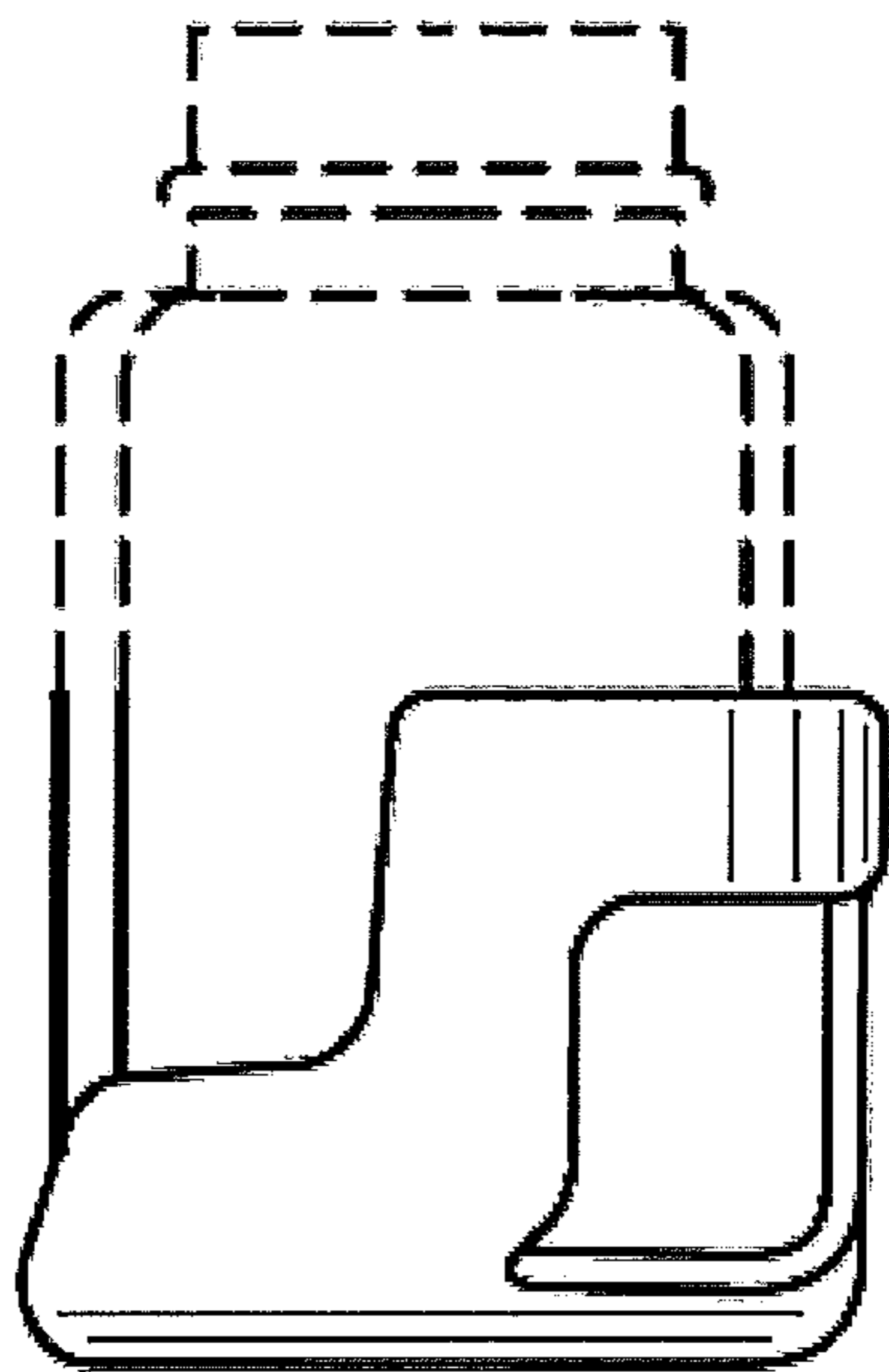


FIG. 5

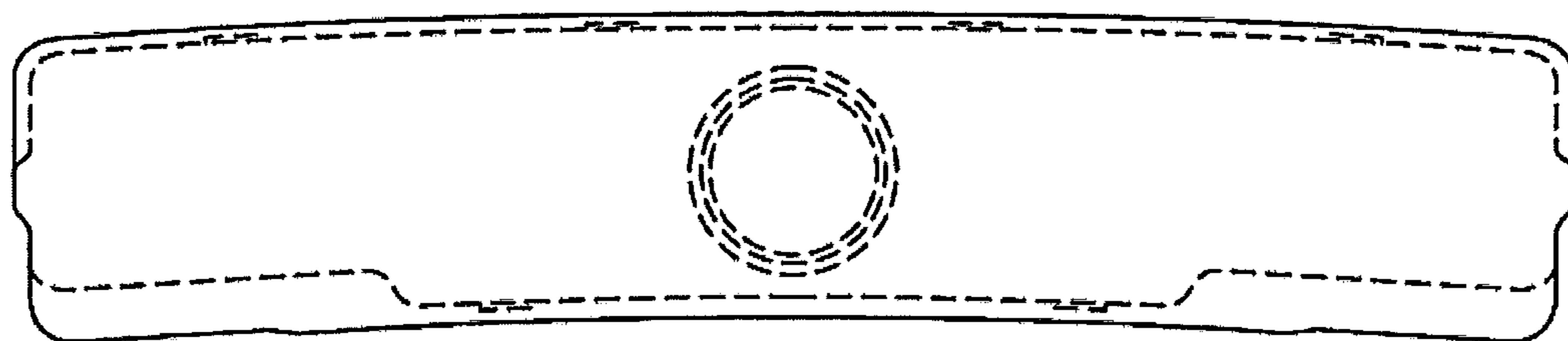


FIG. 6

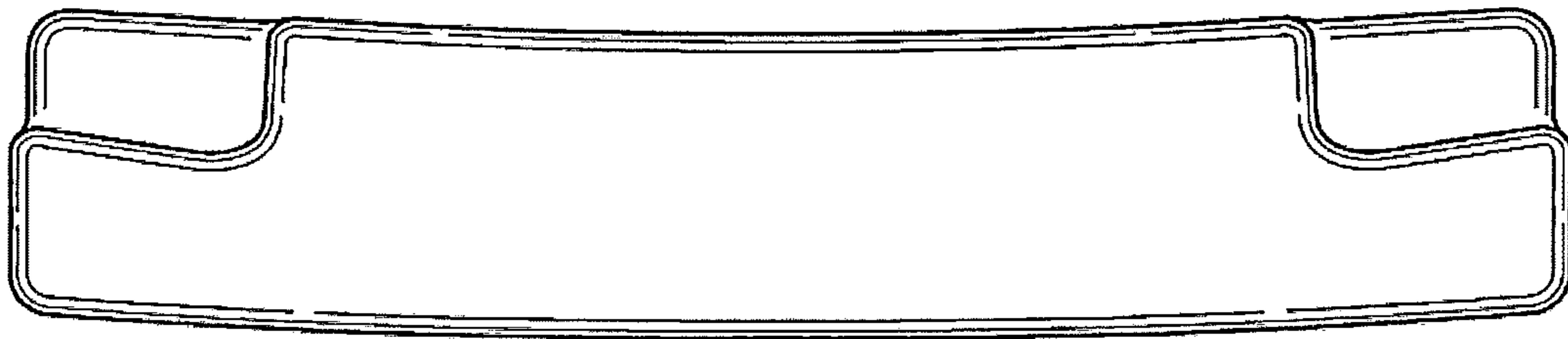


FIG. 7