



US00D721783S

(12) **United States Design Patent**  
**Goldy et al.**

(10) **Patent No.:** **US D721,783 S**  
(45) **Date of Patent:** **\*\* Jan. 27, 2015**

(54) **FISHING TOOL**

(71) Applicants: **Robert Goldy**, New York, NY (US);  
**Edwin Chan**, Brooklyn, NY (US)

(72) Inventors: **Robert Goldy**, New York, NY (US);  
**Edwin Chan**, Brooklyn, NY (US)

(73) Assignee: **Trend Right Research and Development Corporation**, New York, NY (US)

(\*\*) Term: **14 Years**

(21) Appl. No.: **29/480,855**

(22) Filed: **Jan. 30, 2014**

(51) **LOC (10) Cl.** ..... **22-05**

(52) **U.S. Cl.**  
USPC ..... **D22/149**

(58) **Field of Classification Search**  
USPC ..... D22/149, 134, 199; D8/18-19; 43/4,  
43/17.2, 53.5

See application file for complete search history.

(56) **References Cited**

U.S. PATENT DOCUMENTS

D497,405 S *	10/2004	Boone et al. ....	D22/149
D594,529 S *	6/2009	Rustowicz ....	D22/149
7,562,490 B1 *	7/2009	Itamura ....	43/53.5
D617,866 S *	6/2010	Rustowicz ....	D22/149
D680,615 S *	4/2013	Cornelious ....	D22/149

\* cited by examiner

*Primary Examiner* — Catheri Oliver-Garcia

(74) *Attorney, Agent, or Firm* — Dinsmore & Shohl LLP

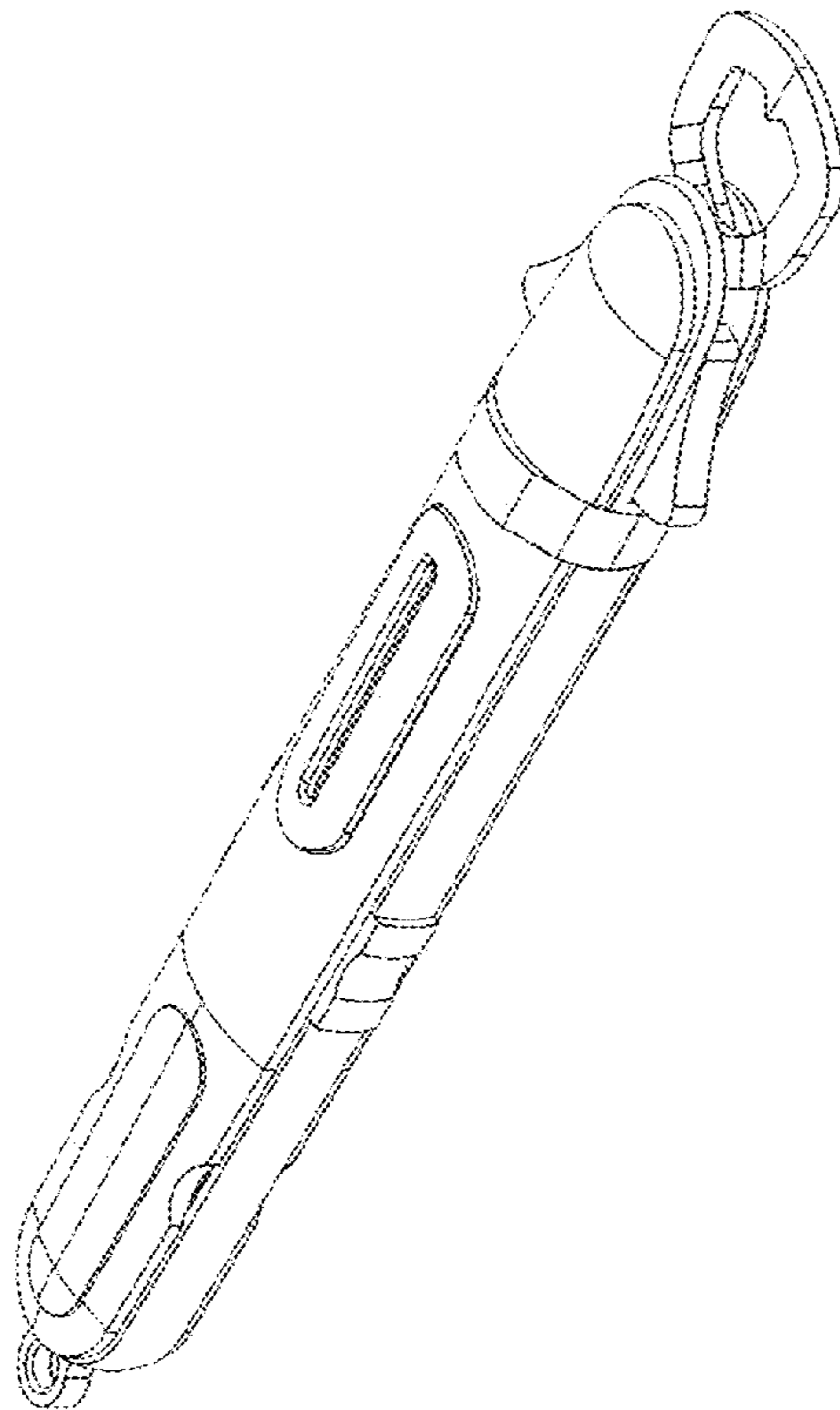
(57) **CLAIM**

The ornamental design for a fishing tool, as shown and described.

**DESCRIPTION**

FIG. 1 is a perspective view of a fishing tool according to an embodiment of the present design;  
FIG. 2 is a front elevation view of the fishing tool of FIG. 1;  
FIG. 3 is a rear elevation view of the fishing tool of FIG. 1;  
FIG. 4 is a right elevation view of the fishing tool of FIG. 1;  
FIG. 5 is a left elevation view of the fishing tool of FIG. 1;  
FIG. 6 is a top view of the fishing tool of FIG. 1; and,  
FIG. 7 is a bottom view of the fishing tool of FIG. 1.

**1 Claim, 7 Drawing Sheets**



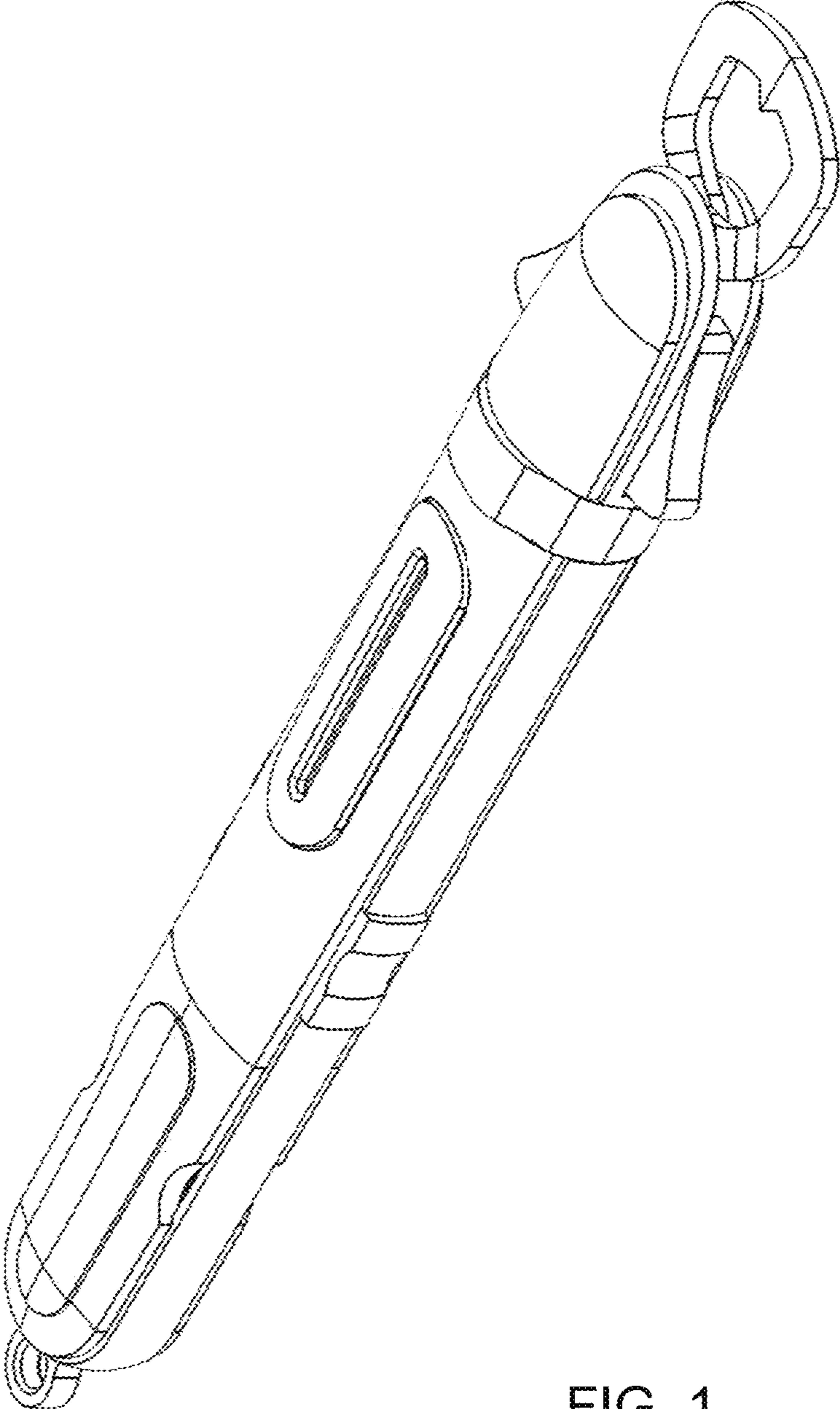


FIG. 1

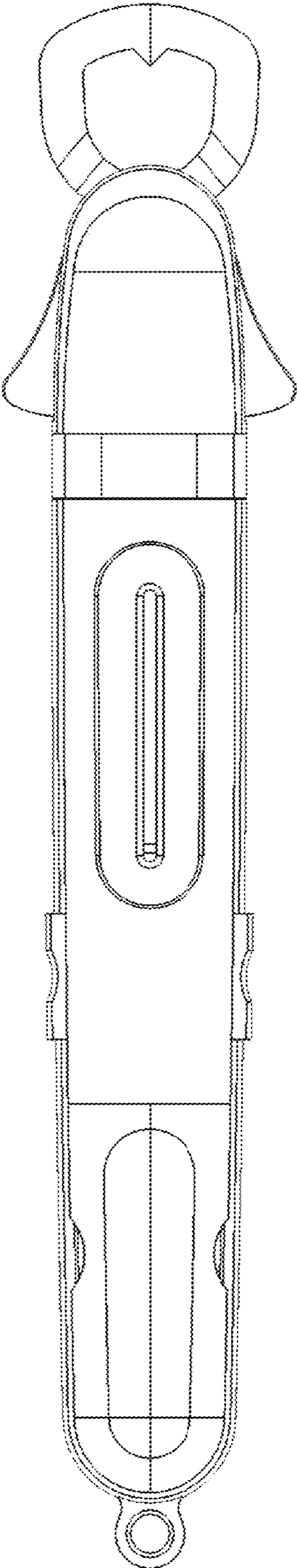


FIG. 2

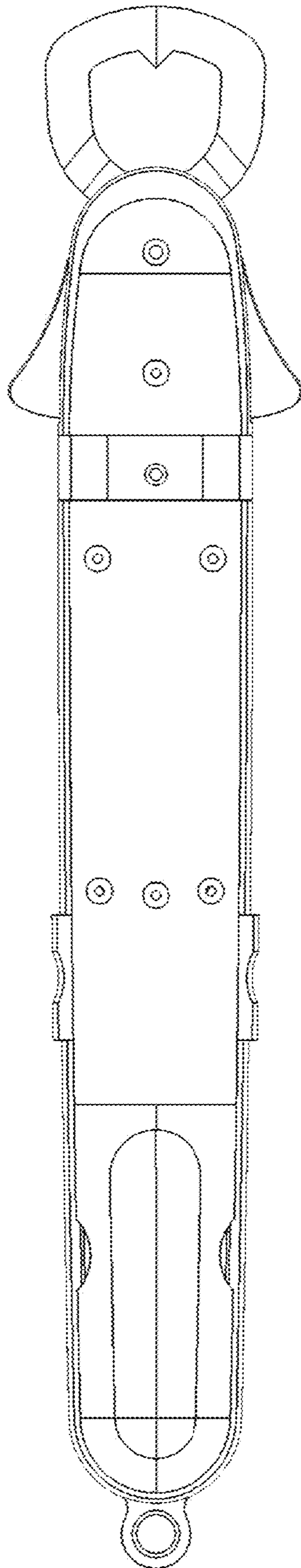


FIG. 3

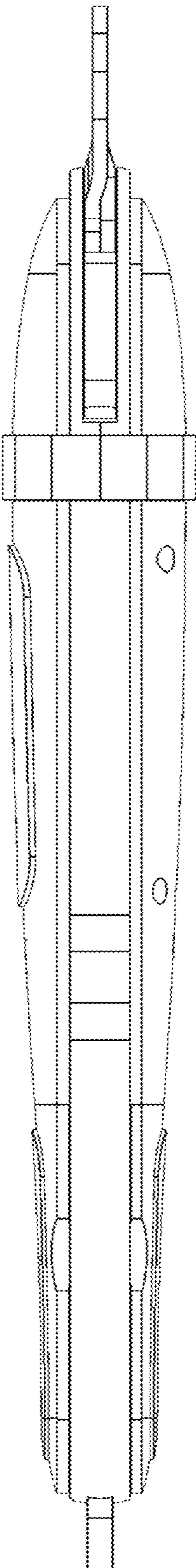


FIG. 4



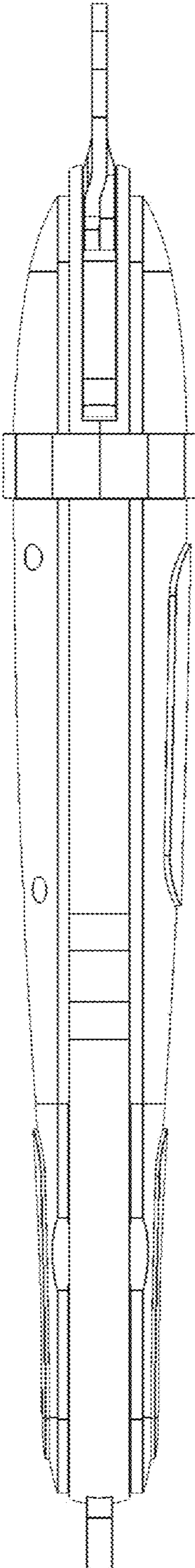


FIG. 5

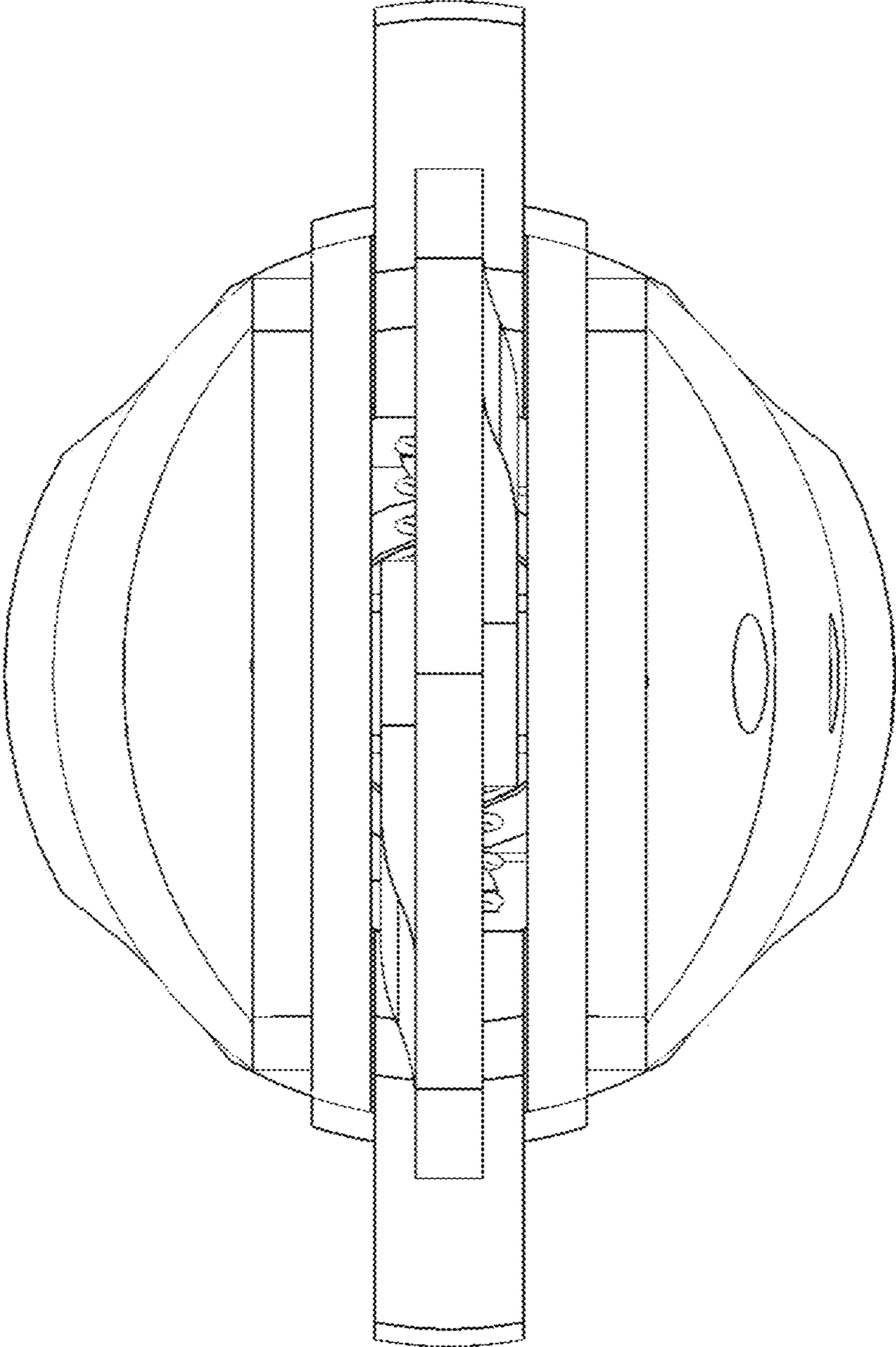


FIG. 6

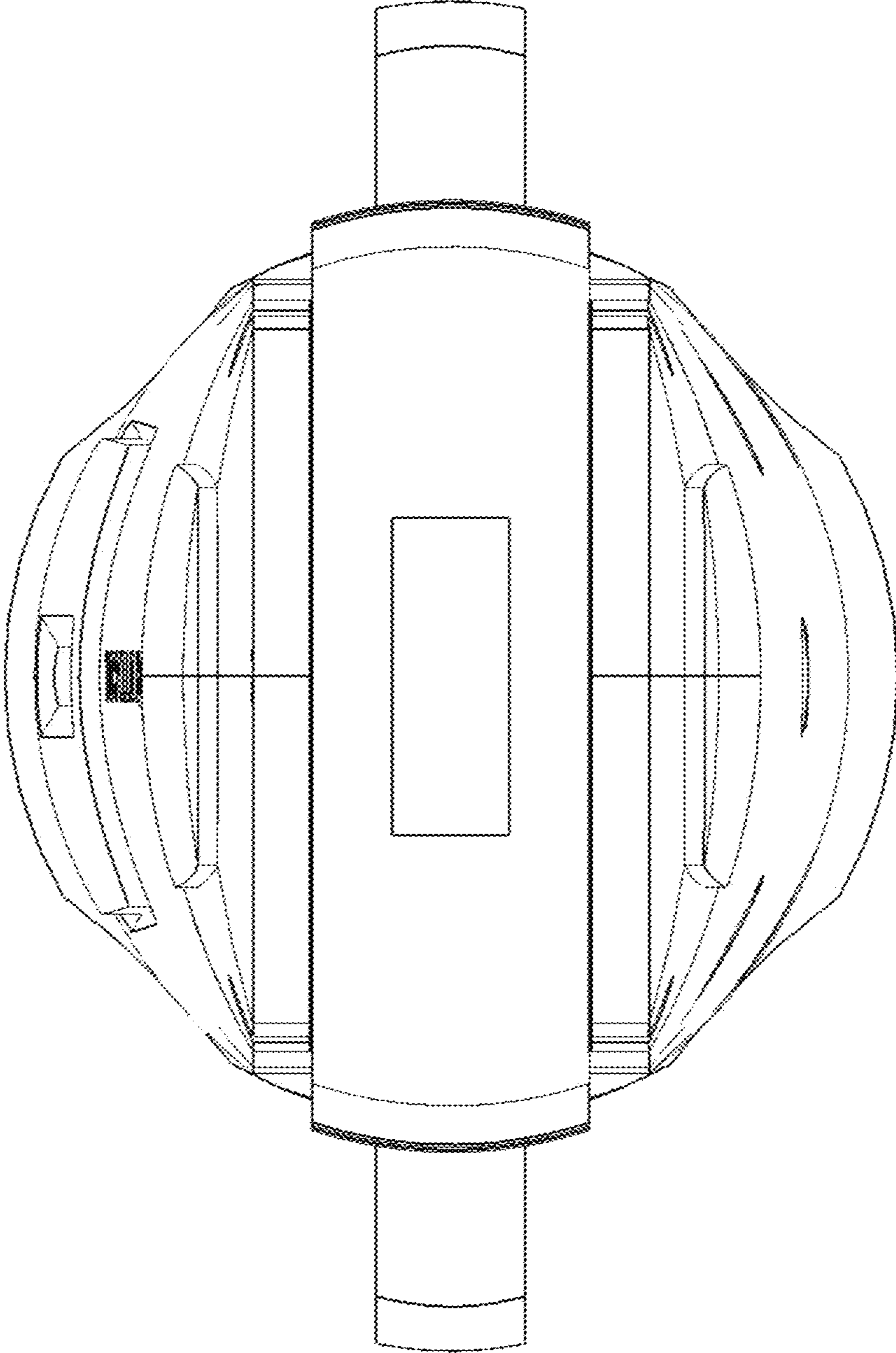


FIG. 7