



US00D721779S

(12) **United States Design Patent**
Emde et al.

(10) **Patent No.:** **US D721,779 S**
(45) **Date of Patent:** **** Jan. 27, 2015**

(54) **CARBINE FIREARM**

DESCRIPTION

(71) Applicants: **Dietmar Emde**, Arnsberg (DE);
Michael Swoboda, Möhnesees (DE)

(72) Inventors: **Dietmar Emde**, Arnsberg (DE);
Michael Swoboda, Möhnesees (DE)

(73) Assignee: **German Sport Guns GmbH**,
Ense-Höingen (DE)

(**) Term: **14 Years**

(21) Appl. No.: **29/465,021**

(22) Filed: **Aug. 23, 2013**

(30) **Foreign Application Priority Data**

Mar. 18, 2013 (DE) 40 2013 001 283

(51) **LOC (10) Cl.** **22-01**

(52) **U.S. Cl.**
USPC **D22/103**

(58) **Field of Classification Search**

CPC F41C 7/00; F41C 7/11; F41C 7/12
USPC D22/100, 101, 103, 104, 108, 199;
D21/572-575; 42/51, 71.01, 75.01,
42/75.02, 90, 94, 134, 136, 139, 125, 72,
42/111; 89/40.06, 41.19, 37.04, 33.04,
89/191.01, 200-204; 124/67, 66, 72, 74

See application file for complete search history.

(56) **References Cited**

U.S. PATENT DOCUMENTS

7,797,873 B2 * 9/2010 Gering et al. 42/105
D637,678 S * 5/2011 Larson et al. D22/103

(Continued)

Primary Examiner — Michael A Pratt

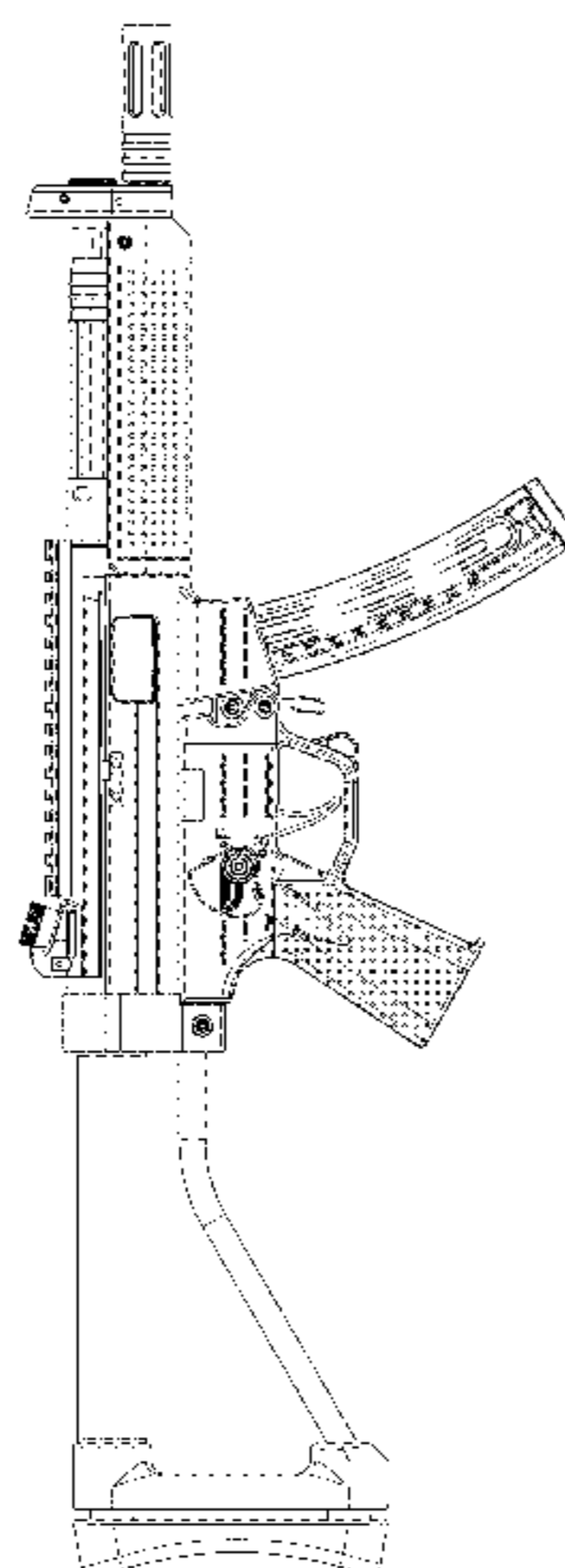
(74) *Attorney, Agent, or Firm* — Michael Soderman

(57) **CLAIM**

The ornamental design for a carbine firearm, as shown.

FIG. 1 is a side view (right-hand side) of the carbine firearm with the short barrel showing the new design;
FIG. 2 is a side view (left-hand side) thereof showing the new design;
FIG. 3 is a view thereof in perspective at an angle from the bottom and left-hand side;
FIG. 4 is a rear view thereof;
FIG. 5 is a top view thereof;
FIG. 6 is a bottom view thereof;
FIG. 7 is a front view thereof;
FIG. 8 is a detailed view of the buttstock thereof;
FIG. 9 is a detailed view of the magazine thereof;
FIG. 10 is a detailed view of the barrel thereof;
FIG. 11 is a detailed view of the forestock thereof;
FIG. 12 is a detailed view of the buttstock thereof in perspective;
FIG. 13 is a detailed view of the magazine thereof in perspective;
FIG. 14 is a detailed view of the barrel thereof in perspective;
FIG. 15 is a detailed view of the forestock thereof in perspective;
FIG. 16 is a side view (right-hand side) of the carbine firearm with the long barrel showing the new design;
FIG. 17 is a side view (left-hand side) thereof showing the new design;
FIG. 18 is a view thereof in perspective at an angle from the bottom and left-hand side;
FIG. 19 is a rear view thereof;
FIG. 20 is a top view thereof;
FIG. 21 is a bottom view thereof;
FIG. 22 is a front view thereof;
FIG. 23 is a detailed view of the buttstock thereof;
FIG. 24 is a detailed view of the magazine thereof;
FIG. 25 is a detailed view of the barrel thereof;
FIG. 26 is a detailed view of the forestock thereof;
FIG. 27 is a detailed view of the buttstock thereof in perspective;
FIG. 28 is a detailed view of the magazine thereof in perspective;
FIG. 29 is a detailed view of the barrel thereof in perspective; and,
FIG. 30 is a detailed view of the forestock thereof in perspective.

1 Claim, 30 Drawing Sheets



(56)

References Cited

U.S. PATENT DOCUMENTS

D641,824 S * 7/2011 Gridelet D22/103
D641,825 S * 7/2011 Gridelet D22/103
D653,300 S * 1/2012 Emde D22/103
D676,921 S * 2/2013 Fitzpatrick et al. D22/108

D680,611 S * 4/2013 Emde et al. D22/103
D688,768 S * 8/2013 Fitzpatrick et al. D22/108
D689,160 S * 9/2013 Emde D22/108
2009/0031605 A1* 2/2009 Robinson 42/2
2010/0186582 A1* 7/2010 Juarez 89/191.01

* cited by examiner

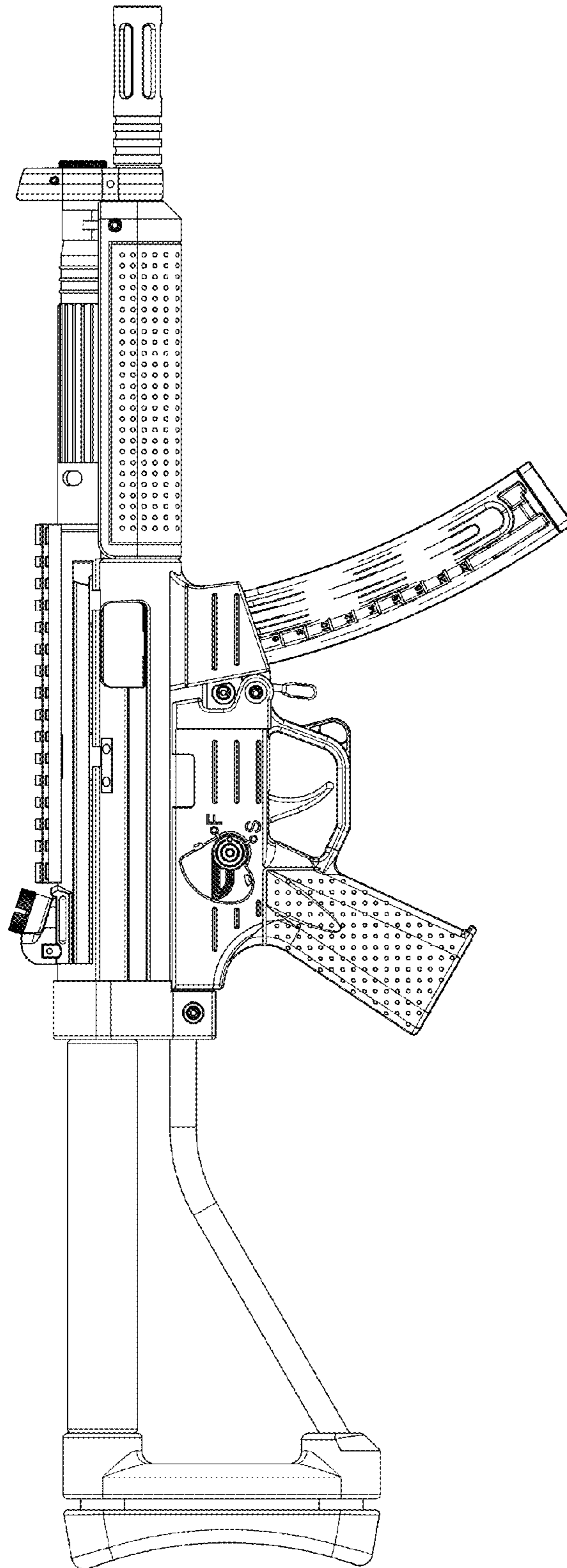


Fig. 1

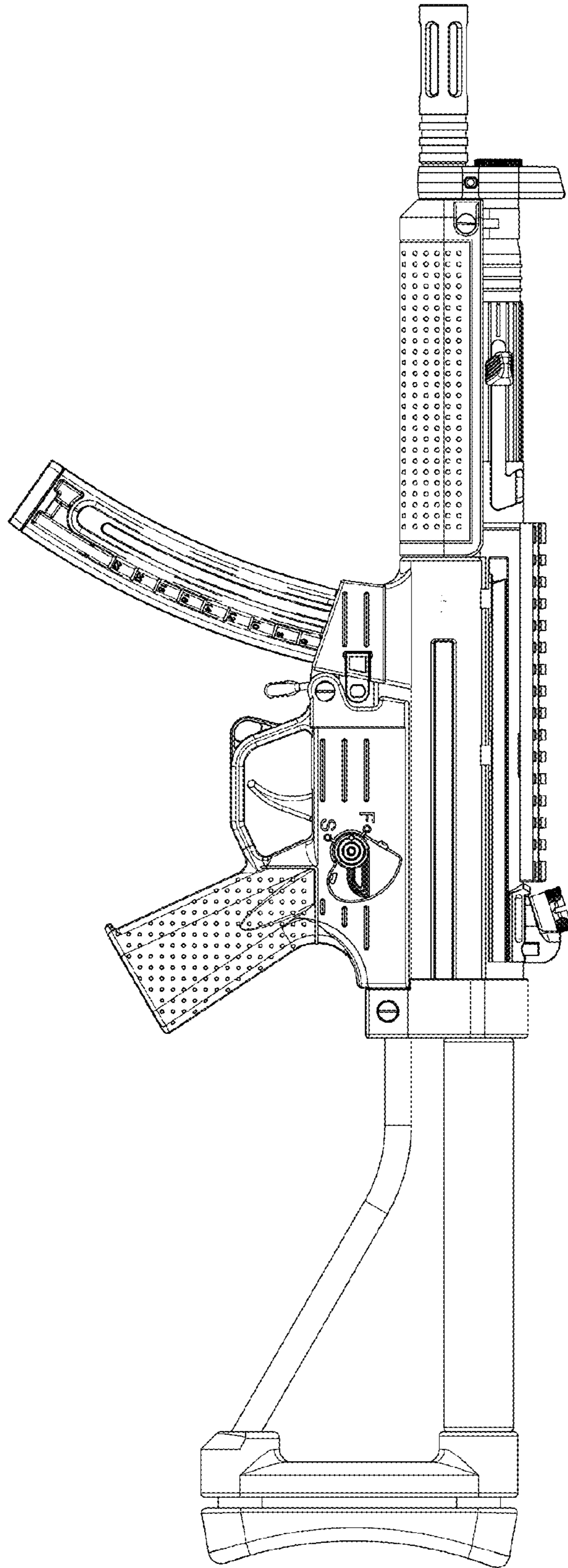


Fig. 2

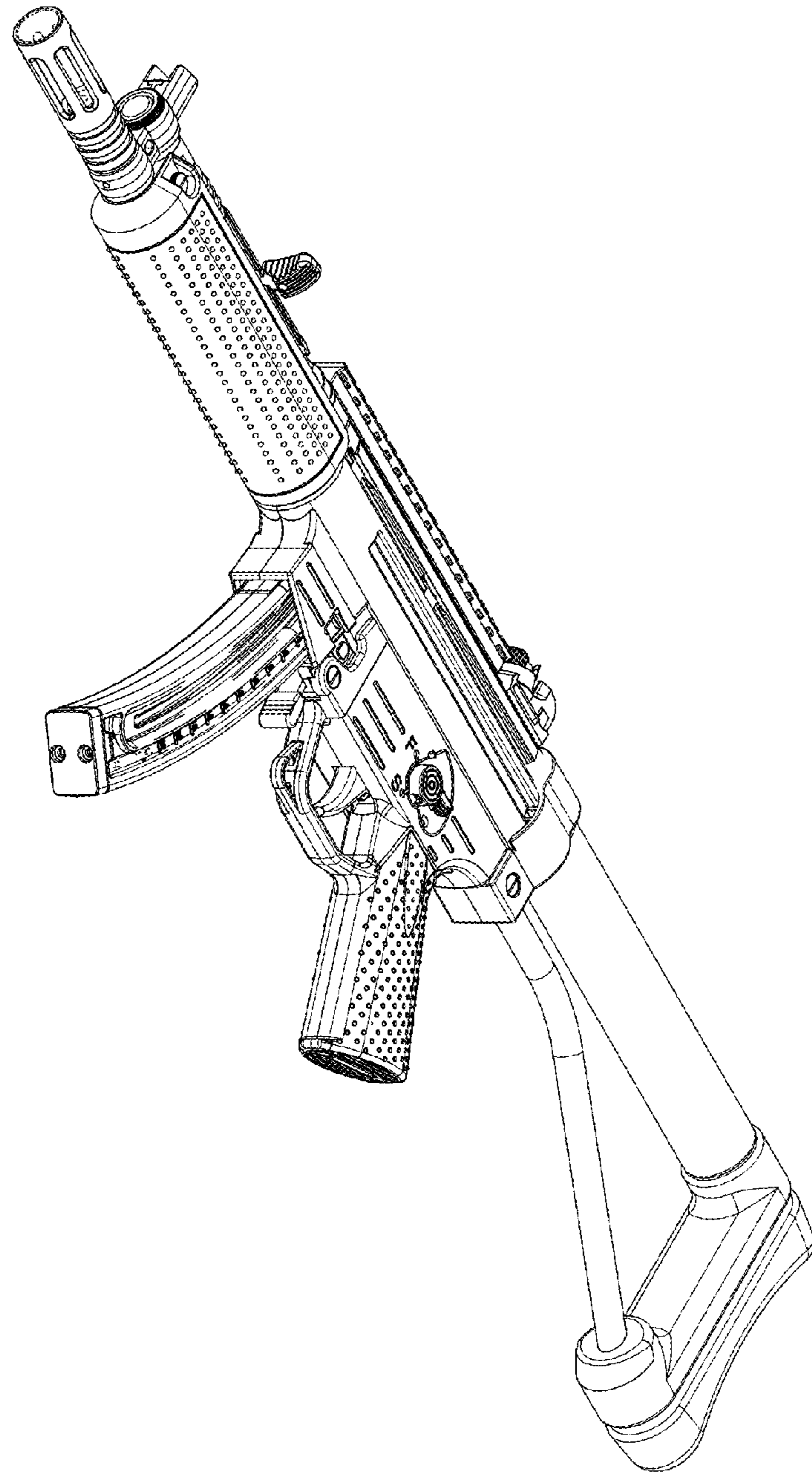


Fig. 3

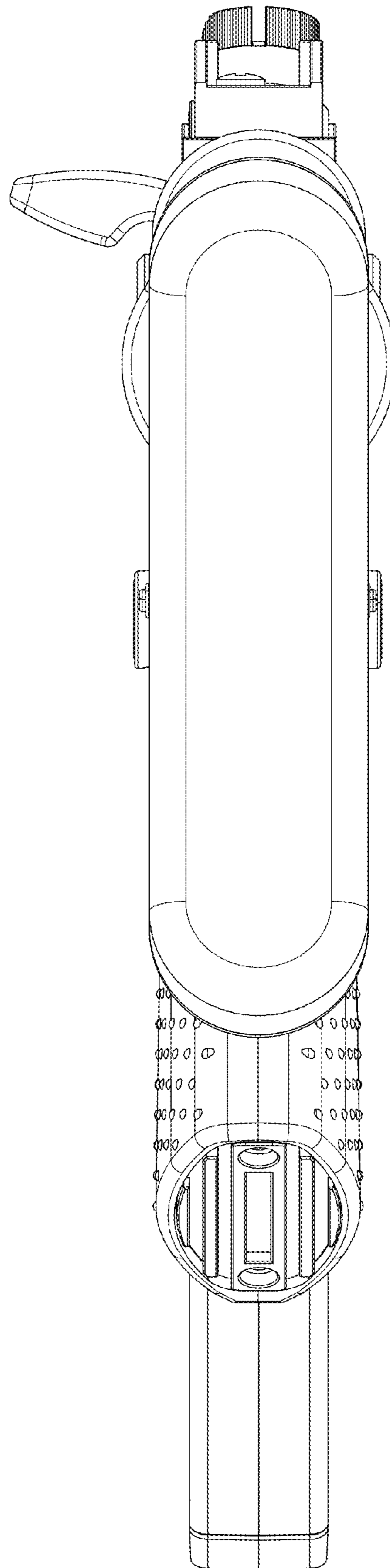


Fig. 4

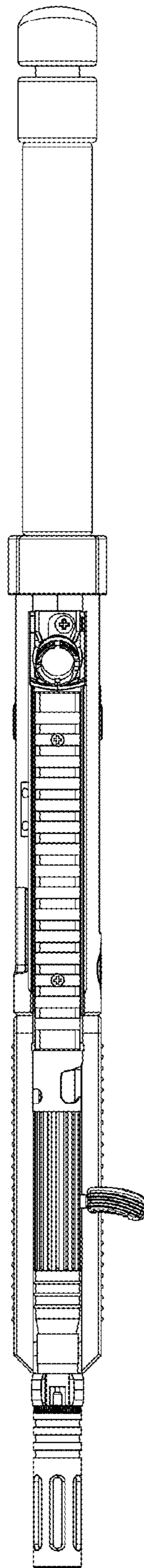


Fig. 5

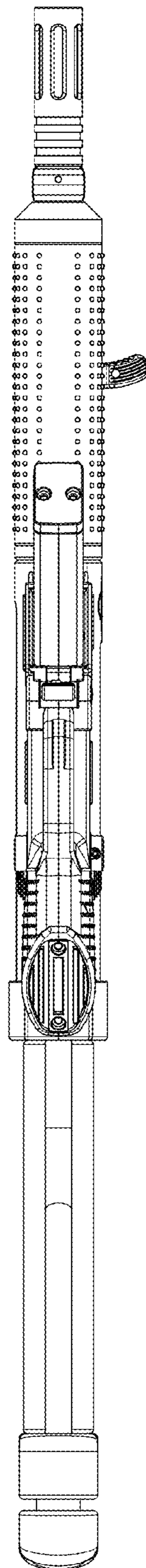


Fig. 6

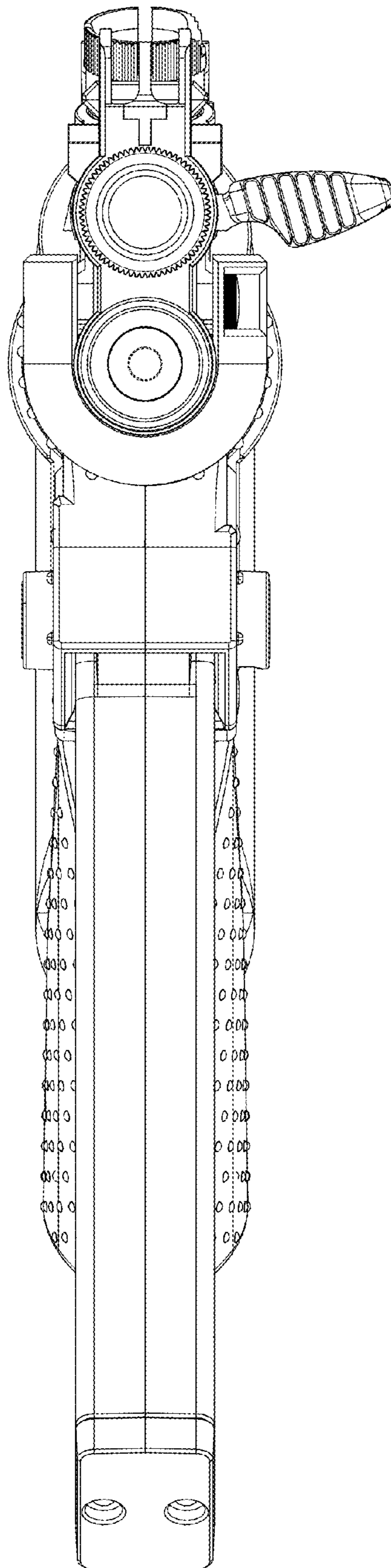


Fig. 7

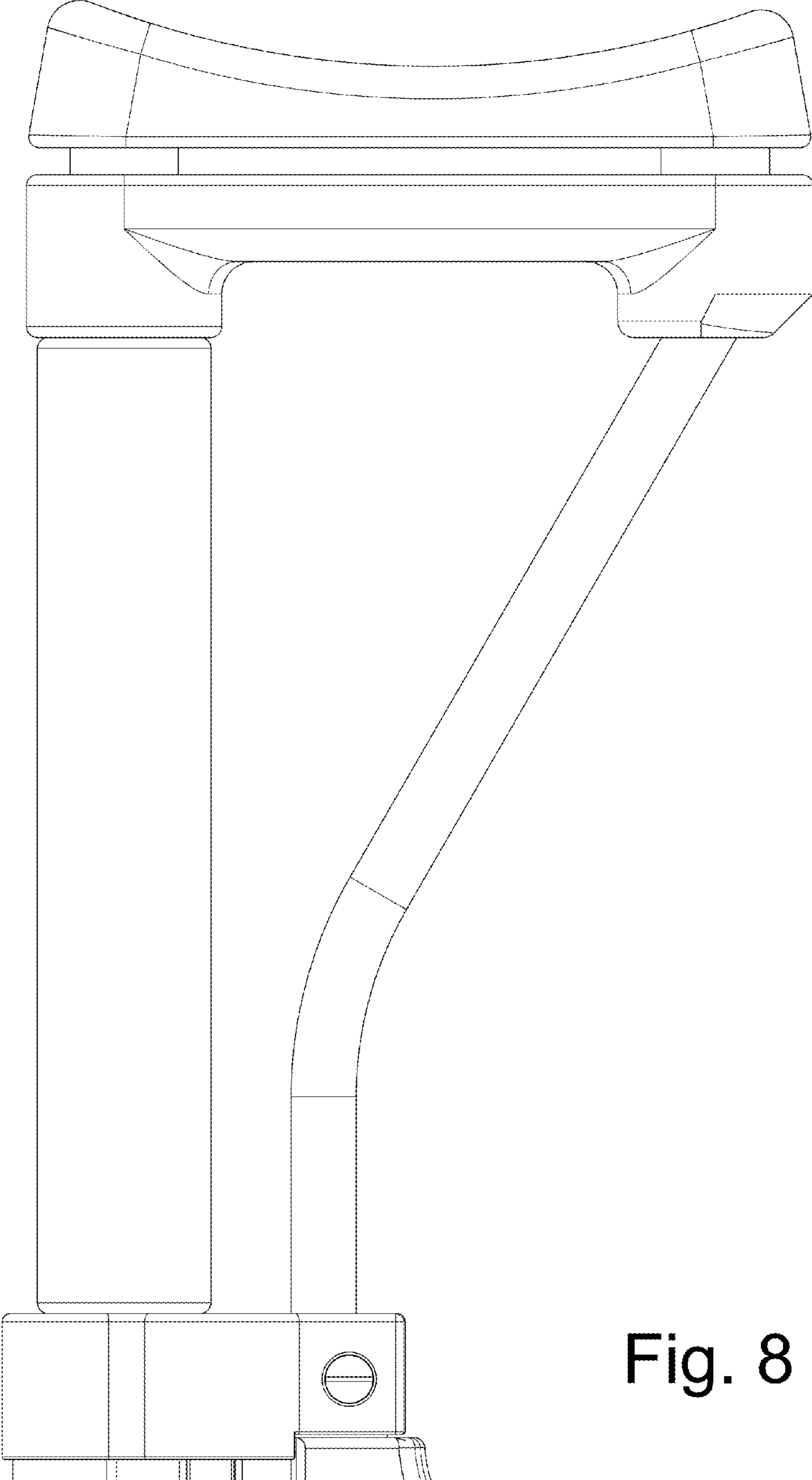


Fig. 8

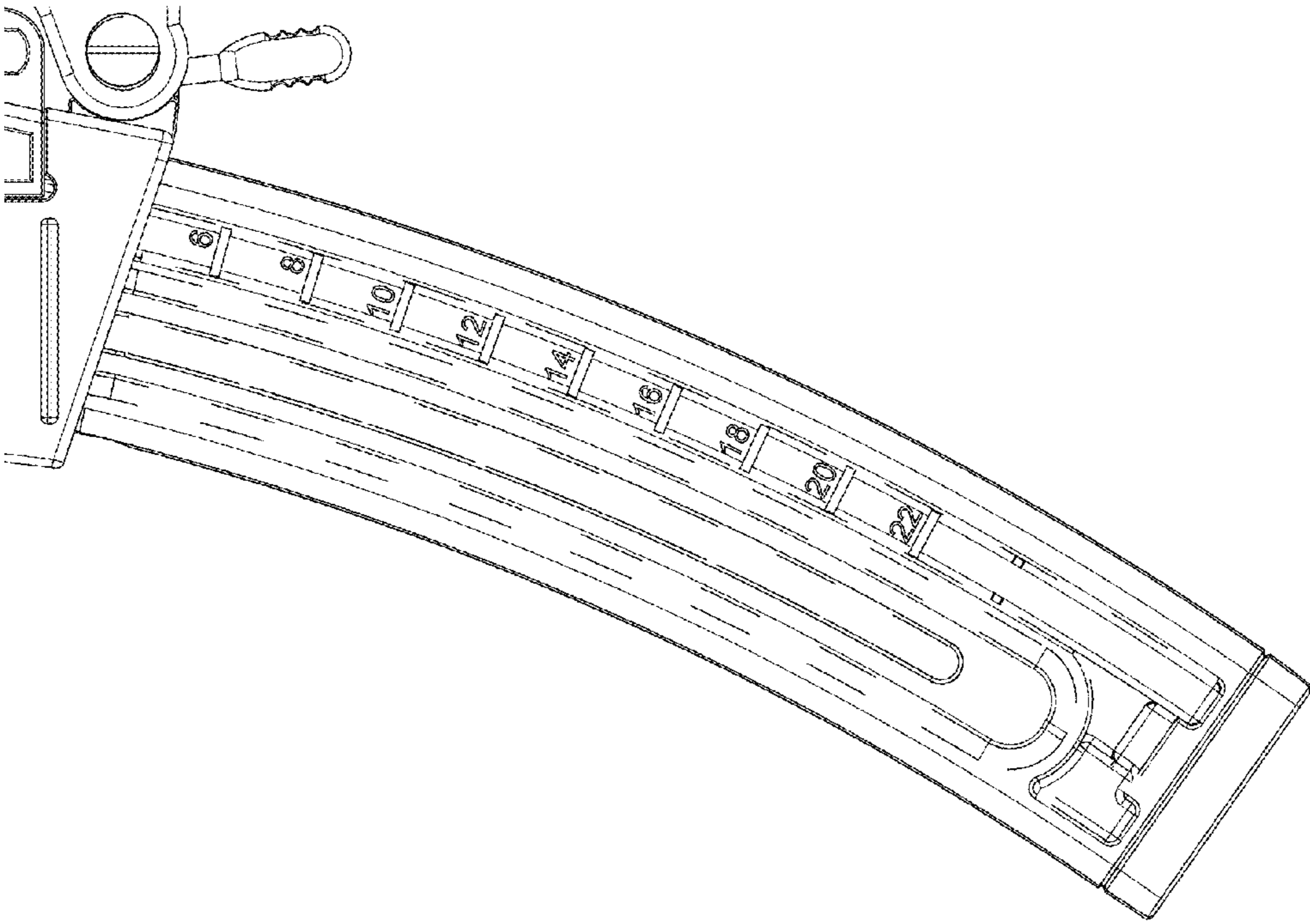


Fig. 9

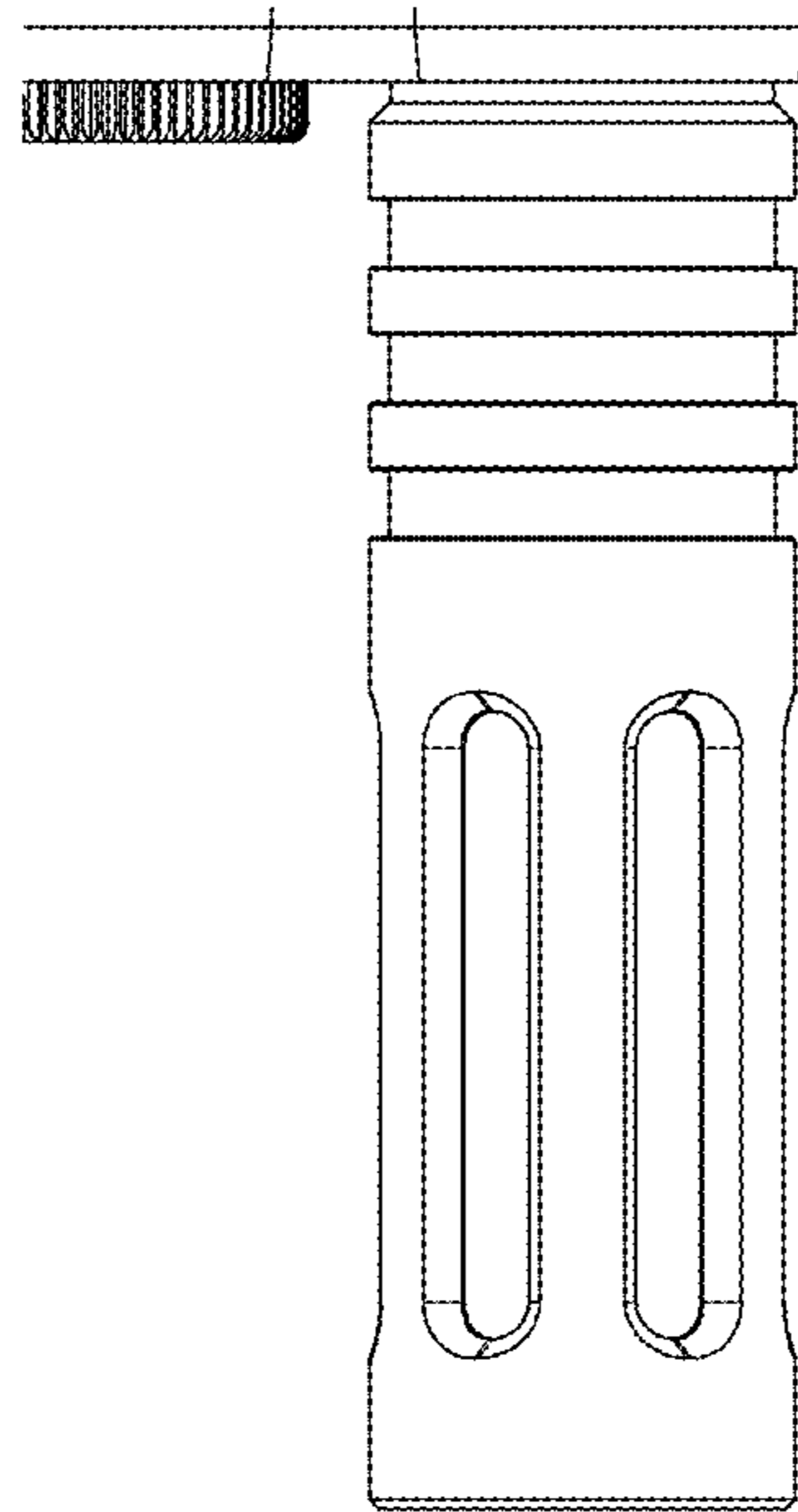


Fig. 10

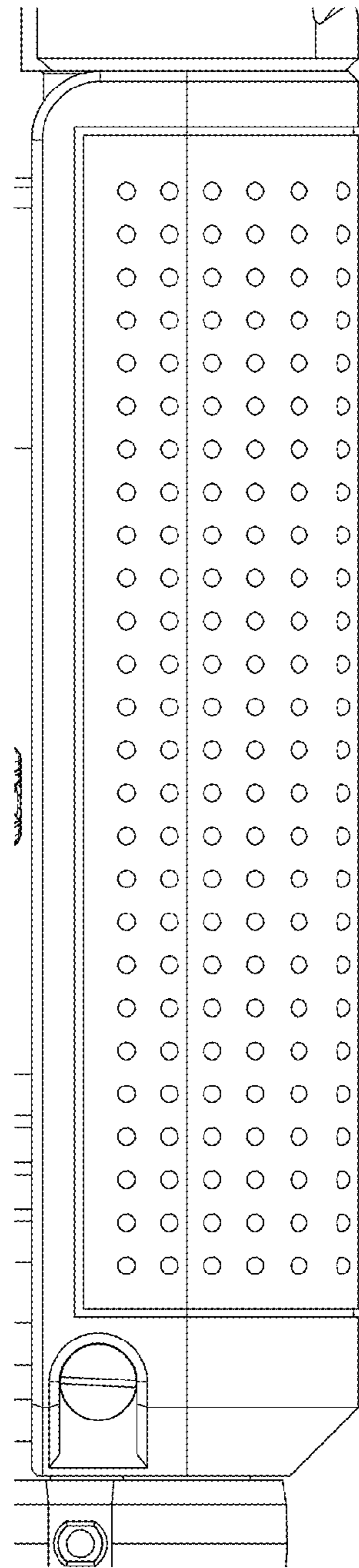


Fig. 11

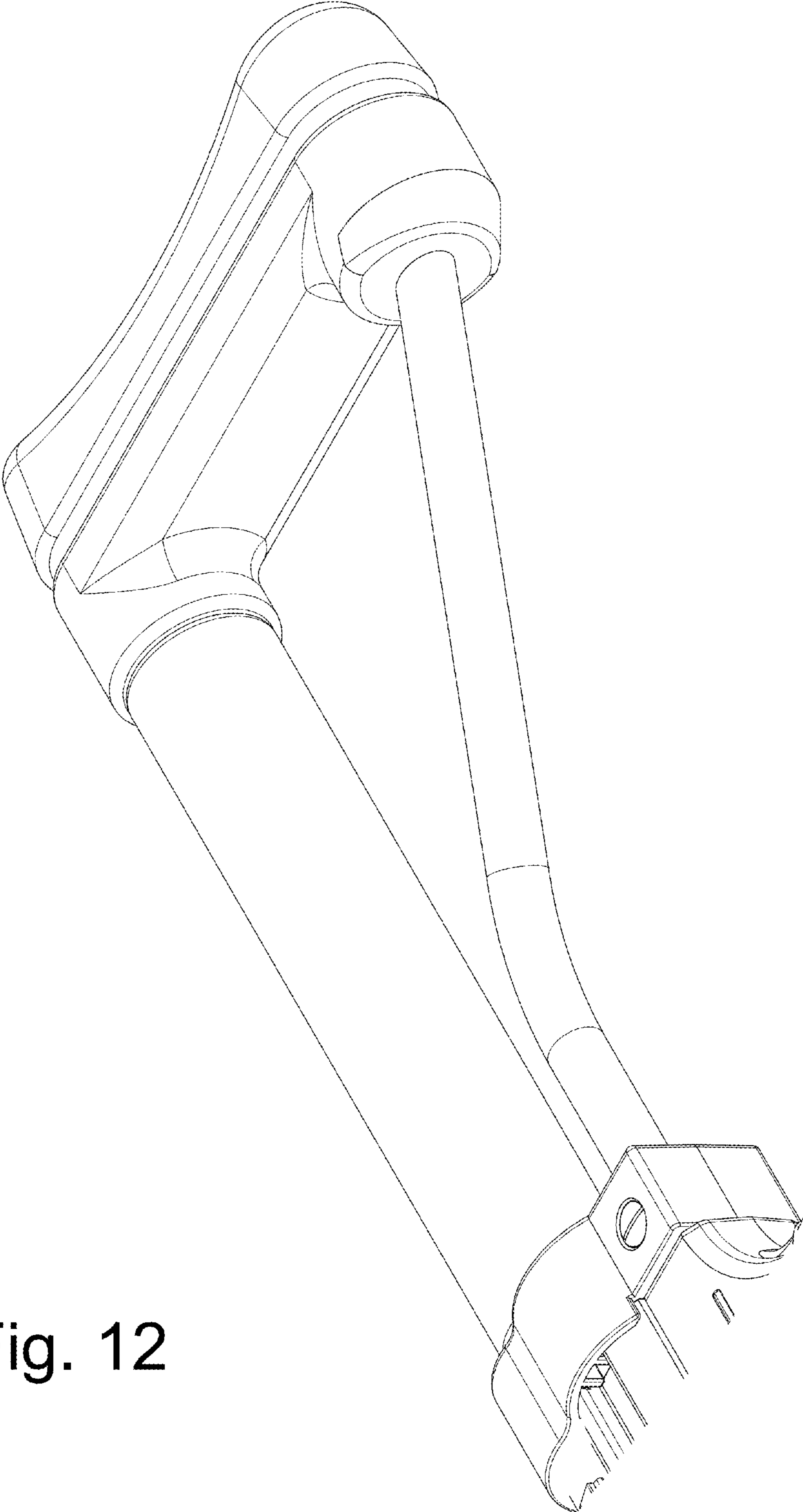


Fig. 12

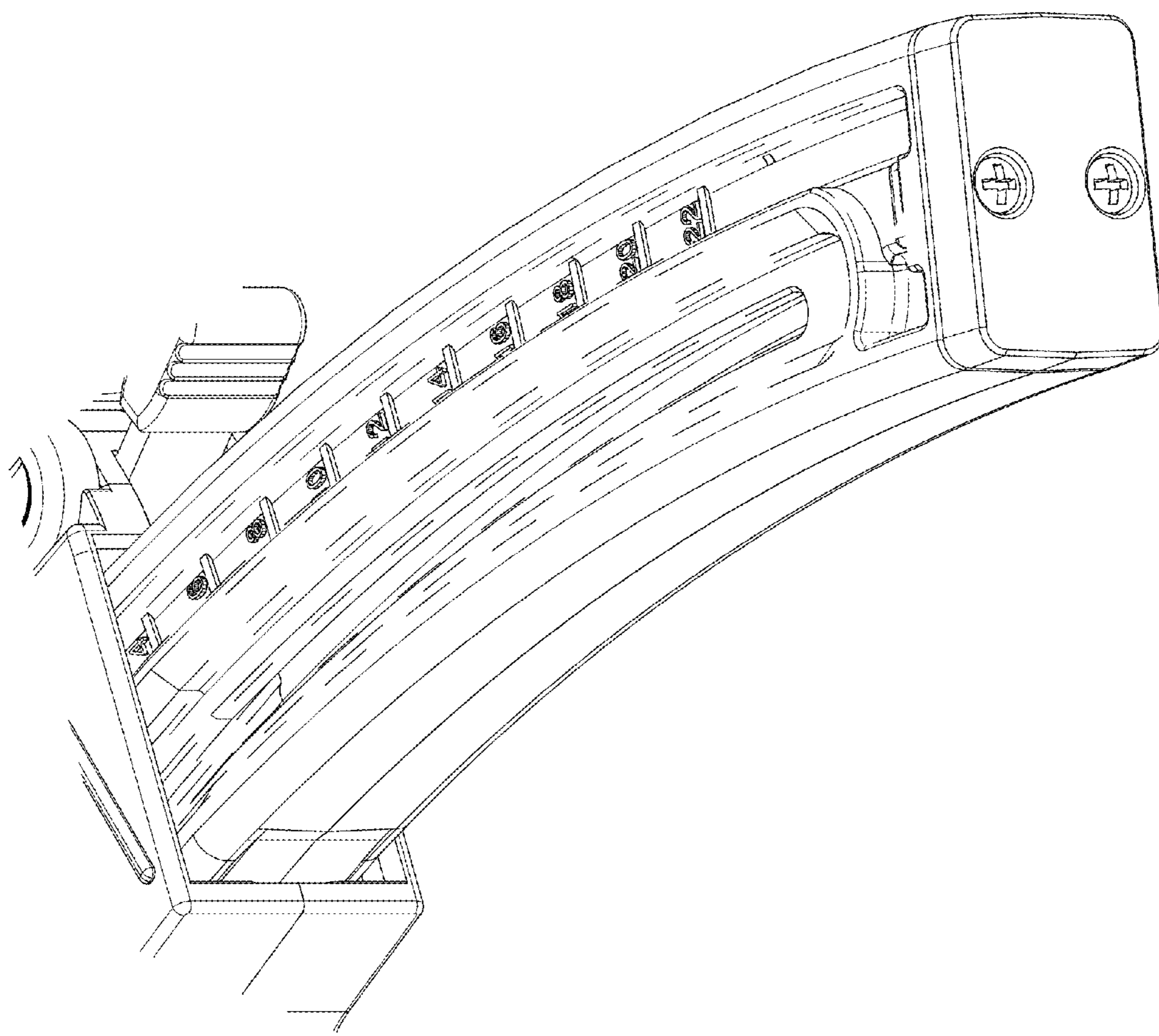


Fig. 13

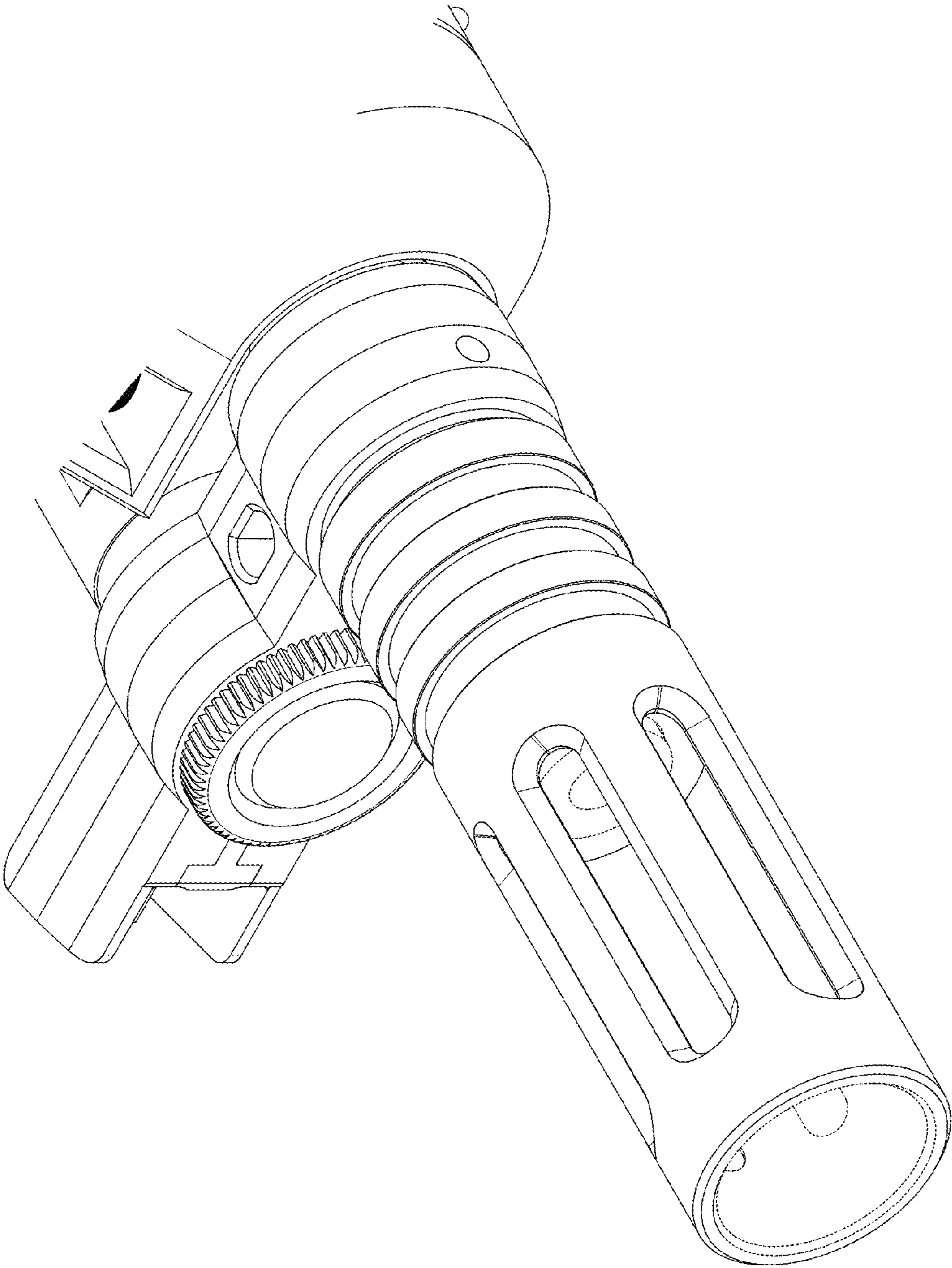


Fig. 14

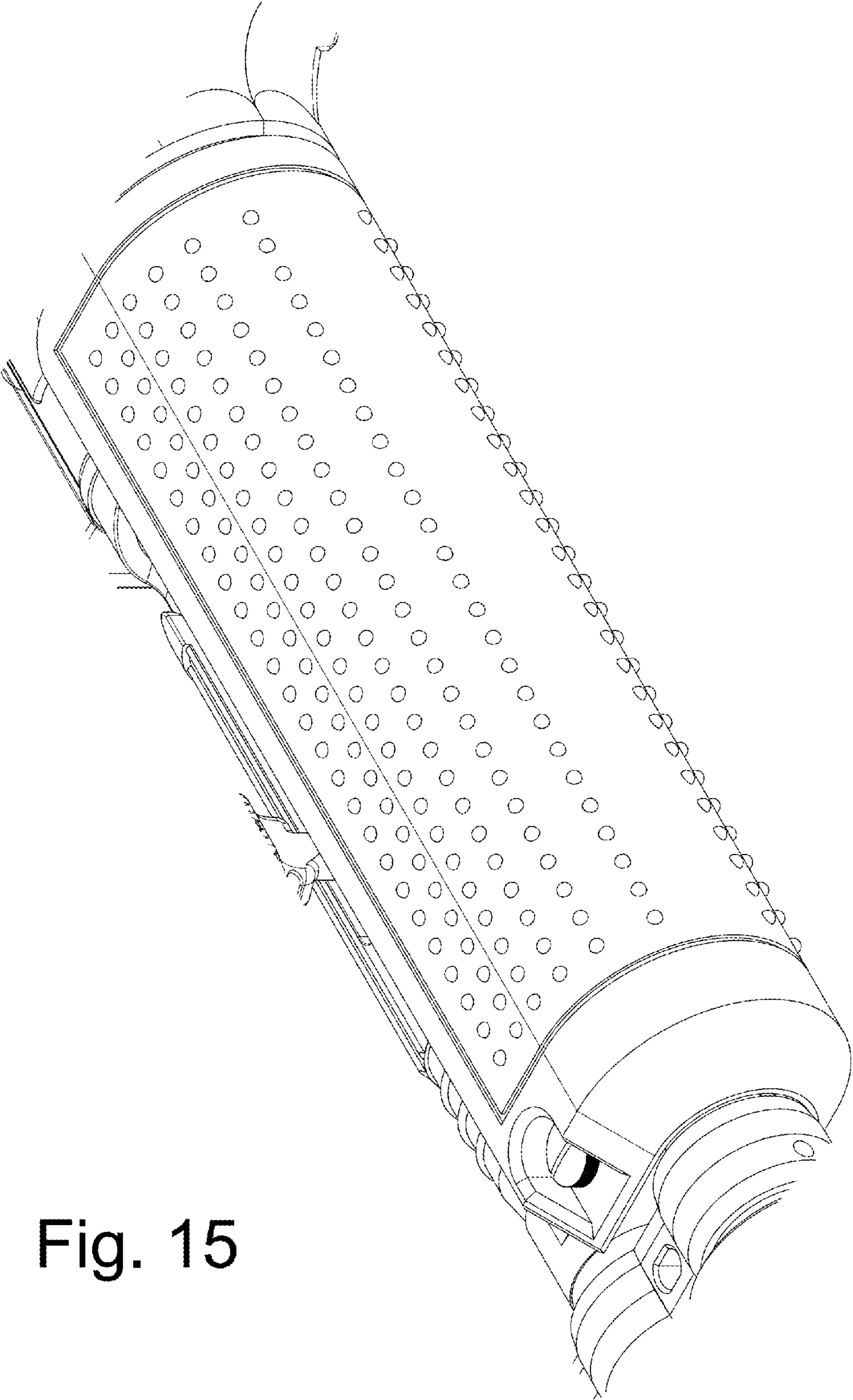


Fig. 15

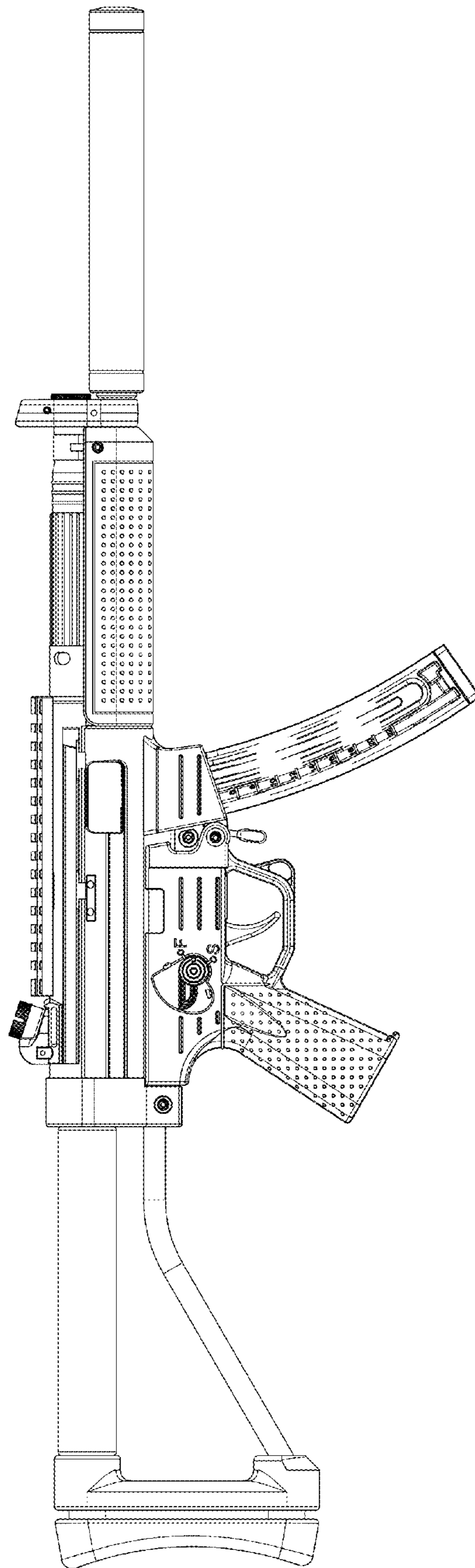


Fig. 16

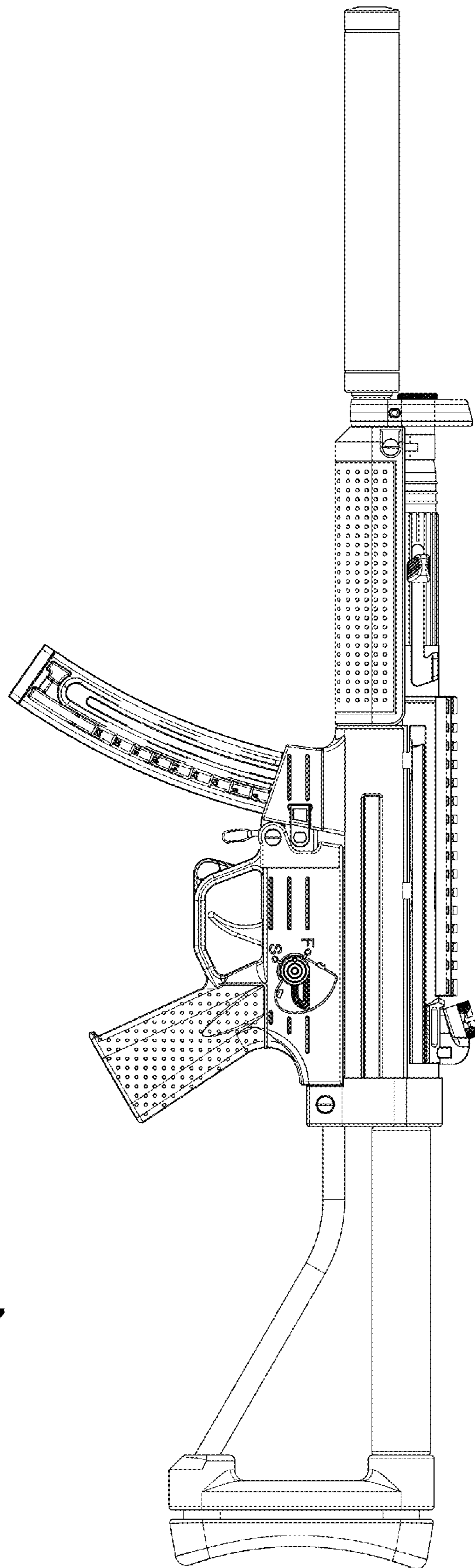


Fig. 17

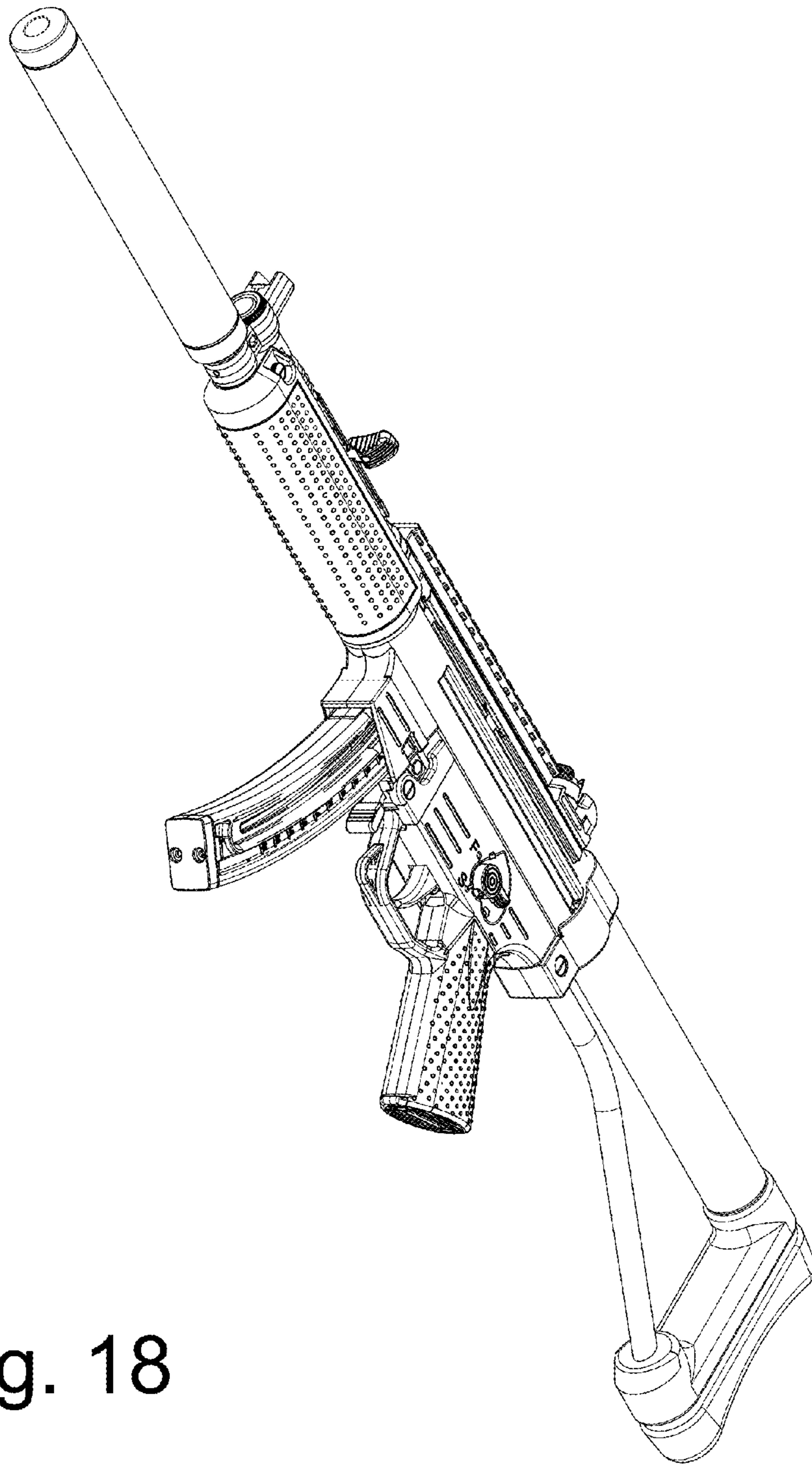


Fig. 18

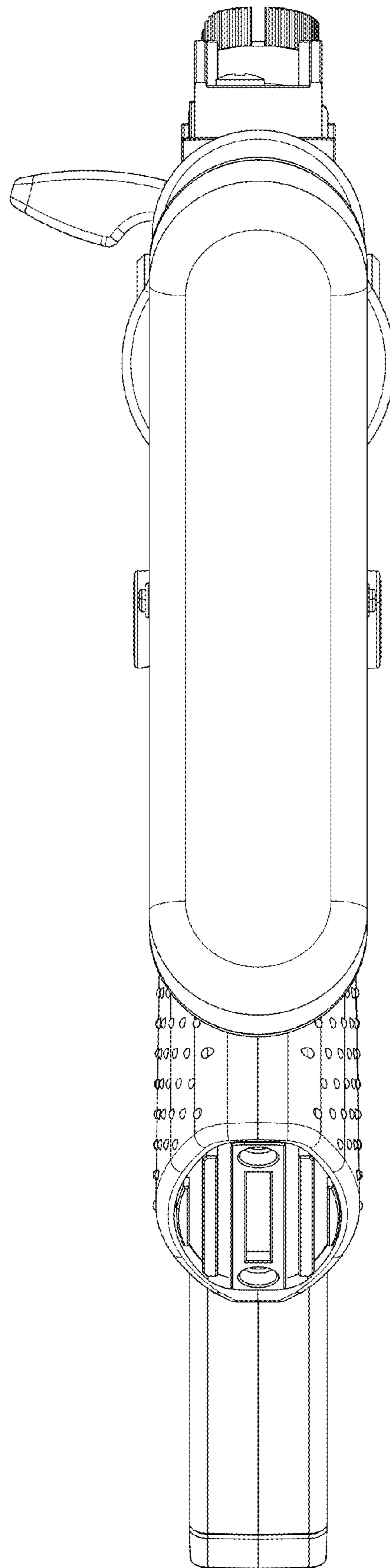


Fig. 19

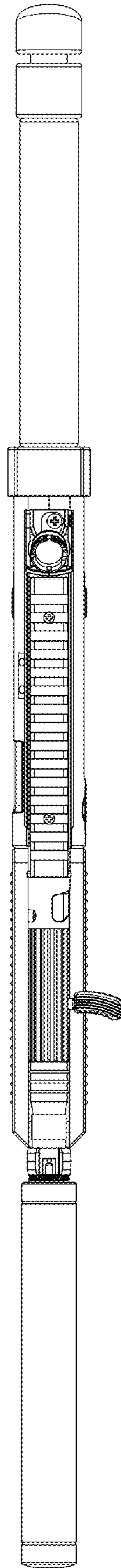


Fig. 20

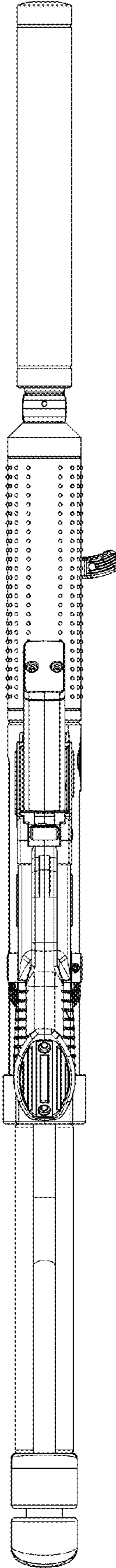


Fig. 21

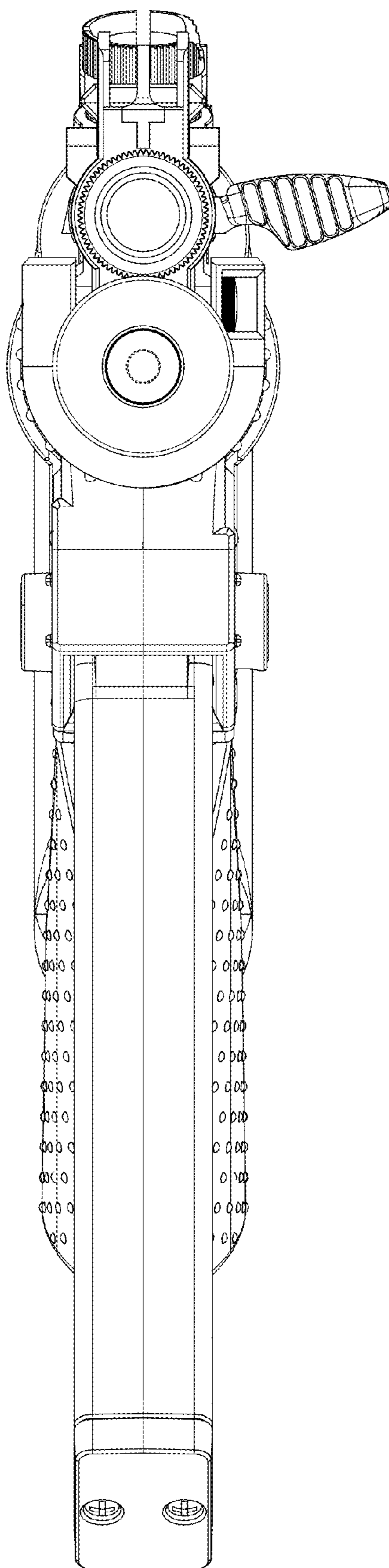


Fig. 22

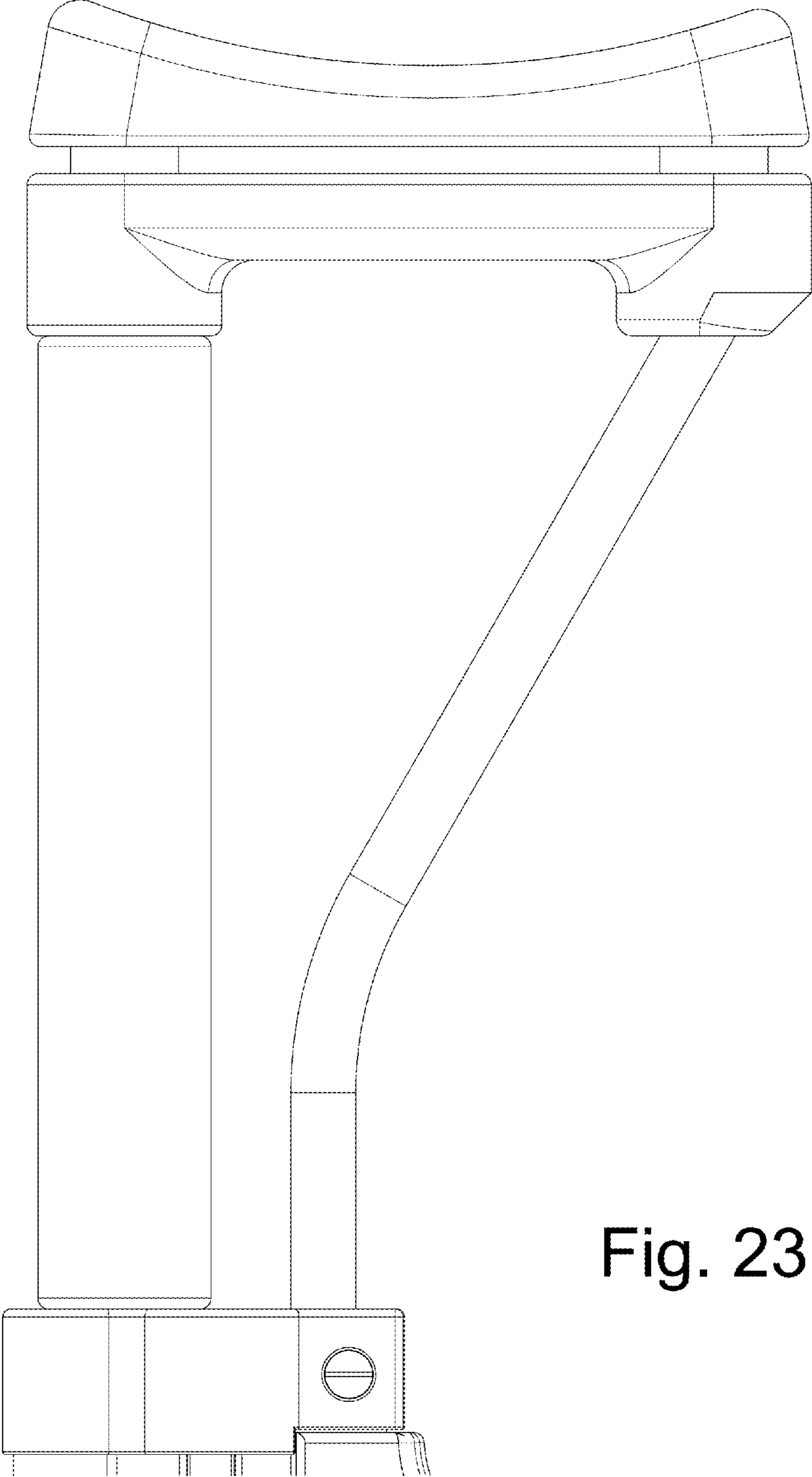


Fig. 23

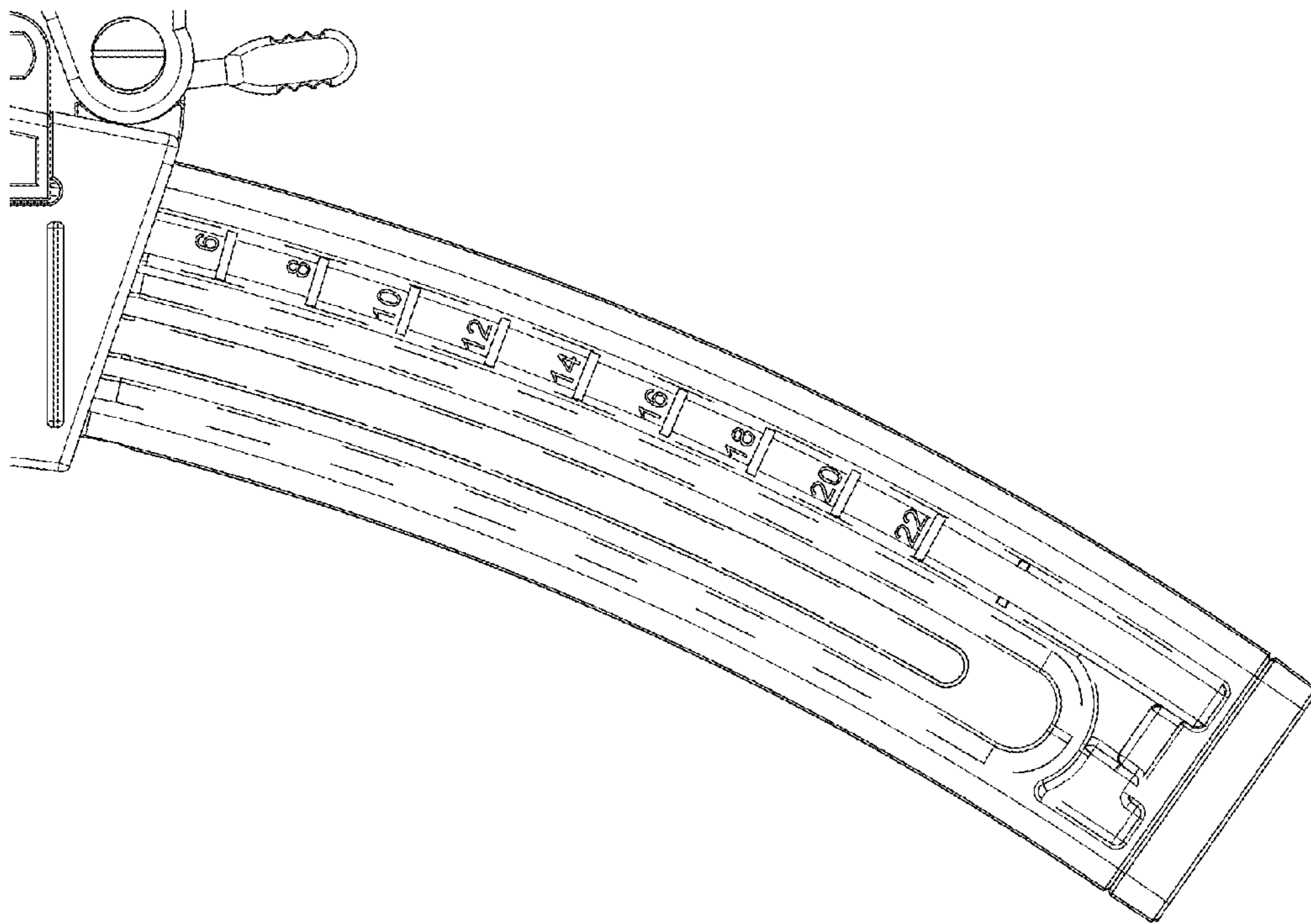


Fig. 24

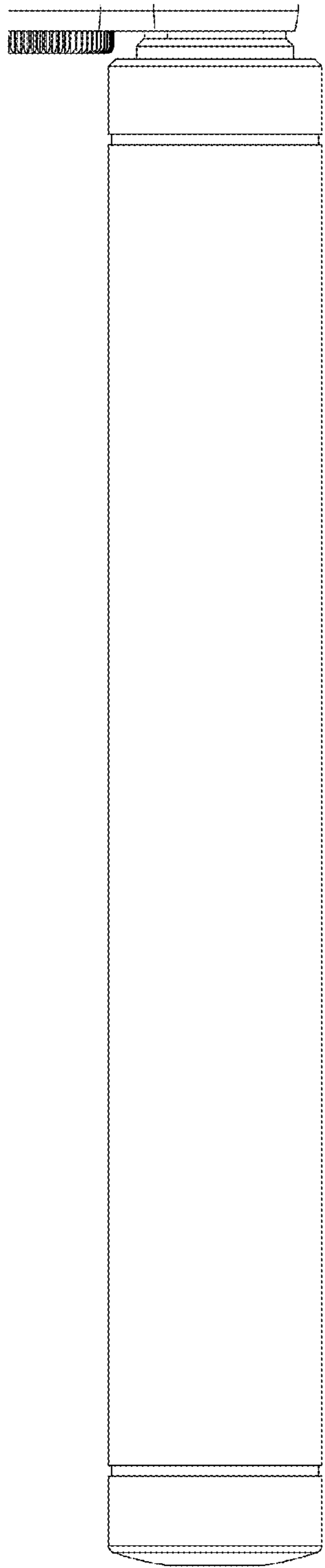


Fig. 25

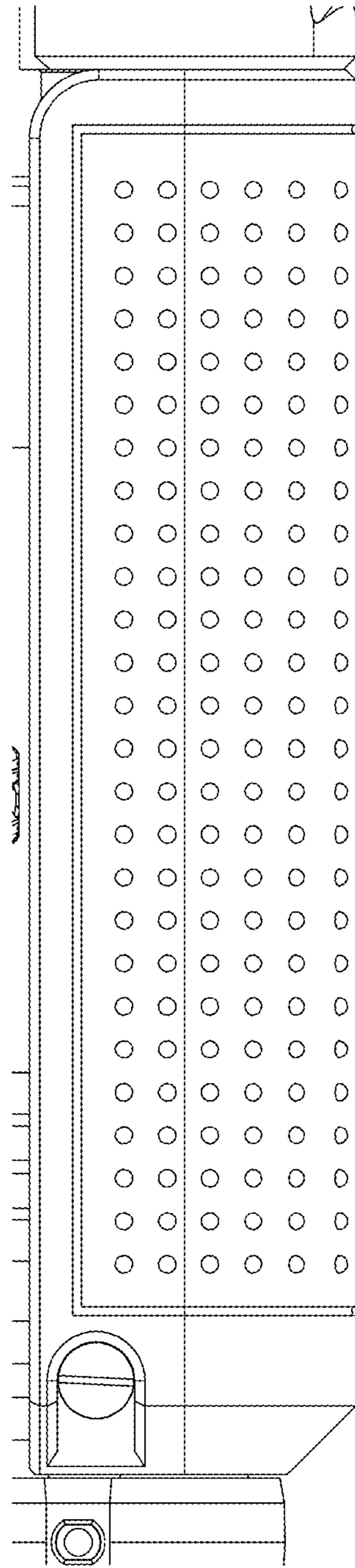


Fig. 26

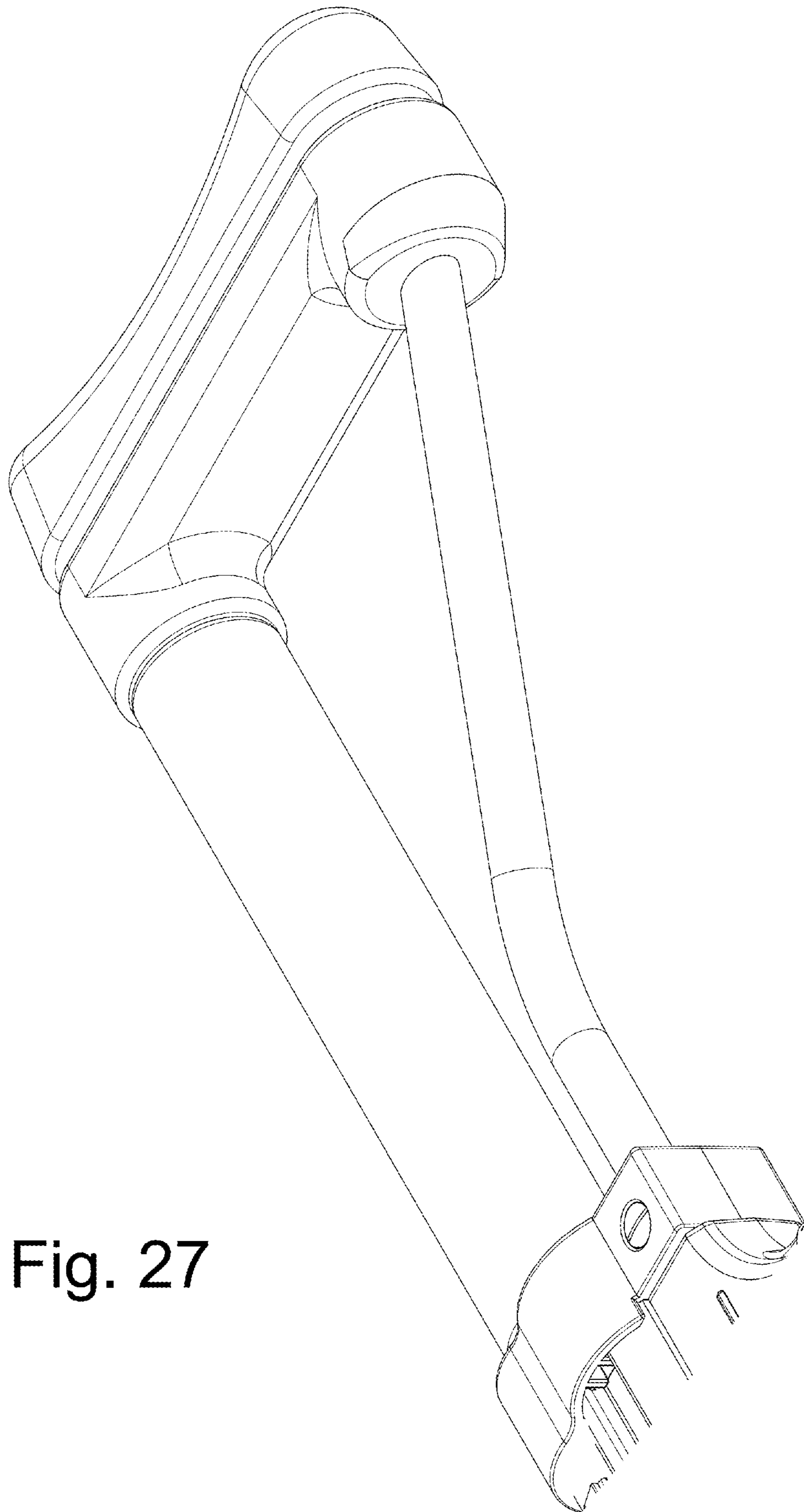


Fig. 27

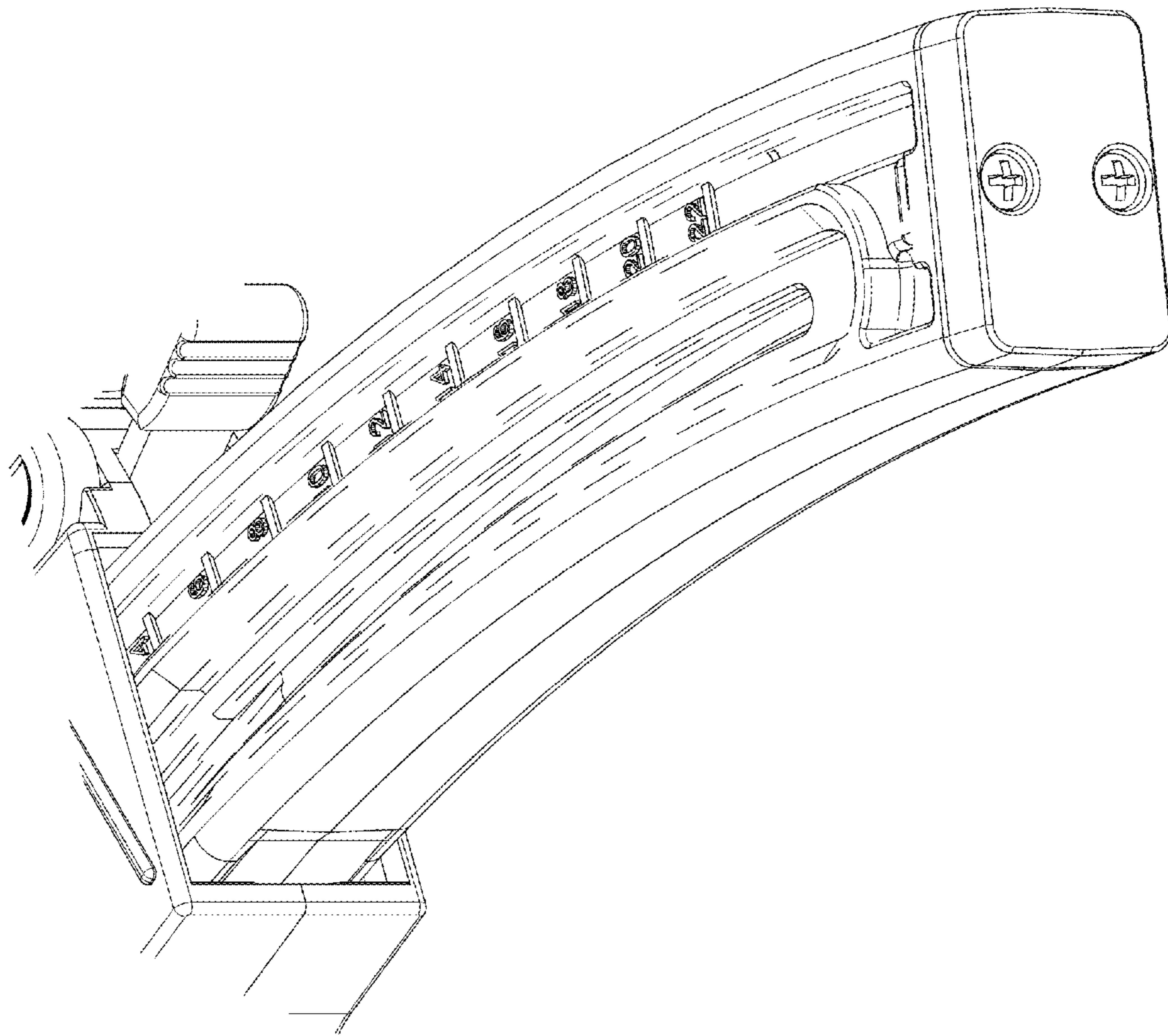


Fig. 28

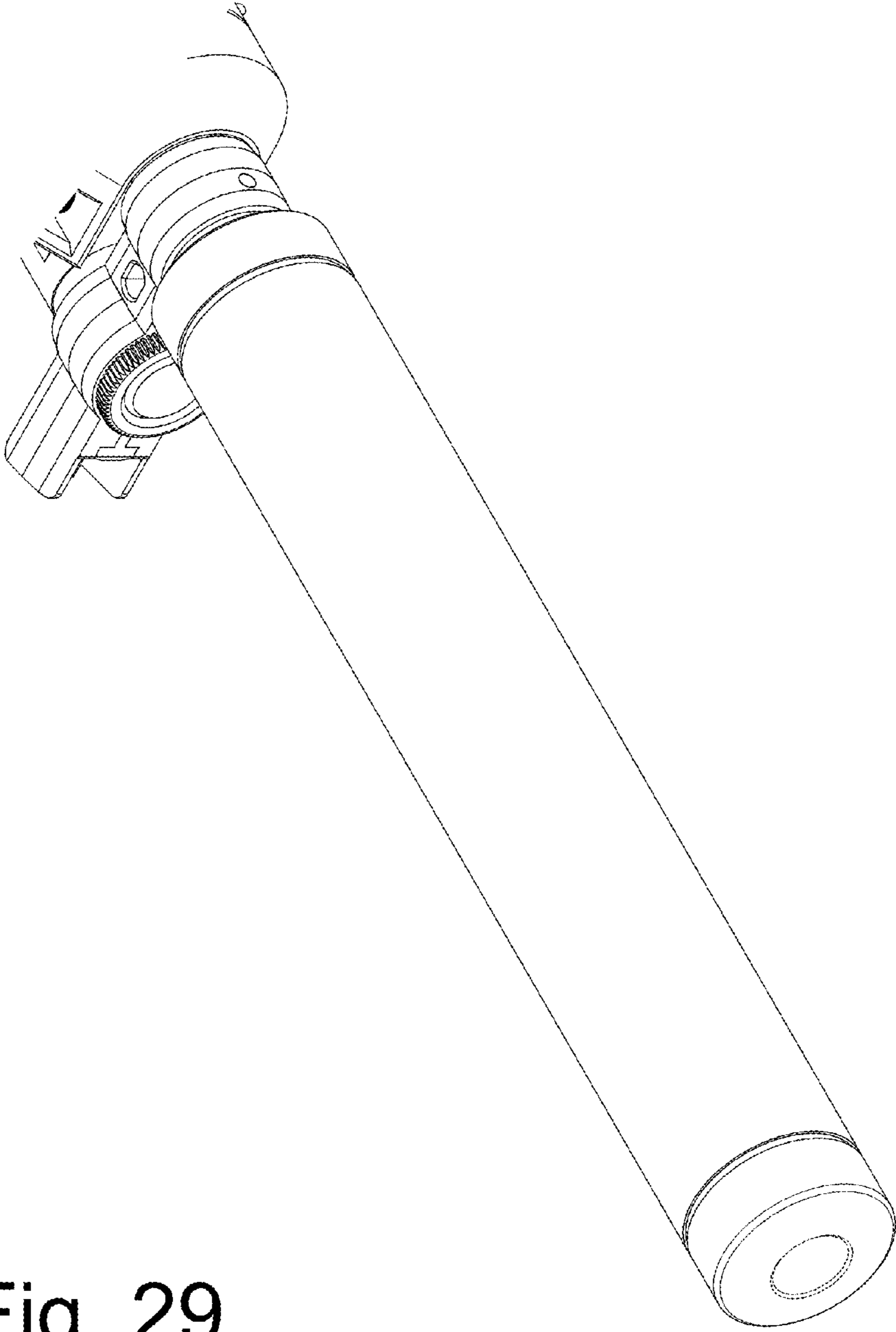


Fig. 29

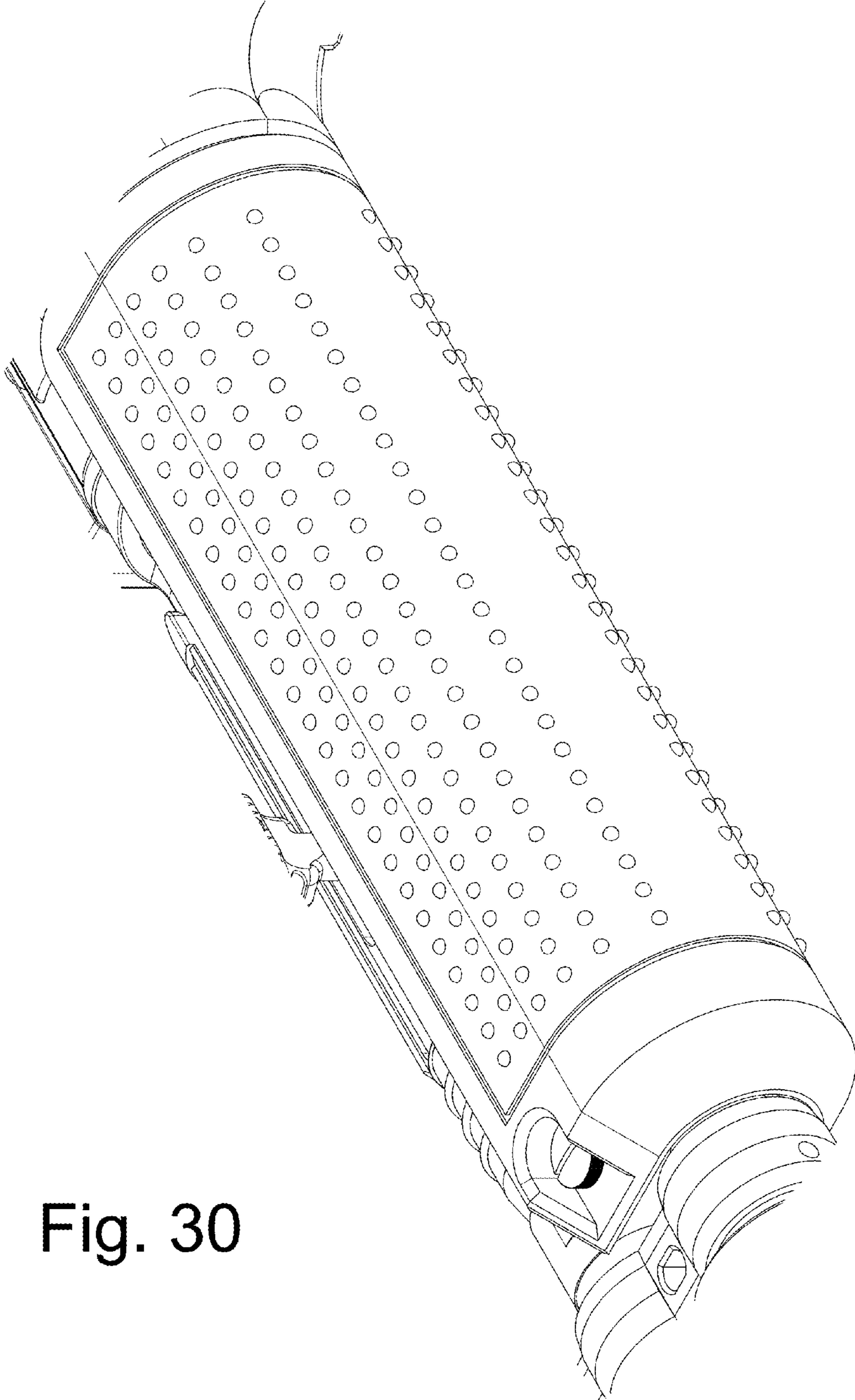


Fig. 30